

US00D525205S

(12) **United States Design Patent**
Miyamoto et al.

(10) **Patent No.:** **US D525,205 S**

(45) **Date of Patent:** **** Jul. 18, 2006**

(54) **ELECTRICAL CONNECTOR**

(75) Inventors: **Kunikazu Miyamoto**, Tokyo (JP);
Takeharu Naito, Tokyo (JP); **Kazuomi Sato**, Saitama (JP); **Kazuaki Ibaraki**, Tokyo (JP); **Masao Higuchi**, Tokyo (JP)

(73) Assignee: **Japan Aviation Electronics Industry, Limited**, Tokyo (JP)

(**) Term: **14 Years**

(21) Appl. No.: **29/220,303**

(22) Filed: **Dec. 29, 2004**

(30) **Foreign Application Priority Data**

Jul. 2, 2004 (JP) 2004-023099

(51) **LOC (8) Cl.** **13-03**

(52) **U.S. Cl.** **D13/147**

(58) **Field of Classification Search** D13/133,
D13/146-147, 154, 184, 199; D14/432-433,
D14/435; 439/155, 188, 326, 330-331, 489,
439/630, 638

See application file for complete search history.

(56) **References Cited**

U.S. PATENT DOCUMENTS

D488,780 S * 4/2004 Taguchi D13/147
D488,781 S * 4/2004 Taguchi D13/147

D499,380 S * 12/2004 Washino et al. D13/147
D503,680 S * 4/2005 Taguchi D13/147
D505,660 S * 5/2005 Washino et al. D13/147
2004/0136323 A1 * 7/2004 Taguchi 370/235
2005/0026505 A1 * 2/2005 Washino 439/630
2005/0032431 A1 * 2/2005 Washino et al. 439/630

* cited by examiner

Primary Examiner—Stella Reid
Assistant Examiner—Daniel Bui

(74) *Attorney, Agent, or Firm*—Collard & Roe, P.C.

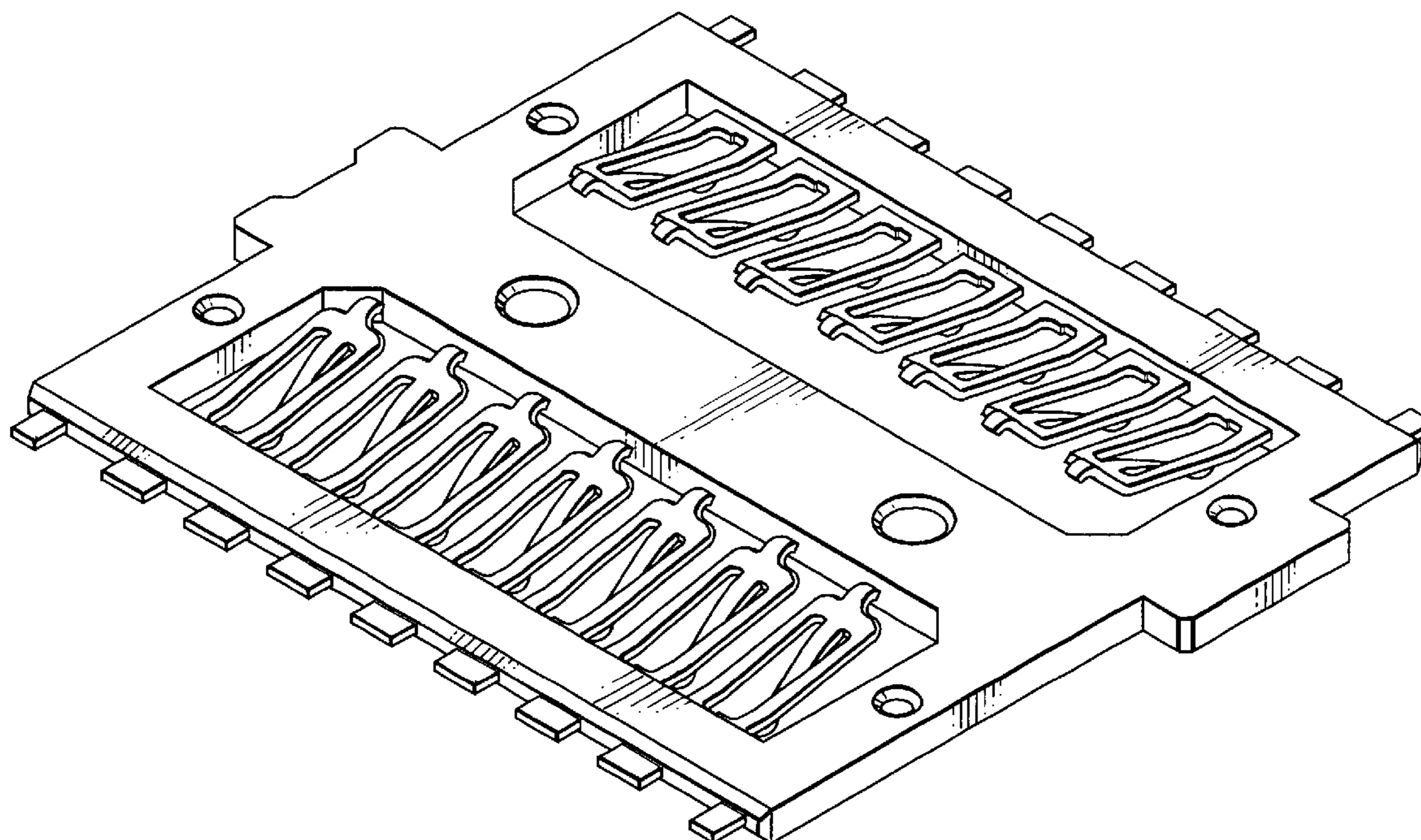
(57) **CLAIM**

The ornamental design for an electrical connector, as shown and described.

DESCRIPTION

FIG. 1 is a front elevational view of an electrical connector; FIG. 2 is a rear elevational view thereof; FIG. 3 is a right side elevational view thereof; FIG. 4 is a left side elevational view thereof; FIG. 5 is a top plan view thereof; FIG. 6 is a bottom plan view thereof; FIG. 7 is a cross-sectional view thereof along the line 7—7 of FIG. 1; FIG. 8 is a front, top, and right side perspective view thereof; and, FIG. 9 is a rear, bottom, and right side perspective view thereof.

1 Claim, 5 Drawing Sheets



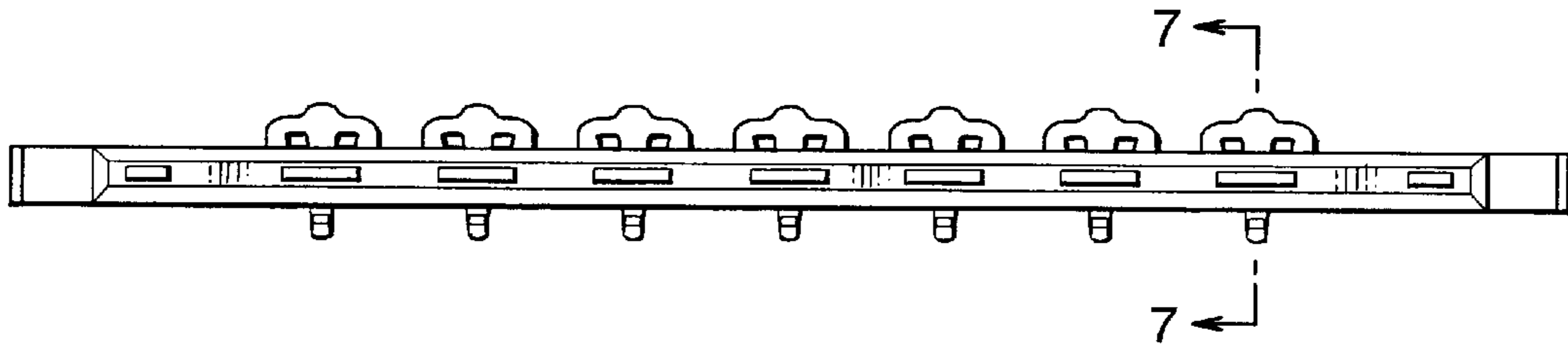


FIG. 1

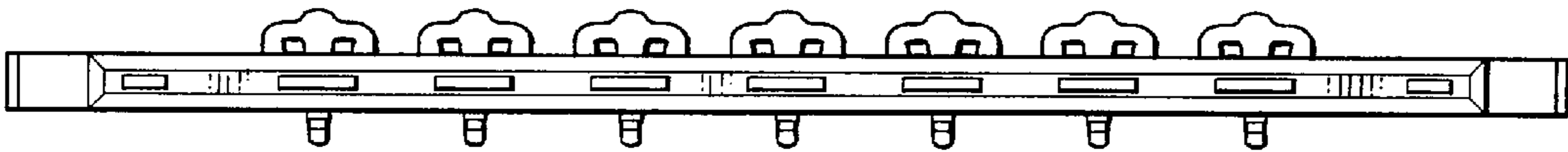


FIG. 2

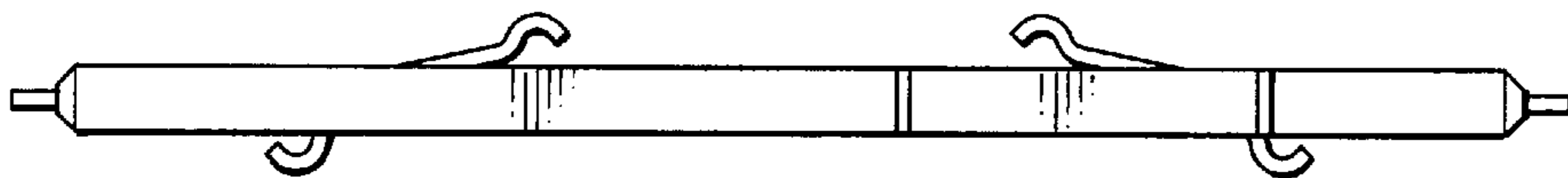


FIG. 3

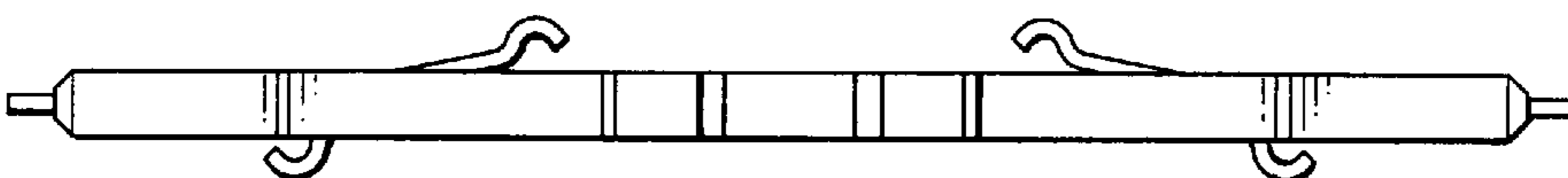


FIG. 4

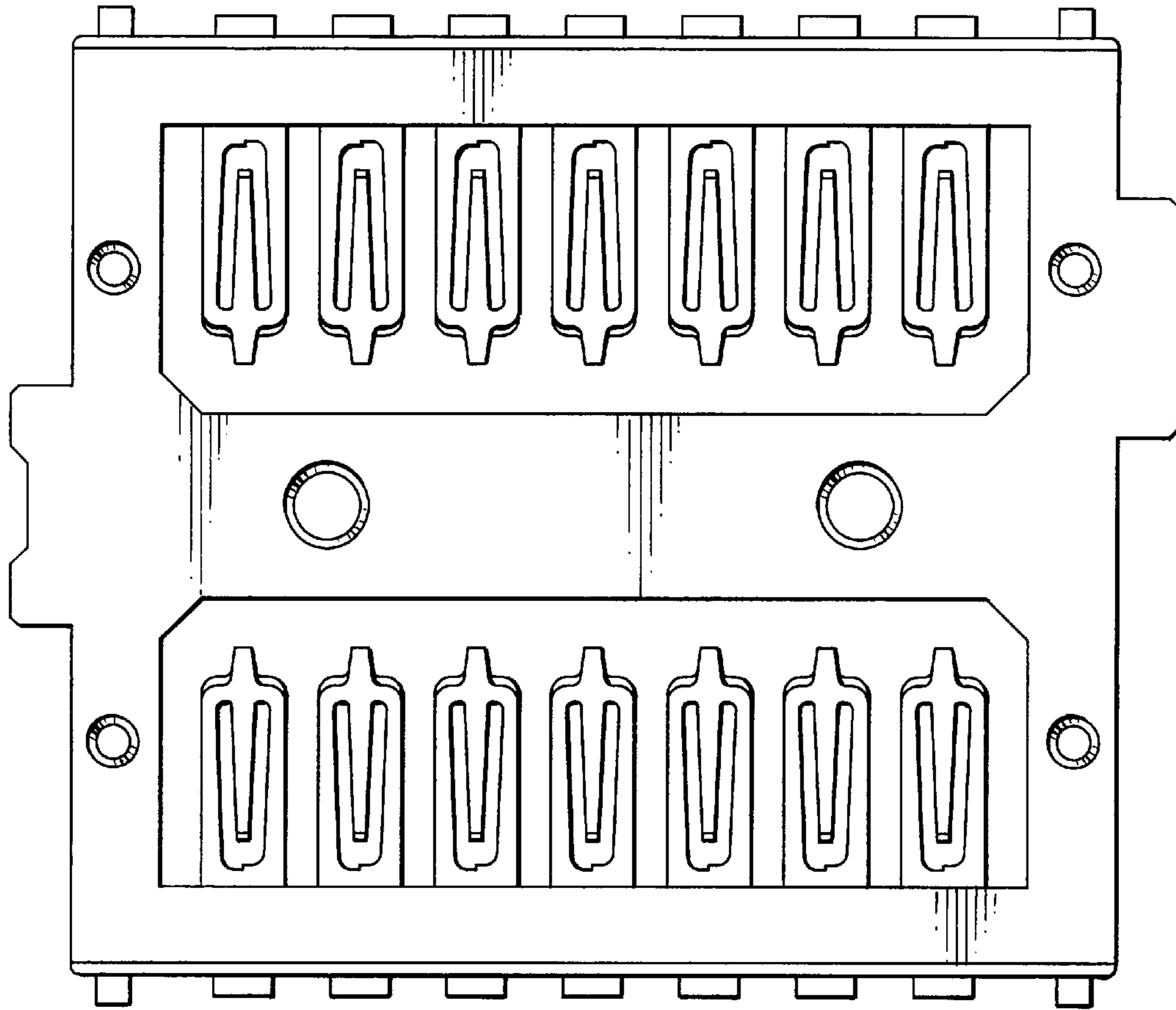


FIG. 5

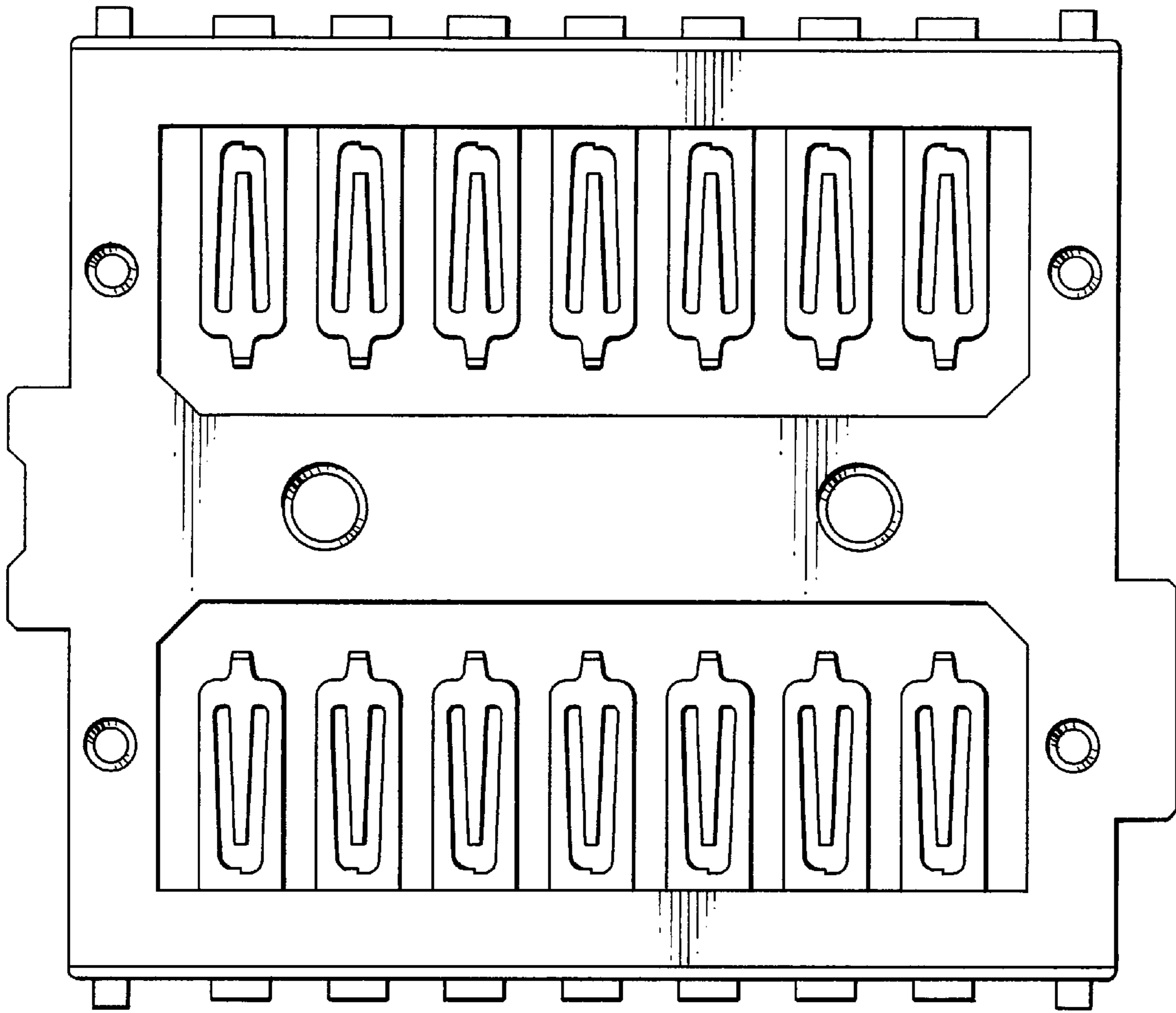


FIG. 6

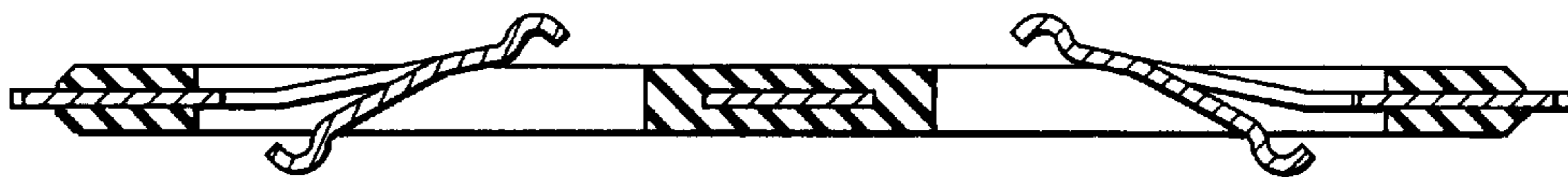


FIG. 7

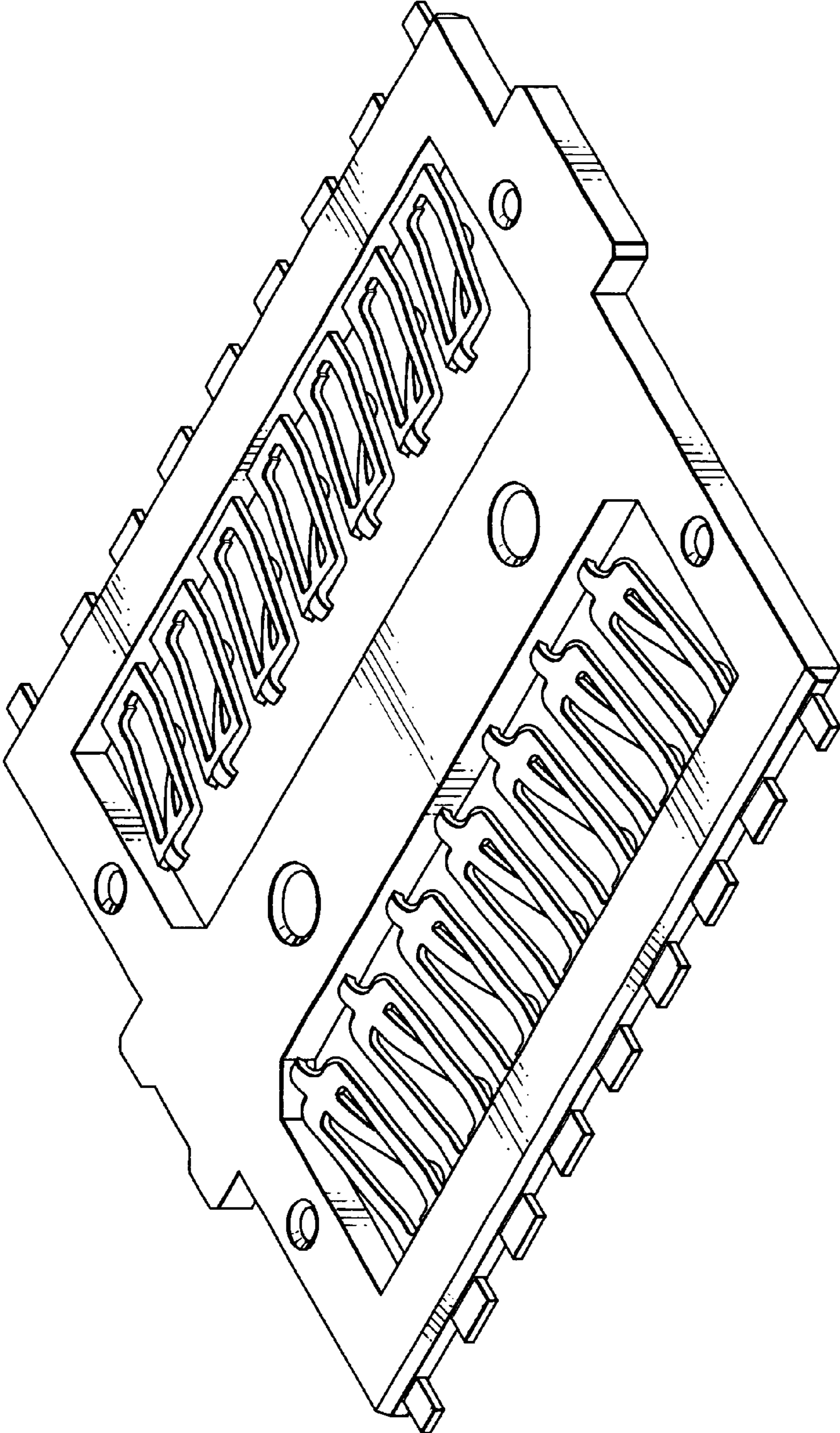


FIG. 8

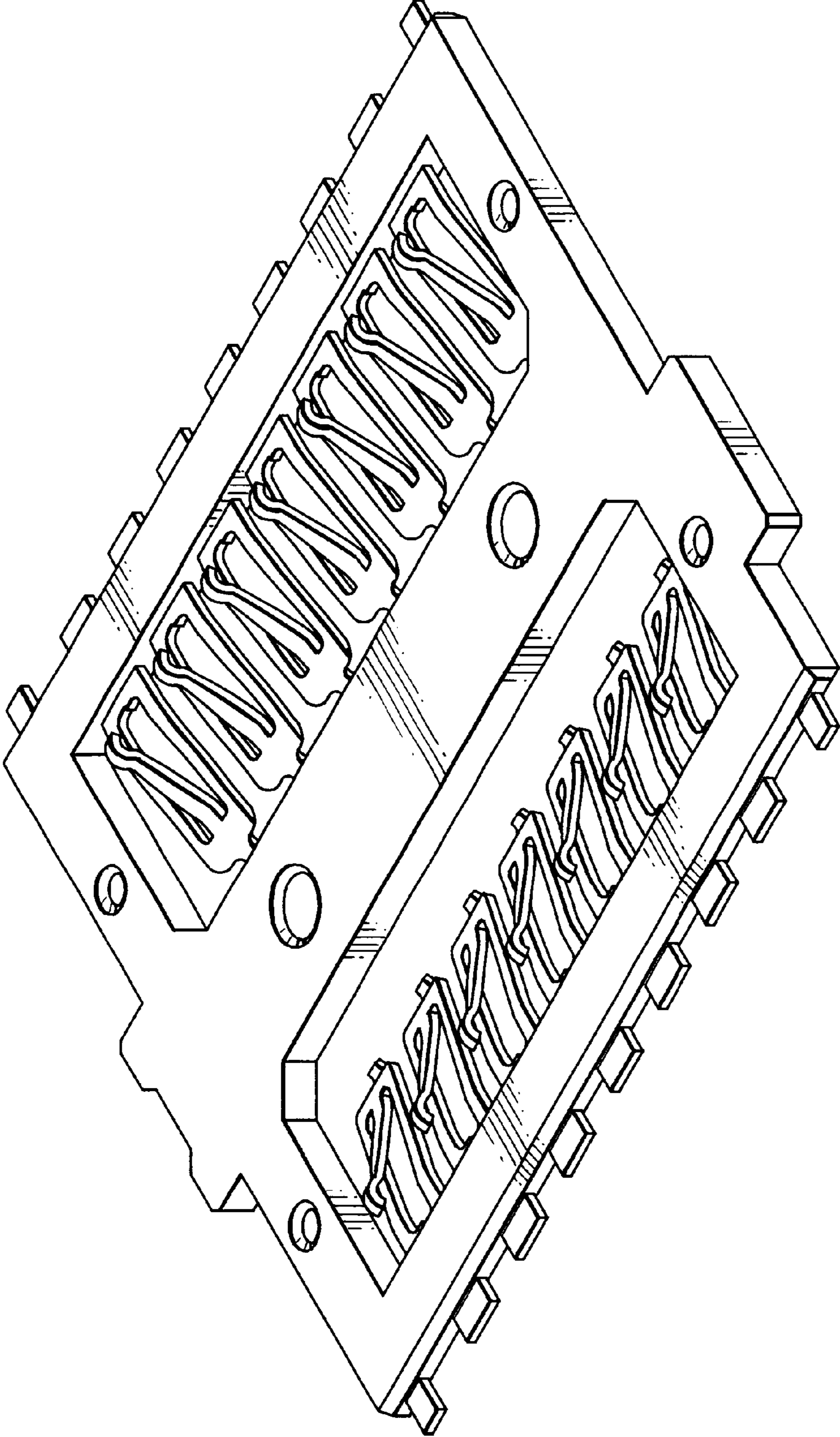


FIG. 9