



US00D525204S

(12) **United States Design Patent** (10) **Patent No.:** **US D525,204 S**
Takaya et al. (45) **Date of Patent:** **** Jul. 18, 2006**

(54) **ELECTRIC CONNECTOR**

(75) Inventors: **Kouetsu Takaya**, Saitama (JP);
Toshikatsu Ogami, Saitama (JP)

(73) Assignee: **Fuji Electric Co., Ltd.**, Kanagawa (JP)

(**) Term: **14 Years**

(21) Appl. No.: **29/239,965**

(22) Filed: **Oct. 6, 2005**

Related U.S. Application Data

(62) Division of application No. 29/185,516, filed on Jun. 27, 2003, now Pat. No. Des. 515,506.

(30) **Foreign Application Priority Data**

Dec. 27, 2002	(JP)	2002-36498
Dec. 27, 2002	(JP)	2002-36508
Dec. 27, 2002	(JP)	2002-36511
Jan. 17, 2003	(JP)	2003-969

(51) **LOC (8) Cl.** **13-03**

(52) **U.S. Cl.** **D13/146; D13/147**

(58) **Field of Classification Search** D13/146,
D13/123, 133, 147, 184, 199; 439/49, 53,
439/78, 81-82, 397, 399-400, 660

See application file for complete search history.

Primary Examiner—Stella Reid

Assistant Examiner—Daniel Bui

(74) *Attorney, Agent, or Firm*—Jason A. Bernstein; Powell Goldstein LLP

(57) **CLAIM**

The ornamental design for an electric connector, as shown and described.

DESCRIPTION

FIG. 1 is a perspective view of an electric connector showing our new design;

FIG. 2 is a top plan view thereof;

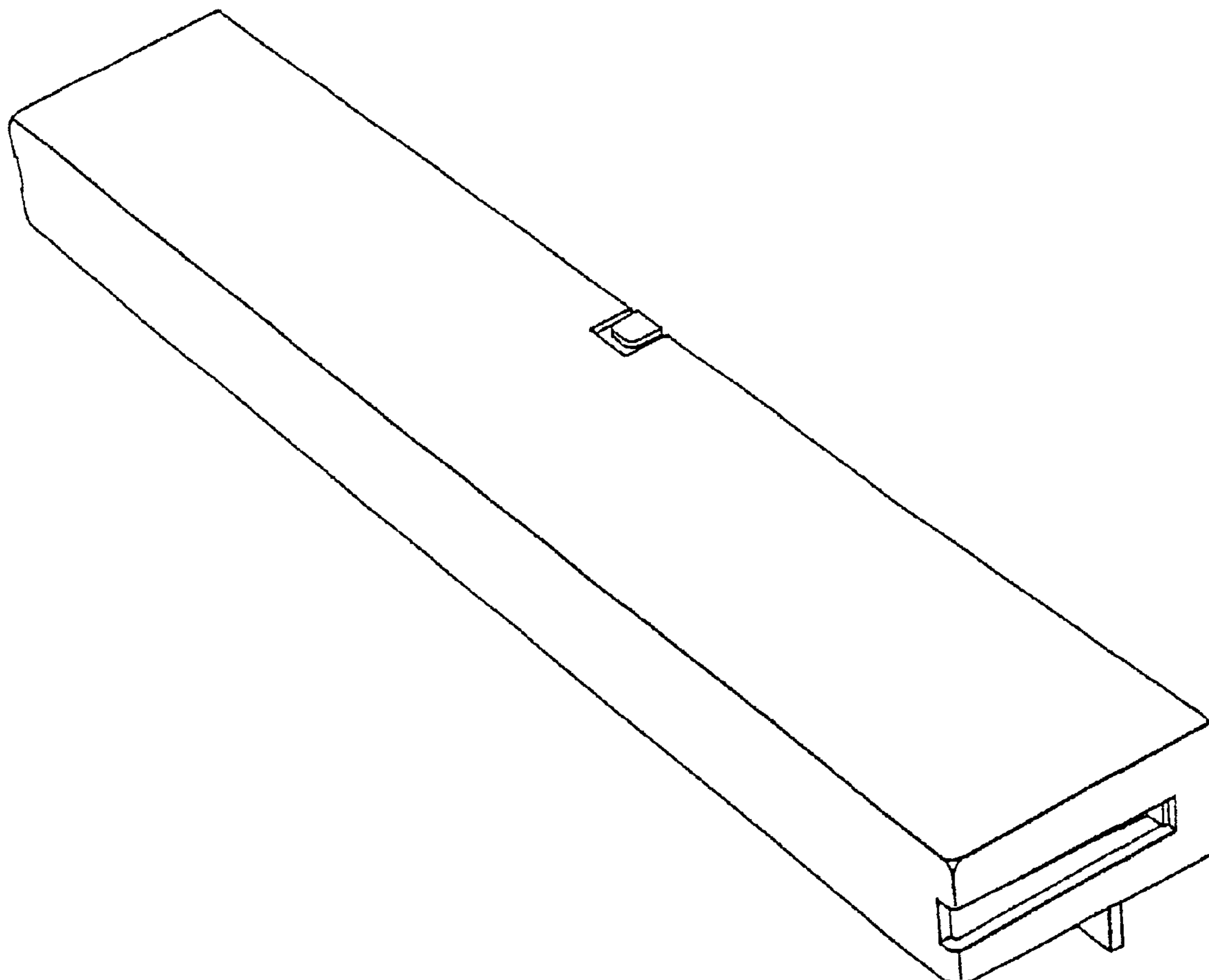
FIG. 3 is a bottom plan view thereof;

FIG. 4 is a front side elevation view thereof;

FIG. 5 is a rear side elevation view thereof; and,

FIG. 6 is a left side elevation view thereof.

1 Claim, 2 Drawing Sheets



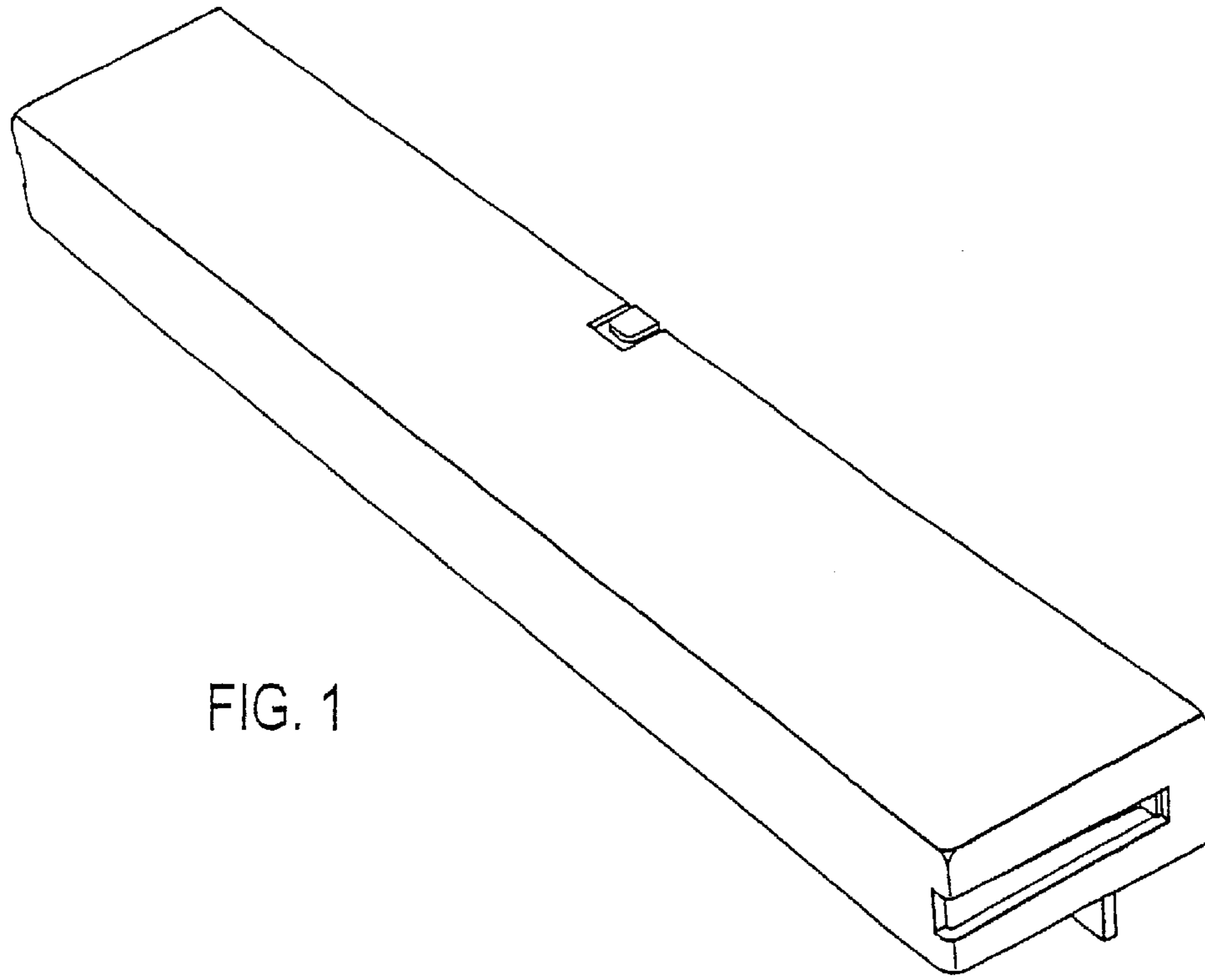


FIG. 1

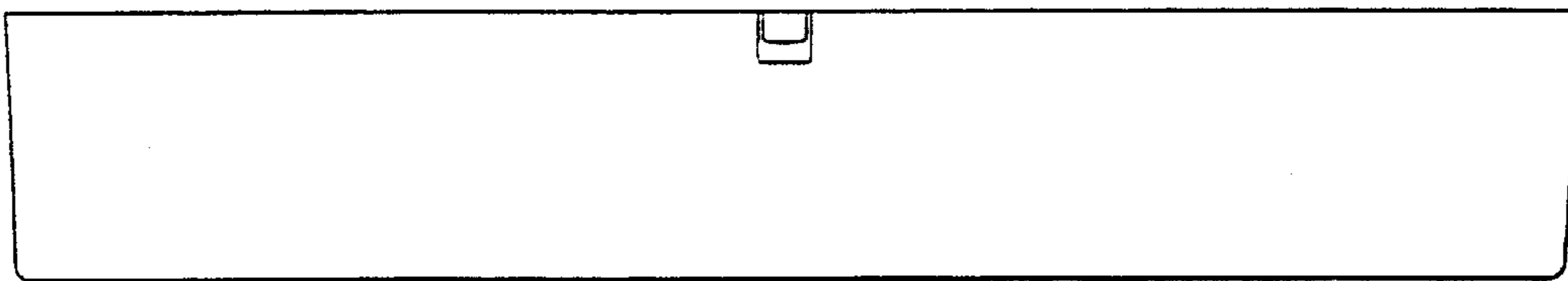


FIG. 2

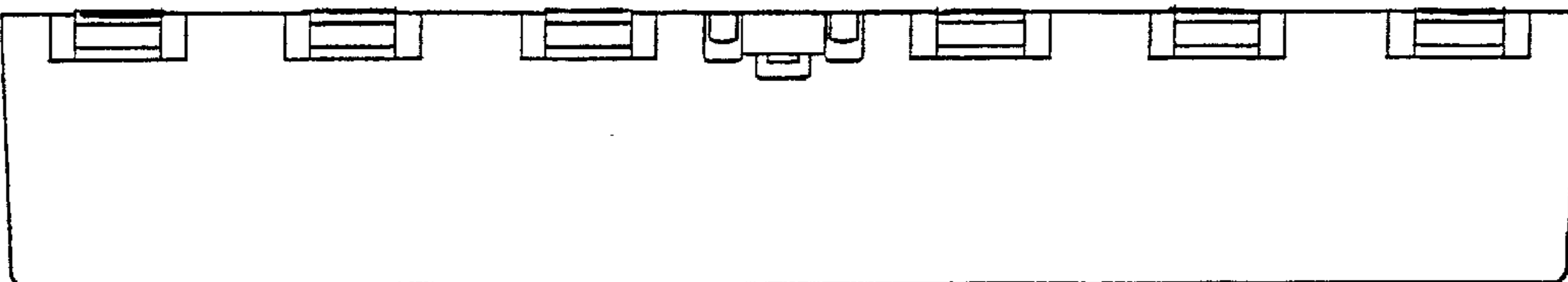


FIG. 3

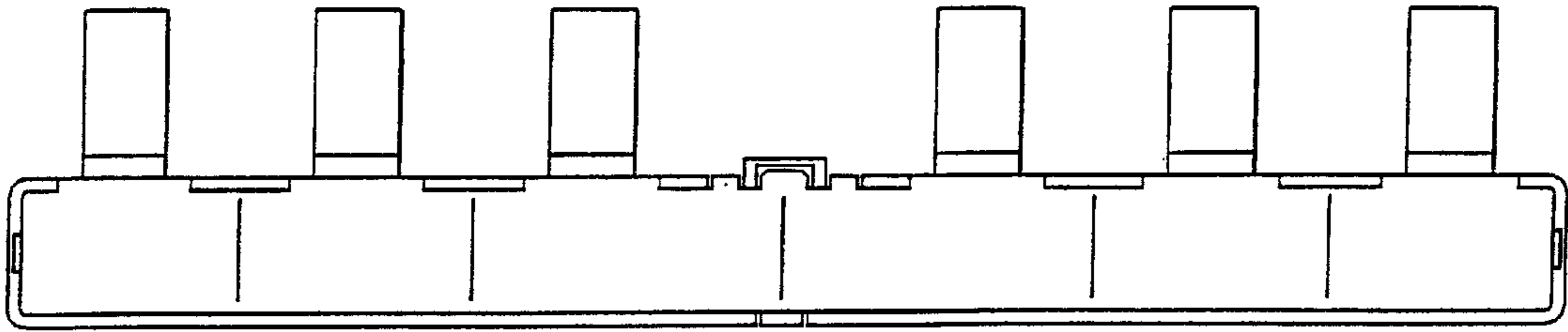


FIG. 4

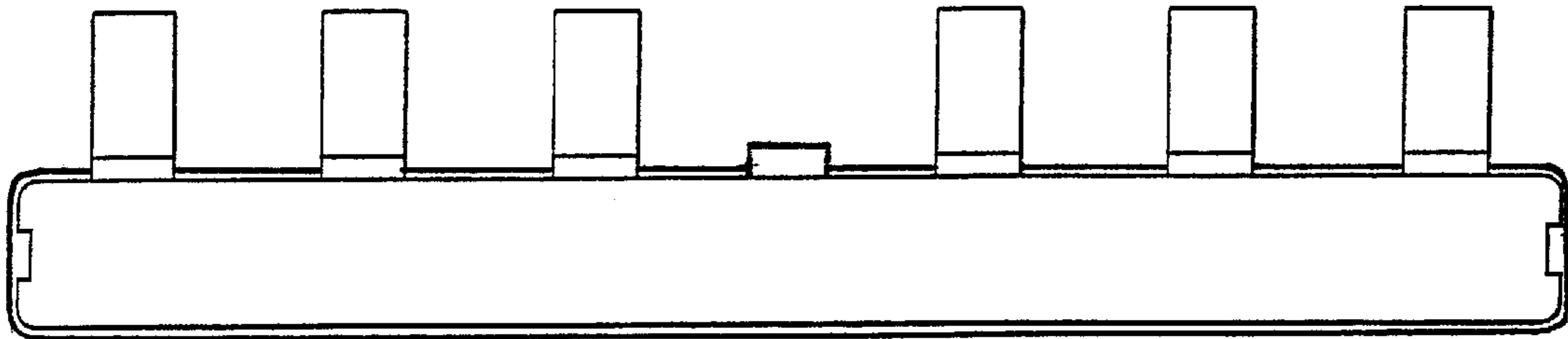


FIG. 5

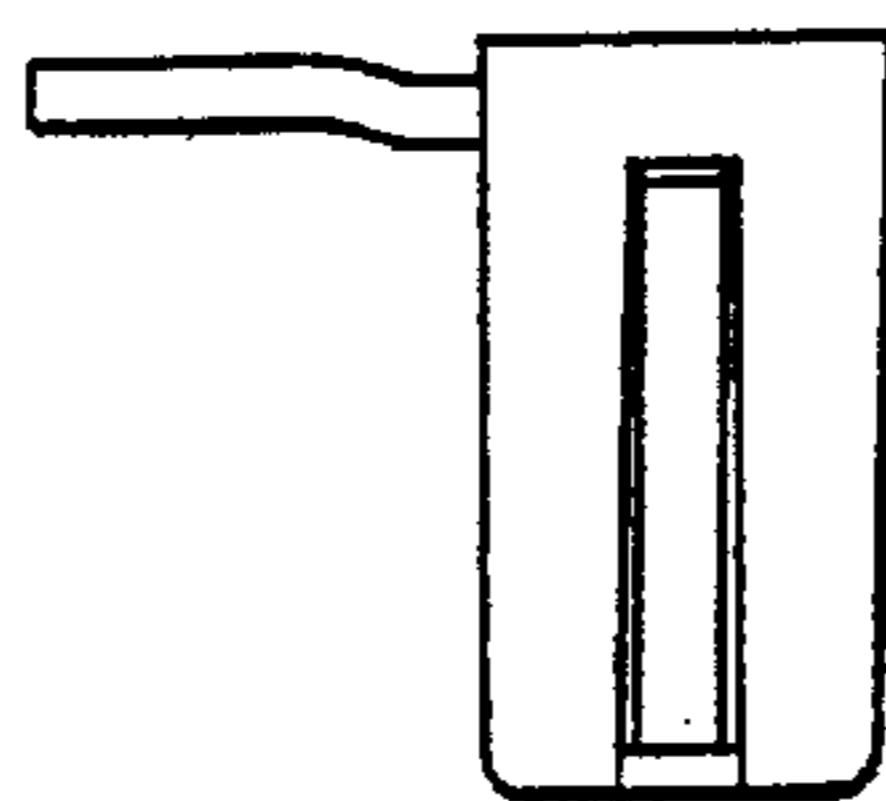


FIG. 6