



US00D525203S

(12) **United States Design Patent**  
**Bihrer**

(10) **Patent No.:** **US D525,203 S**

(45) **Date of Patent:** **\*\* Jul. 18, 2006**

(54) **ELECTRICAL CONNECTOR**

(75) Inventor: **Markus Bihrer**, Althengstett (DE)

(73) Assignee: **U.I. Lapp GmbH**, Stuttgart (DE)

(\*\*) Term: **14 Years**

(21) Appl. No.: **29/232,576**

(22) Filed: **Jun. 20, 2005**

**Related U.S. Application Data**

(62) Division of application No. 29/203,565, filed on Apr. 15, 2004.

(30) **Foreign Application Priority Data**

Oct. 16, 2003 (EM) ..... 000088430

(51) **LOC (8) Cl.** ..... **13-03**

(52) **U.S. Cl.** ..... **D13/146**

(58) **Field of Classification Search** ..... D13/123,  
D13/133, 146-147, 154, 184, 199; 285/9.2,  
285/81, 284.1, 286.1, 324, 412; 439/164,  
439/259, 262, 310, 338, 344, 378-379, 891  
See application file for complete search history.

(56) **References Cited**

**U.S. PATENT DOCUMENTS**

4,152,039 A 5/1979 Shah  
D260,511 S 9/1981 Avramovich

5,683,255 A 11/1997 Menze  
D406,816 S 3/1999 Hopper et al.  
D412,883 S 8/1999 Nakazawa  
D413,100 S 8/1999 Nakazawa  
D446,771 S 8/2001 Bosatelli  
D491,891 S \* 6/2004 Conway et al. .... D13/146  
D501,649 S \* 2/2005 Yang et al. .... D13/133  
D505,918 S \* 6/2005 Conway et al. .... D13/147  
D506,439 S \* 6/2005 Wang ..... D13/133  
2004/0087206 A1 5/2004 Grubbs

**OTHER PUBLICATIONS**

Lappusa Online Catalog, Epic Pin & Sleeve Connectors —  
12 pages printed on Aug. 25, 2005, publication date  
unknown.

\* cited by examiner

*Primary Examiner*—Prabhakar Deshmukh

*Assistant Examiner*—Daniel Bui

(74) *Attorney, Agent, or Firm*—Lipsitz & McAllister, LLC

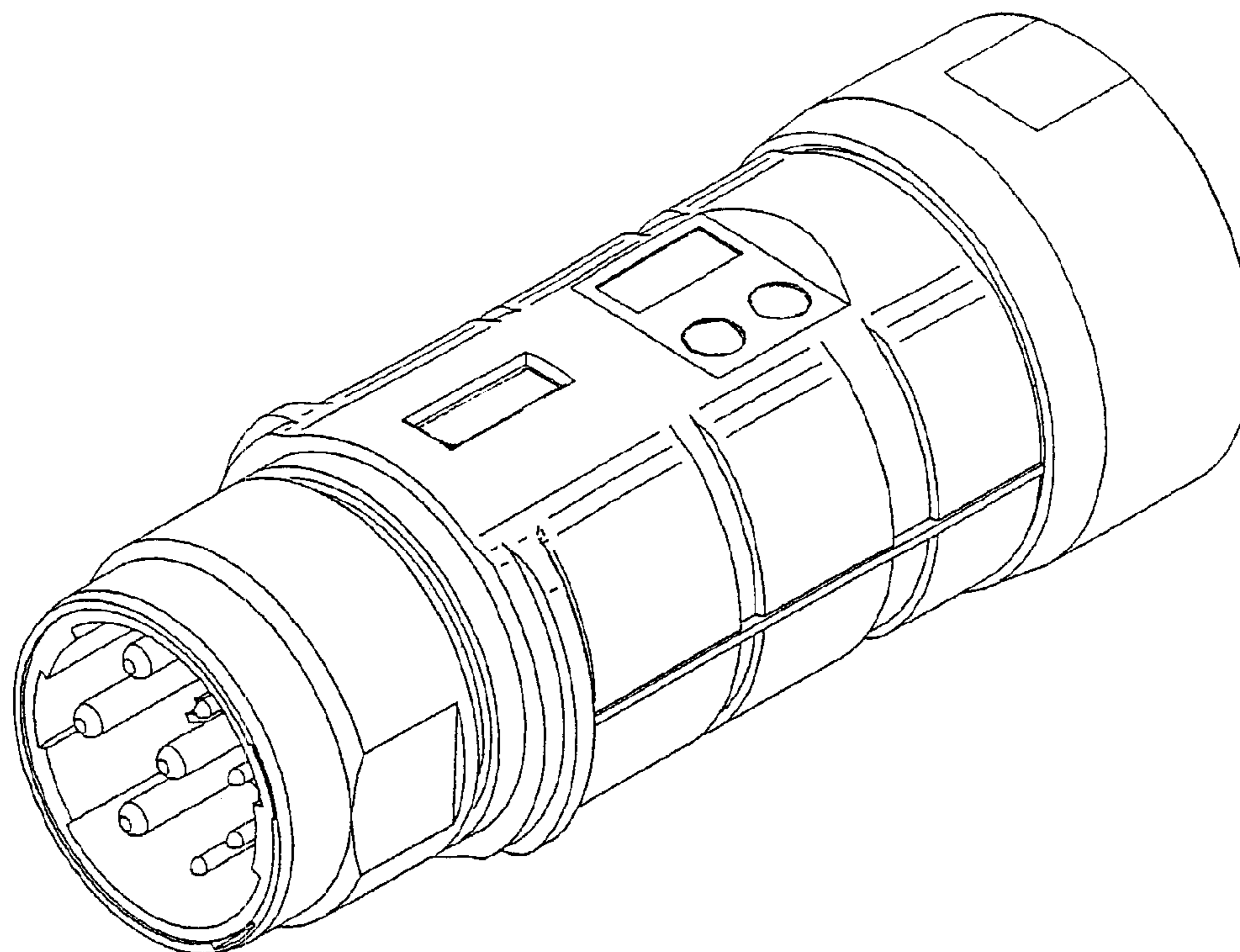
(57) **CLAIM**

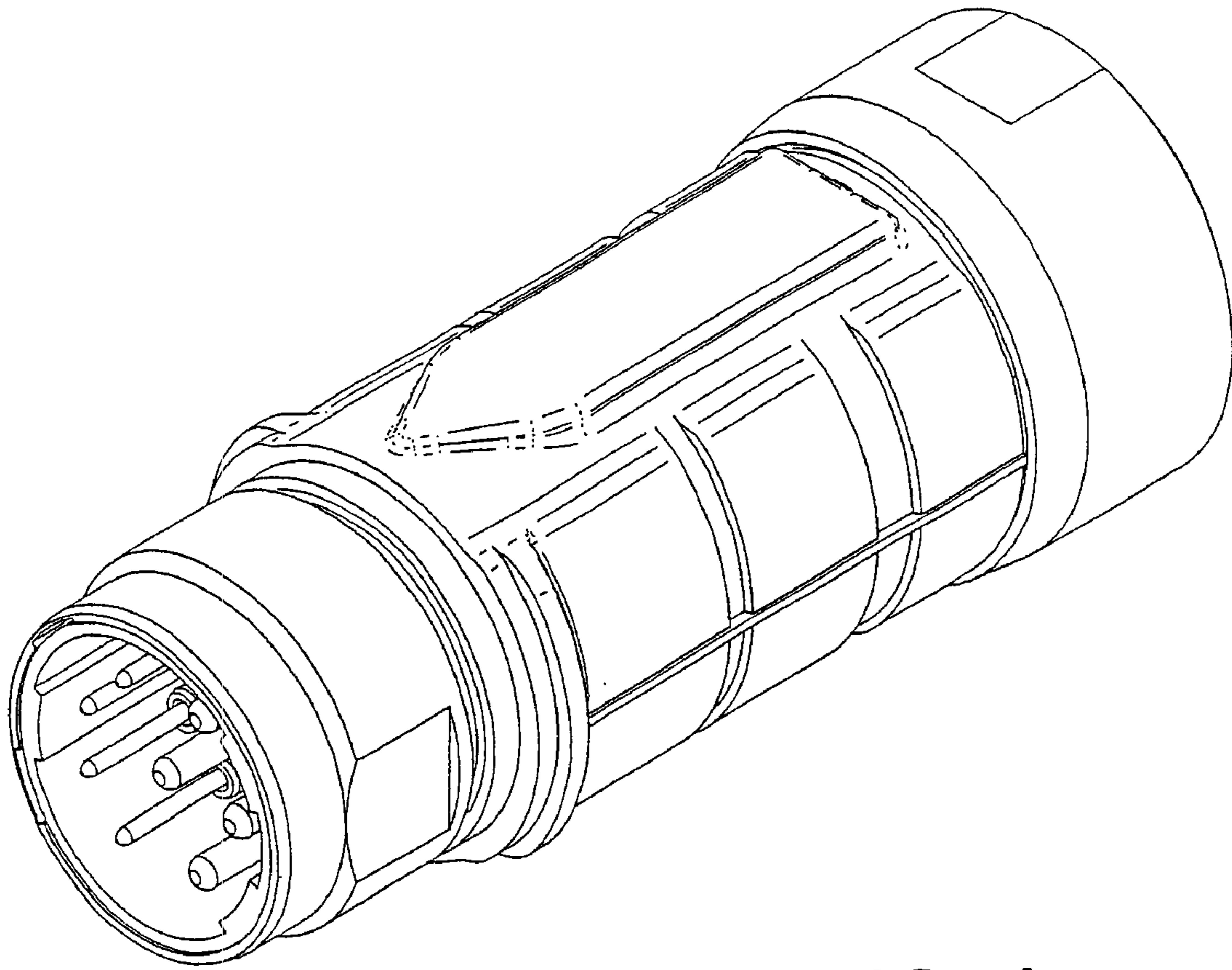
The ornamental design for an electrical connector, as shown  
and described.

**DESCRIPTION**

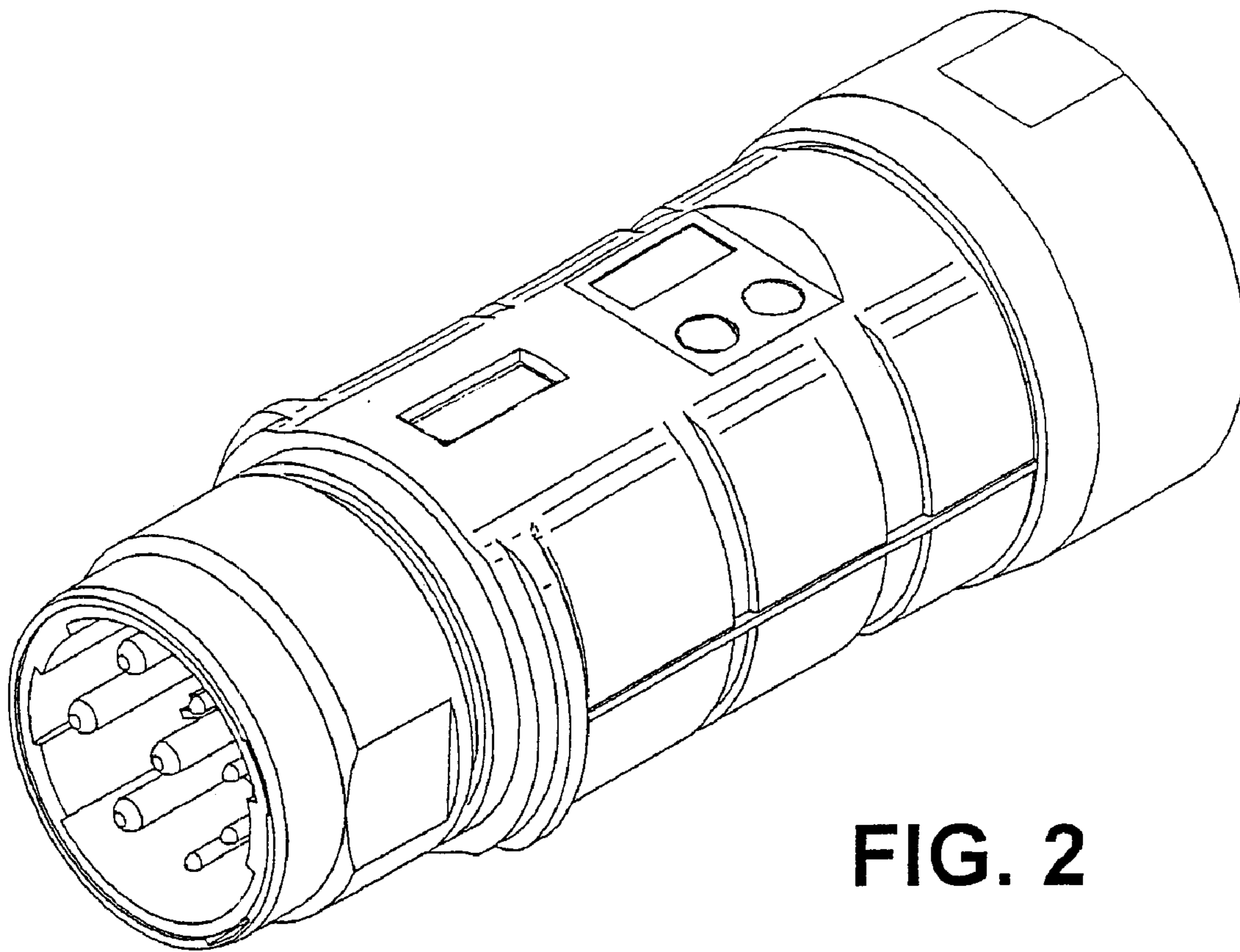
FIG. 1 is a front, top and right side perspective view of an  
electrical connector showing my design; and,  
FIG. 2 is a front, bottom and left side perspective view of my  
design.

**1 Claim, 2 Drawing Sheets**





**FIG. 1**



**FIG. 2**