



US00D525202S

(12) **United States Design Patent**
Bihrer

(10) **Patent No.:** **US D525,202 S**

(45) **Date of Patent:** **** Jul. 18, 2006**

(54) **ELECTRICAL CONNECTOR**

(75) Inventor: **Markus Bihrer**, Althengstett (DE)

(73) Assignee: **U.I. Lapp GmbH**, Stuttgart (DE)

(**) Term: **14 Years**

(21) Appl. No.: **29/232,574**

(22) Filed: **Jun. 20, 2005**

Related U.S. Application Data

(62) Division of application No. 29/203,565, filed on Apr. 15, 2004.

(30) **Foreign Application Priority Data**

Oct. 16, 2003 (EM) 000088430

(51) **LOC (8) Cl.** **13-03**

(52) **U.S. Cl.** **D13/146**

(58) **Field of Classification Search** D13/123,
D13/133, 146-147, 154, 184, 199; 285/9.2,
285/81, 284.1, 286.1, 324, 412; 439/164,
439/259, 262, 310, 338, 344, 378-379, 891
See application file for complete search history.

(56) **References Cited**

U.S. PATENT DOCUMENTS

4,152,039 A 5/1979 Shah
D260,511 S 9/1981 Avramovich

5,683,255 A 11/1997 Menze
D406,816 S 3/1999 Hopper et al.
D412,883 S 8/1999 Nakazawa
D413,100 S 8/1999 Nakazawa
D446,771 S 8/2001 Bosatelli
D491,891 S * 6/2004 Conway et al. D13/146
D501,649 S * 2/2005 Yang et al. D13/133
D505,918 S * 6/2005 Conway et al. D13/147
D506,439 S * 6/2005 Wang D13/133
2004/0087206 A1 5/2004 Grubbs

OTHER PUBLICATIONS

Lappusa Online Catalog, Epic Pin & Sleeve Connectors –12 pages printed on Aug. 25, 2005, publication date unknown.

* cited by examiner

Primary Examiner—Prabhakar Deshmukh

Assistant Examiner—Daniel Bui

(74) *Attorney, Agent, or Firm*—Lipsitz & McAllister, LLC

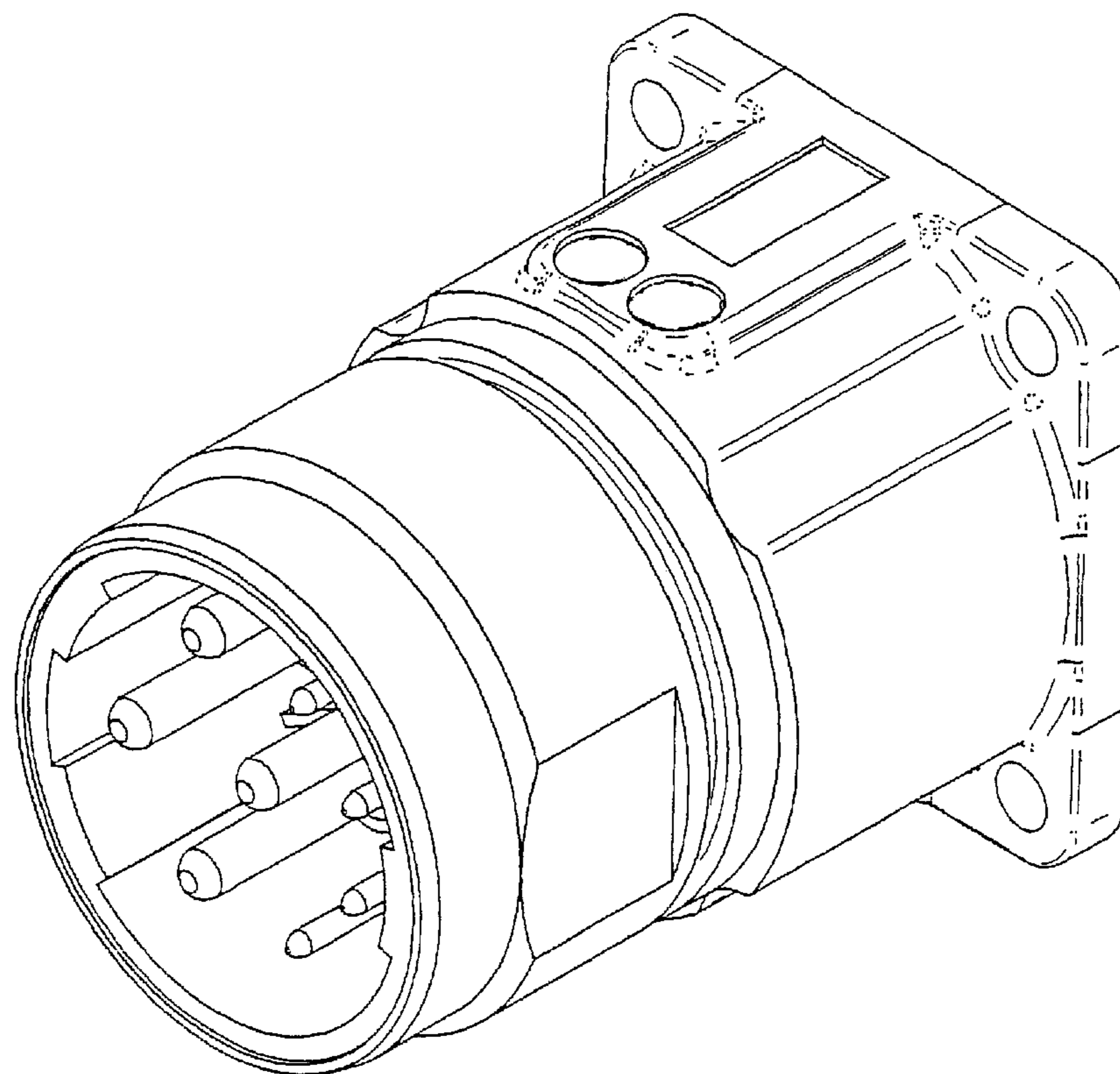
(57) **CLAIM**

The ornamental design for an electrical connector, as shown and described.

DESCRIPTION

FIG. 1 is a front, top and right side perspective view of an electrical connector showing my design; and, FIG. 2 is a front, bottom and left side perspective view of my design.

1 Claim, 2 Drawing Sheets



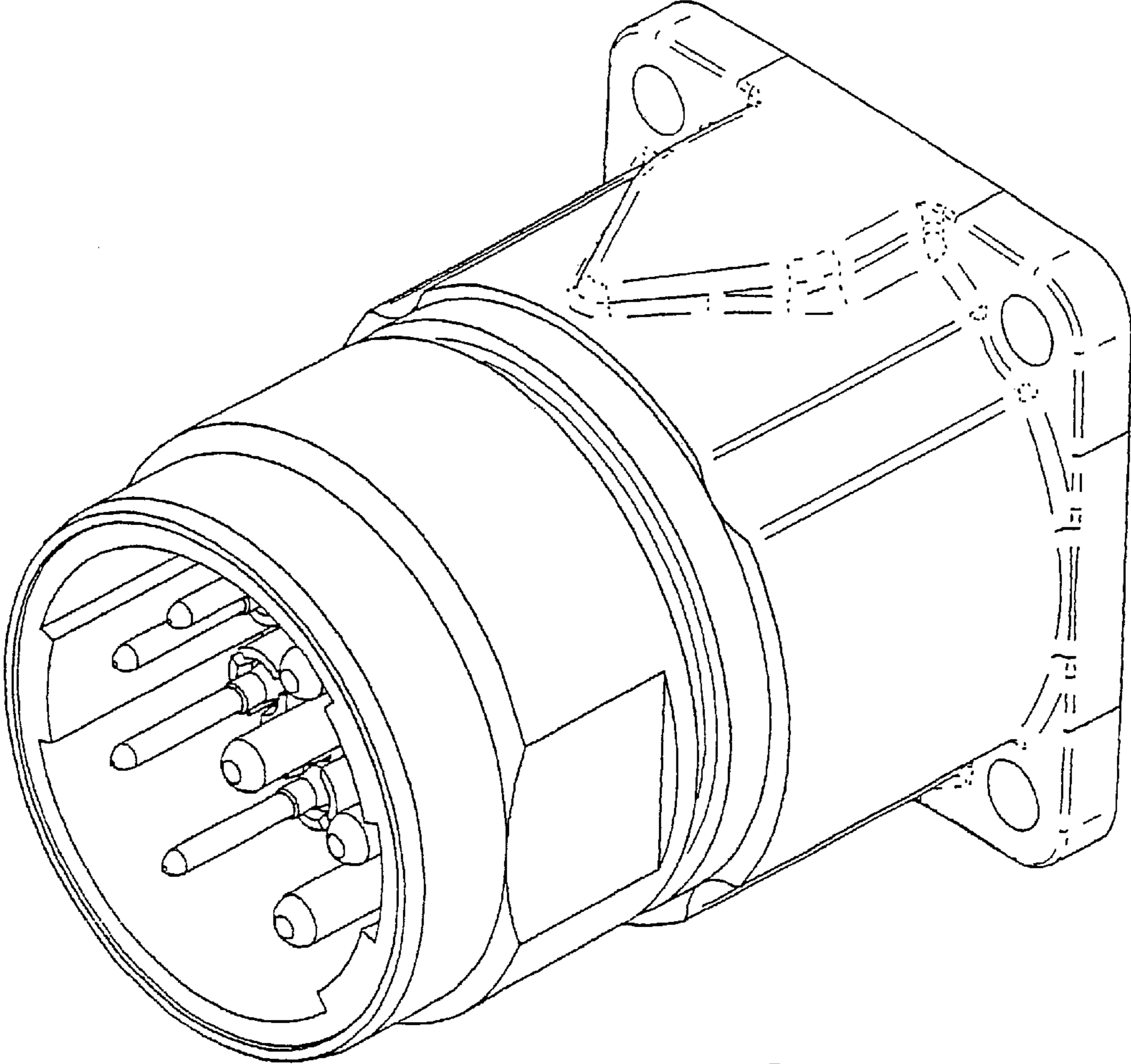


FIG. 1

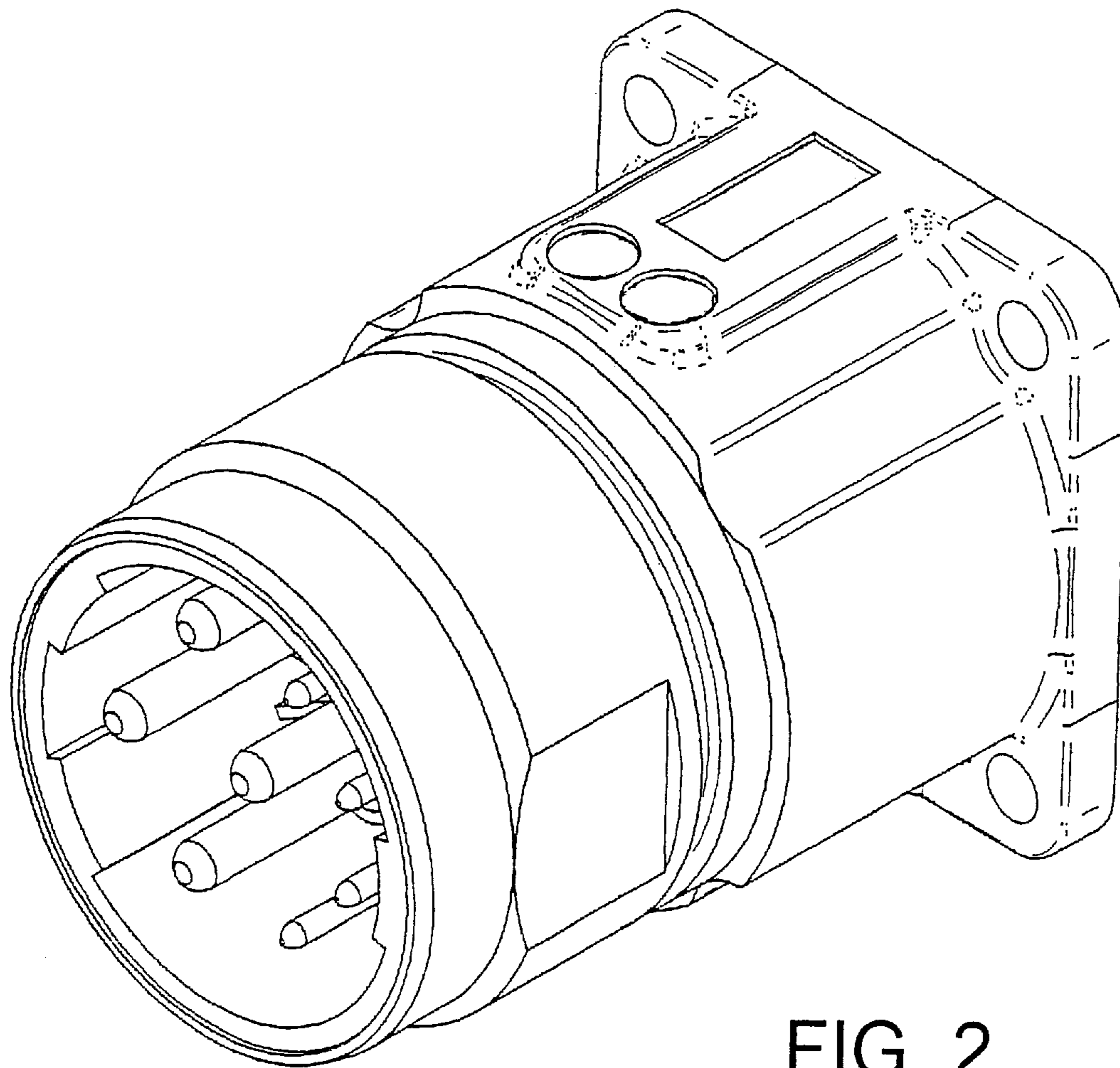


FIG. 2