

US00D525201S

(12) **United States Design Patent**  
**Navarrez et al.**

(10) **Patent No.:** **US D525,201 S**  
(45) **Date of Patent:** **\*\* Jul. 18, 2006**

(54) **IN-VEHICLE CHARGER**

(75) Inventors: **Paul Navarrez**, Glendale, CA (US);  
**Ahmed Abdallah**, Palmdale, CA (US)

(73) Assignee: **USA Wireless Solutions, Inc.**, Van Nuys, CA (US)

(\*\*) Term: **14 Years**

(21) Appl. No.: **29/232,827**

(22) Filed: **Jun. 24, 2005**

(51) **LOC (8) Cl.** ..... **13-03**

(52) **U.S. Cl.** ..... **D13/144; D13/107**

(58) **Field of Classification Search** ..... D13/107,  
D13/110, 133, 144, 184; D14/155; 439/300,  
439/620, 638, 668-669, 675, 825; 320/110-112,  
320/114; 363/146

See application file for complete search history.

(56) **References Cited**

**U.S. PATENT DOCUMENTS**

D400,176 S	*	10/1998	Jones	.....	D13/144
D400,177 S	*	10/1998	Jones	.....	D13/144
D403,663 S	*	1/1999	Jones et al.	.....	D13/144
D406,261 S	*	3/1999	Kettula et al.	.....	D13/144
D436,080 S	*	1/2001	Hussaini et al.	.....	D13/144

D455,712 S	*	4/2002	Hsiao	.....	D13/108
D469,400 S	*	1/2003	Shor et al.	.....	D13/107
D479,824 S	*	9/2003	Arkin et al.	.....	D13/144
D481,358 S	*	10/2003	Hsiao	.....	D13/144
D489,326 S	*	5/2004	Nazar	.....	D13/110
D490,058 S	*	5/2004	Mkhitarian	.....	D13/144
D507,527 S	*	7/2005	Huang	.....	D13/110
D507,532 S	*	7/2005	Kajiwara et al.	.....	D13/144

\* cited by examiner

*Primary Examiner*—Alan P. Douglas

*Assistant Examiner*—Rosemary K. Tarcza

(74) *Attorney, Agent, or Firm*—O'Melveny & Myers LLP

(57) **CLAIM**

The ornamental design for an in-vehicle charger, as shown and described.

**DESCRIPTION**

FIG. 1 is a perspective view of an in-vehicle charger in accordance with the invention;

FIG. 2 is a front side view of the in-vehicle charger;

FIG. 3 is a rear side view of the in-vehicle charger;

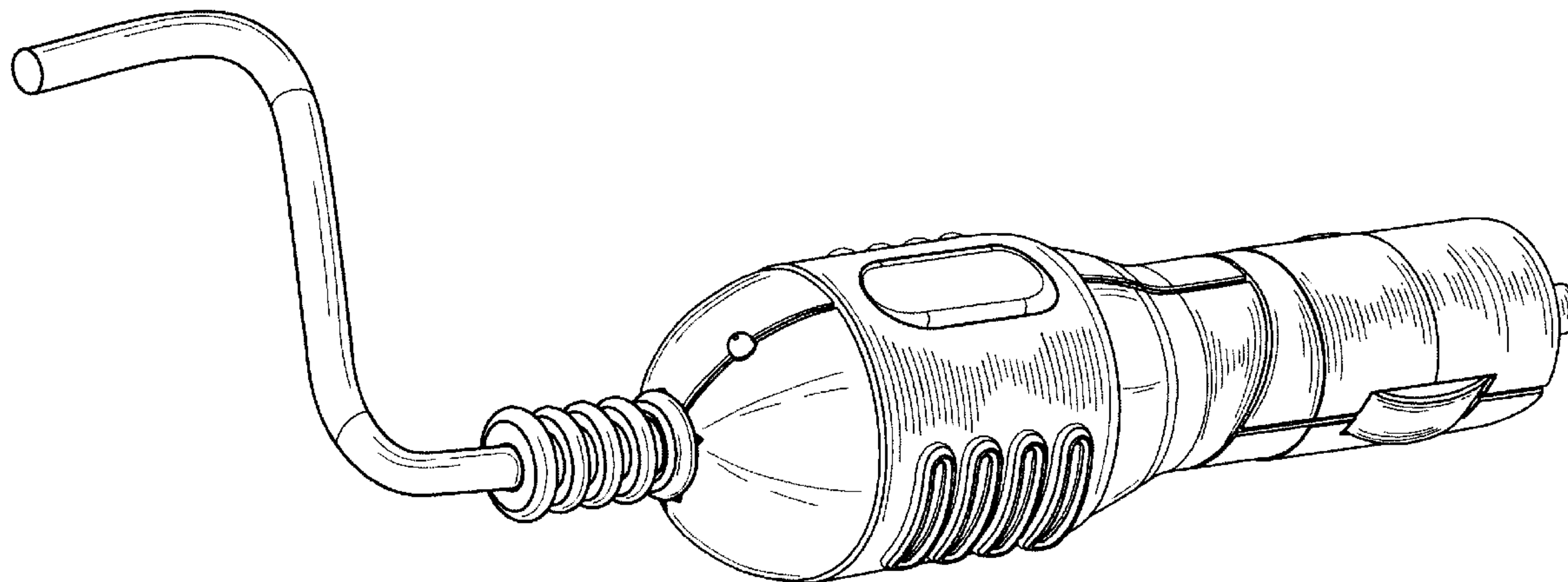
FIG. 4 is a left side view of the in-vehicle charger;

FIG. 5 is a right side view of the in-vehicle charger;

FIG. 6 is a top view of the in-vehicle charger; and,

FIG. 7 is a bottom view of the in-vehicle charger.

**1 Claim, 6 Drawing Sheets**



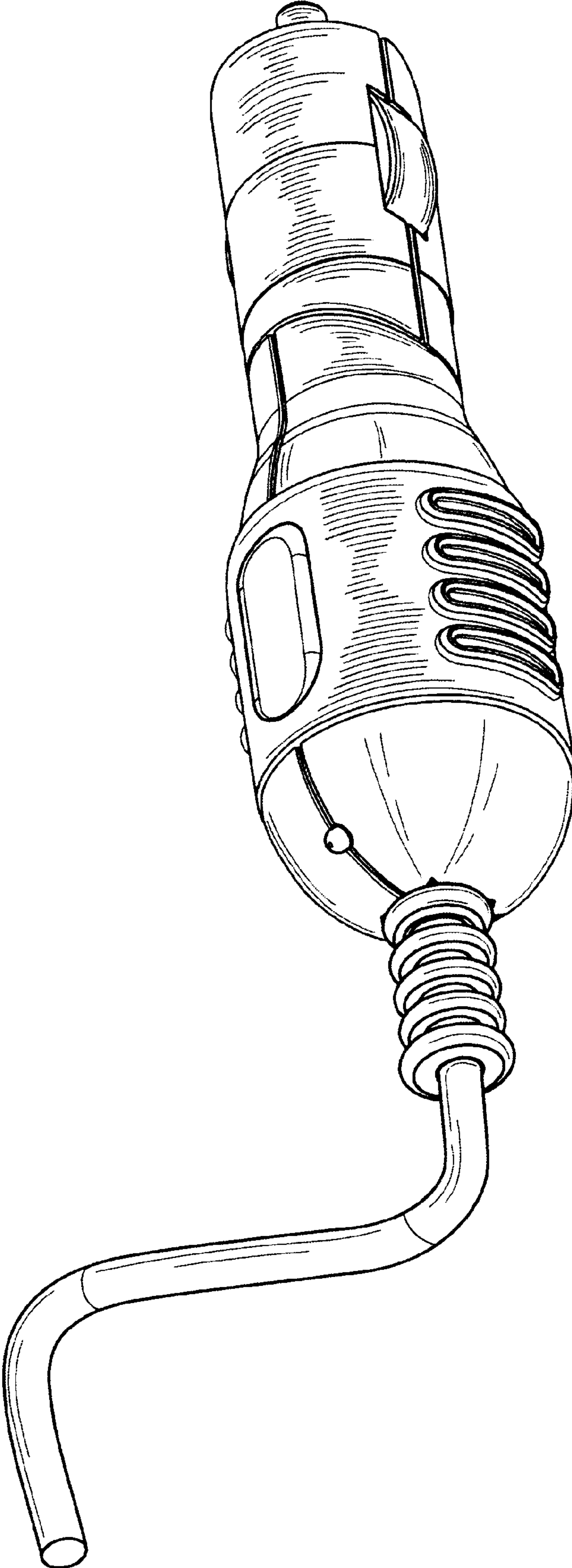


FIG. 1

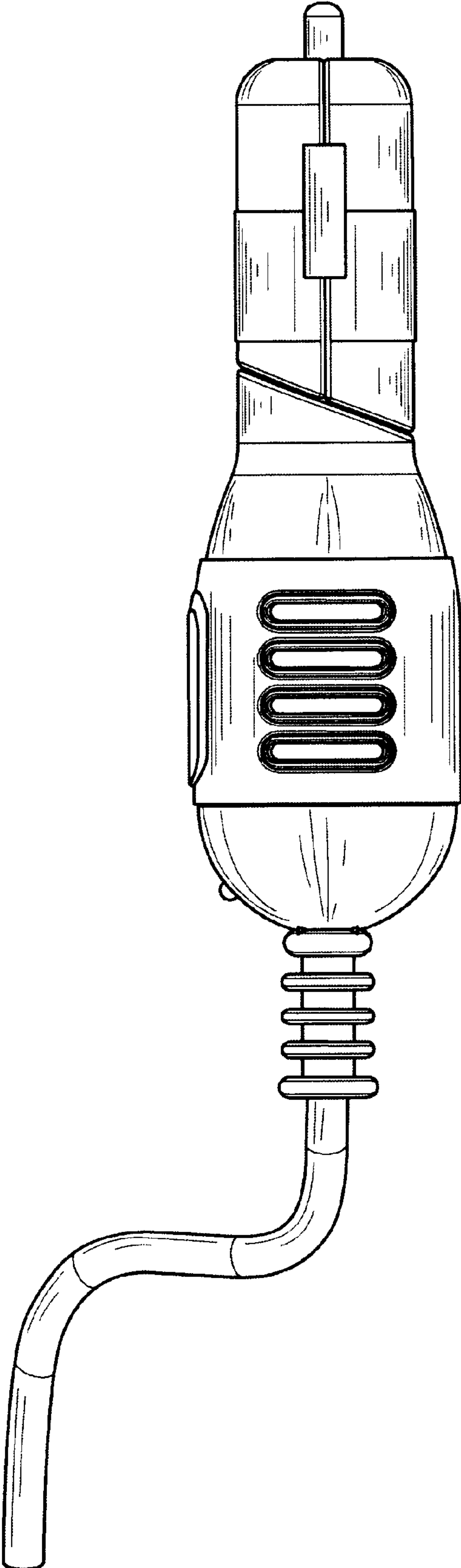


FIG. 2

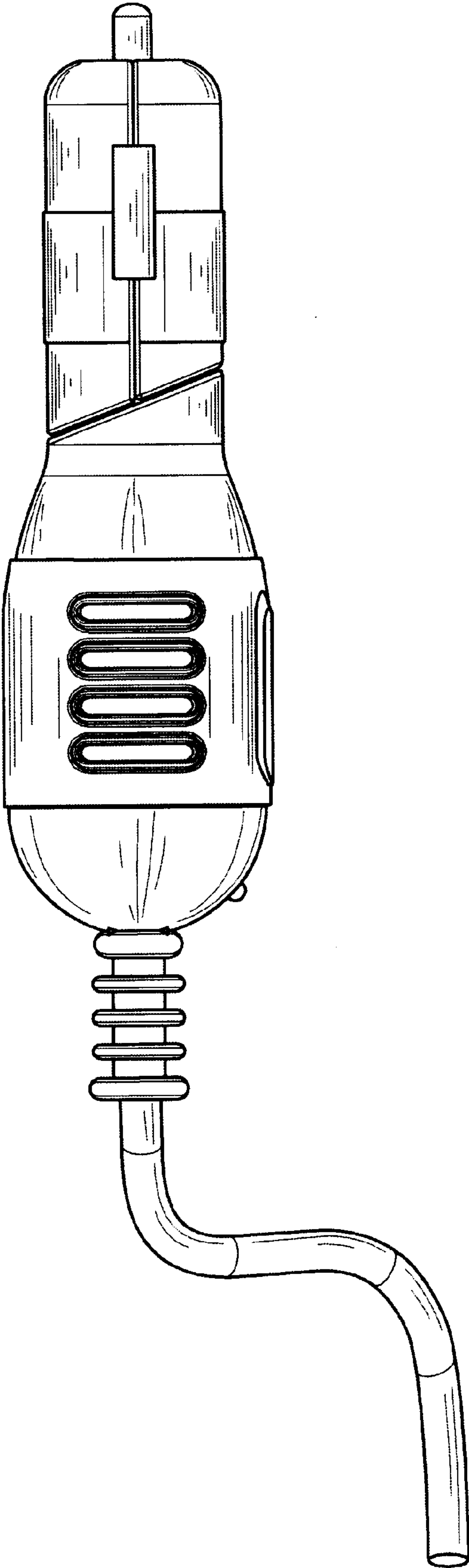


FIG. 3

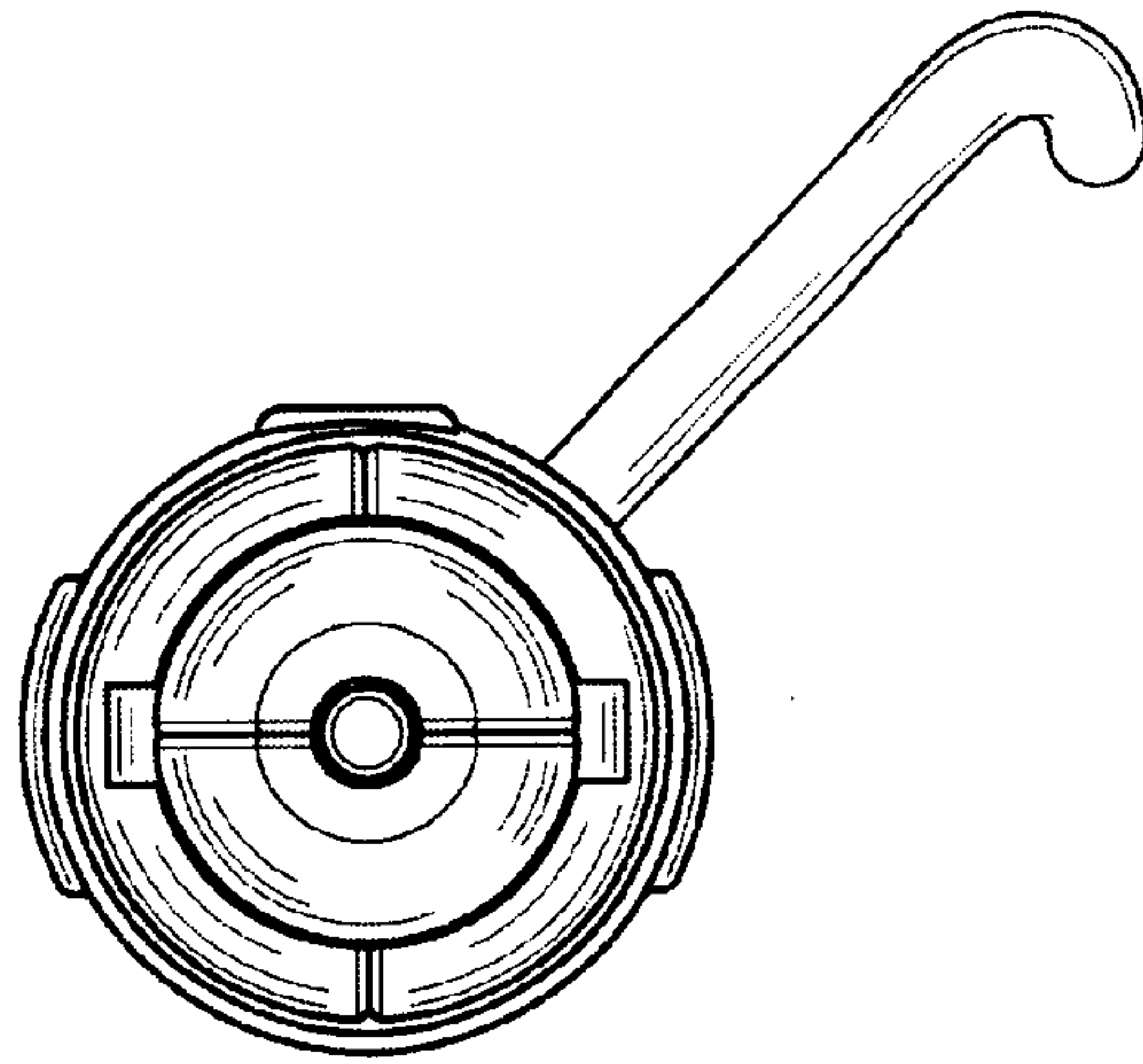


FIG. 4

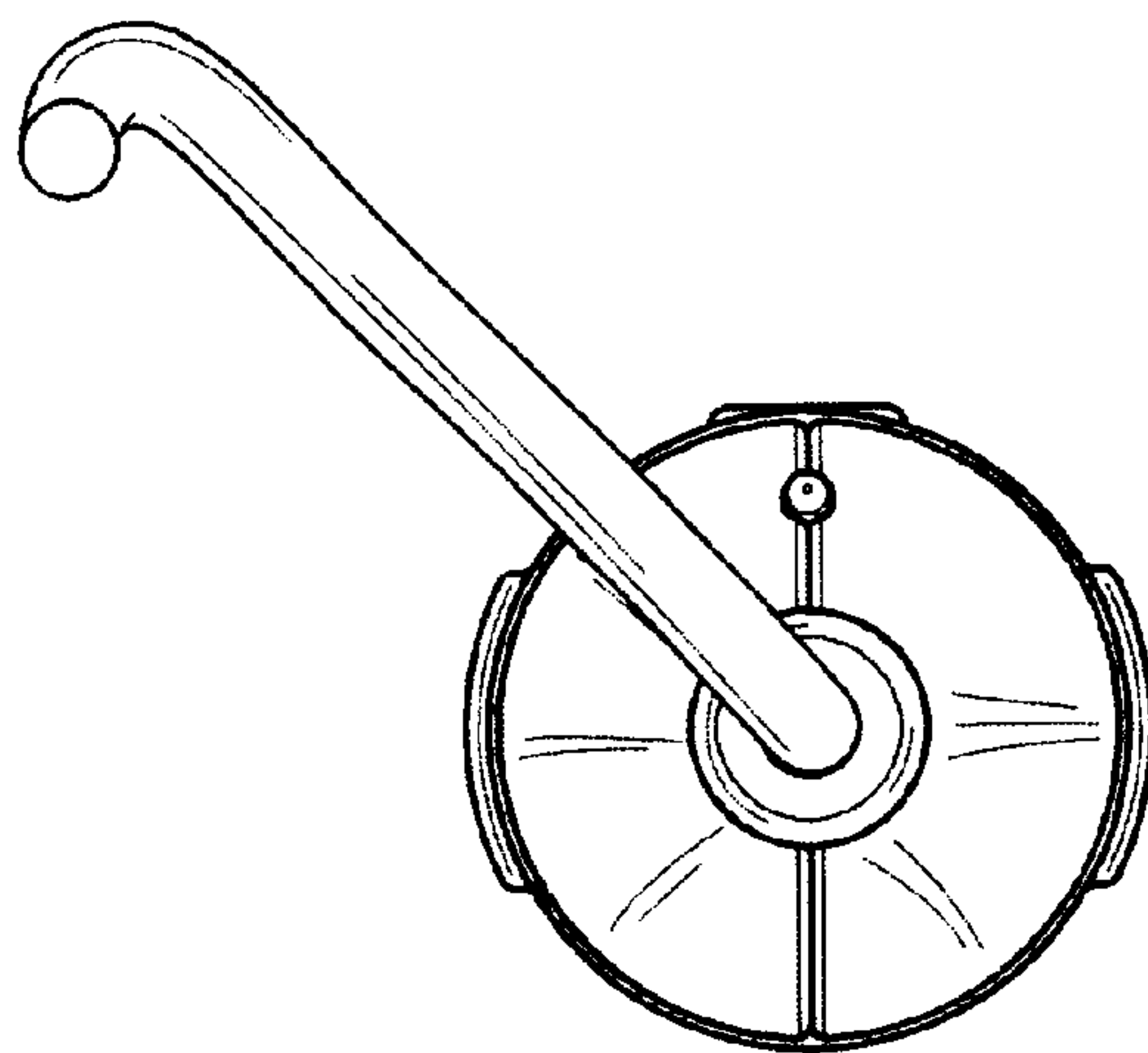


FIG. 5

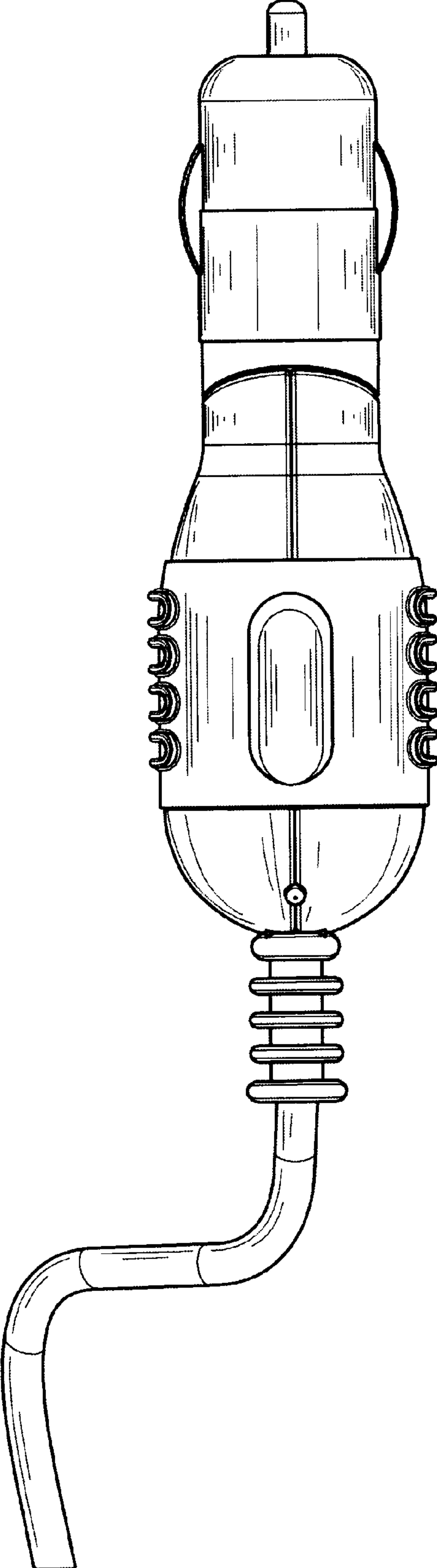


FIG. 6



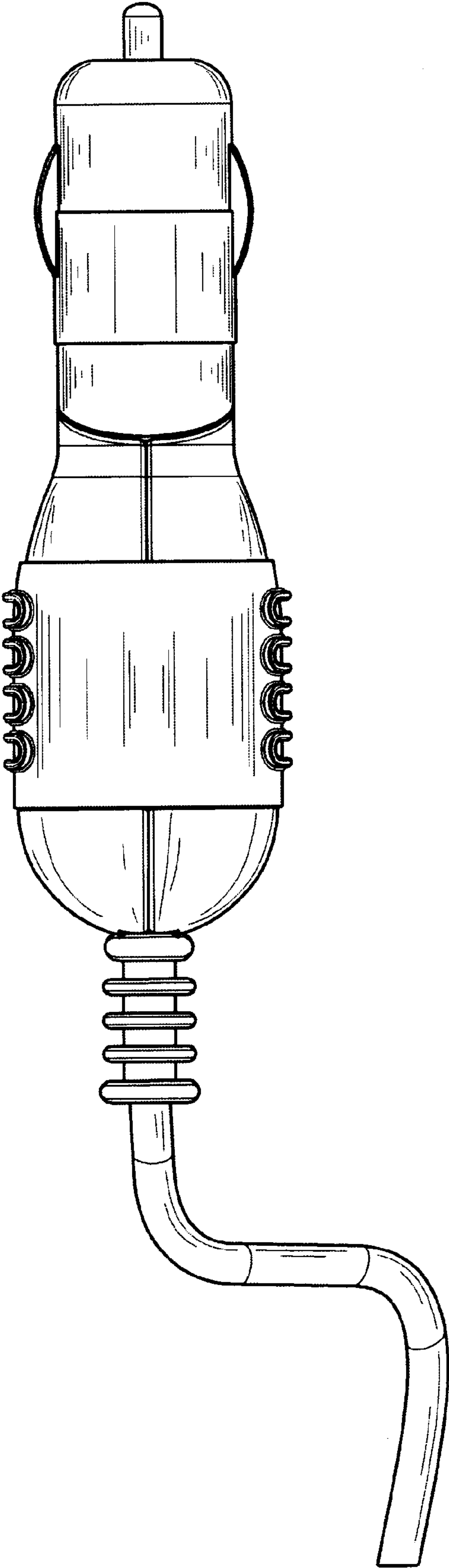


FIG. 7