

US00D525199S

(12) **United States Design Patent**
Lin

(10) **Patent No.:** **US D525,199 S**

(45) **Date of Patent:** **** Jul. 18, 2006**

(54) **CABLE CONNECTOR ASSEMBLY**

(75) Inventor: **Qing Hong Lin**, Dong-Guan (CN)

(73) Assignee: **Cheng Uei Precision Industry, Co., Ltd.**, Taipei (TW)

(**) Term: **14 Years**

(21) Appl. No.: **29/205,322**

(22) Filed: **May 13, 2004**

(51) **LOC (8) Cl.** **13-03**

(52) **U.S. Cl.** **D13/133; D13/153; D13/146; D13/147**

(58) **Field of Classification Search** **D12/133, D12/146, 147, 153, 184, 199; 174/174 A; 439/502, 540.1, 623, 638**

See application file for complete search history.

(56) **References Cited**

U.S. PATENT DOCUMENTS

- 4,477,801 A * 10/1984 Robinson et al. 340/684
- 5,203,720 A * 4/1993 Zini 439/502
- 5,547,399 A * 8/1996 Naghi et al. 439/623

- 5,954,538 A * 9/1999 Huang 439/502
- D422,968 S * 4/2000 Tsai et al. D13/147
- 6,454,597 B1 * 9/2002 Marsh et al. 439/502
- D473,848 S * 4/2003 Zheng et al. D13/147
- D491,532 S * 6/2004 Chung et al. D13/147

* cited by examiner

Primary Examiner—Stella Reid

Assistant Examiner—Daniel Bui

(74) *Attorney, Agent, or Firm*—Rosenberg, Klein & Lee

(57) **CLAIM**

The ornamental design for a cable connector assembly, as shown and described.

DESCRIPTION

FIG. 1 is a perspective view of a cable connector assembly showing my new design;

FIG. 2 is a front elevational view thereof;

FIG. 3 is a rear elevational view thereof;

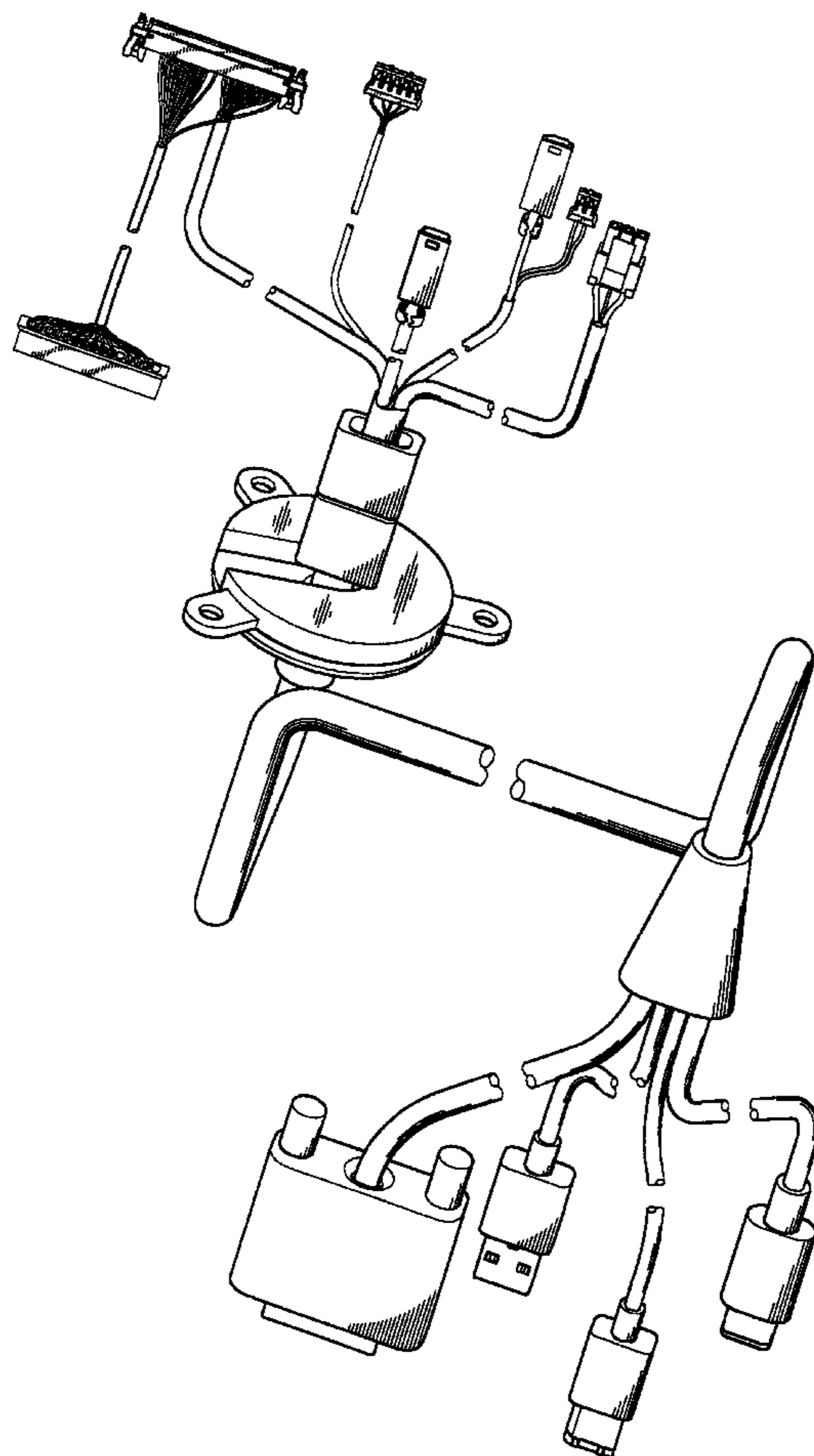
FIG. 4 is a left side elevational view thereof;

FIG. 5 is a right side elevational view thereof;

FIG. 6 is a top plan view thereof; and,

FIG. 7 is a bottom plan view thereof.

1 Claim, 7 Drawing Sheets



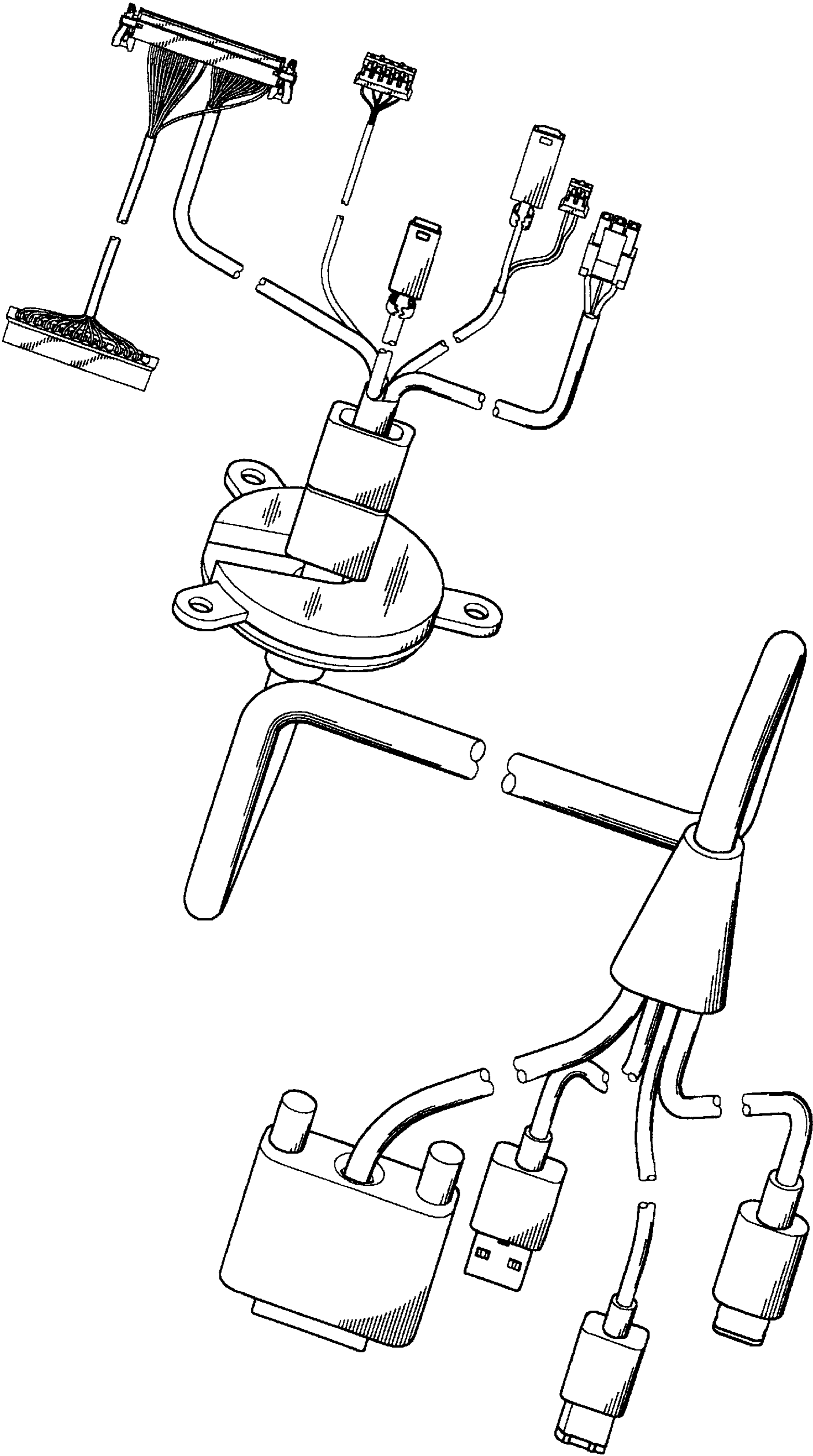


FIG.1

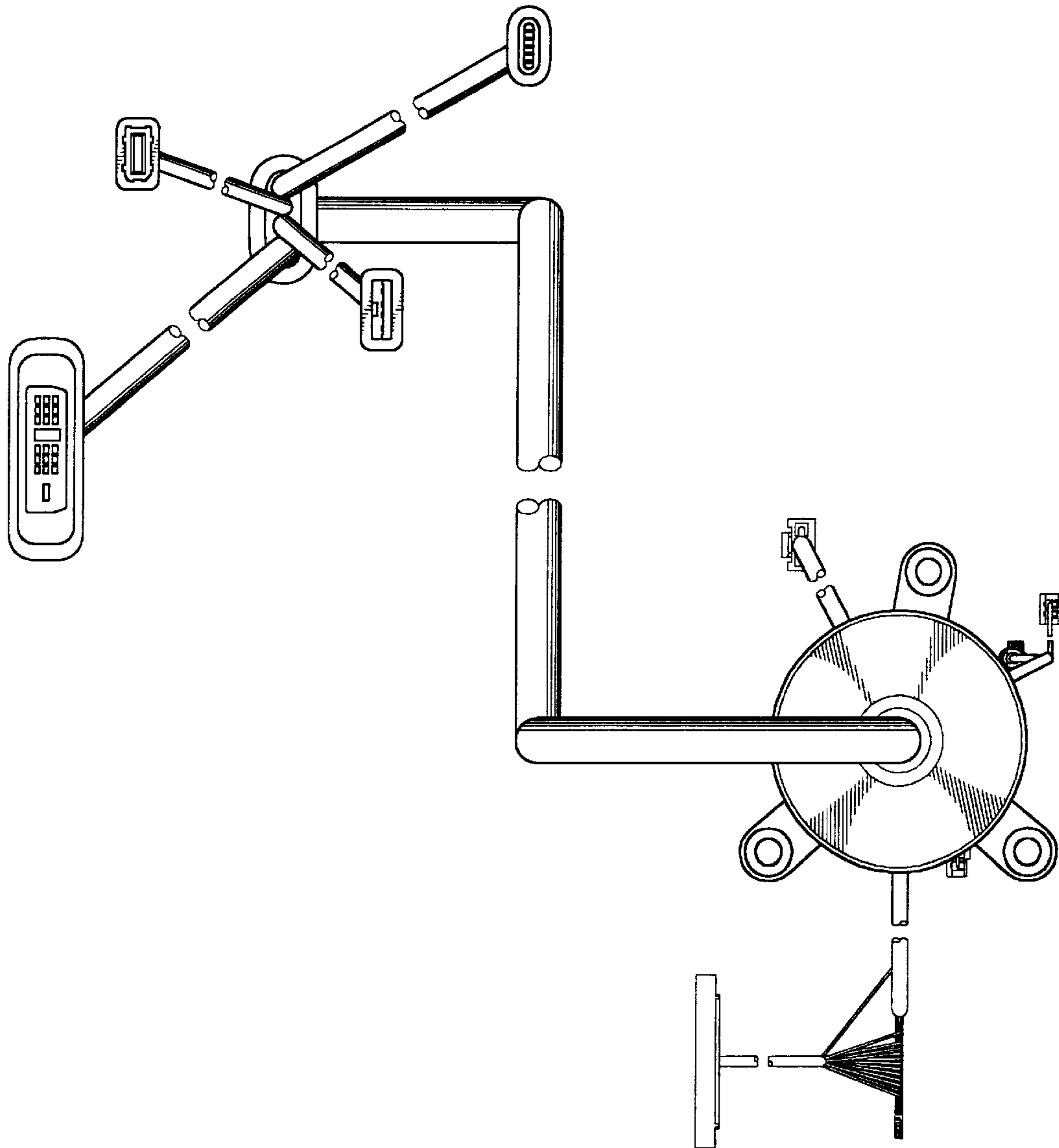


FIG.2

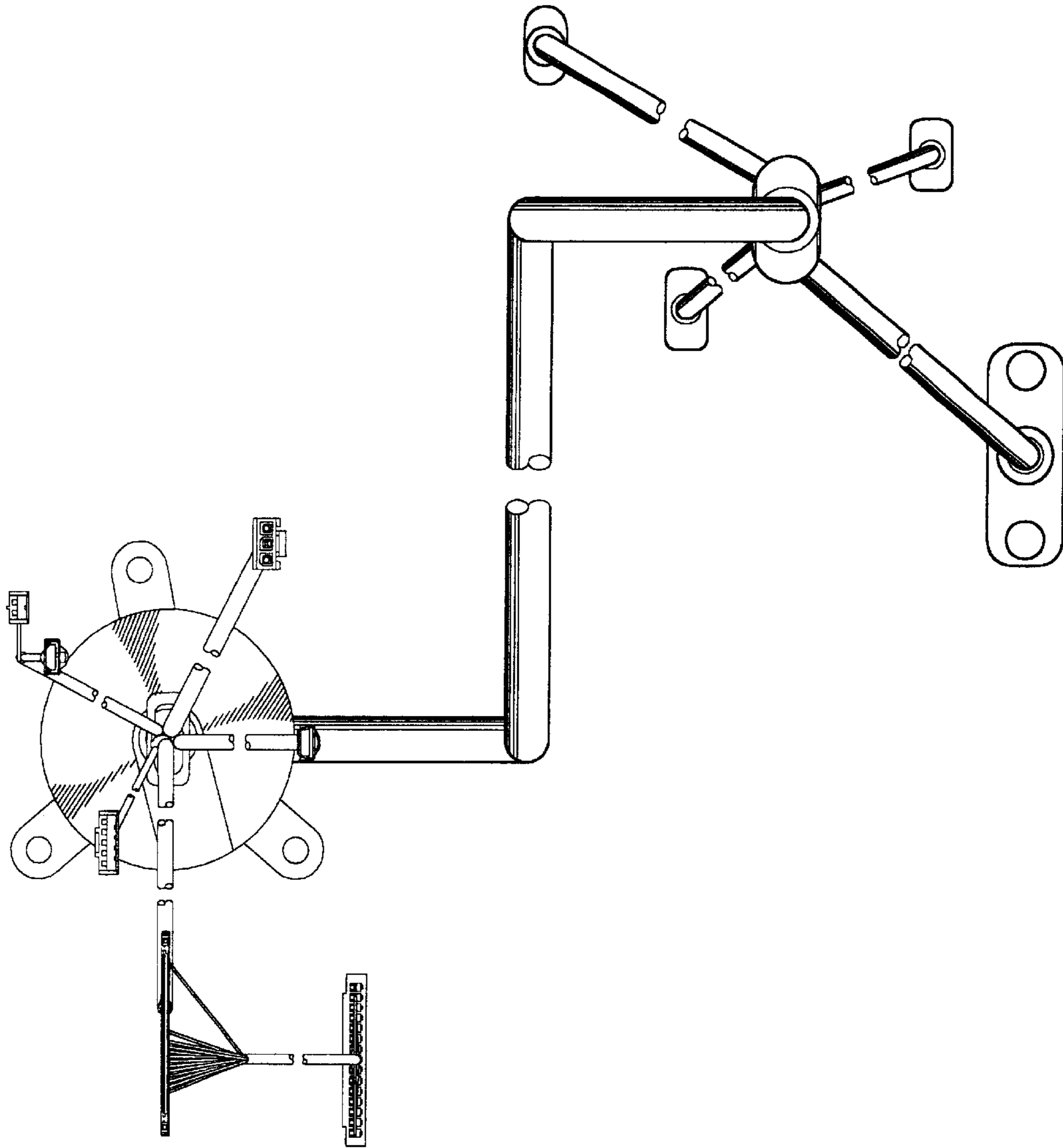


FIG.3

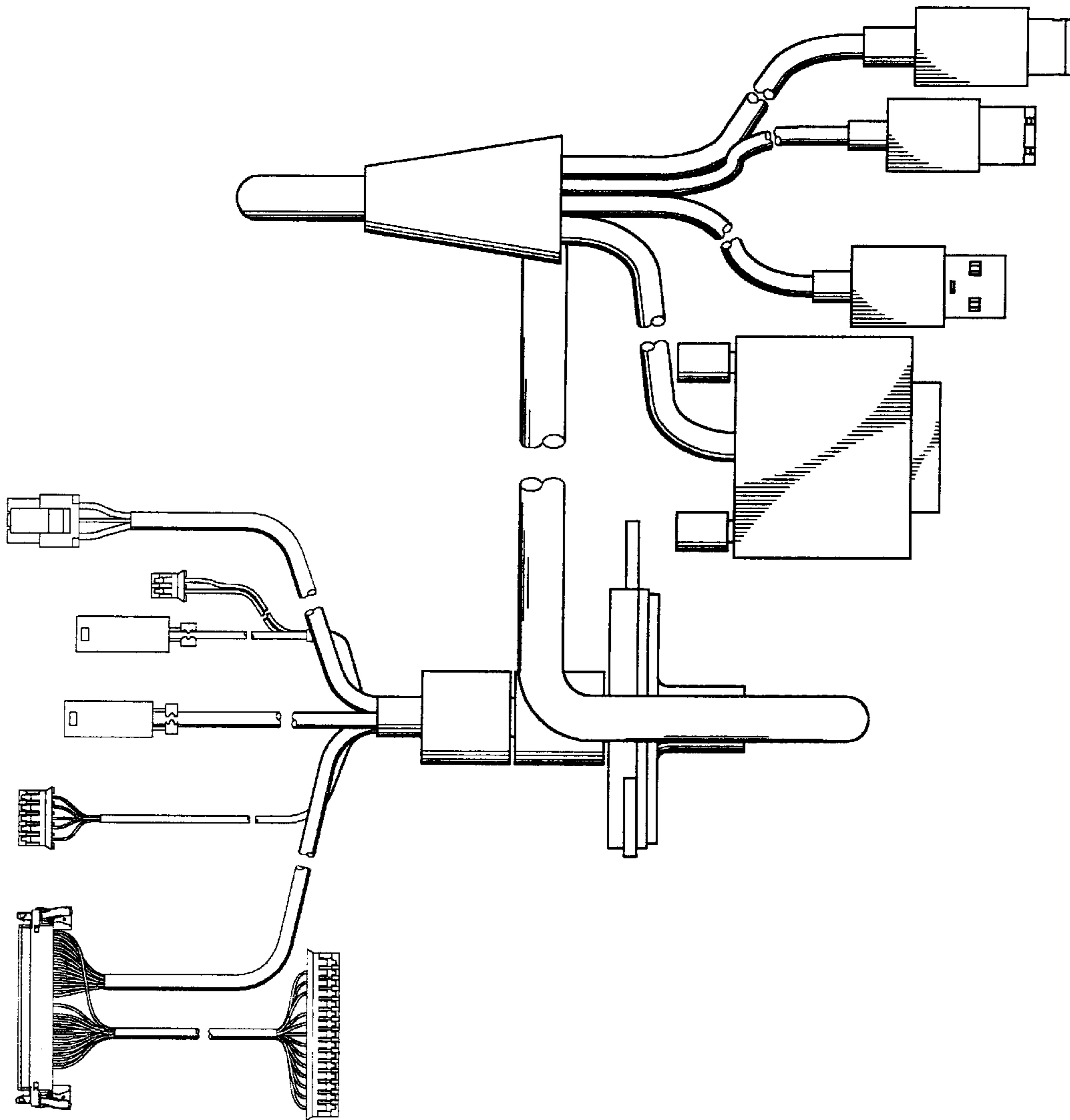


FIG.4

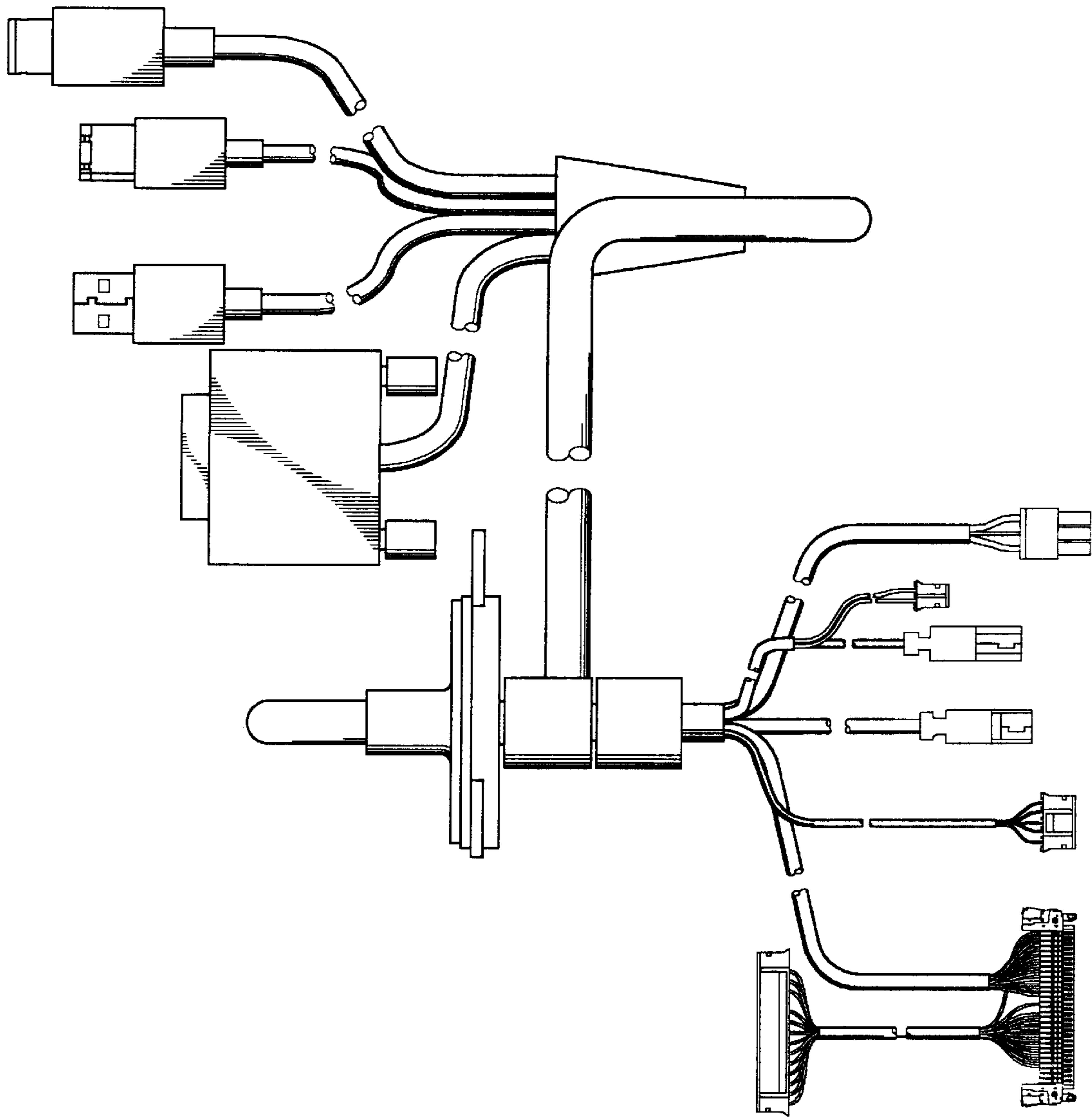


FIG.5

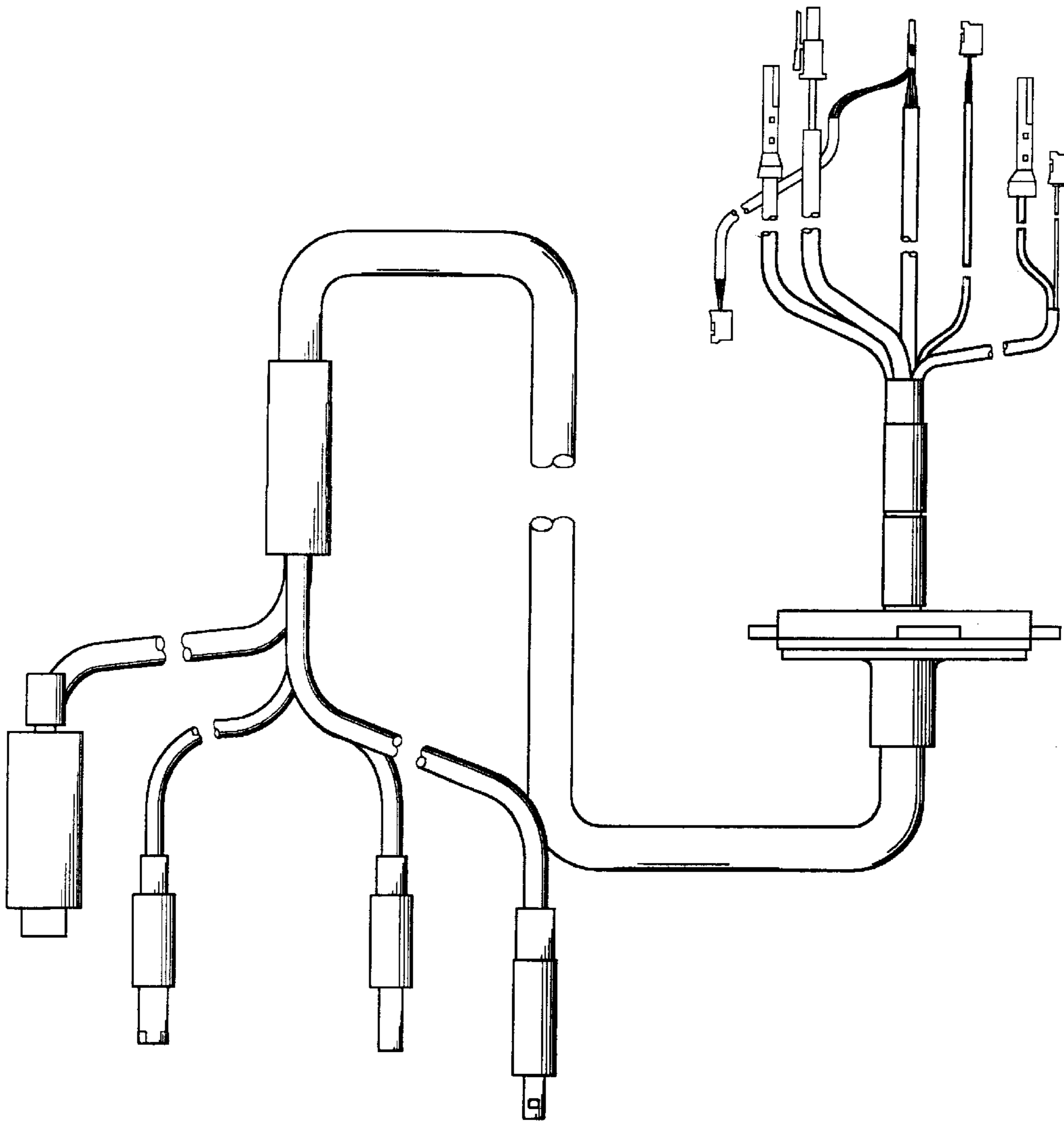


FIG.6

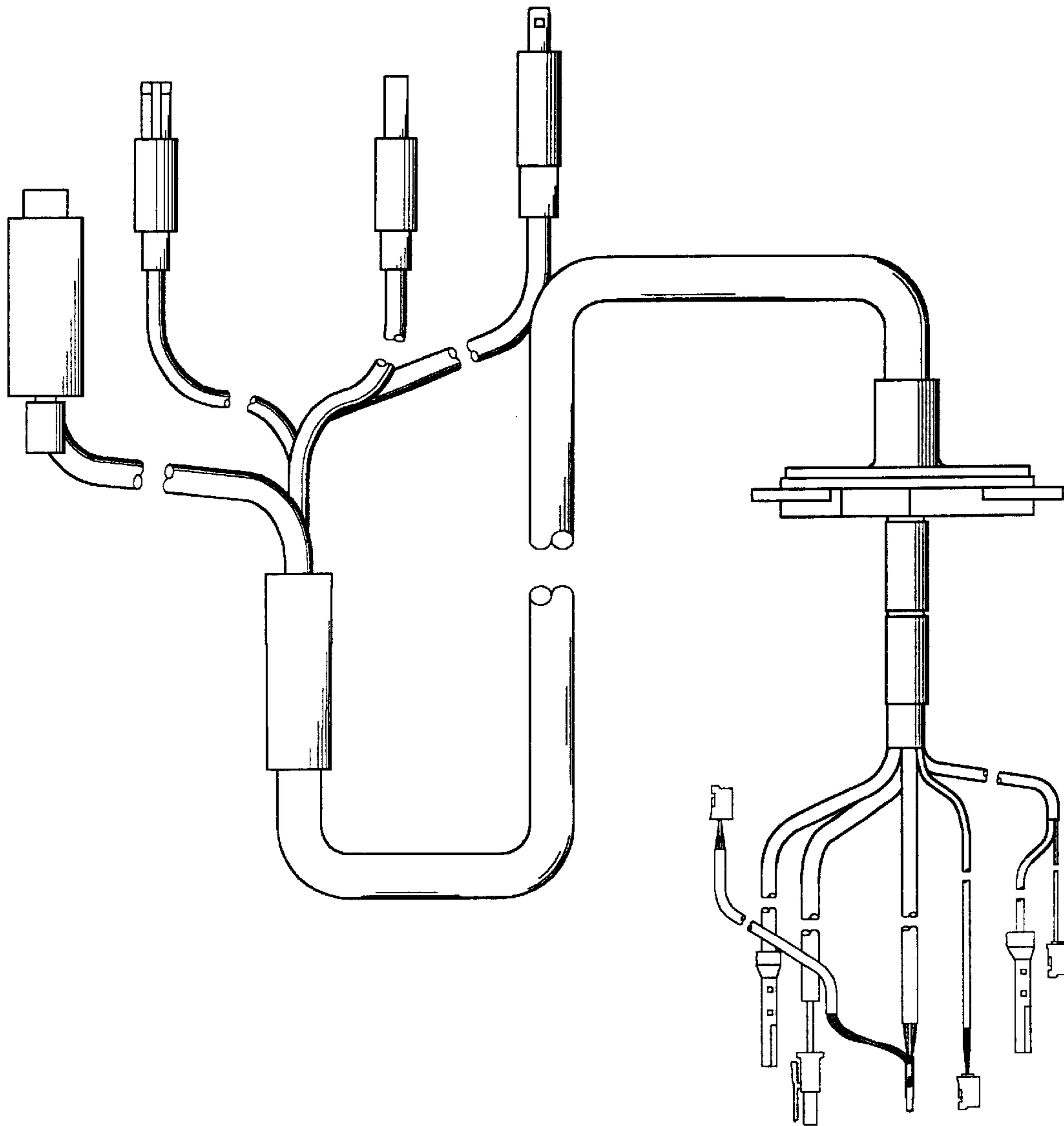


FIG.7