

US00D525197S

(12) **United States Design Patent** (10) **Patent No.:** **US D525,197 S**  
**Tanabe et al.** (45) **Date of Patent:** **\*\* Jul. 18, 2006**

(54) **SIGNAL CONVERTER**

D384,938 S \* 10/1997 Hamada et al. .... D13/162  
D464,043 S \* 10/2002 Hill et al. .... D14/240

(75) Inventors: **Yoshihiro Tanabe**, Moriya (JP);  
**Shigeharu Oide**, Tokyo-to (JP)

**OTHER PUBLICATIONS**

(73) Assignee: **SMC Kabushiki Kaisha**, Tokyo (JP)

Related U.S. Appl. No. 29/204,042, filed Apr. 23, 2004;  
Inventor: Yoshihiro Tanabe et al.; Title: Signal Controller.  
Related U.S. Appl. No. 29/204,043, filed Apr. 23, 2004;  
Inventor: Yoshihiro Tanabe et al.; Title: Signal Input Device.  
Related U.S. Appl. No. 29/204,045, filed Apr. 23, 2004;  
Inventor: Yoshihiro Tanabe et al.; Title: Signal Input Device.

(\*\*) Term: **14 Years**

\* cited by examiner

(21) Appl. No.: **29/204,044**

(22) Filed: **Apr. 23, 2004**

(30) **Foreign Application Priority Data**

Oct. 24, 2003 (JP) ..... 2003-031493

*Primary Examiner*—Stella Reid

*Assistant Examiner*—Daniel Bui

(51) **LOC (8) Cl.** ..... **13-03**

(52) **U.S. Cl.** ..... **D13/123**; D13/162

(58) **Field of Classification Search** ..... D13/123,  
D13/133, 146–147, 154, 162, 164, 184, 199;  
361/637, 823; 439/709, 712, 715–716  
See application file for complete search history.

(74) *Attorney, Agent, or Firm*—Frishauf, Holtz, Goodman  
& Chick, P.C.

(57) **CLAIM**

The ornamental design for a signal converter, as shown.

**DESCRIPTION**

(56) **References Cited**

**U.S. PATENT DOCUMENTS**

D215,294 S \* 9/1969 Kalvitis ..... D13/162  
D271,684 S \* 12/1983 Berry, Jr. .... D13/137.4  
D288,434 S \* 2/1987 Gemmell ..... D13/147  
D313,009 S \* 12/1990 Siemon et al. .... D13/147  
D319,425 S \* 8/1991 Bibbiani ..... D13/123  
D329,226 S \* 9/1992 Holbrook ..... D13/162  
D374,430 S \* 10/1996 Loh ..... D13/162

FIG. 1 is a top, front and right-side perspective view of a  
signal converter showing our new design;  
FIG. 2 is a front view thereof;  
FIG. 3 is a rear view thereof;  
FIG. 4 is a top plan view thereof;  
FIG. 5 is a bottom plan view thereof;  
FIG. 6 is a right side view thereof; and,  
FIG. 7 is a left side view thereof.

**1 Claim, 7 Drawing Sheets**

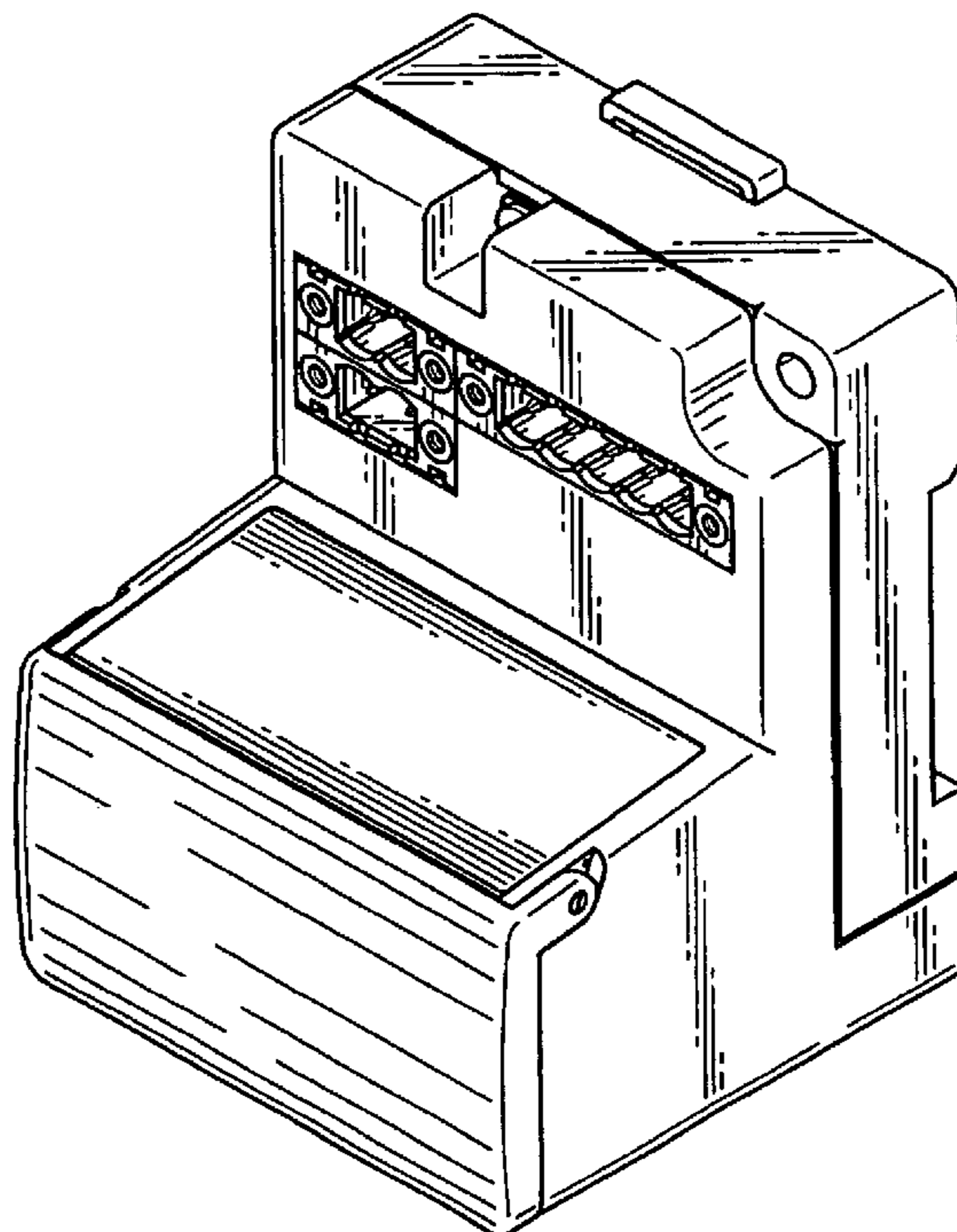


FIG. 1

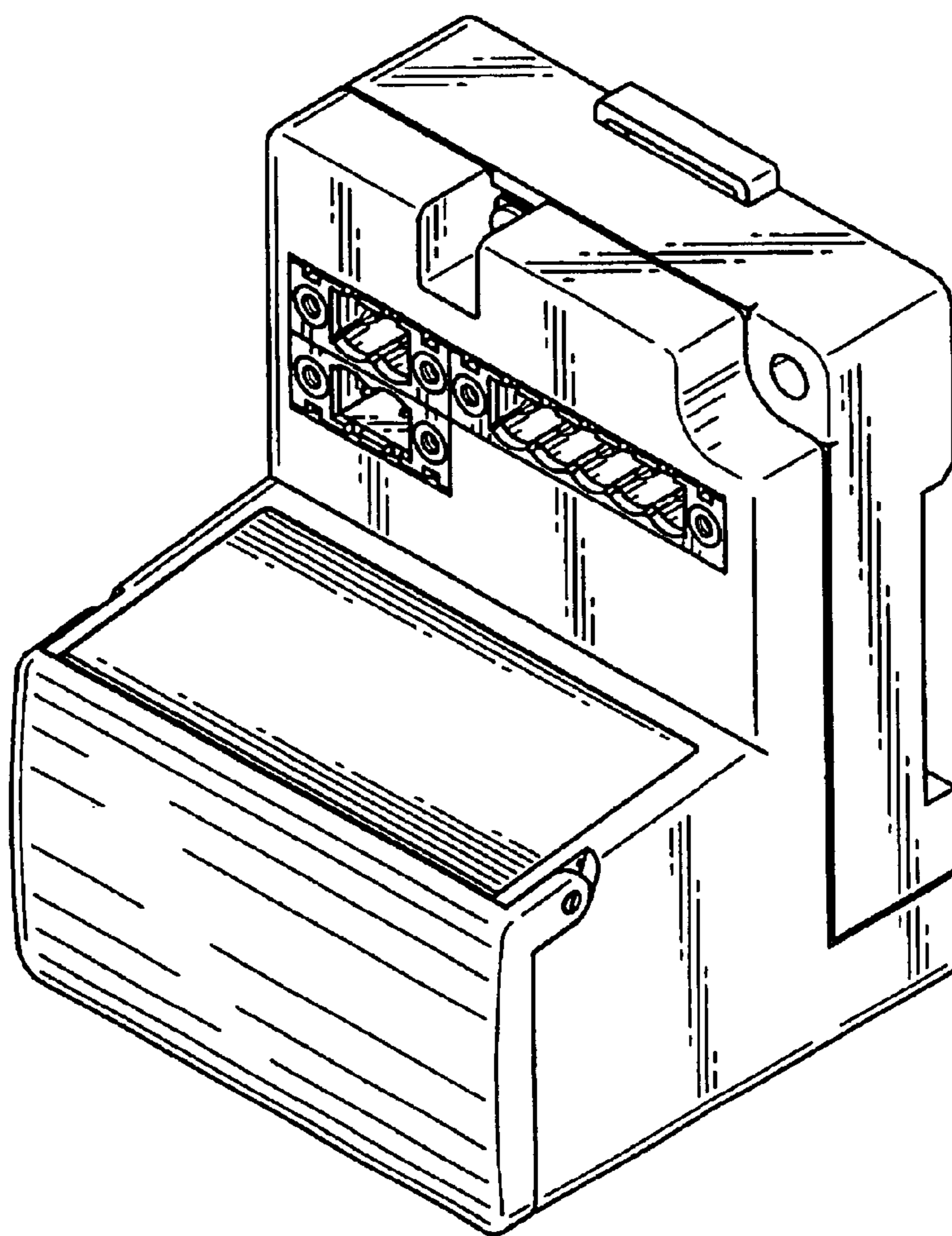


FIG. 2

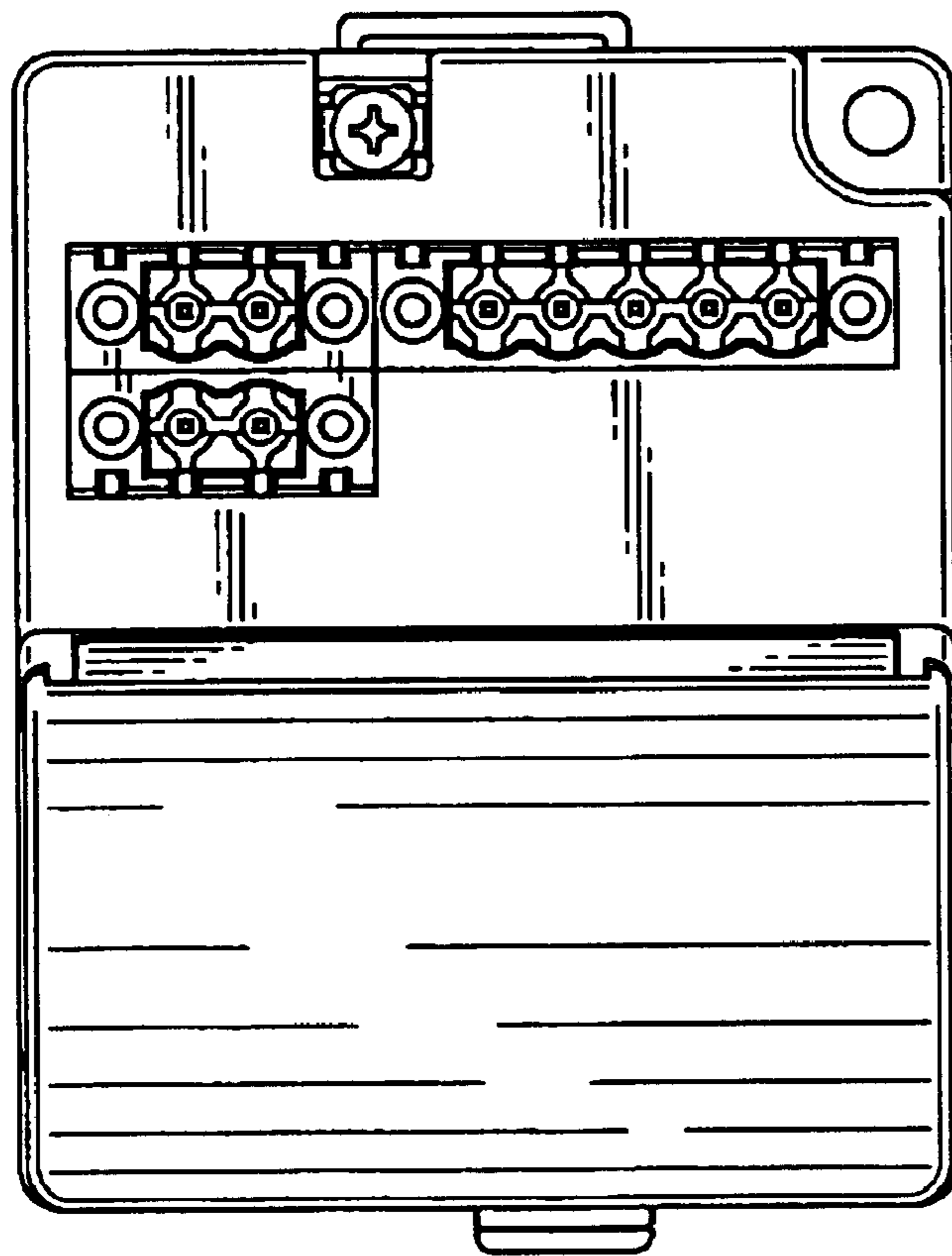


FIG. 3

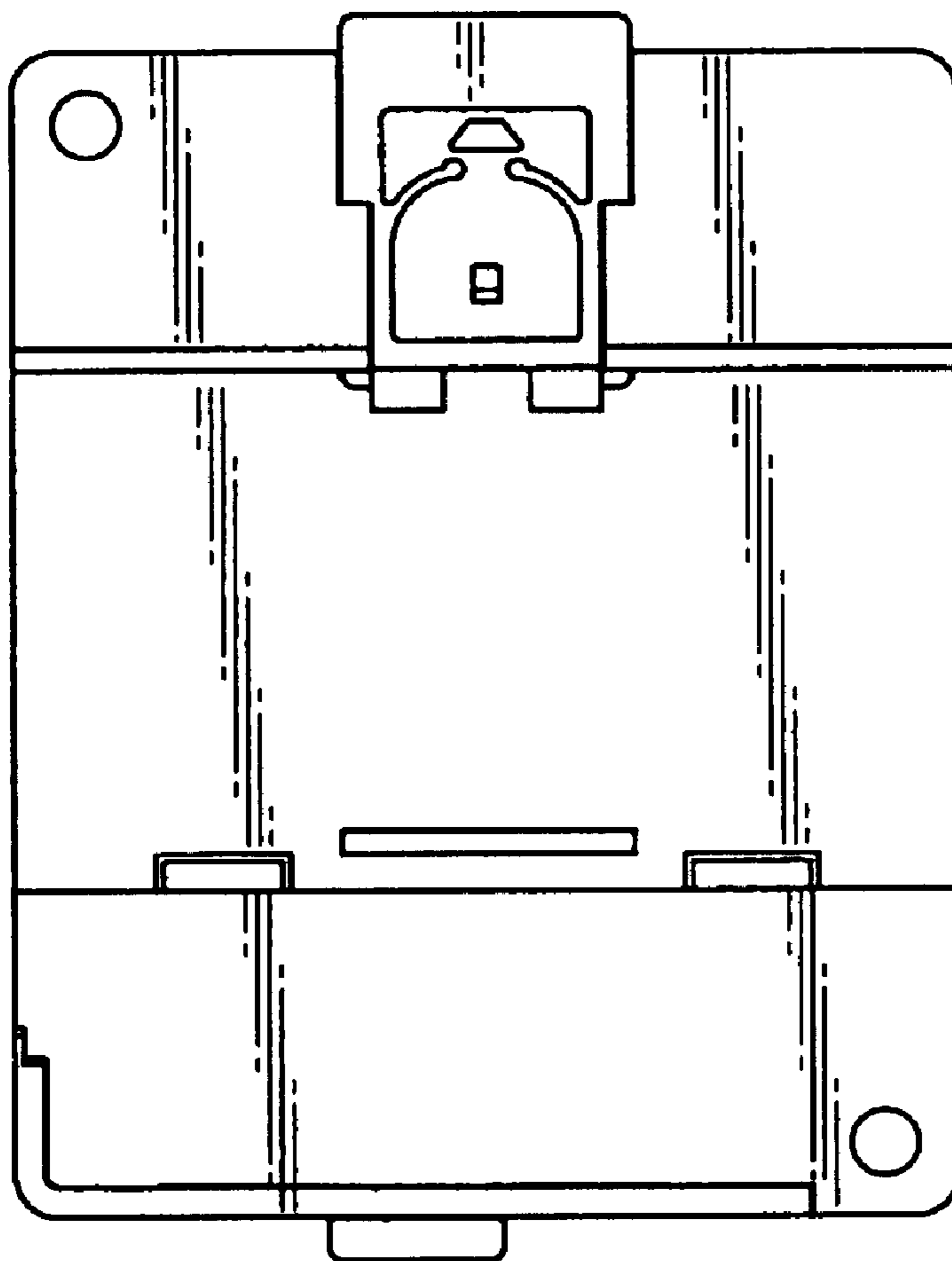


FIG. 4

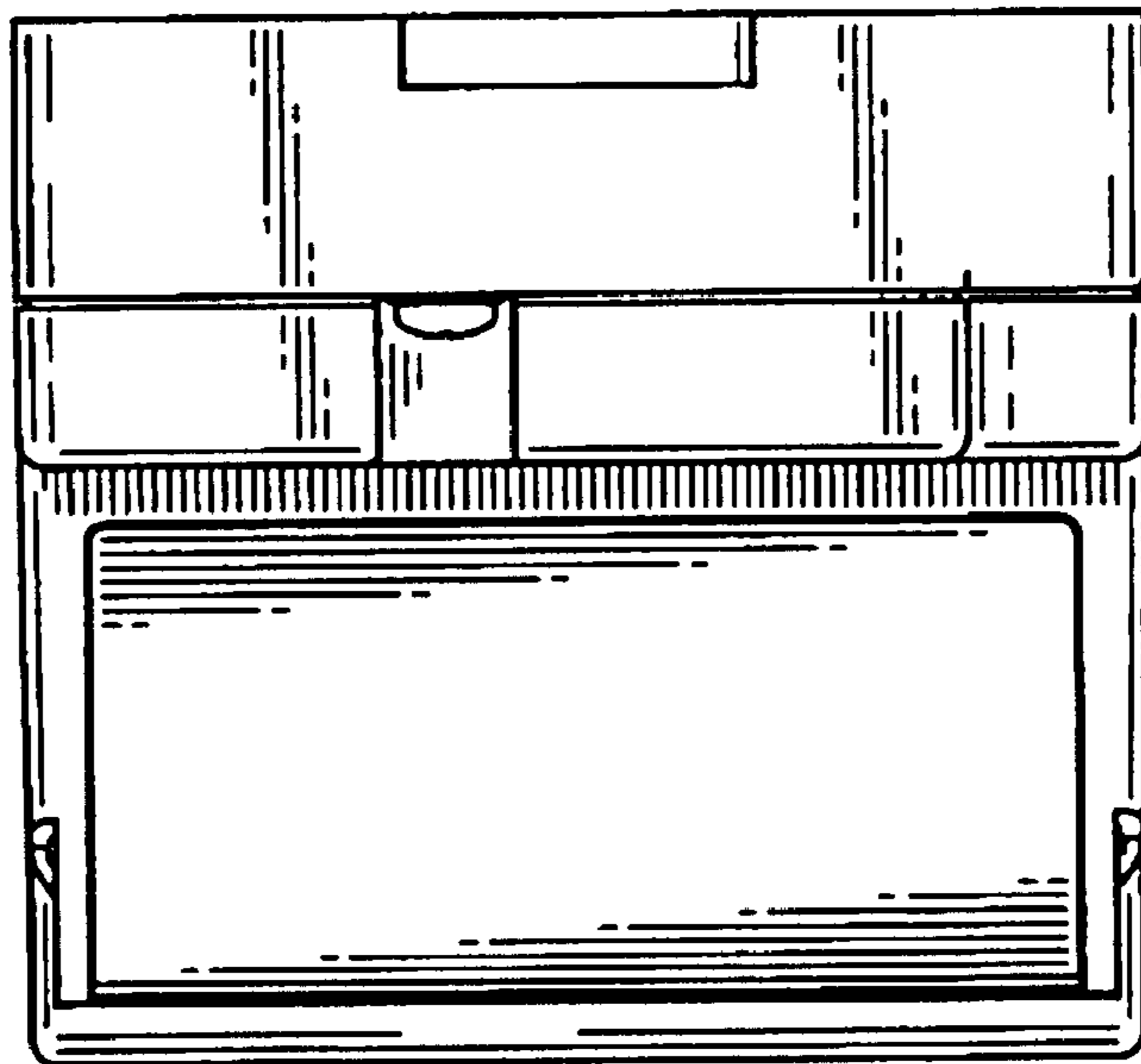


FIG. 5

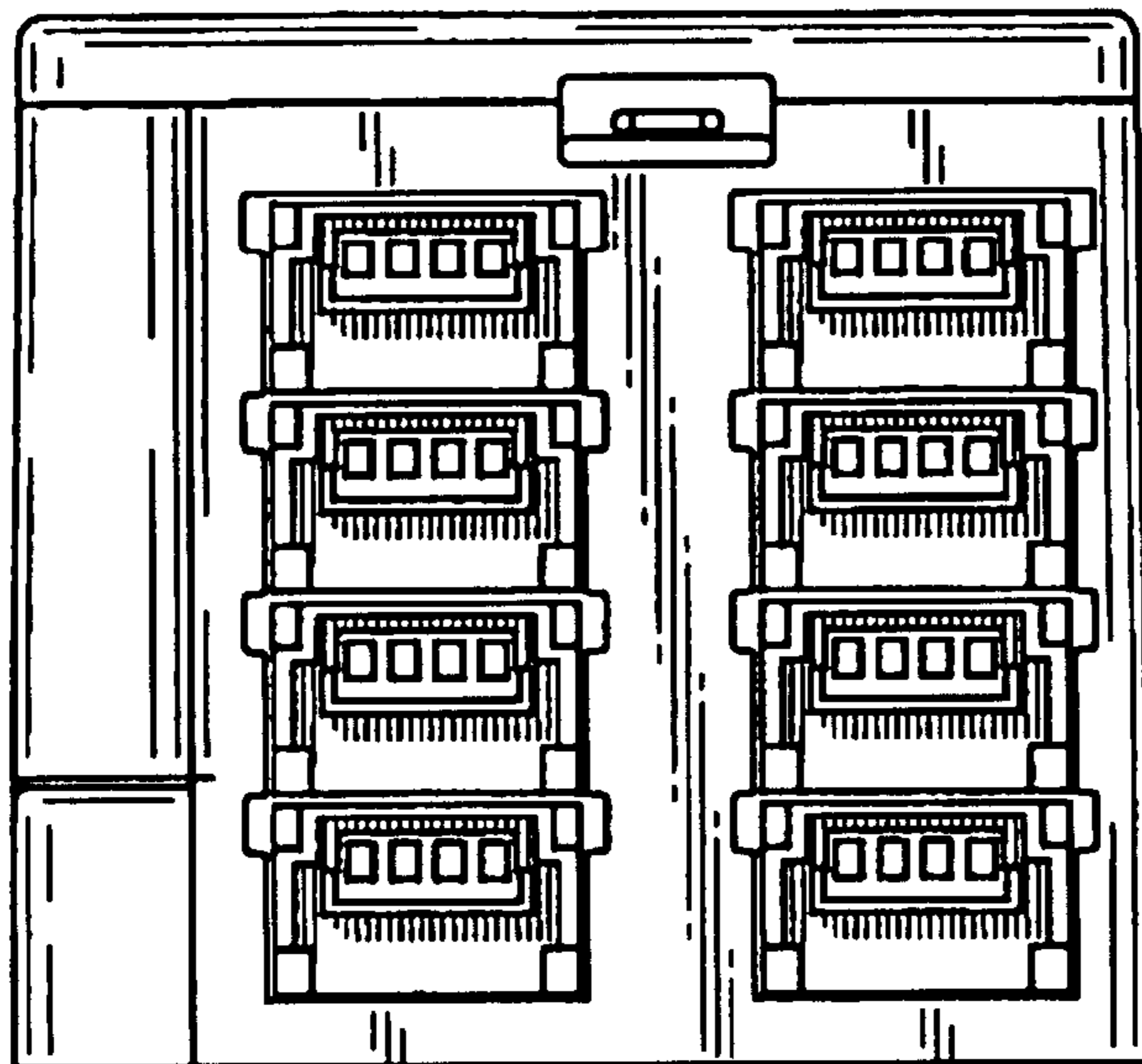


FIG. 6

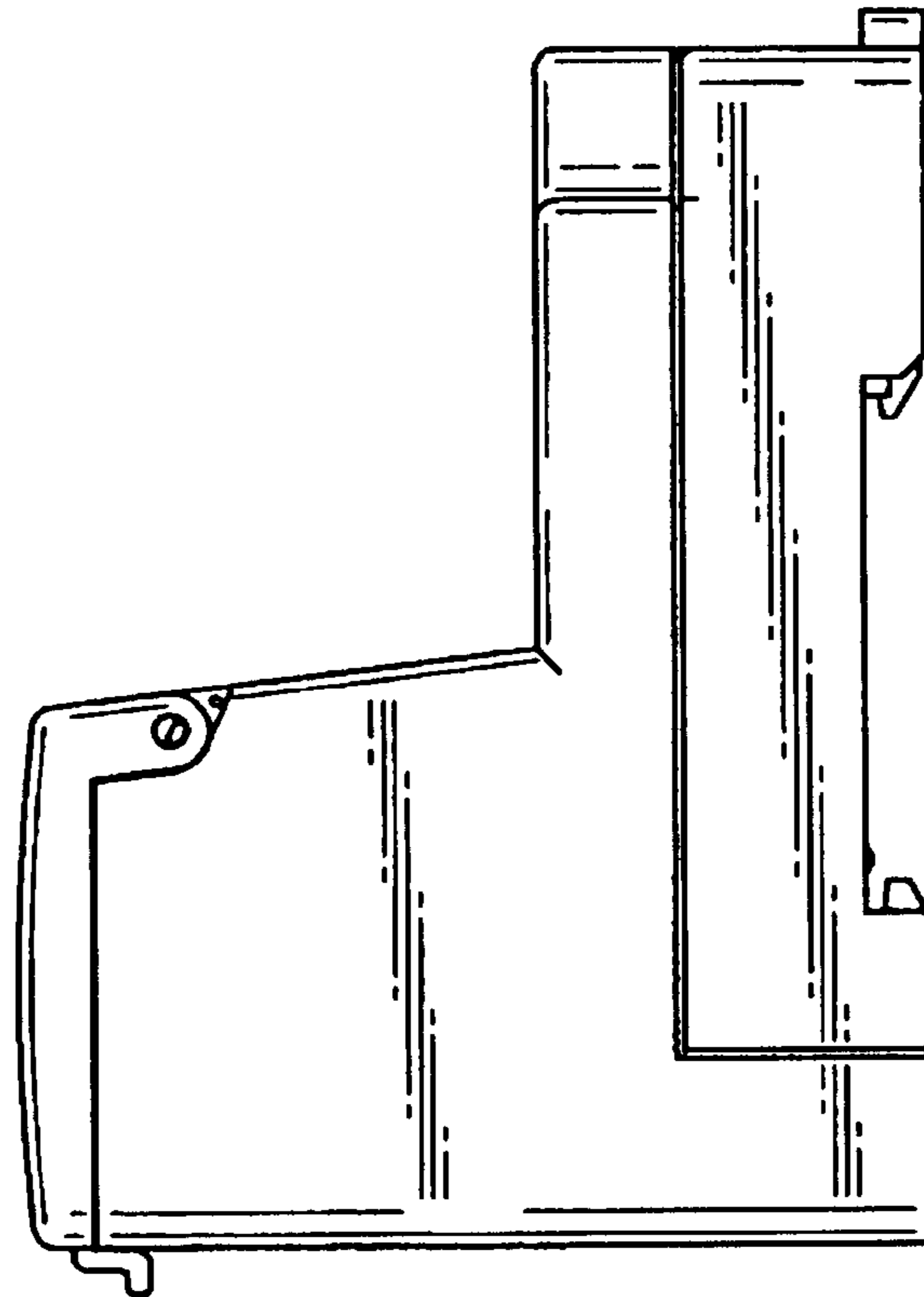


FIG. 7

