



US00D525195S

(12) **United States Design Patent**  
**Palese**

(10) **Patent No.:** **US D525,195 S**

(45) **Date of Patent:** **\*\* Jul. 18, 2006**

(54) **MOTOR HOUSING**

(76) Inventor: **Jeffrey W. Palese**, 5535 Birch St.,  
North Ridgeville, OH (US) 44039

(\*\*) Term: **14 Years**

(21) Appl. No.: **29/227,443**

(22) Filed: **Apr. 12, 2005**

(51) **LOC (8) Cl.** ..... **13-01**

(52) **U.S. Cl.** ..... **D13/112**

(58) **Field of Classification Search** ..... D15/1-5,  
D15/7-9.2; D13/112-114, 118, 184, 199;  
310/10, 51, 85, 88, 89, 91, 40 R; D7/213,  
D7/338

See application file for complete search history.

(56) **References Cited**

**U.S. PATENT DOCUMENTS**

D32,259 S	*	2/1900	Bassett	.....	D13/114
D180,719 S	*	7/1957	Mcknight	.....	D13/113
D245,498 S	*	8/1977	Andreas	.....	D13/112
D245,499 S	*	8/1977	Andreas	.....	D13/112
D297,426 S	*	8/1988	Mabuchi	.....	D13/112

6,093,990 A \* 7/2000 Meeks et al. .... 310/91

\* cited by examiner

*Primary Examiner*—Ian Simmons

*Assistant Examiner*—Maurice Stevens

(74) *Attorney, Agent, or Firm*—Tarolli, Sundheim, Covell  
& Tummino LLP.

(57) **CLAIM**

The ornamental design for a motor housing, as shown and described.

**DESCRIPTION**

FIG. 1 is a perspective view of a motor housing illustrating my new design;

FIG. 2 is a front elevation view thereof;

FIG. 3 is a rear elevation view thereof;

FIG. 4 is a right elevation view thereof

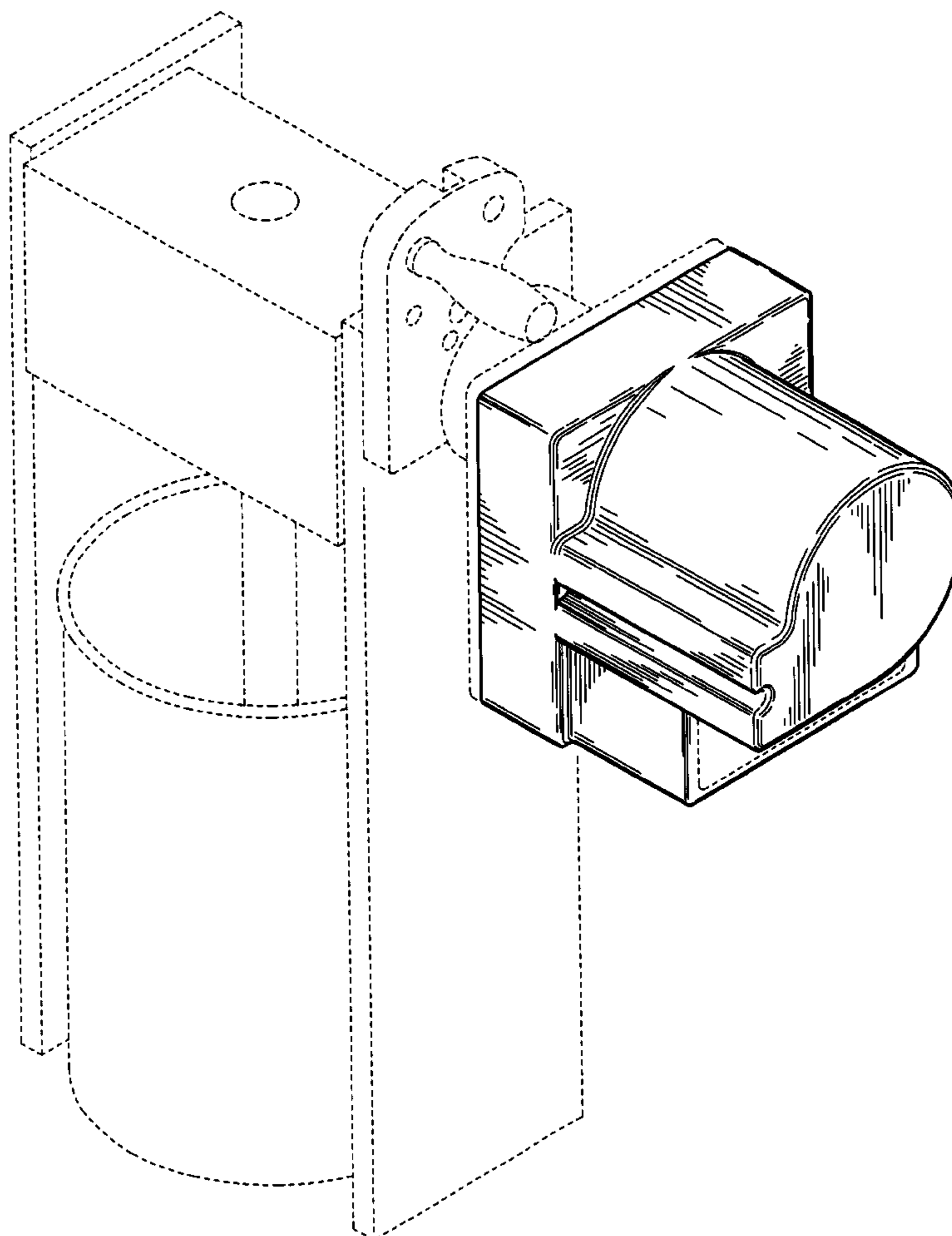
FIG. 5 is a left elevation view thereof;

FIG. 6 is a top view thereof; and,

FIG. 7 is a bottom view thereof.

The broken lines in FIGS. 1-7 are for illustrative purposes only and form no part of the claimed design.

**1 Claim, 4 Drawing Sheets**



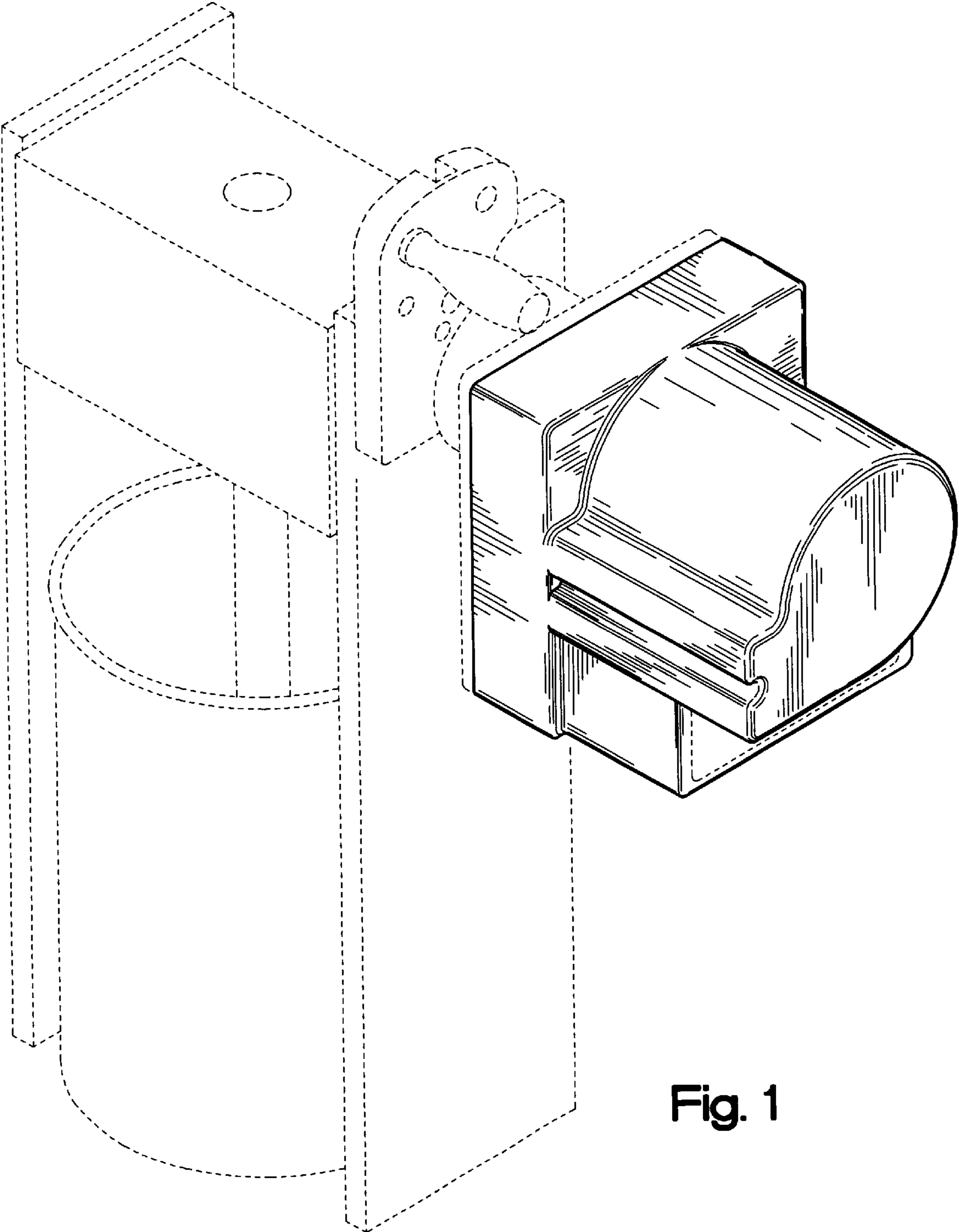


Fig. 1

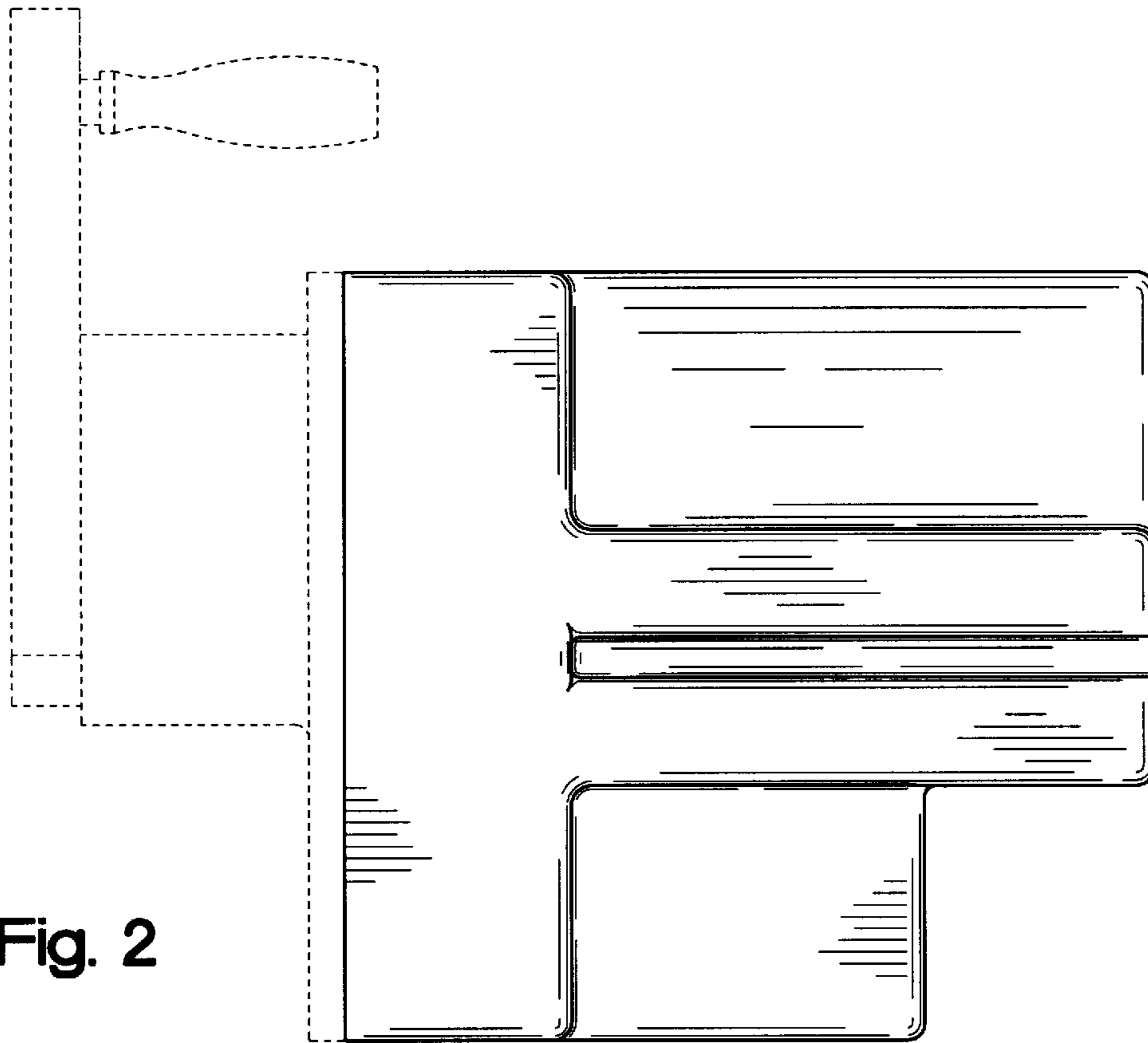


Fig. 2

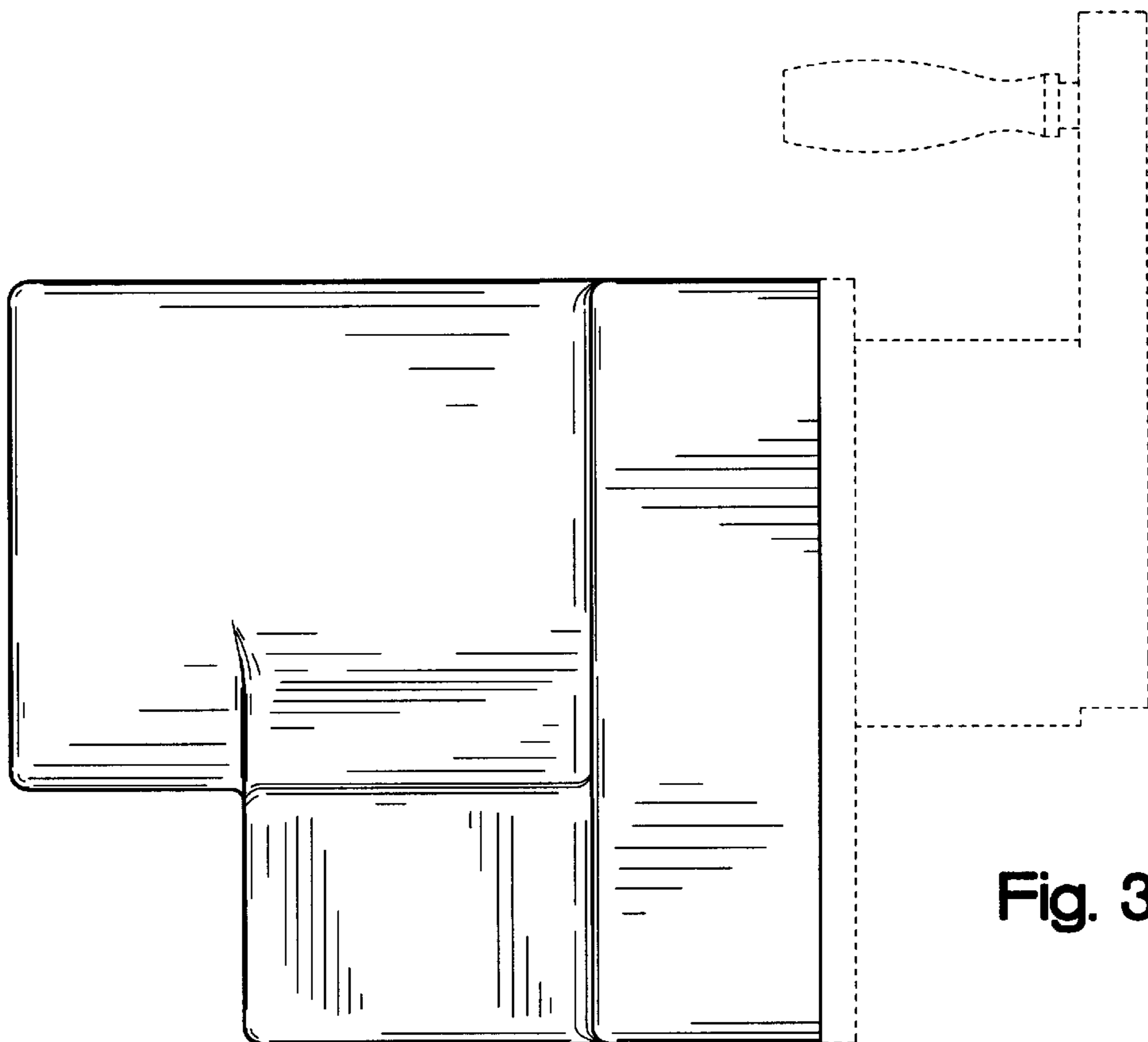


Fig. 3

Fig. 4

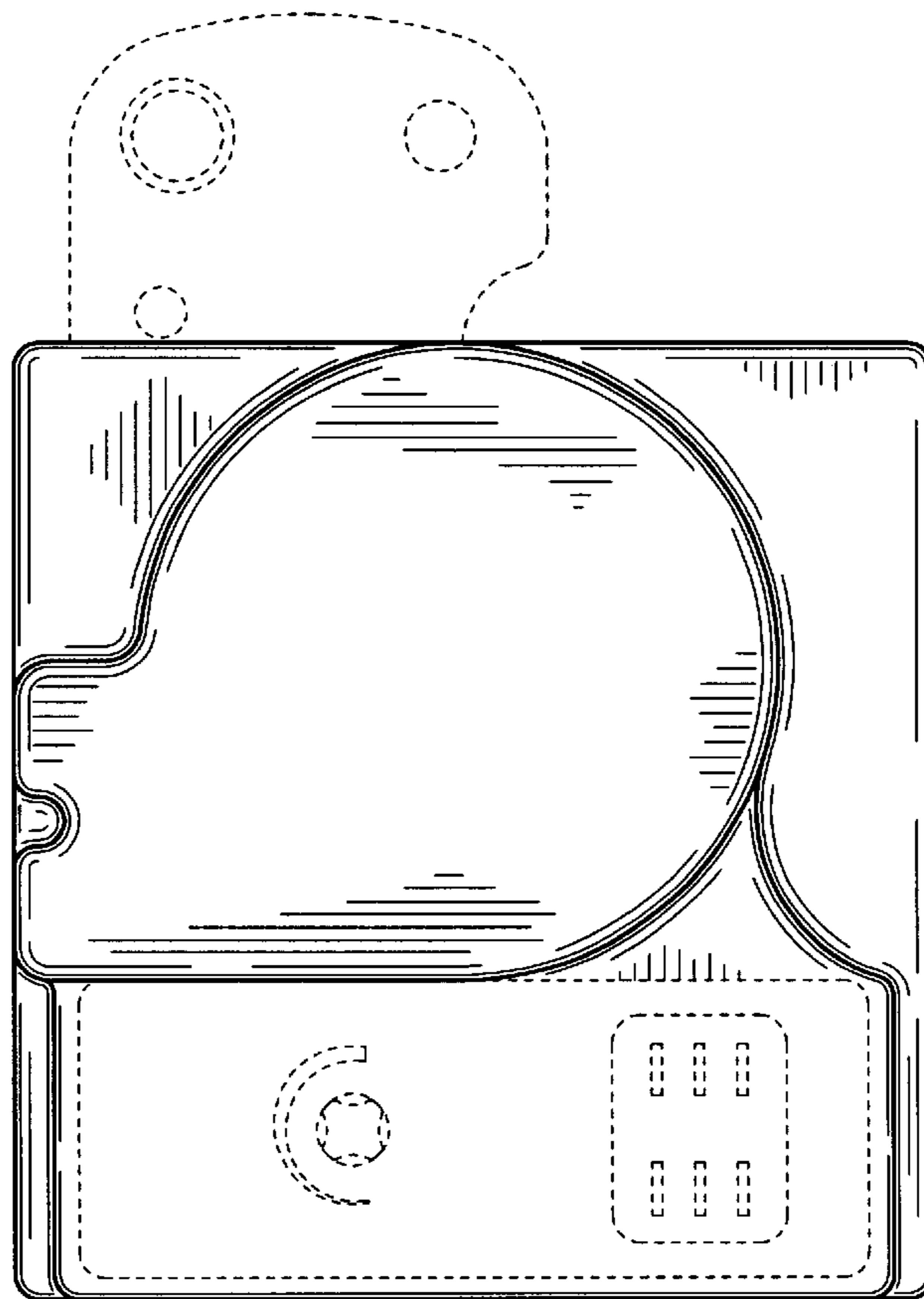
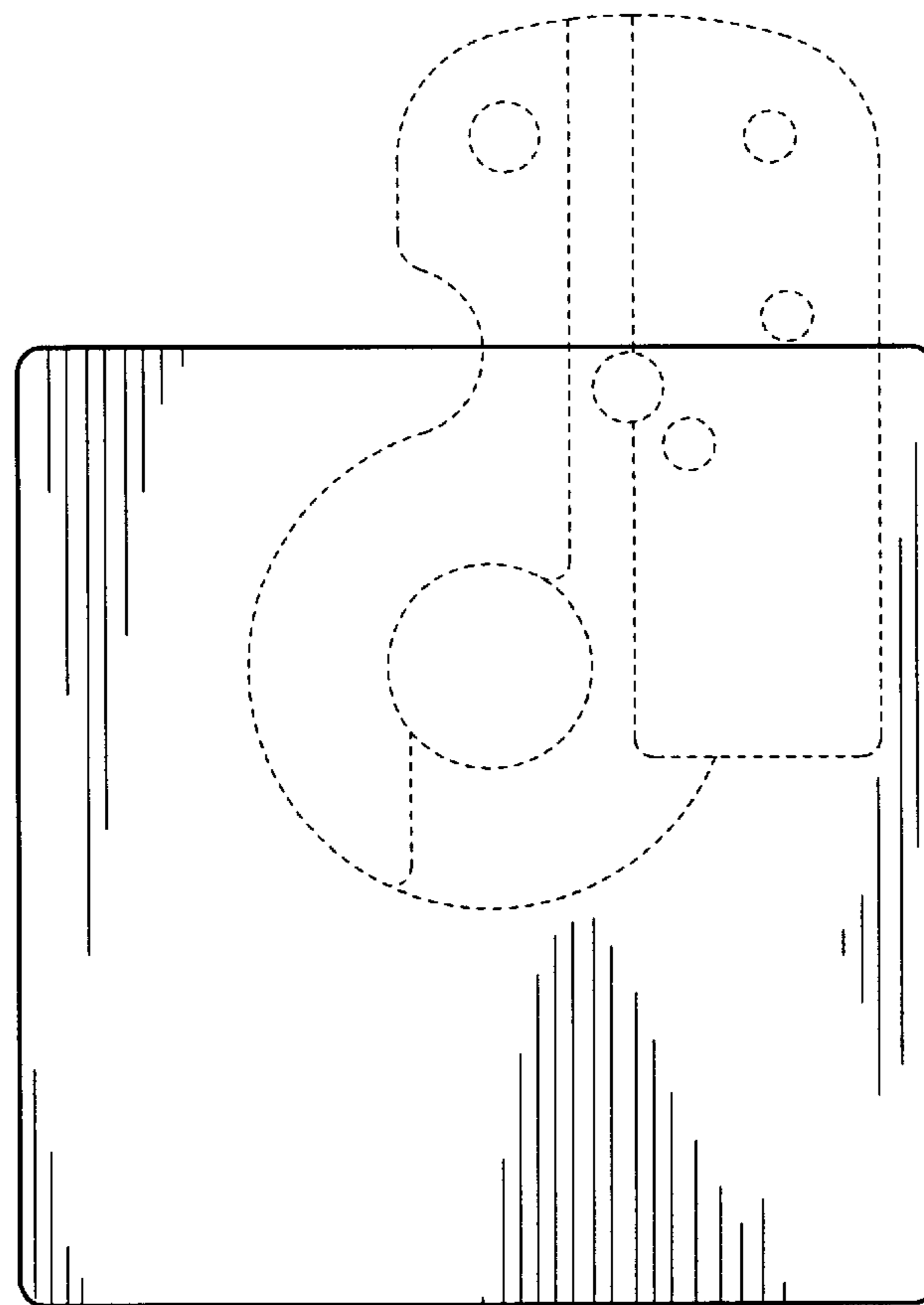


Fig. 5



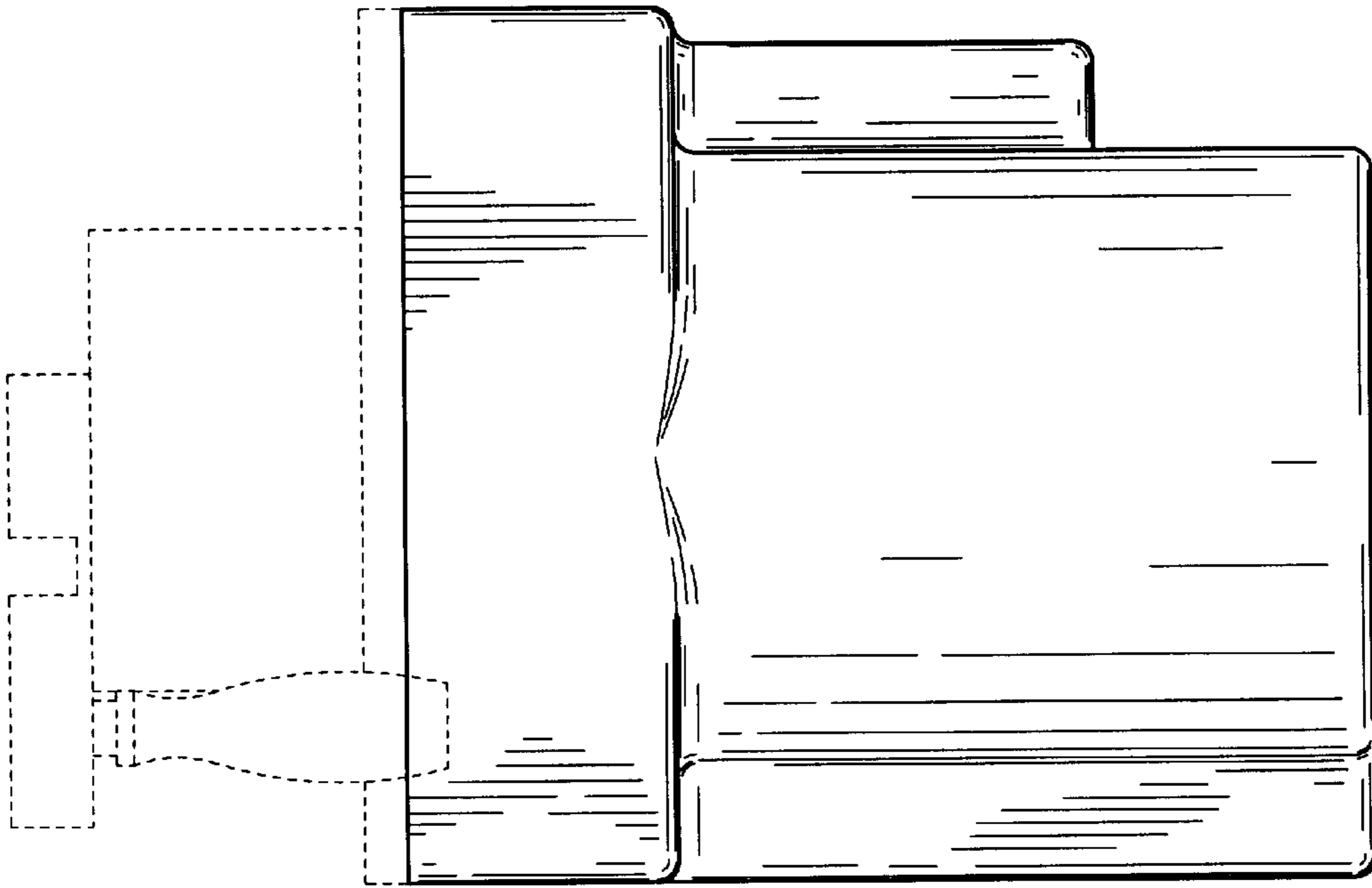


Fig. 6

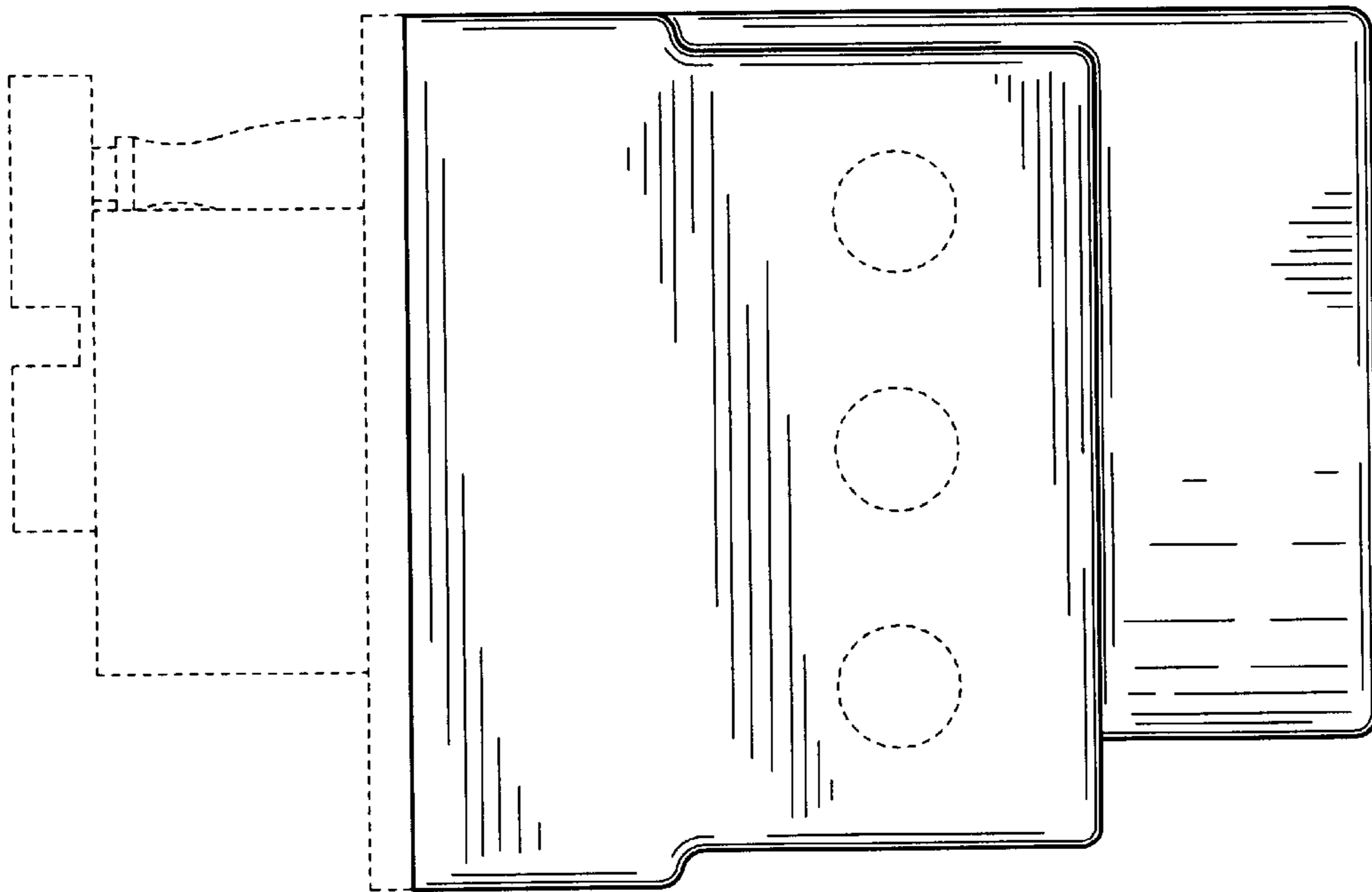


Fig. 7