



US00D525194S

(12) **United States Design Patent**  
**Nagai et al.**

(10) **Patent No.:** **US D525,194 S**

(45) **Date of Patent:** **\*\* Jul. 18, 2006**

(54) **MOTOR CONTROLLER**

(75) Inventors: **Shigekazu Nagai**, Tokyo-to (JP); **Akio Saitoh**, Kawaguchi (JP); **Takeshi Hirose**, Moriya (JP); **Ryoichi Suzuki**, Ibaraki-ken (JP)

(73) Assignee: **SMC Kabushiki Kaisha**, Tokyo (JP)

(\*\*) Term: **14 Years**

(21) Appl. No.: **29/215,169**

(22) Filed: **Oct. 14, 2004**

(30) **Foreign Application Priority Data**

Apr. 21, 2004 (JP) ..... 2004-012123

(51) **LOC (8) Cl.** ..... **13-02**

(52) **U.S. Cl.** ..... **D13/110; D13/123; D13/162**

(58) **Field of Classification Search** ..... D13/101, D13/110, 123, 133, 146-147, 154, 162, 164, D13/184, 199; 361/637, 823; 439/709, 712, 439/715-716

See application file for complete search history.

(56) **References Cited**

**U.S. PATENT DOCUMENTS**

D284,076 S \* 6/1986 Moeller ..... D13/184

D304,170 S	*	10/1989	Kondo et al. ....	D13/110
D343,382 S	*	1/1994	Hagura et al. ....	D13/110
D360,879 S	*	8/1995	Gronwall .....	D13/162
D366,867 S	*	2/1996	Kurokawa et al. ....	D13/162
D379,963 S	*	6/1997	Ikeda et al. ....	D13/110
D455,399 S	*	4/2002	Imamura et al. ....	D13/110
D457,492 S	*	5/2002	Kim .....	D13/110
D510,319 S	*	10/2005	Tuomola et al. ....	D13/110
D511,137 S	*	11/2005	Tuomola et al. ....	D13/110

\* cited by examiner

*Primary Examiner*—Stella Reid

*Assistant Examiner*—Daniel Bui

(74) *Attorney, Agent, or Firm*—Frishauf, Holtz, Goodman & Chick, P.C.

(57) **CLAIM**

The ornamental design for a motor controller, as shown.

**DESCRIPTION**

FIG. 1 is a top, front and right-side perspective view of a motor controller showing our new design;

FIG. 2 is a front view thereof;

FIG. 3 is a rear view thereof;

FIG. 4 is a top plan view thereof;

FIG. 5 is a bottom plan view thereof;

FIG. 6 is a right side view thereof; and,

FIG. 7 is a left side view thereof.

**1 Claim, 7 Drawing Sheets**

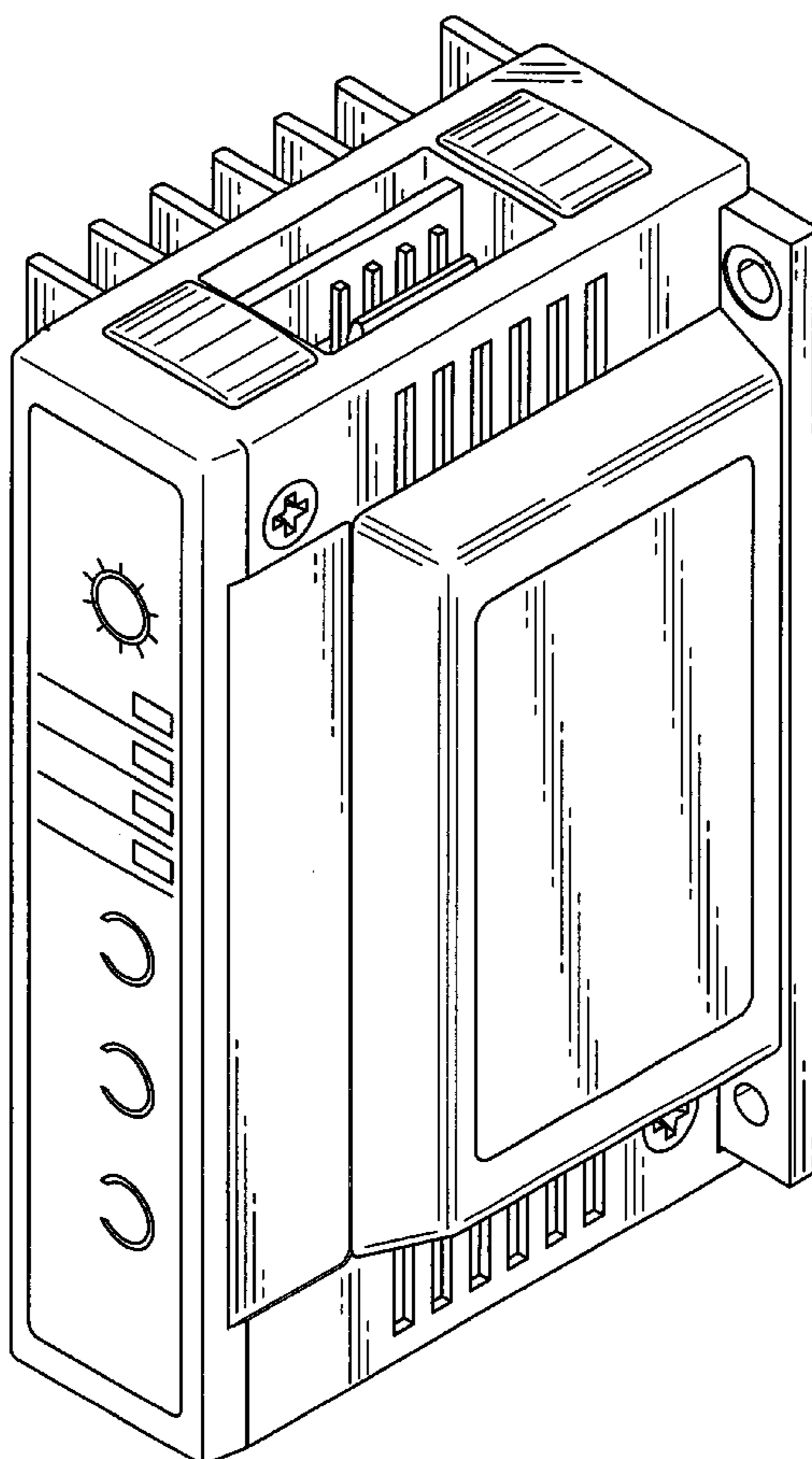


FIG. 1

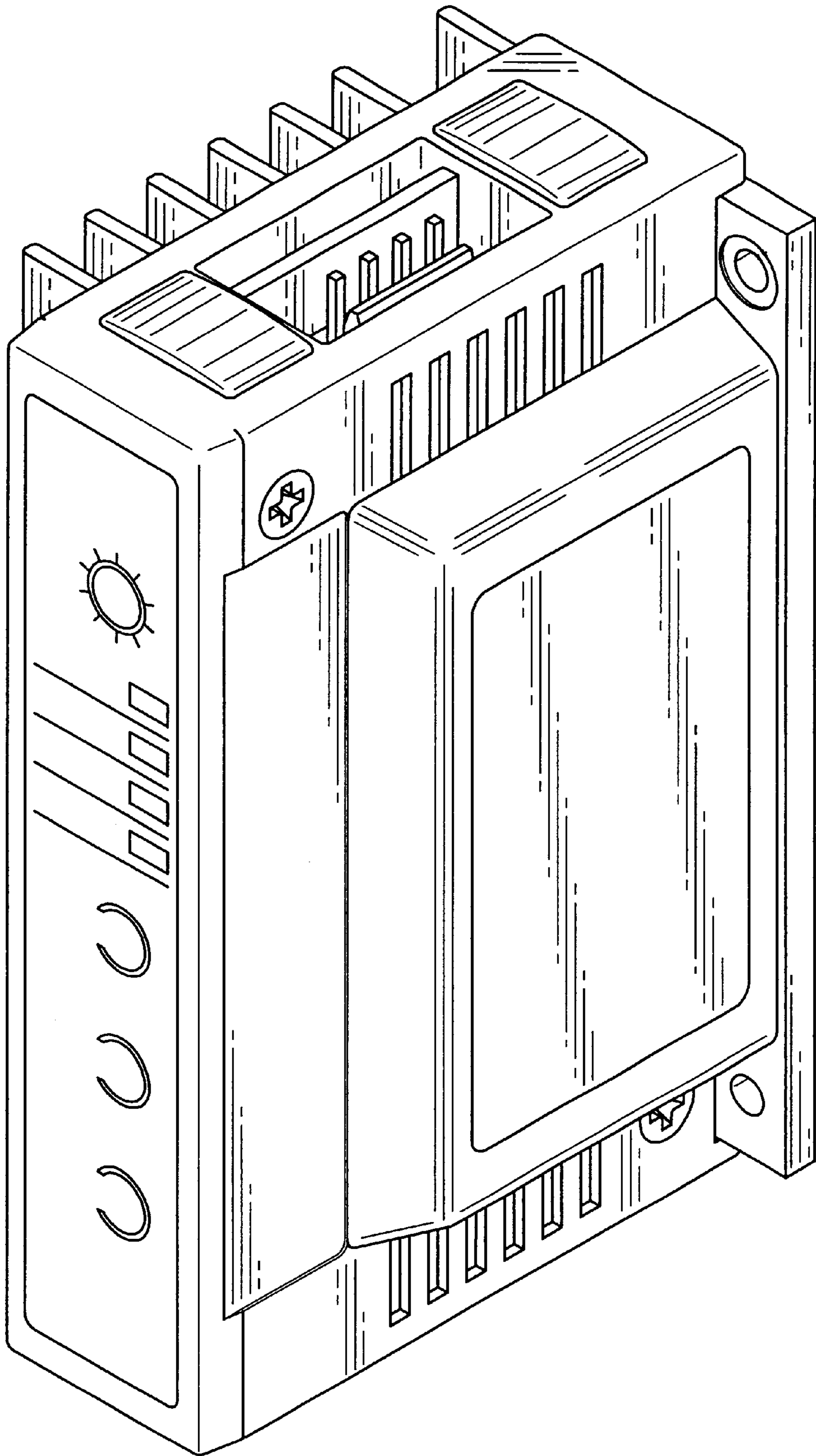


FIG. 2

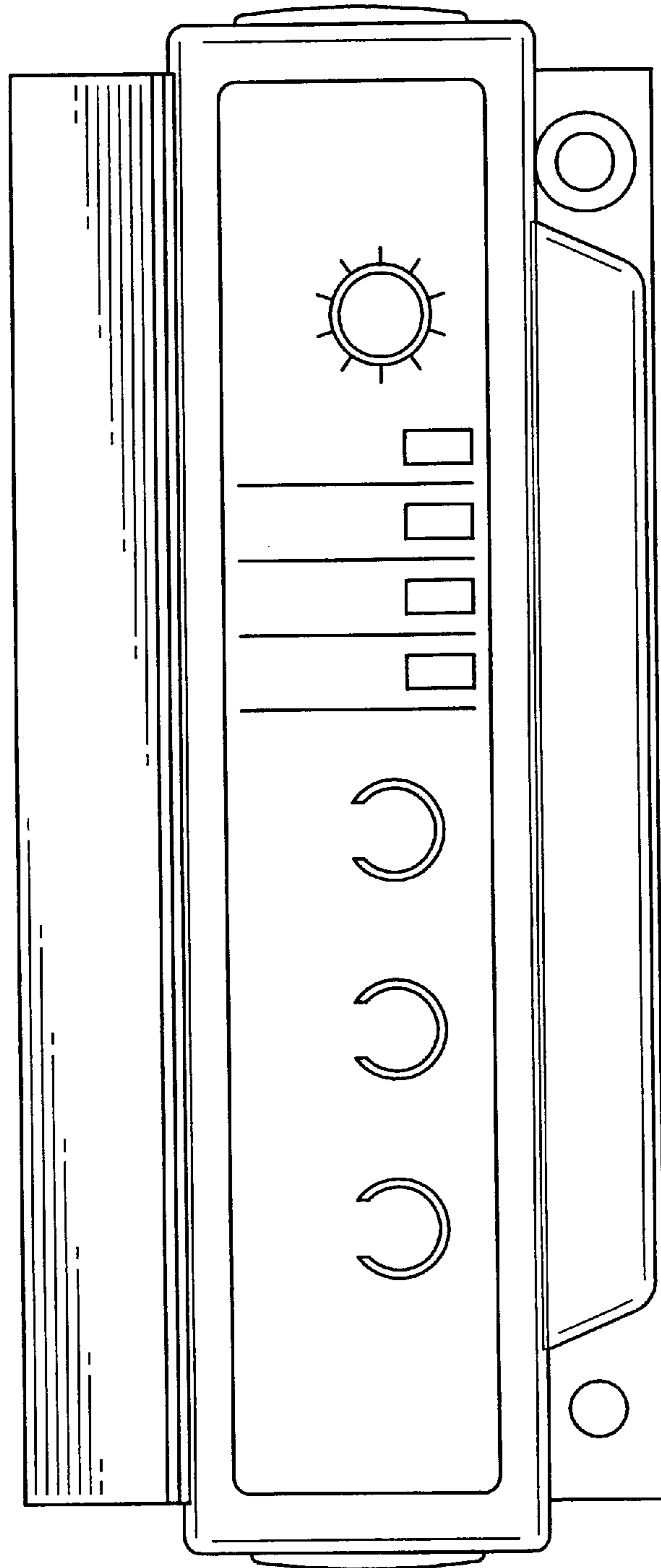


FIG. 3

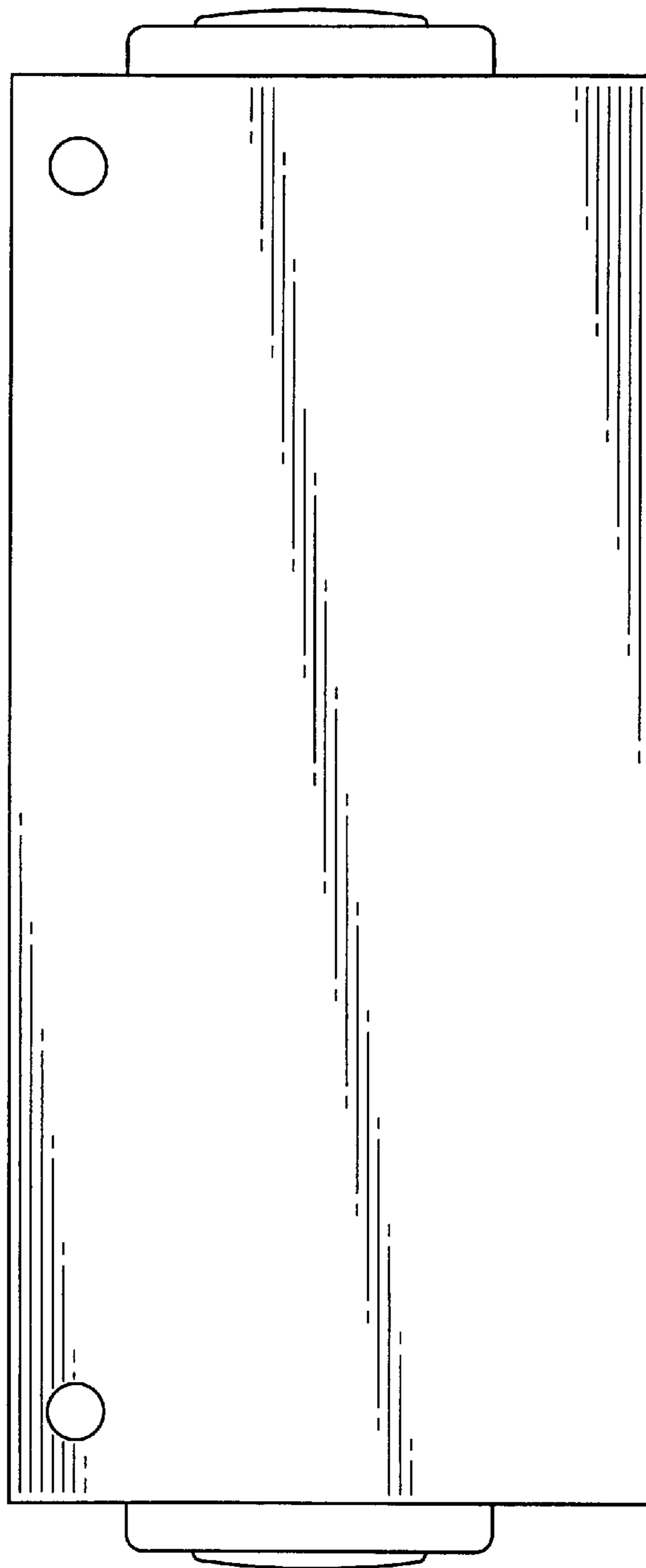


FIG. 4

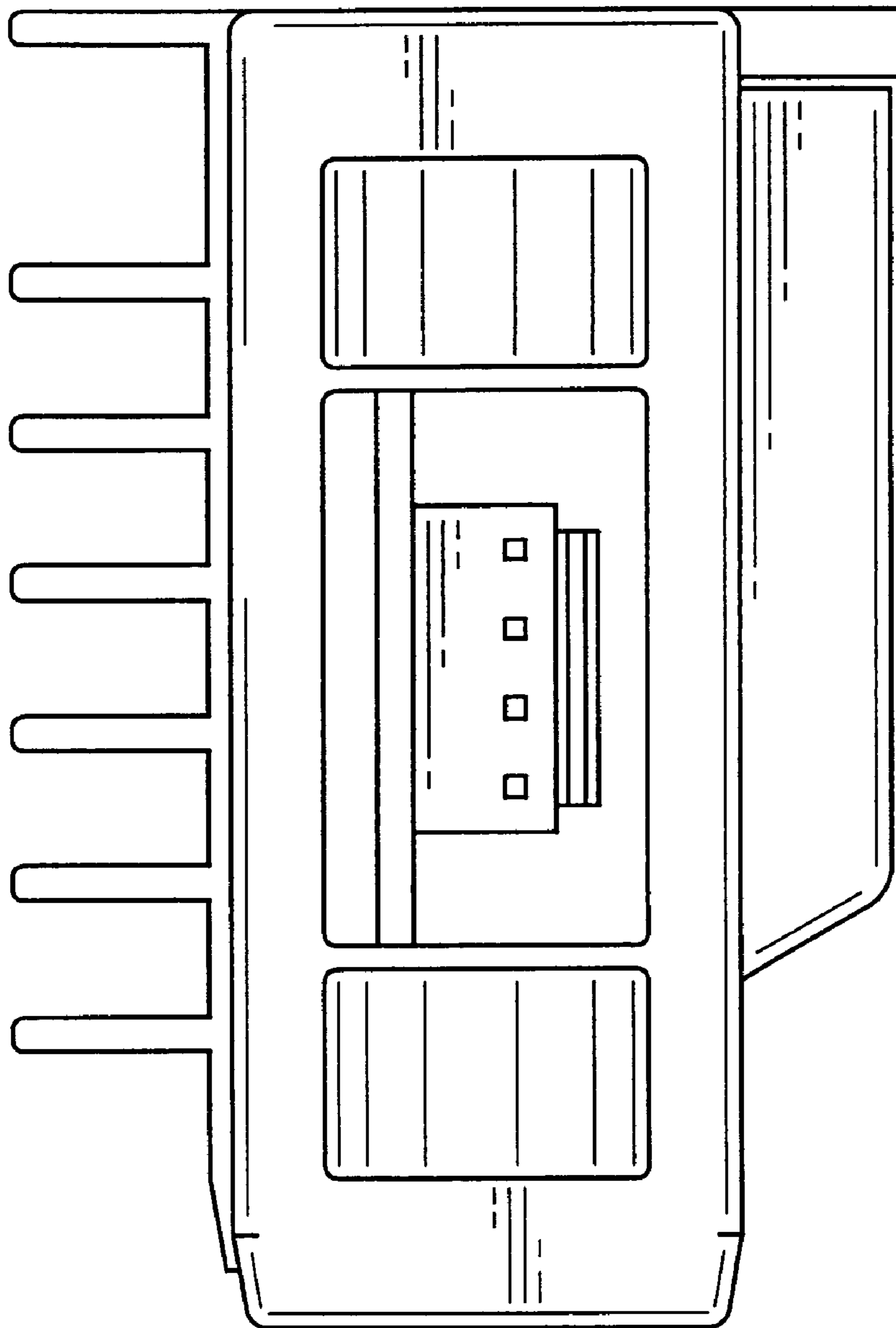


FIG. 5

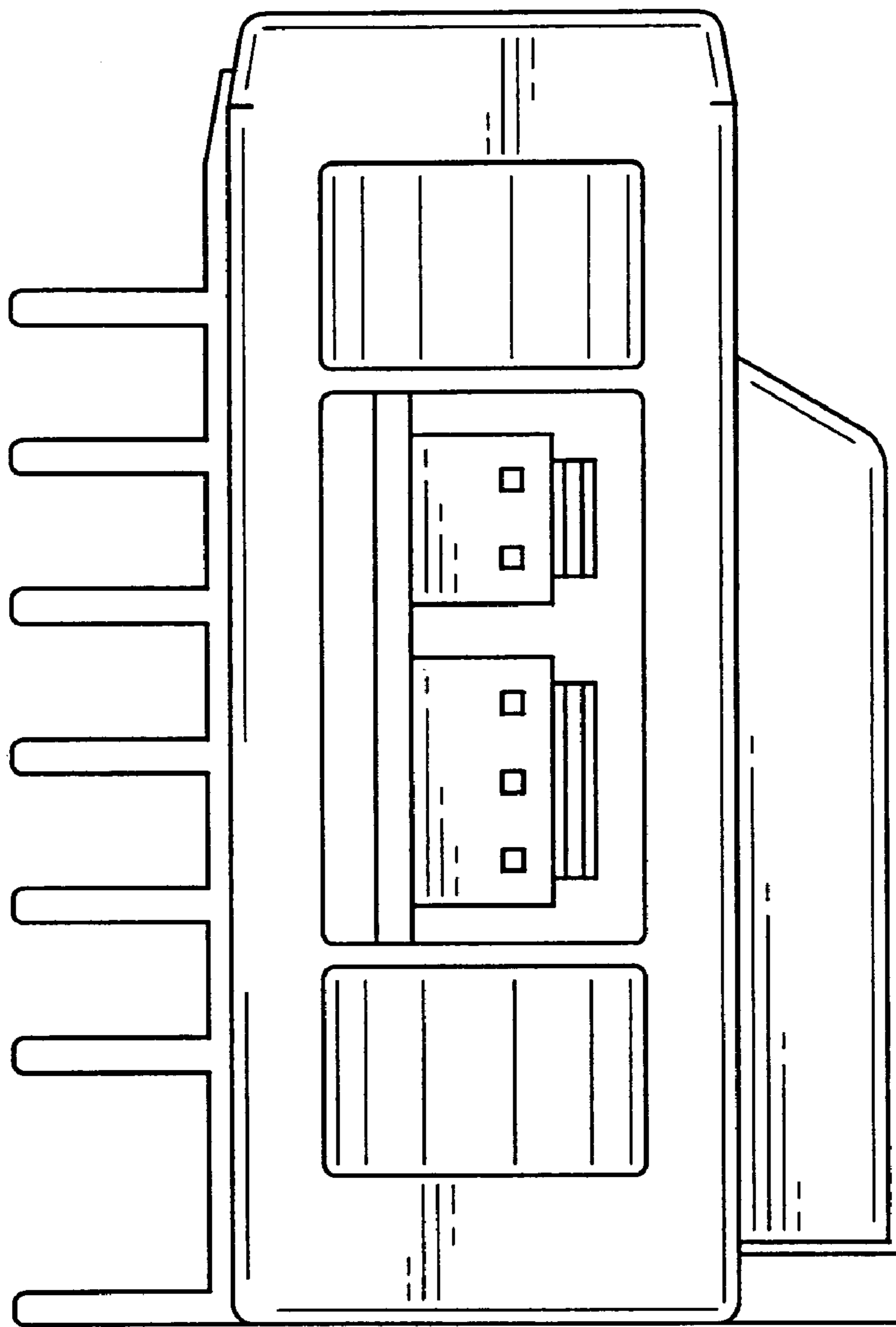


FIG. 6

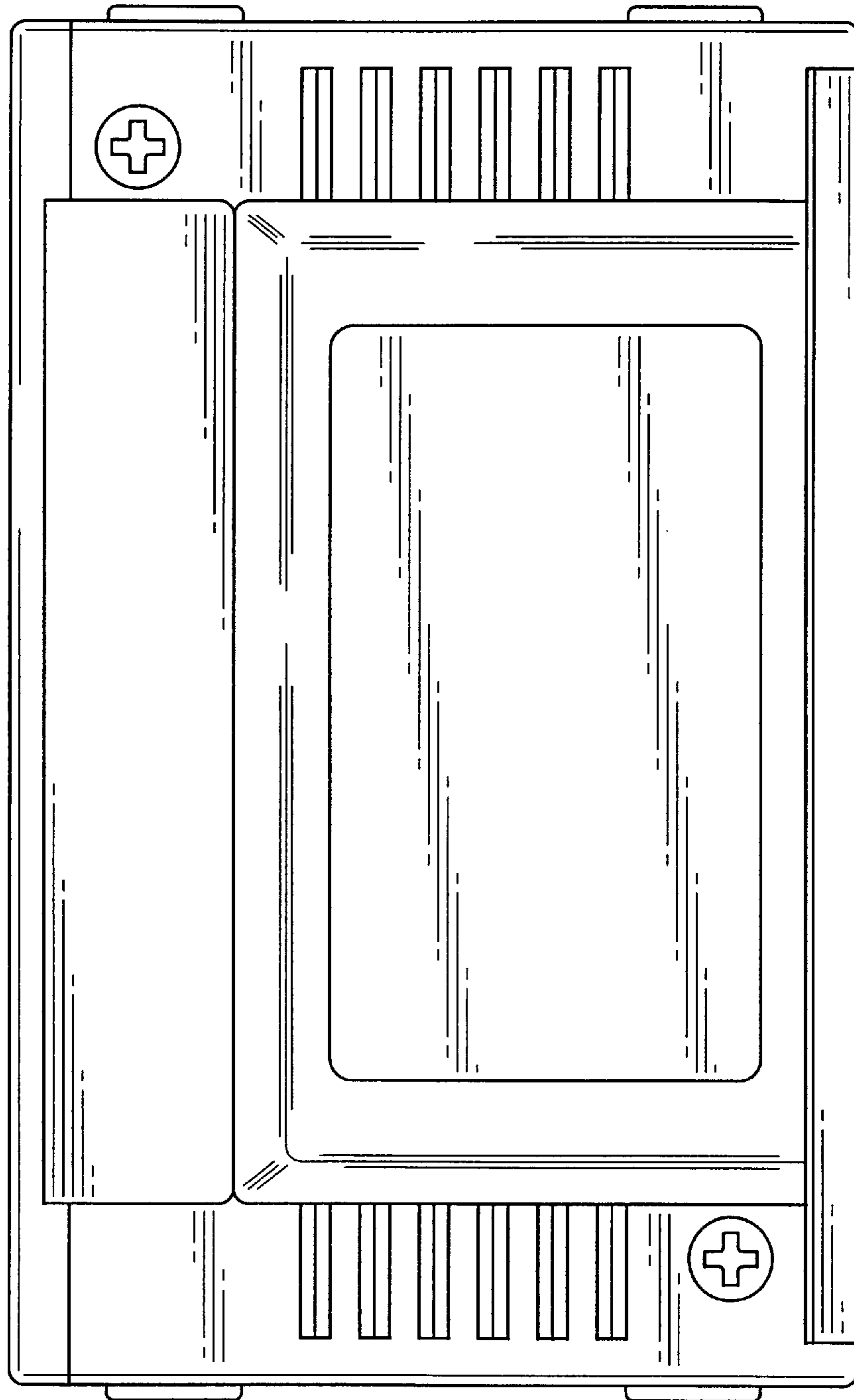


FIG. 7

