

US00D525193S

(12) **United States Design Patent** (10) **Patent No.:** **US D525,193 S**
Vu (45) **Date of Patent:** **** Jul. 18, 2006**

(54) **COMBINATION STAND AND CHARGER UNIT INCLUDING PROTECTIVE COVER**

(75) Inventor: **Duy Phong Vu**, Frankfurt am Main (DE)

(73) Assignee: **Braun GmbH**, Kronberg (DE)

(**) Term: **14 Years**

(21) Appl. No.: **29/232,209**

(22) Filed: **Jun. 16, 2005**

(30) **Foreign Application Priority Data**

Jan. 20, 2005 (EM) 000282488

(51) **LOC (8) Cl.** **13-02**

(52) **U.S. Cl.** **D13/108**

(58) **Field of Classification Search** D13/107-110, D13/118-119, 184; D14/251, 253, 432, 434; D16/219, 237, 242; 320/107-115

See application file for complete search history.

(56) **References Cited**

U.S. PATENT DOCUMENTS

- D216,292 S * 12/1969 De Varco D13/108
- D219,985 S * 2/1971 Ray D13/108
- D289,996 S * 5/1987 Oord et al. D13/108
- D334,170 S * 3/1993 Rams et al. D13/108
- D358,801 S * 5/1995 Vos D13/108

- D418,108 S * 12/1999 Snider D13/108
- D420,974 S * 2/2000 Minagawa D13/108
- D433,992 S * 11/2000 Luecke D13/108
- D460,962 S * 7/2002 Peiker D14/253
- D488,439 S * 4/2004 Orthey D13/107
- D511,745 S * 11/2005 Lamason et al. D13/108
- 2003/0085687 A1 * 5/2003 Stratmann et al. 320/114
- 2005/0156562 A1 * 7/2005 Cohen et al. 320/107

* cited by examiner

Primary Examiner—Alan P. Douglas

Assistant Examiner—Rosemary K. Tarcza

(74) *Attorney, Agent, or Firm*—Fish & Richardson P.C.

(57) **CLAIM**

The ornamental design for a combination stand and charger unit including protective cover, as shown and described.

DESCRIPTION

FIG. 1 is a perspective view of a combination stand and charger unit including protective cover from above, showing my new design;

FIG. 2 is a top plan view of the appliance thereof;

FIG. 3 is a front view of the appliance thereof;

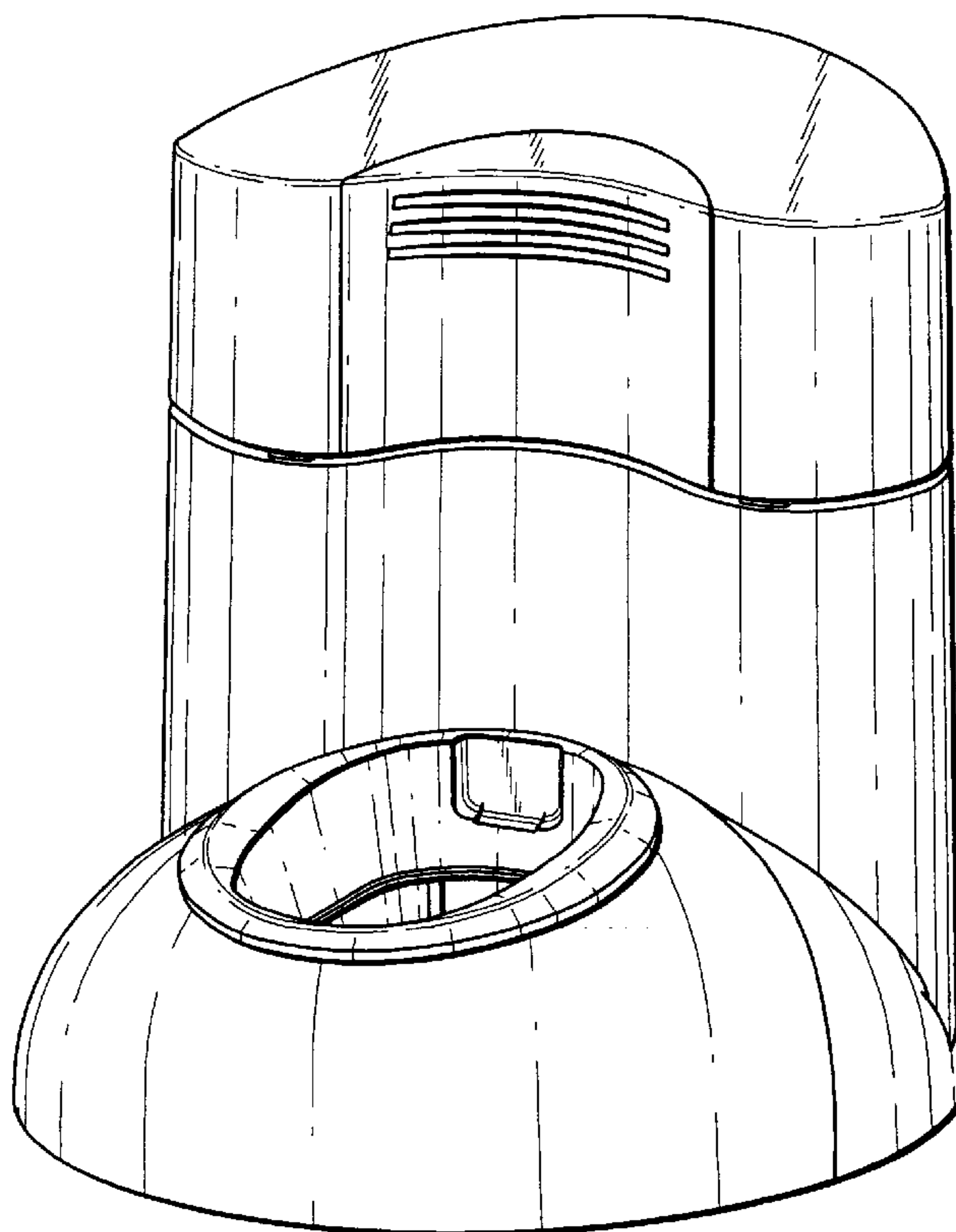
FIG. 4 is a rear view of the appliance thereof;

FIG. 5 is a bottom plan view of the appliance thereof; and,

FIG. 6 is a side view of the appliance thereof.

The broken line showing is for illustrative purposes only and forms no part of the claimed design.

1 Claim, 4 Drawing Sheets



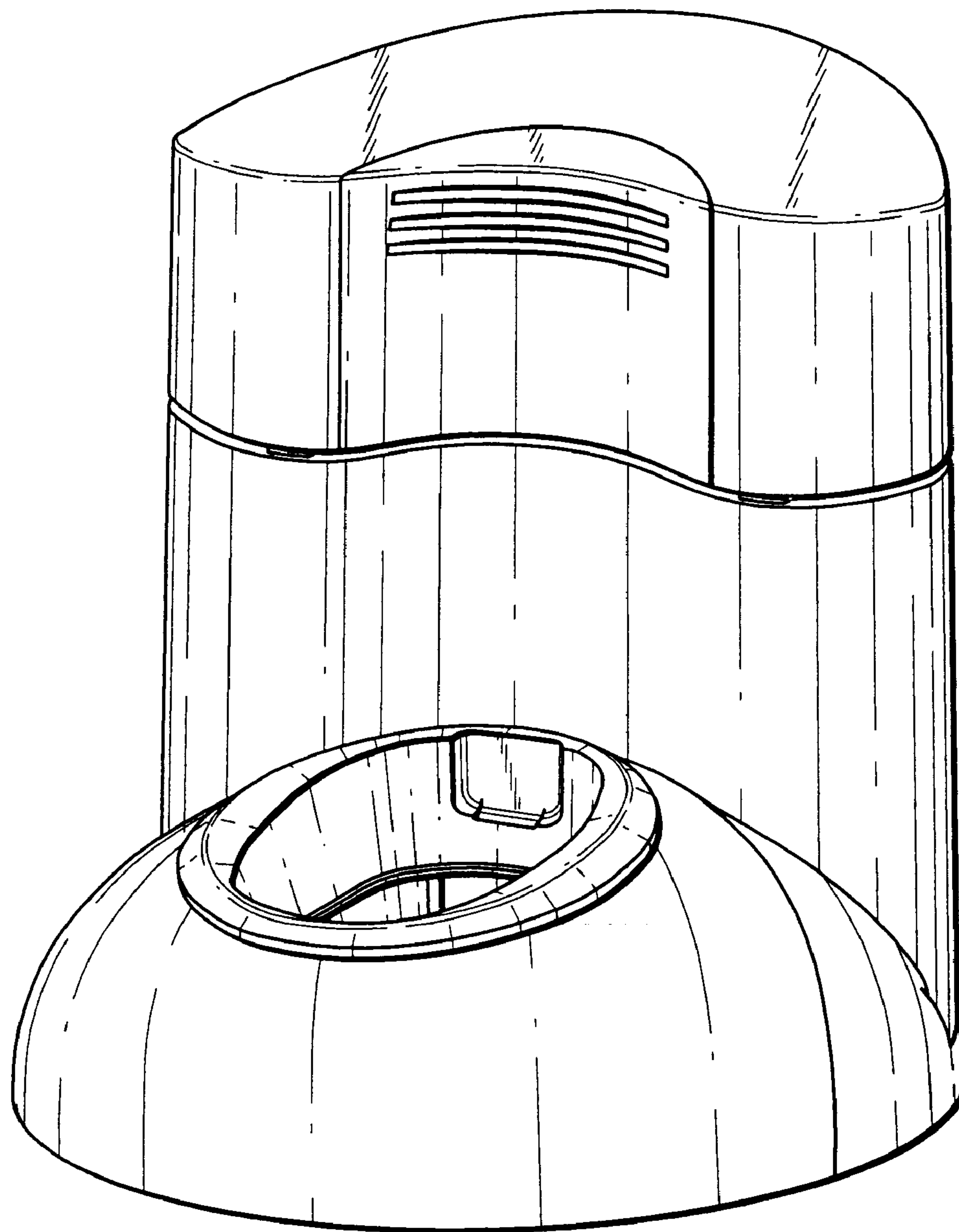


Fig. 1

Fig. 2

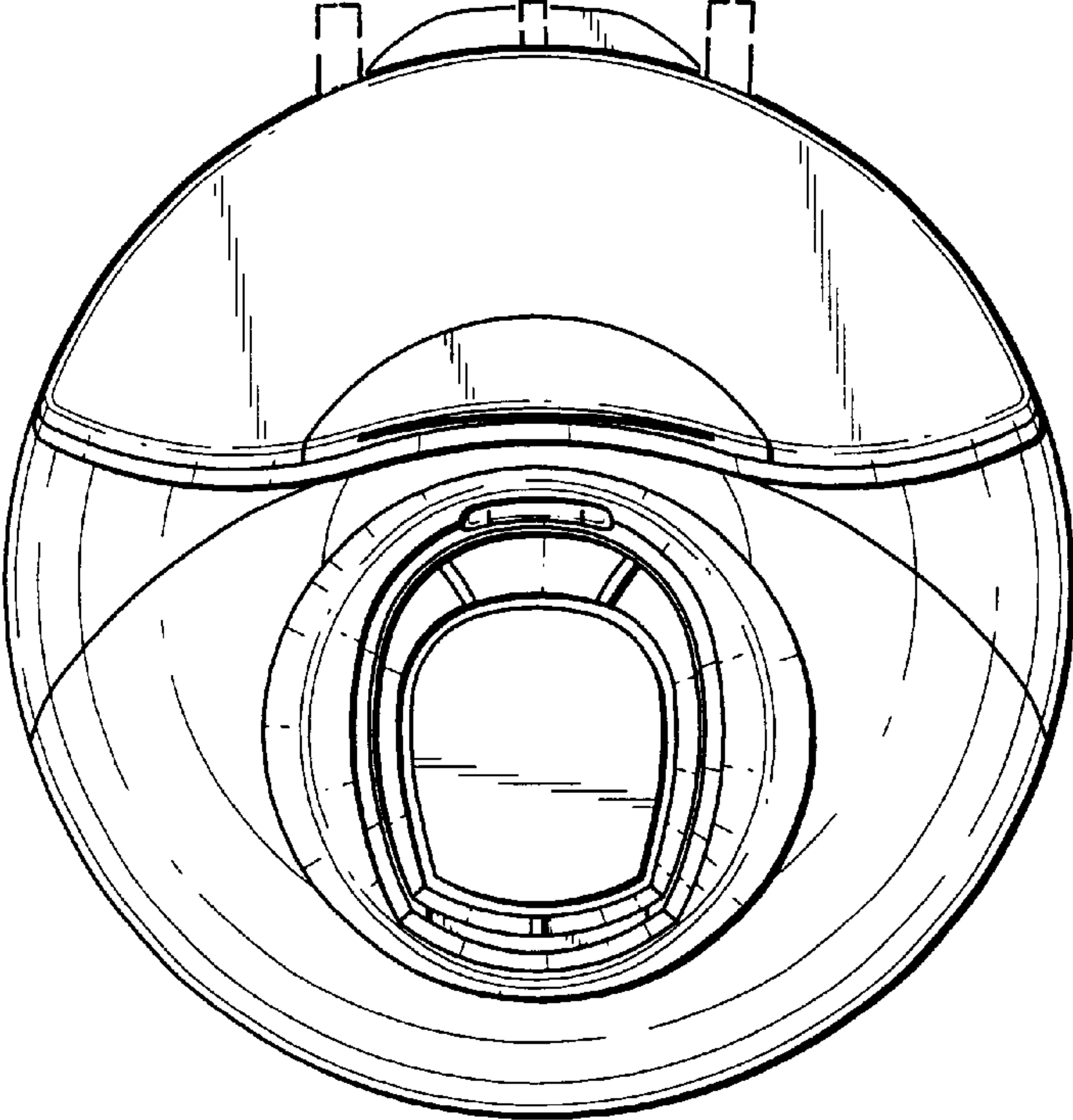


Fig. 3

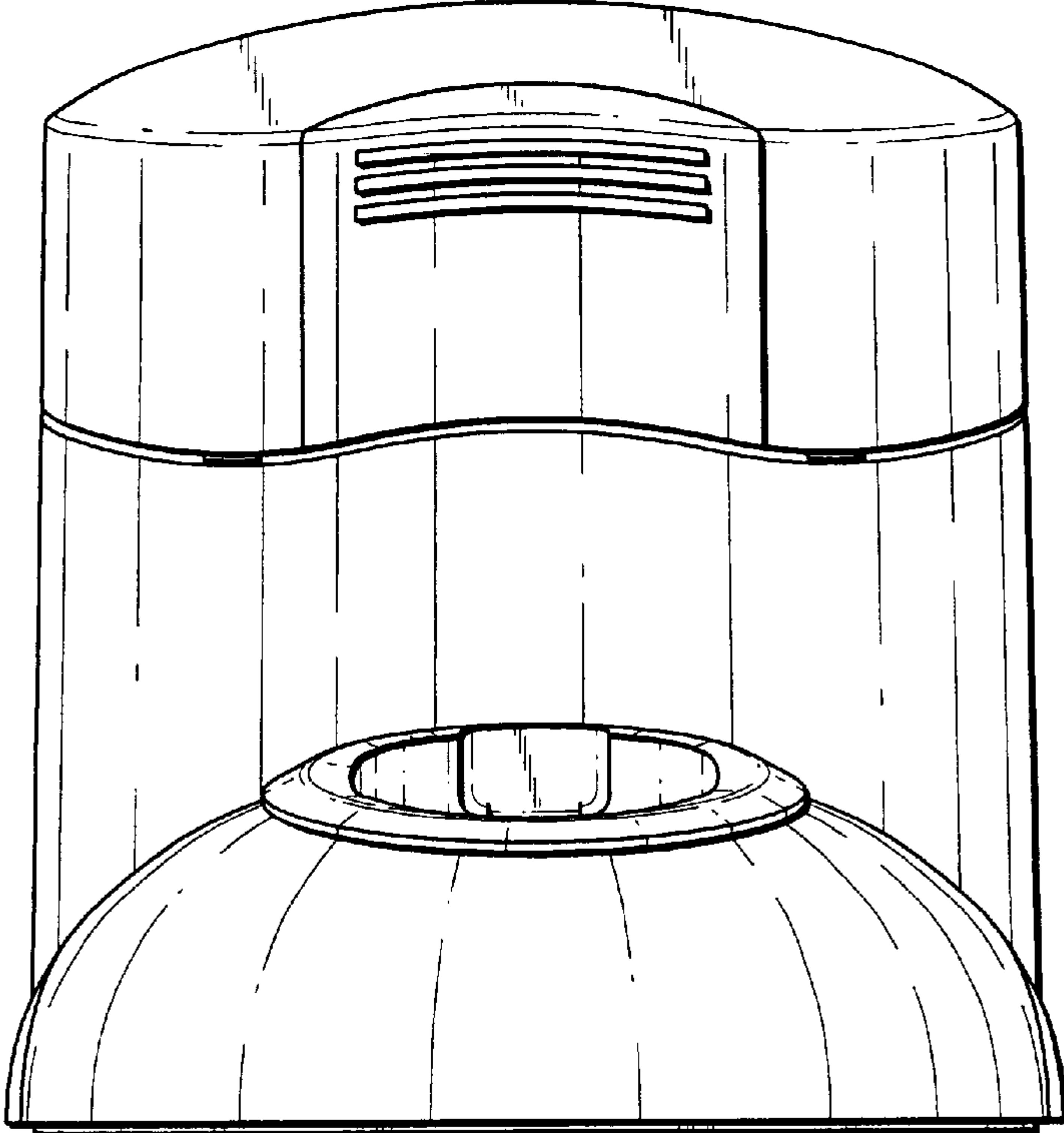


Fig. 4

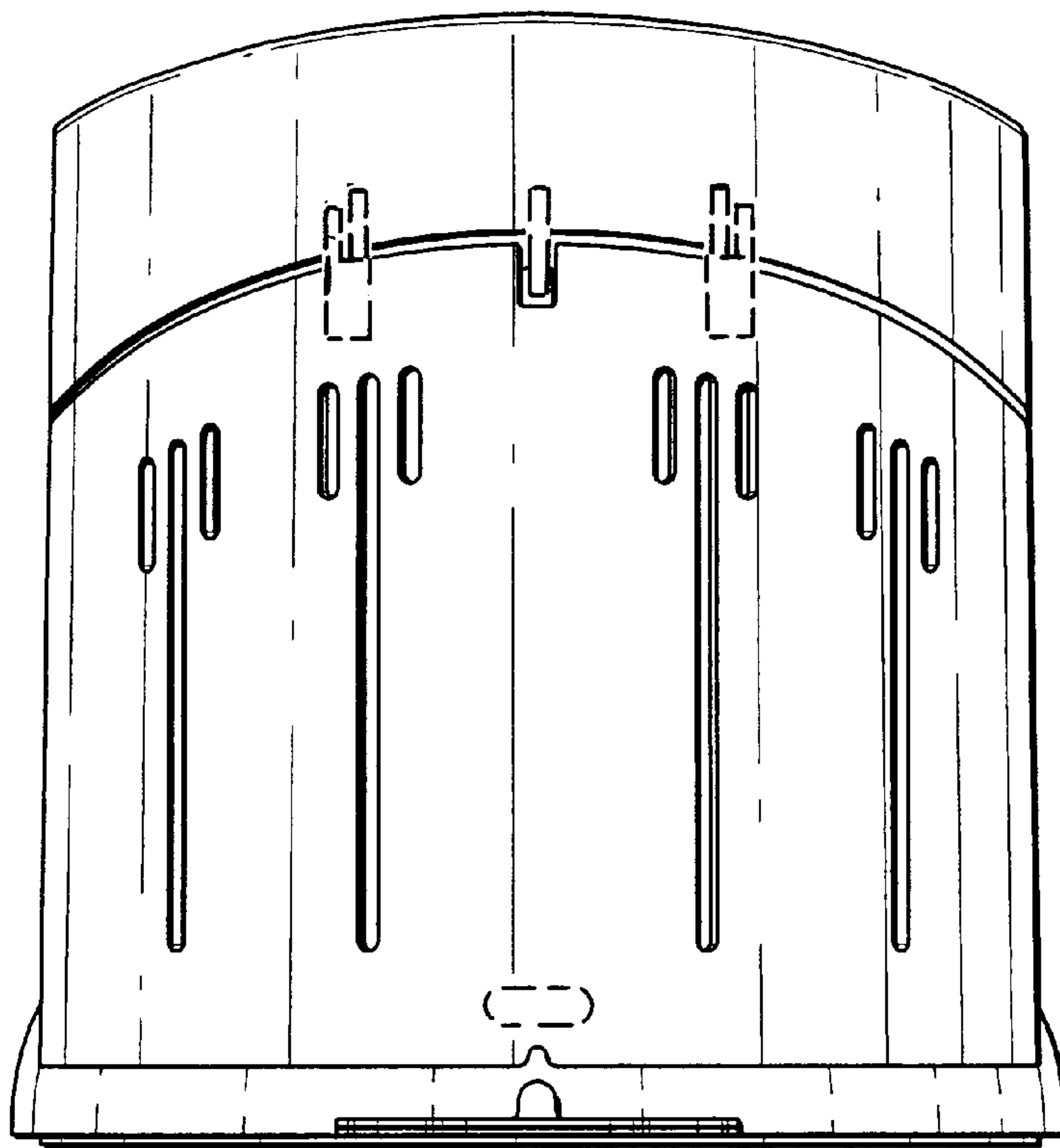
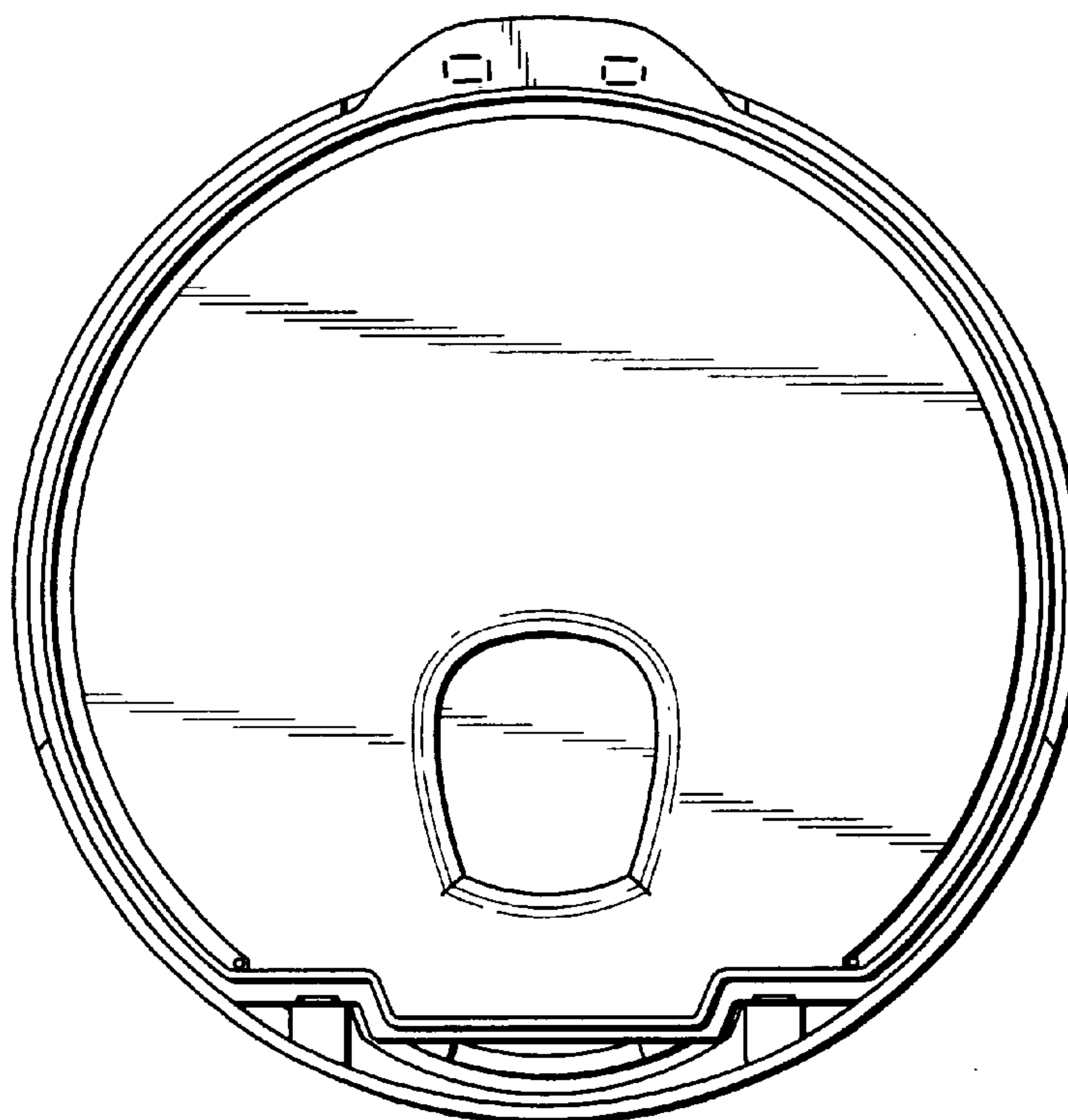


Fig. 5



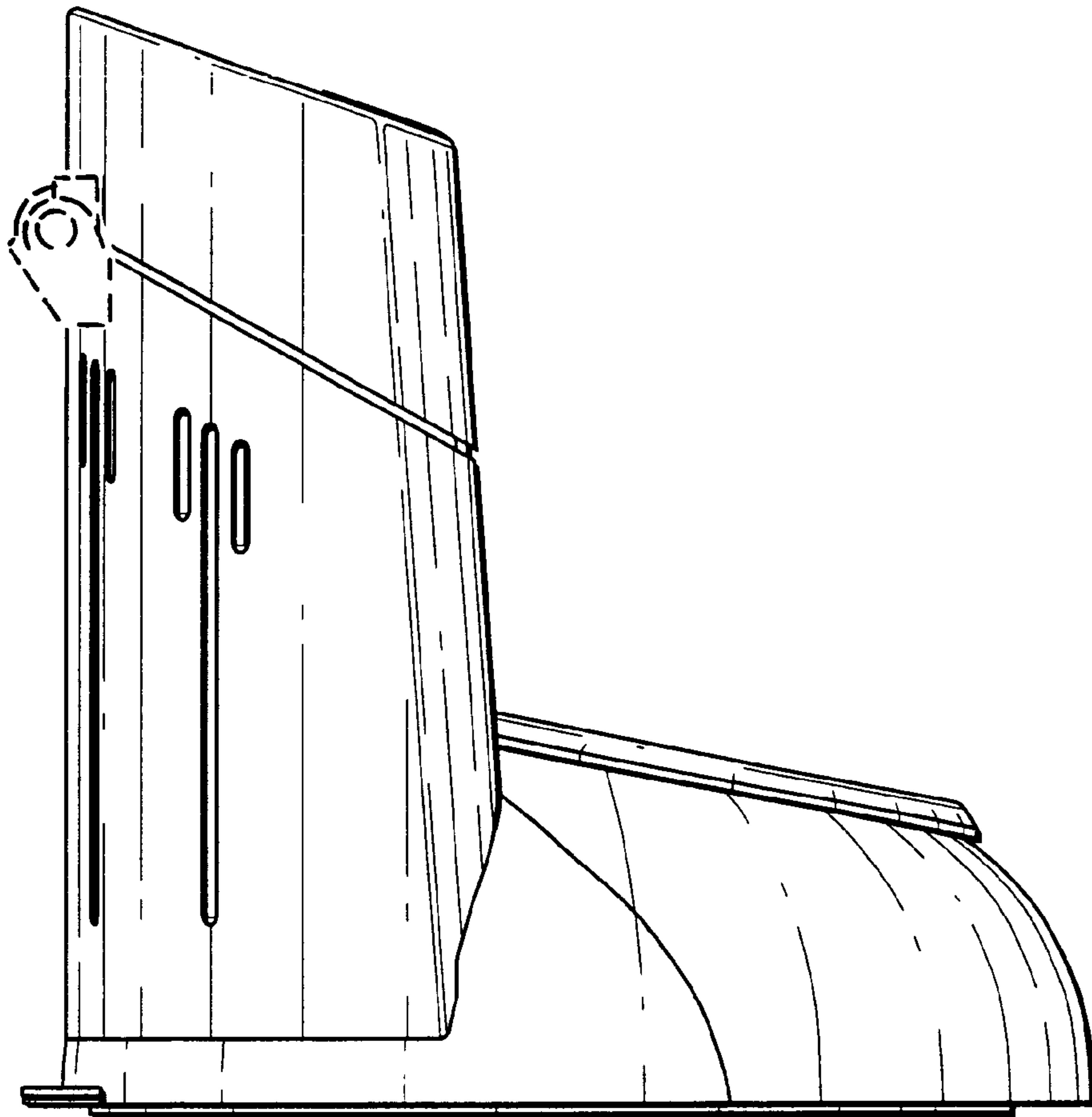


Fig. 6