



US00D525185S

(12) **United States Design Patent**
Scheu

(10) **Patent No.:** **US D525,185 S**

(45) **Date of Patent:** **** Jul. 18, 2006**

(54) **FRONT FACE OF A VEHICLE WHEEL**

(75) Inventor: **Armin Scheu**, Stuttgart (DE)

(73) Assignee: **DaimlerChrysler AG**, Stuttgart (DE)

(**) Term: **14 Years**

(21) Appl. No.: **29/252,084**

(22) Filed: **Jan. 19, 2006**

(30) **Foreign Application Priority Data**

Aug. 10, 2005 (DE) 40504177

(51) **LOC (8) Cl.** **12-16**

(52) **U.S. Cl.** **D12/211**

(58) **Field of Classification Search** D12/204-213;
301/37.101, 64.101, 65

See application file for complete search history.

(56) **References Cited**

U.S. PATENT DOCUMENTS

- D451,066 S * 11/2001 Pfeiffer et al. D12/211
- D475,961 S * 6/2003 Pfeiffer et al. D12/211
- D480,347 S * 10/2003 Nemoto D12/211

- D482,647 S * 11/2003 Lecher et al. D12/211
- D484,446 S * 12/2003 Pfeiffer et al. D12/211
- D505,373 S * 5/2005 Pfeiffer D12/209
- D507,775 S * 7/2005 Pfeiffer D12/211
- D514,050 S * 1/2006 Scheu D12/211
- D514,999 S * 2/2006 Boyer D12/209

* cited by examiner

Primary Examiner—Stacia Cadmus

(74) *Attorney, Agent, or Firm*—Crowell & Moring LLP

(57) **CLAIM**

The ornamental design for a front face of a vehicle wheel, as shown and described.

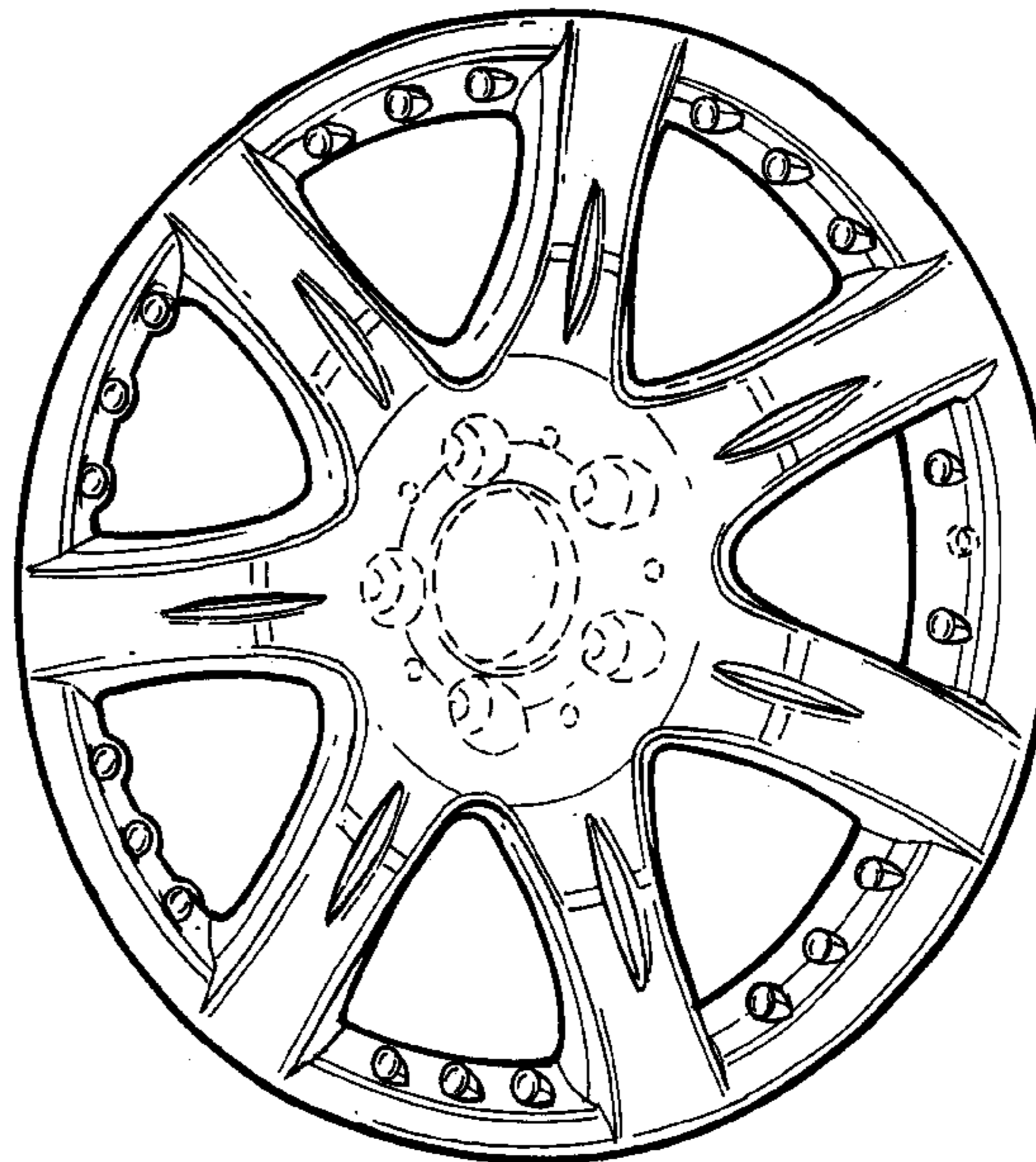
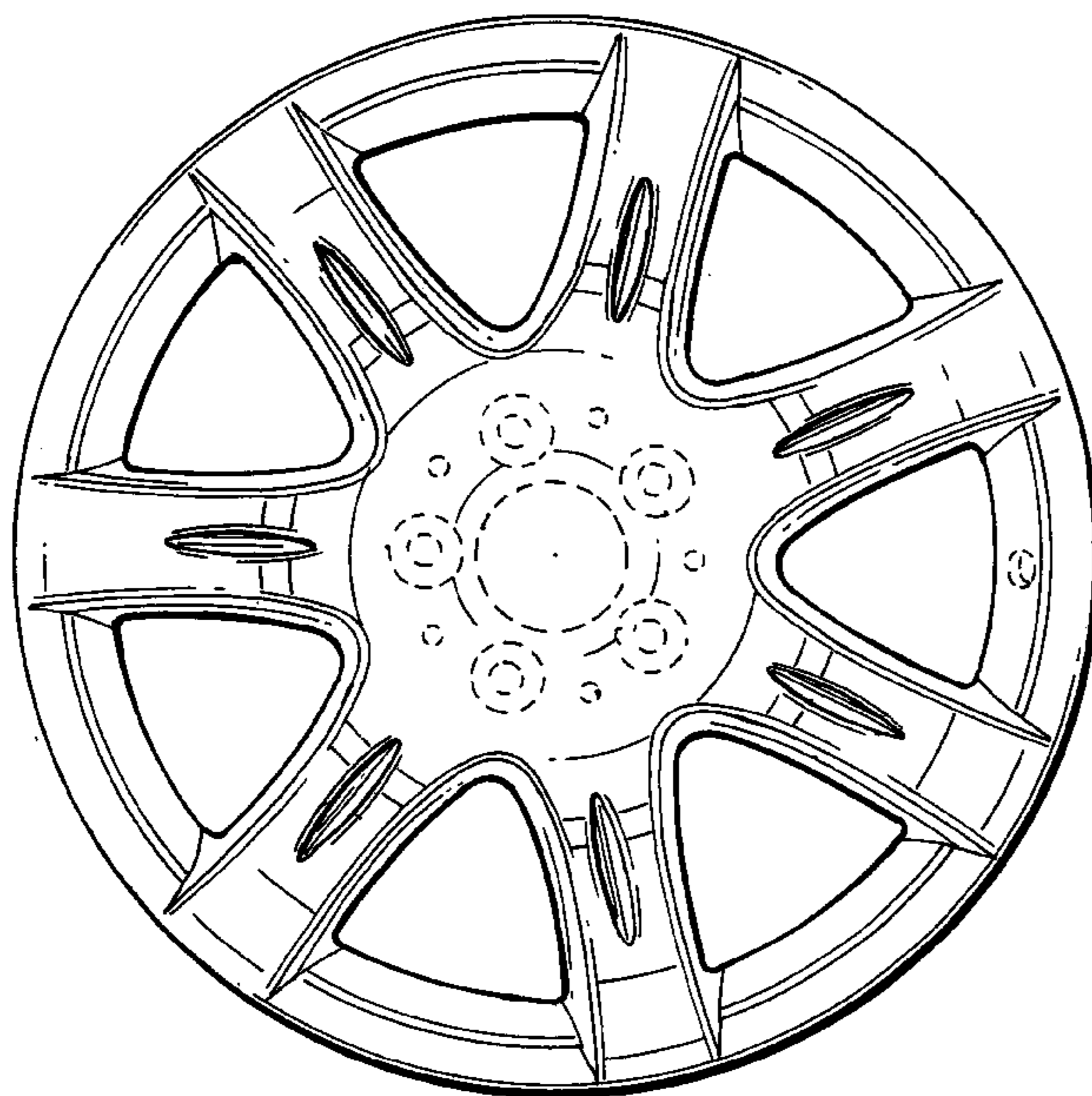
DESCRIPTION

FIG. 1 is a front view of a first embodiment of a front face of a vehicle wheel according to my novel design; and FIG. 2 is a perspective view thereof.

FIG. 3 is a front view of a second embodiment of the front face of a vehicle wheel according to my novel design; and, FIG. 4 is a perspective view thereof.

The broken lines are for illustrative purposes only and form no part of the claimed design.

1 Claim, 2 Drawing Sheets



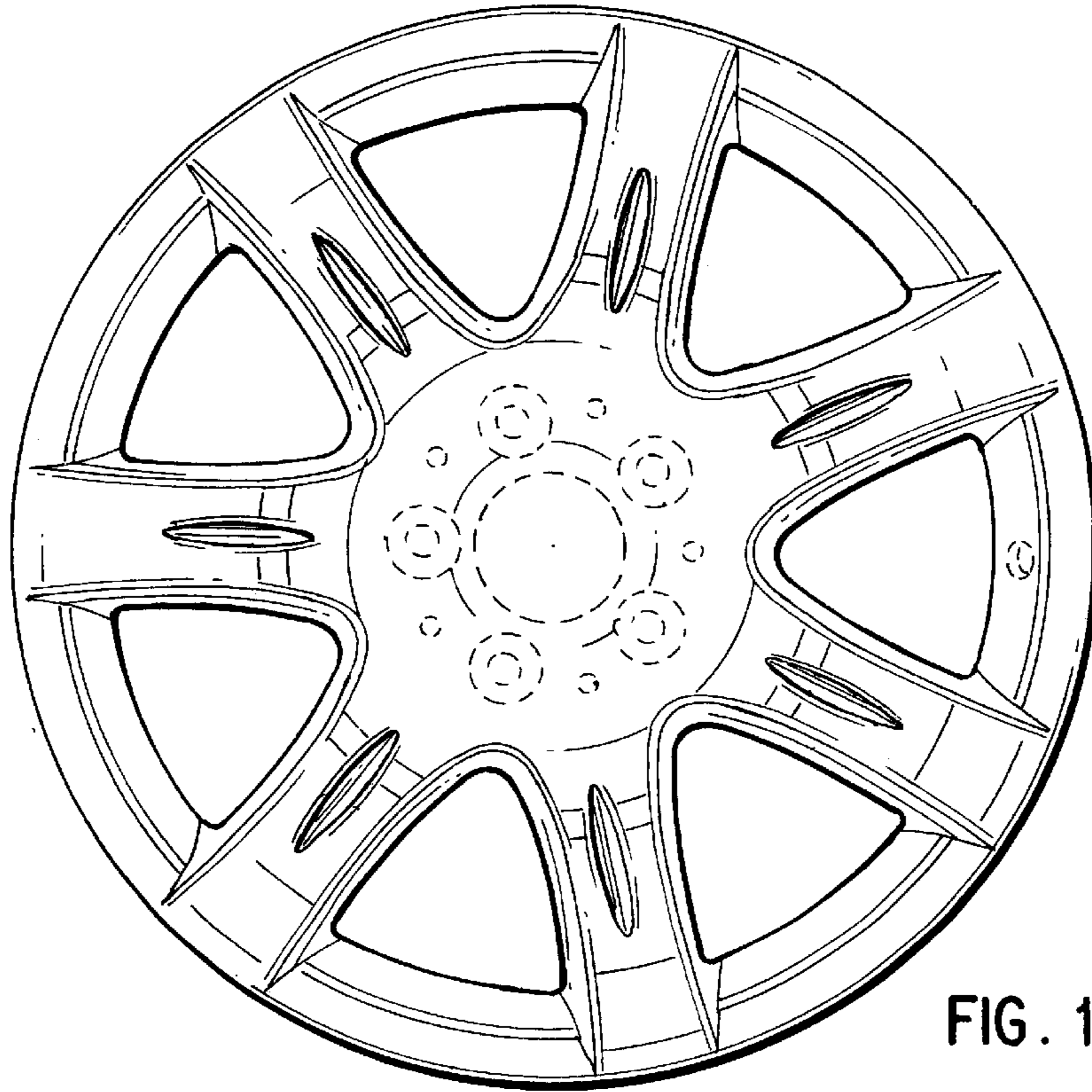


FIG. 1

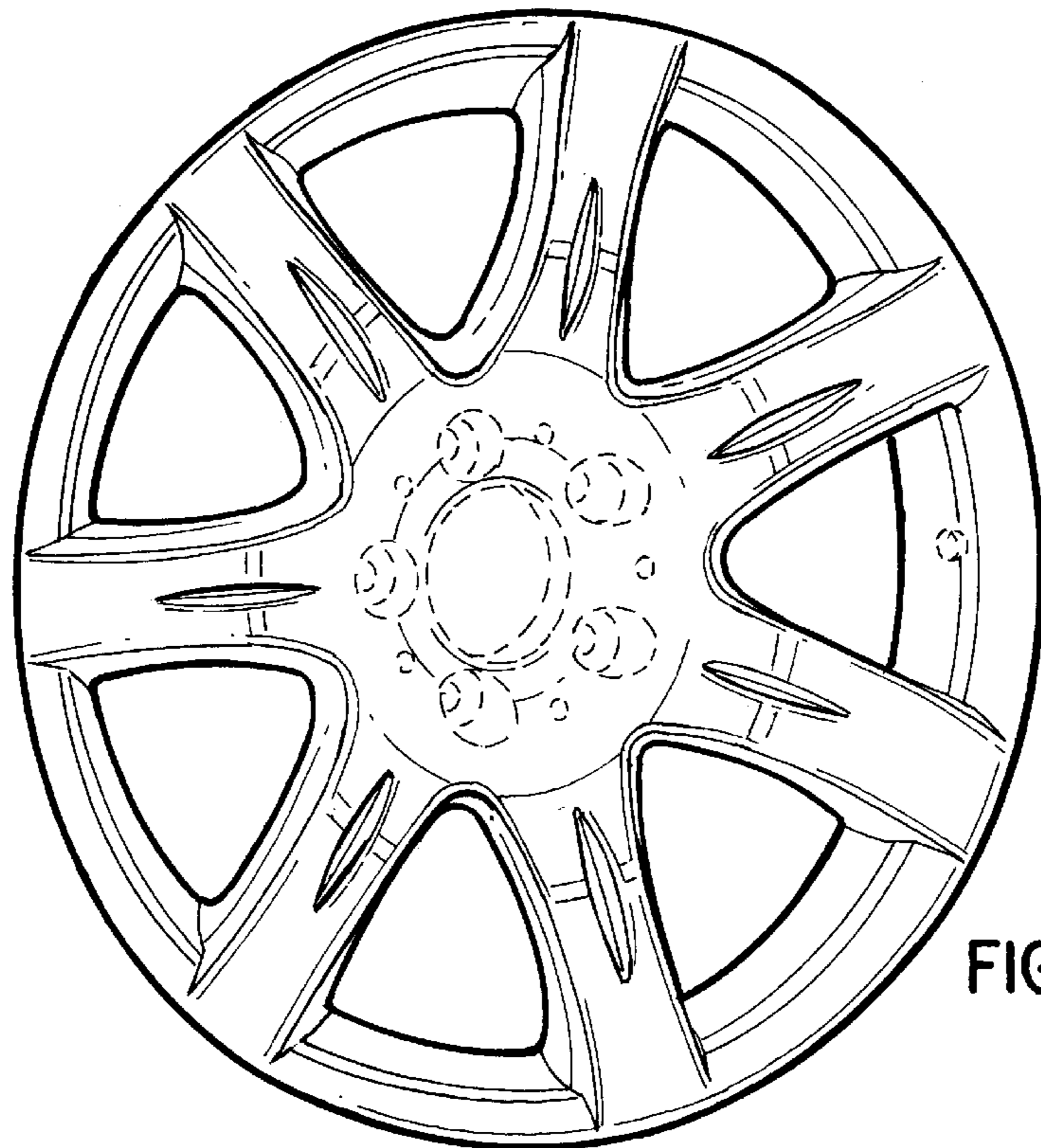


FIG. 2

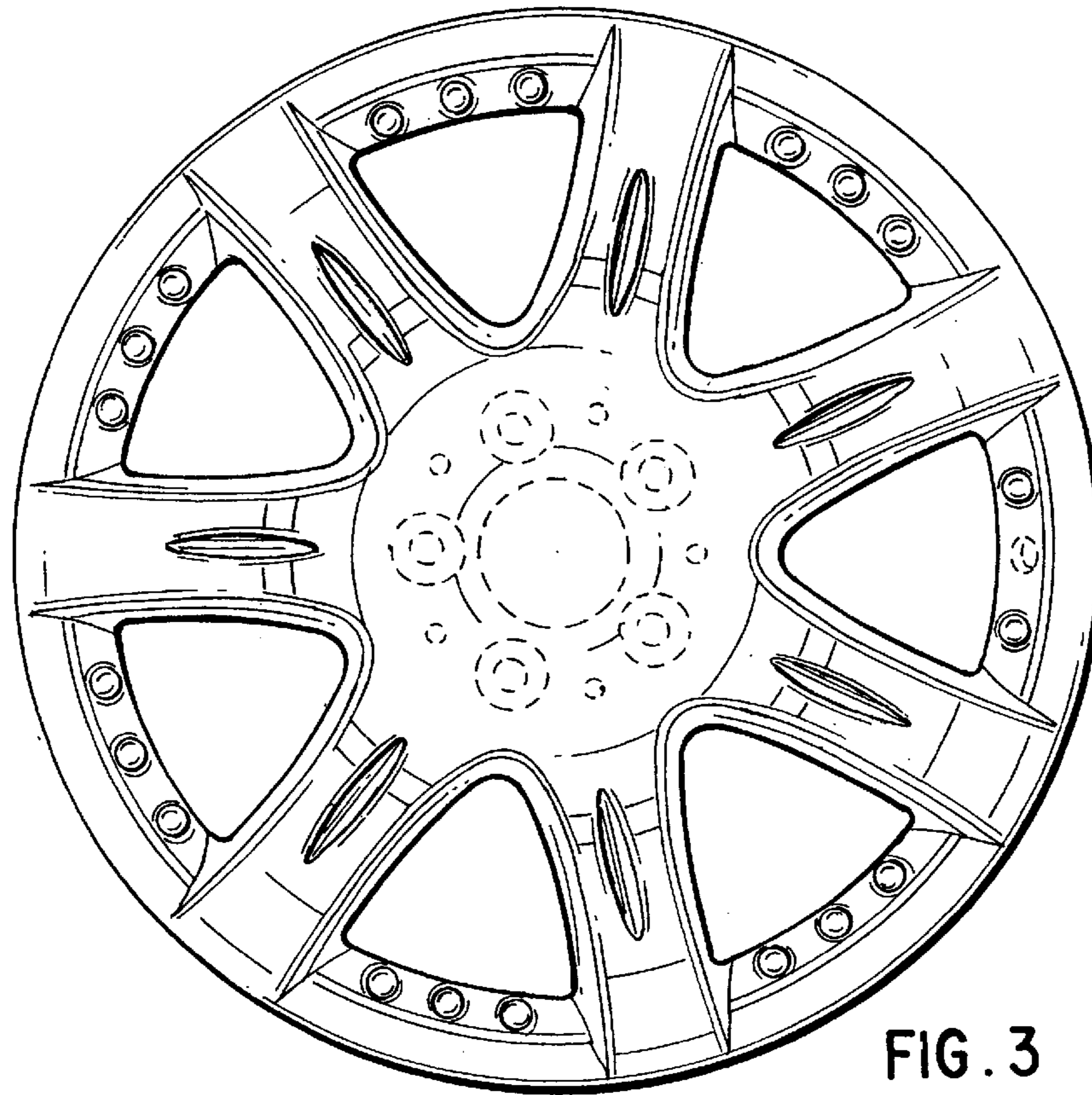


FIG. 3

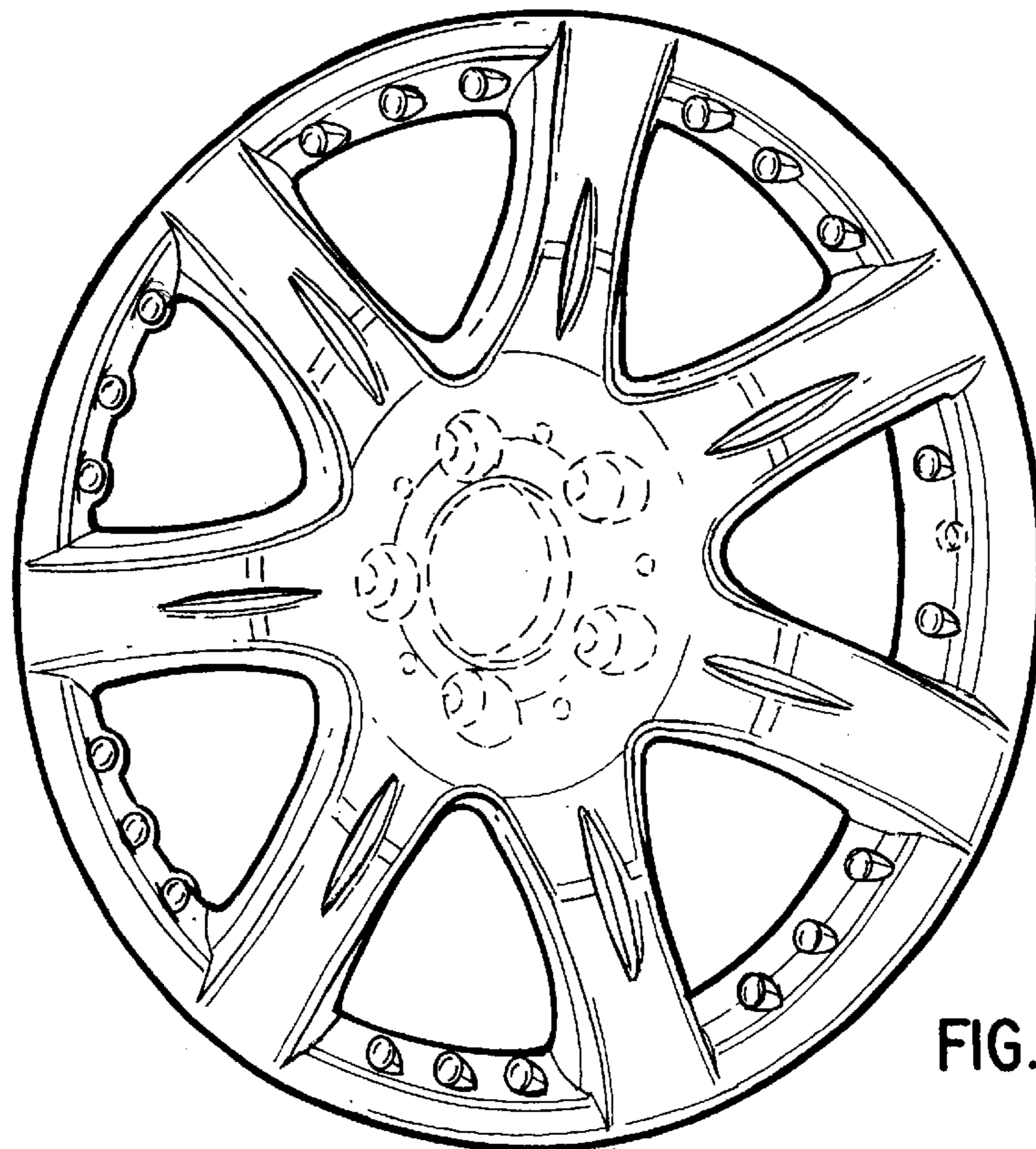


FIG. 4