

US00D525184S

(12) **United States Design Patent**
Huet

(10) **Patent No.:** **US D525,184 S**

(45) **Date of Patent:** **** Jul. 18, 2006**

(54) **FRONT FACE OF A VEHICLE WHEEL**

(75) **Inventor:** **Jean-Francois Alexandre Huet**, Villers
Allerand (FR)

(73) **Assignee:** **Bayerische Motoren Werke**
Aktiengesellschaft, Munich (DE)

(**) **Term:** **14 Years**

(21) **Appl. No.:** **29/242,305**

(22) **Filed:** **Nov. 9, 2005**

(30) **Foreign Application Priority Data**

May 11, 2005 (DE) 4 05 02 549

(51) **LOC (8) Cl.** **12-16**

(52) **U.S. Cl.** **D12/211**

(58) **Field of Classification Search** D12/204-213;
301/37.101, 64.101, 65
See application file for complete search history.

(56) **References Cited**

U.S. PATENT DOCUMENTS

D442,536 S * 5/2001 Chung D12/211

D477,556 S * 7/2003 Koch D12/211
D486,772 S 2/2004 Warming
D501,175 S * 1/2005 Kushartanto D12/211
D504,647 S * 5/2005 Leclercq D12/209
D508,007 S * 8/2005 Koch D12/211
D513,728 S * 1/2006 Yazawa et al. D12/211
D514,051 S * 1/2006 Sands D12/211

* cited by examiner

Primary Examiner—Stacia Cadmus

(74) *Attorney, Agent, or Firm*—Crowell & Moring LLP

(57) **CLAIM**

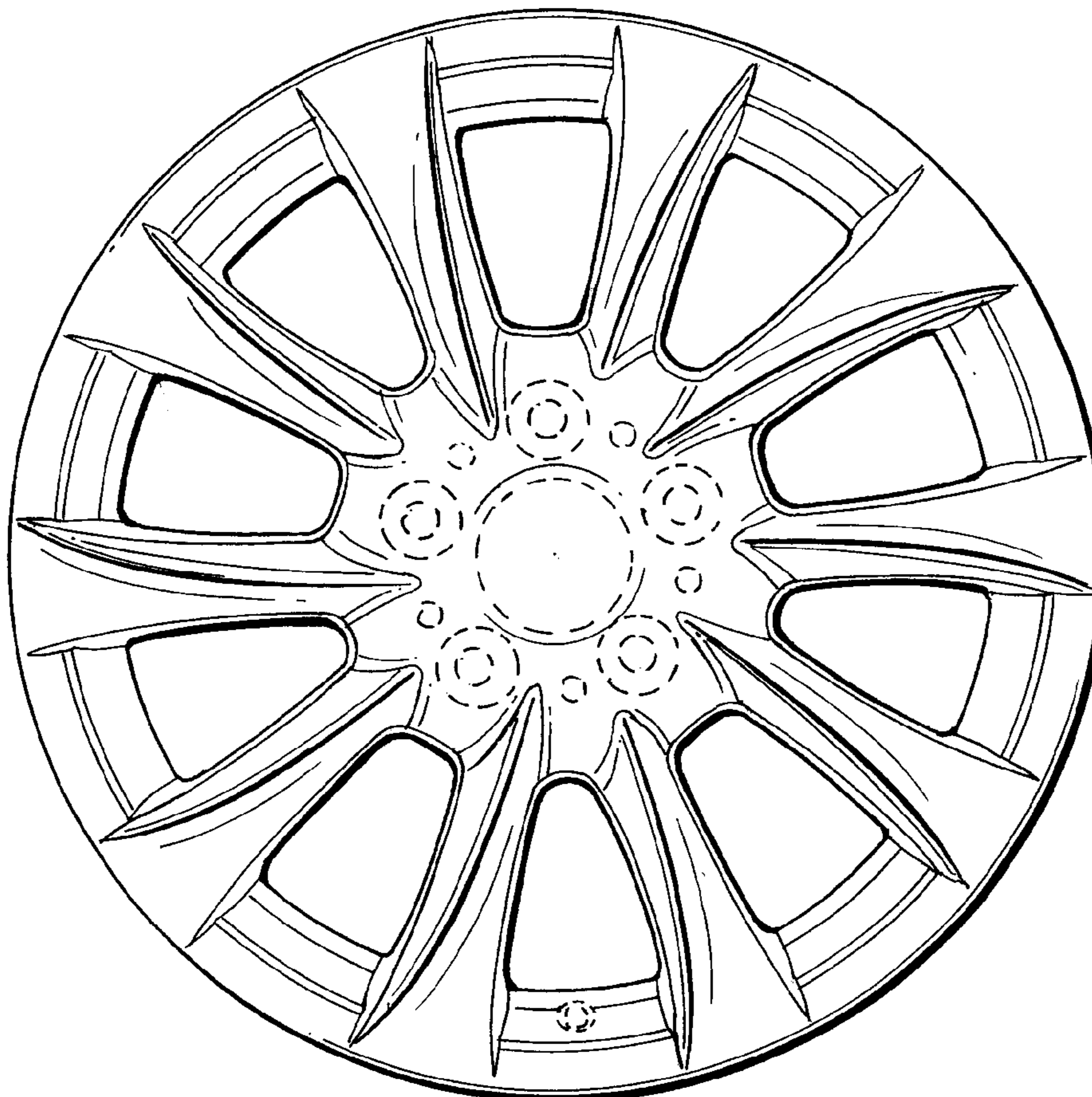
The ornamental design for a front face of a vehicle wheel,
as shown and described.

DESCRIPTION

FIG. 1 is a front view of a front face of a vehicle wheel
according to my novel design; and,
FIG. 2 is a perspective view thereof.

The broken lines are for illustrative purposes only and form
no part of the claimed design.

1 Claim, 1 Drawing Sheet



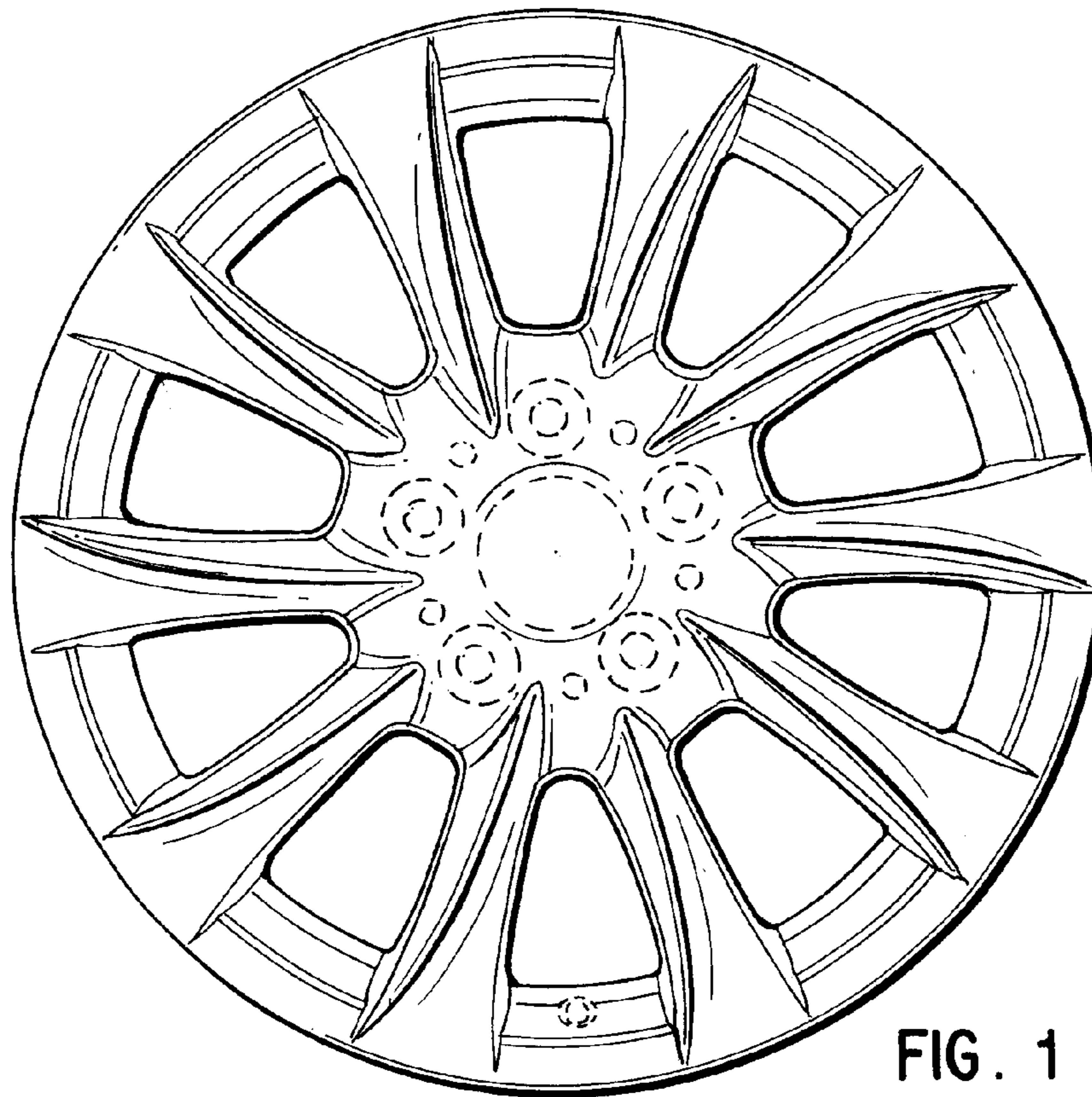


FIG. 1

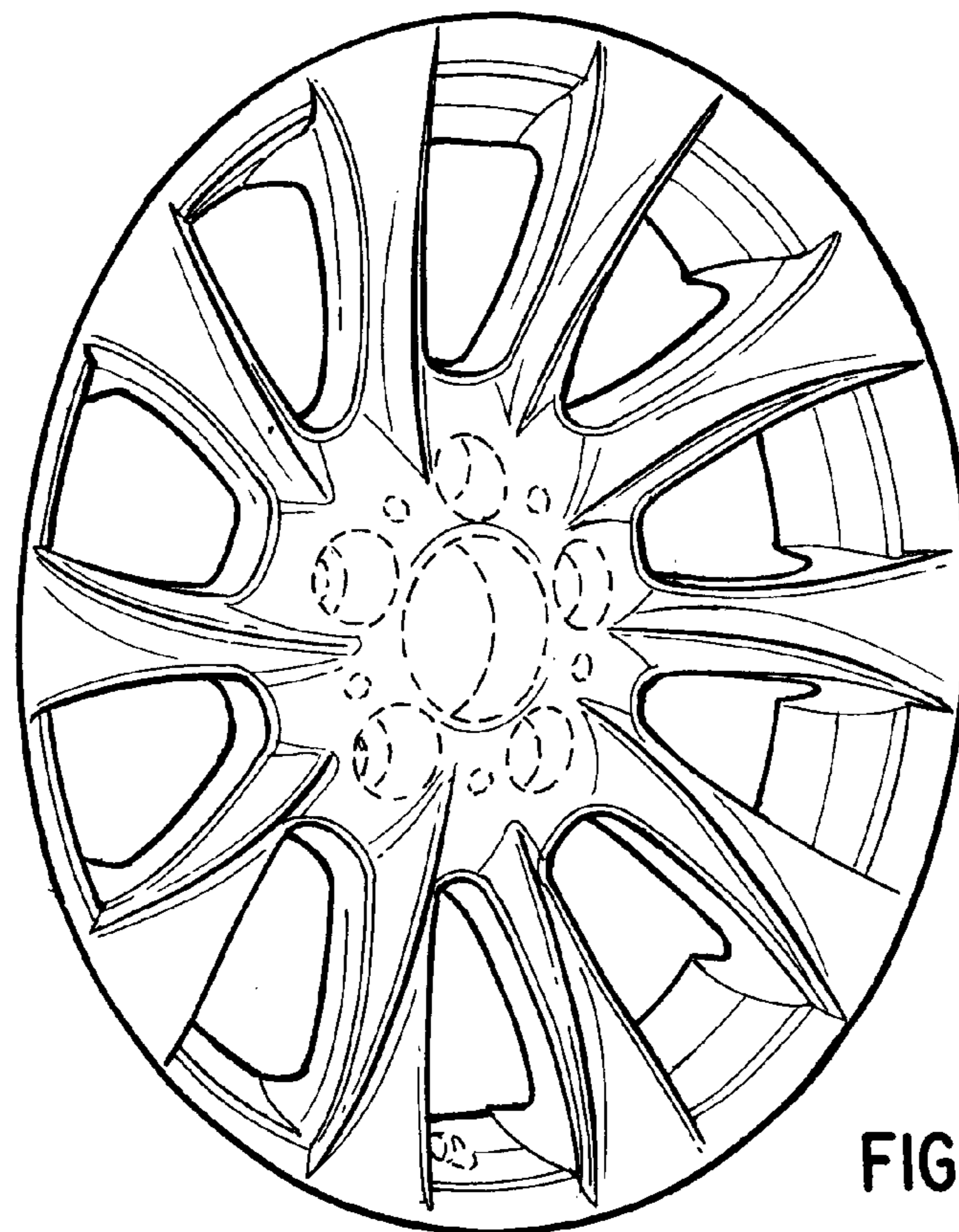


FIG. 2