



US00D525183S

(12) **United States Design Patent**
Pfeiffer

(10) **Patent No.:** **US D525,183 S**

(45) **Date of Patent:** **** Jul. 18, 2006**

(54) **FRONT FACE OF A VEHICLE WHEEL**

(75) Inventor: **Peter Pfeiffer**, Boeblingen (DE)

(73) Assignee: **DaimlerChrysler AG**, Stuttgart (DE)

(**) Term: **14 Years**

(21) Appl. No.: **29/215,018**

(22) Filed: **Oct. 14, 2004**

(30) **Foreign Application Priority Data**

Apr. 27, 2004 (DE) 40402627

(51) **LOC (8) Cl.** **12-16**

(52) **U.S. Cl.** **D12/209**

(58) **Field of Classification Search** D12/204-213;
301/37.101, 64.101, 65

See application file for complete search history.

(56) **References Cited**

U.S. PATENT DOCUMENTS

- D298,527 S * 11/1988 Lorinser D12/211
- D316,073 S * 4/1991 Koch D12/211
- D427,960 S * 7/2000 Sacco et al. D12/209
- D454,104 S * 3/2002 Hieke D12/209

- D454,530 S * 3/2002 Hieke D12/211
- D466,852 S * 12/2002 Pfeiffer et al. D12/211
- D488,760 S * 4/2004 Kato D12/209

* cited by examiner

Primary Examiner—Stacia Cadmus

(74) *Attorney, Agent, or Firm*—Crowell & Moring LLP

(57) **CLAIM**

The ornamental design for a front face of a vehicle wheel, as shown and described.

DESCRIPTION

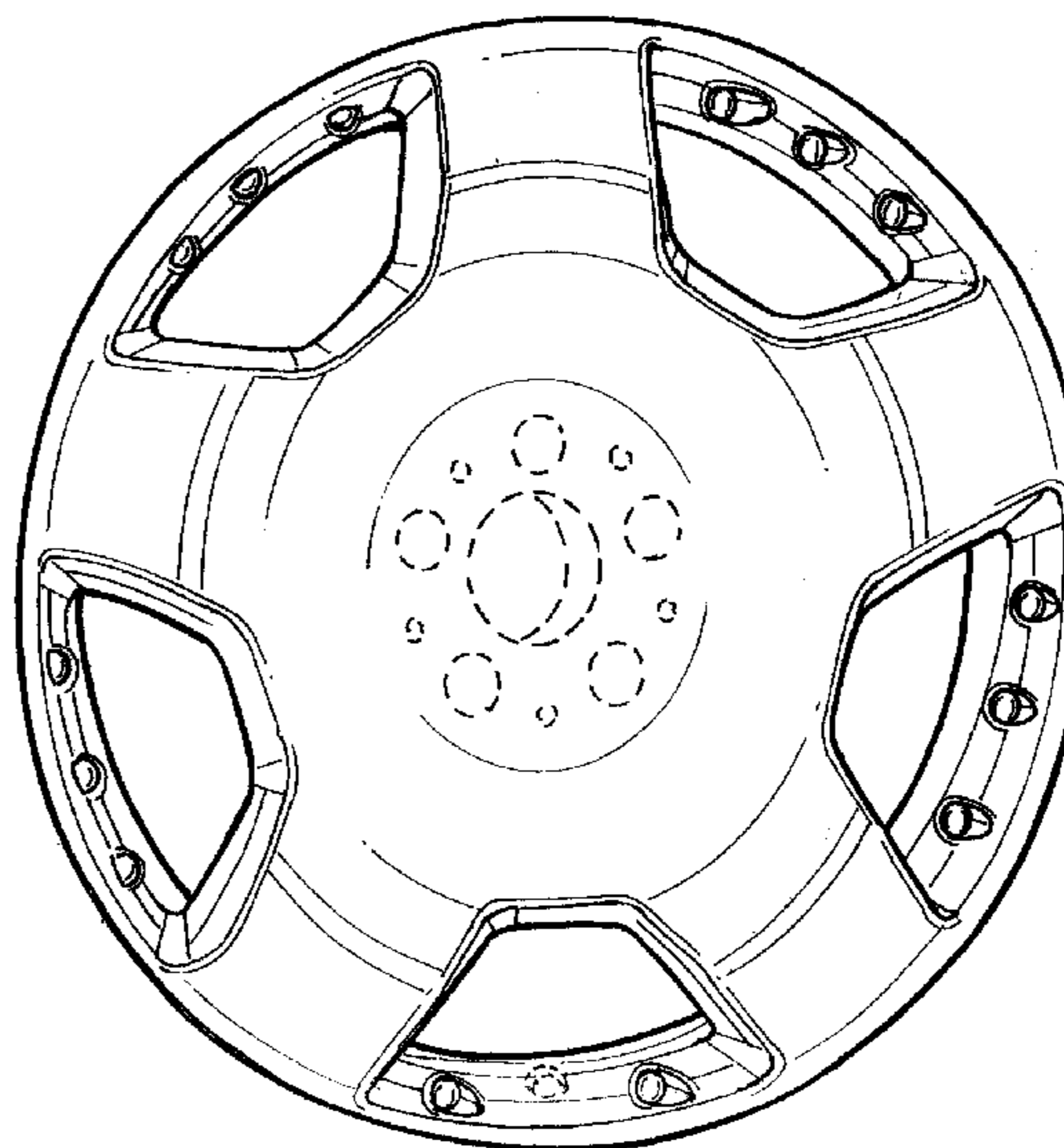
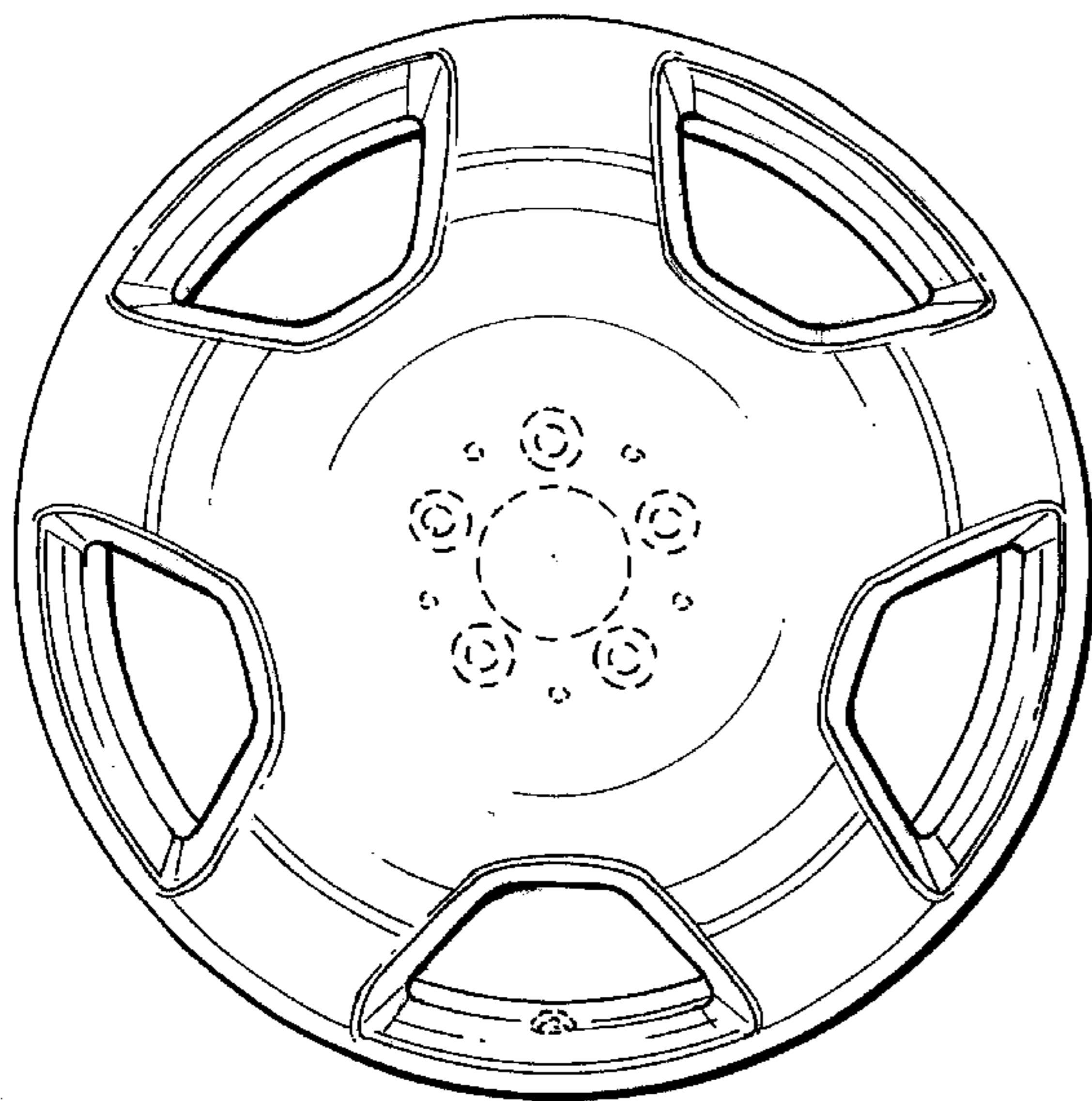
FIG. 1 is a front view of a first embodiment of a front face of a vehicle wheel according to my novel design;

FIG. 2 is a perspective view of the first embodiment of the front face of a vehicle wheel according to my novel design;

FIG. 3 is a front view of a second embodiment of the front face of a vehicle wheel according to my novel design; and, FIG. 4 is a perspective view of the second embodiment of the front face of a vehicle wheel according to my novel design.

The broken lines are for illustrative purposes only and form no part of the claimed design.

1 Claim, 2 Drawing Sheets



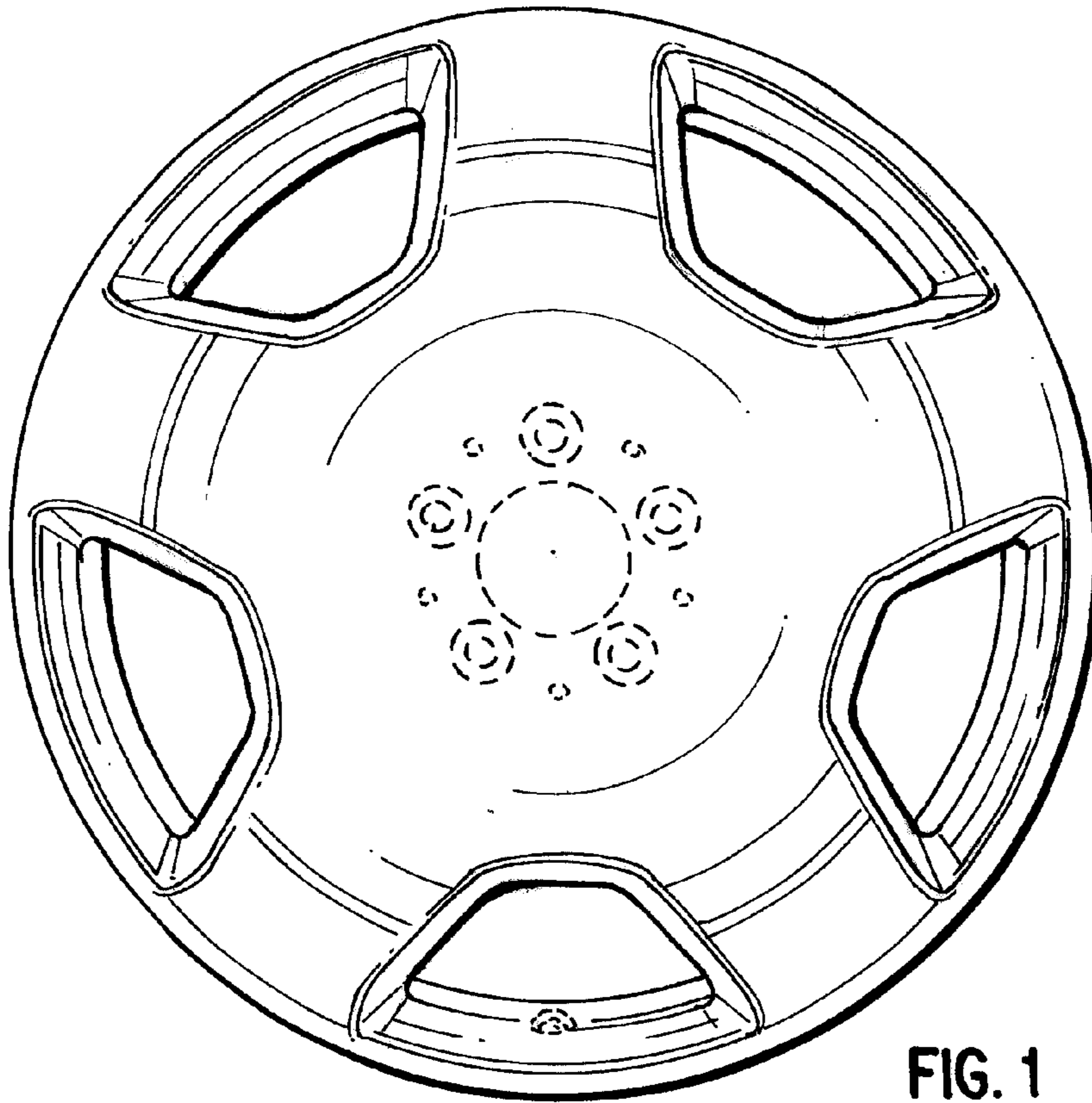


FIG. 1

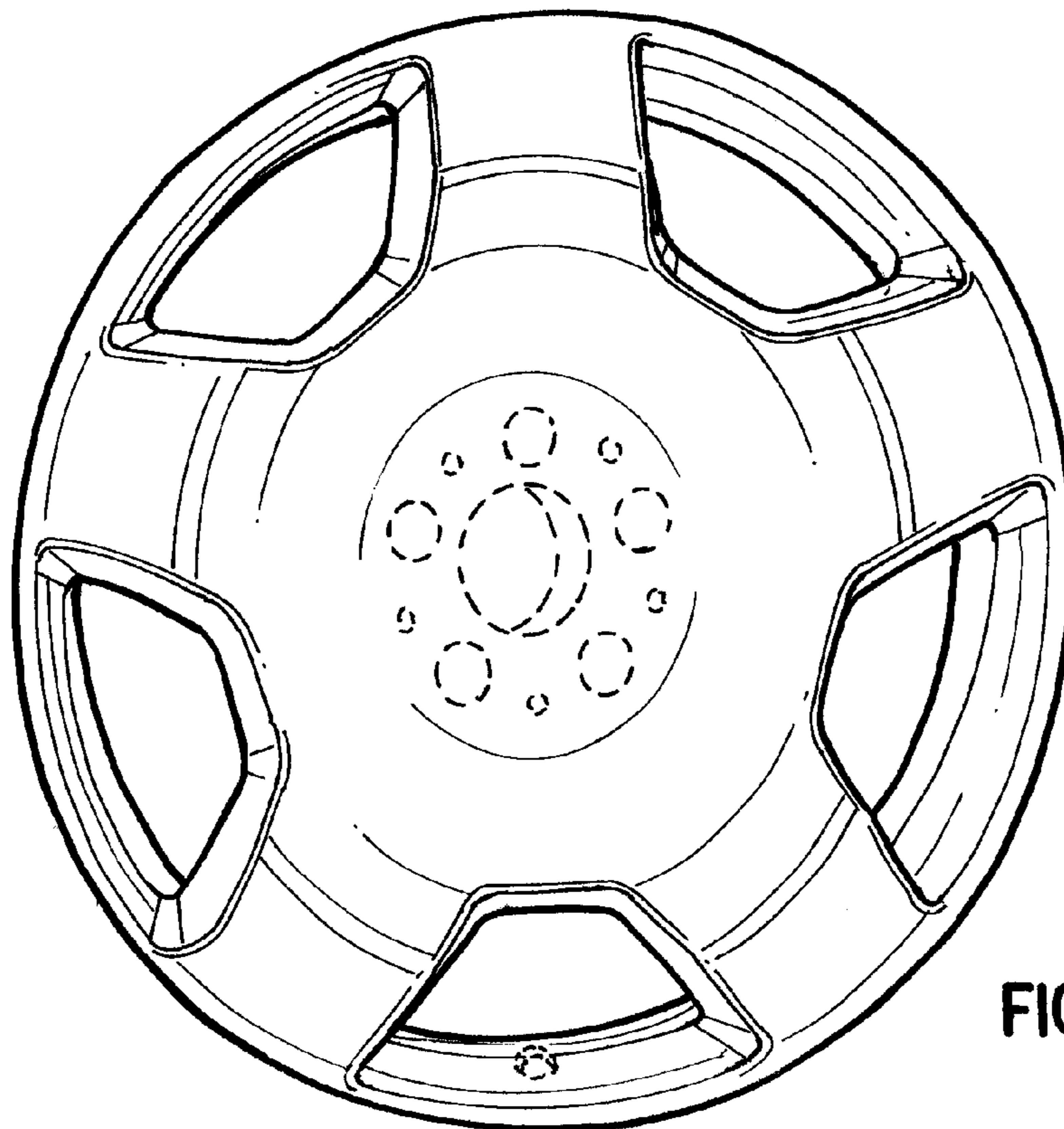


FIG. 2

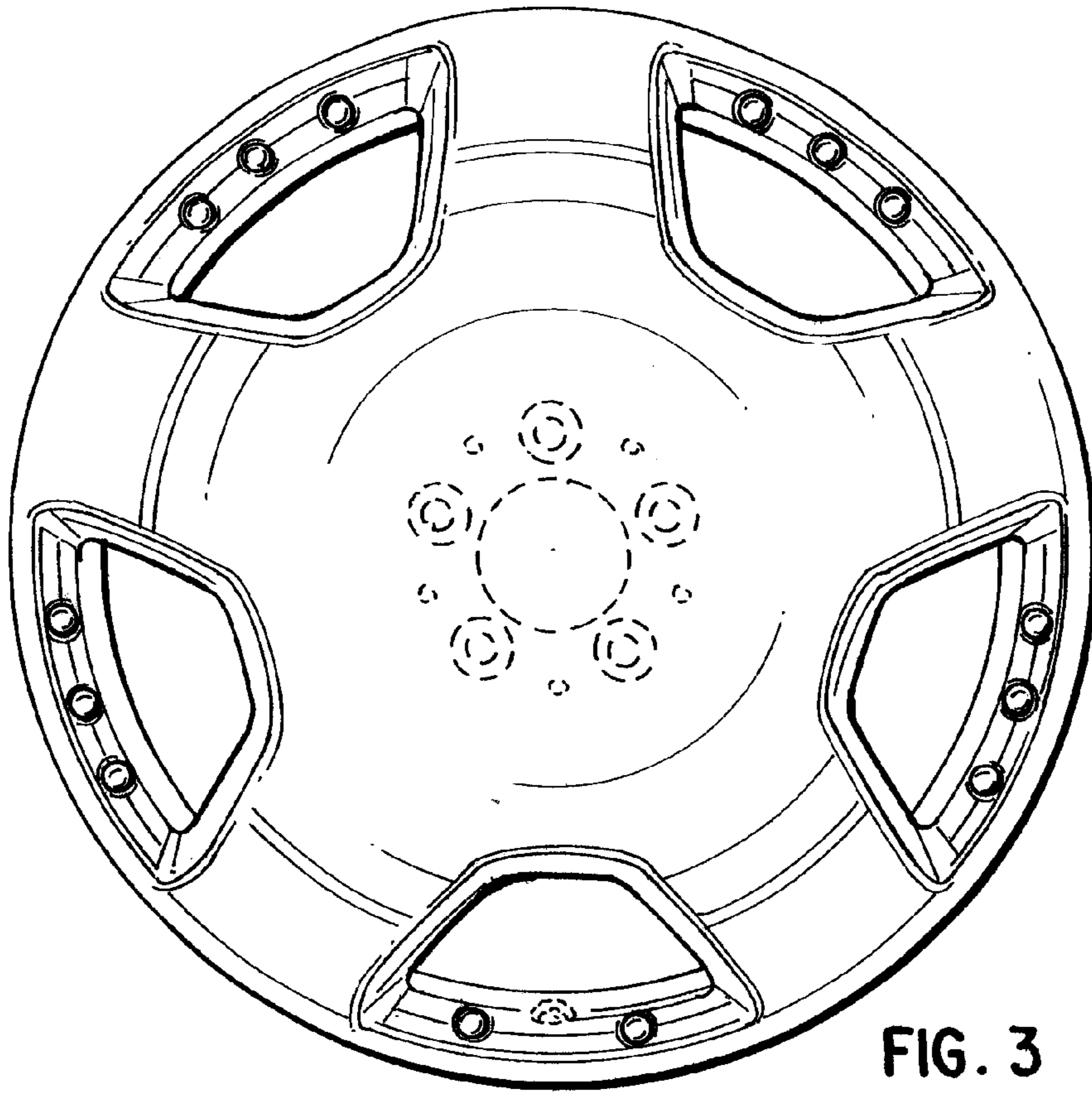


FIG. 3

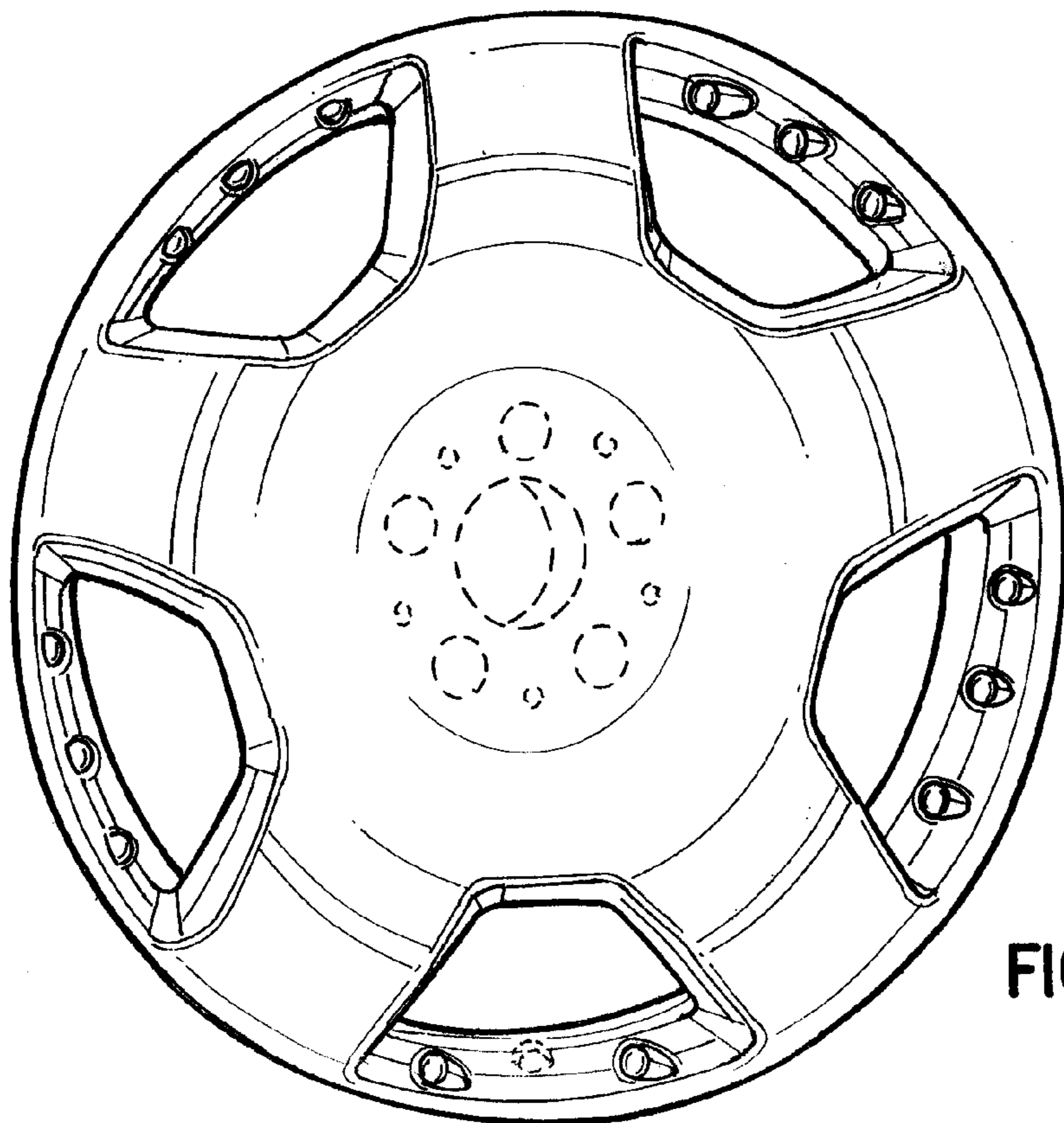


FIG. 4