



US00D525181S

(12) **United States Design Patent**
Horner

(10) **Patent No.:** **US D525,181 S**

(45) **Date of Patent:** **** Jul. 18, 2006**

(54) **SPACER**

D422,253 S	4/2000	Boykin	
6,189,437 B1	2/2001	Morlan	
D476,664 S *	7/2003	Gilliland et al. D15/5
D487,039 S	2/2004	Webster et al.	

(75) **Inventor:** **Charles Byron Horner**, South Bend, IN (US)

(73) **Assignee:** **Rober Bosch GmbH**, Stuttgart (DE)

(**) **Term:** **14 Years**

(21) **Appl. No.:** **29/219,935**

(22) **Filed:** **Dec. 22, 2004**

(51) **LOC (8) Cl.** **12-16**

(52) **U.S. Cl.** **D12/180**

(58) **Field of Classification Search** D12/180;
D15/5; 188/71.1, 73.31, 73.39; 92/169.2,
92/169.3, 165 PR

See application file for complete search history.

(56) **References Cited**

U.S. PATENT DOCUMENTS

D279,466 S	7/1985	Eberhart	
5,884,732 A *	3/1999	Anger et al. 188/73.39

* cited by examiner

Primary Examiner—Melody N. Brown

(74) *Attorney, Agent, or Firm*—Leo H McCormick, Jr.; Warren Comstock; Sarah Taylor

(57) **CLAIM**

The ornamental design of a spacer, as shown and described.

DESCRIPTION

FIG. 1 is a perspective view of a spacer showing my new design;

FIG. 2 is a top view of FIG. 1;

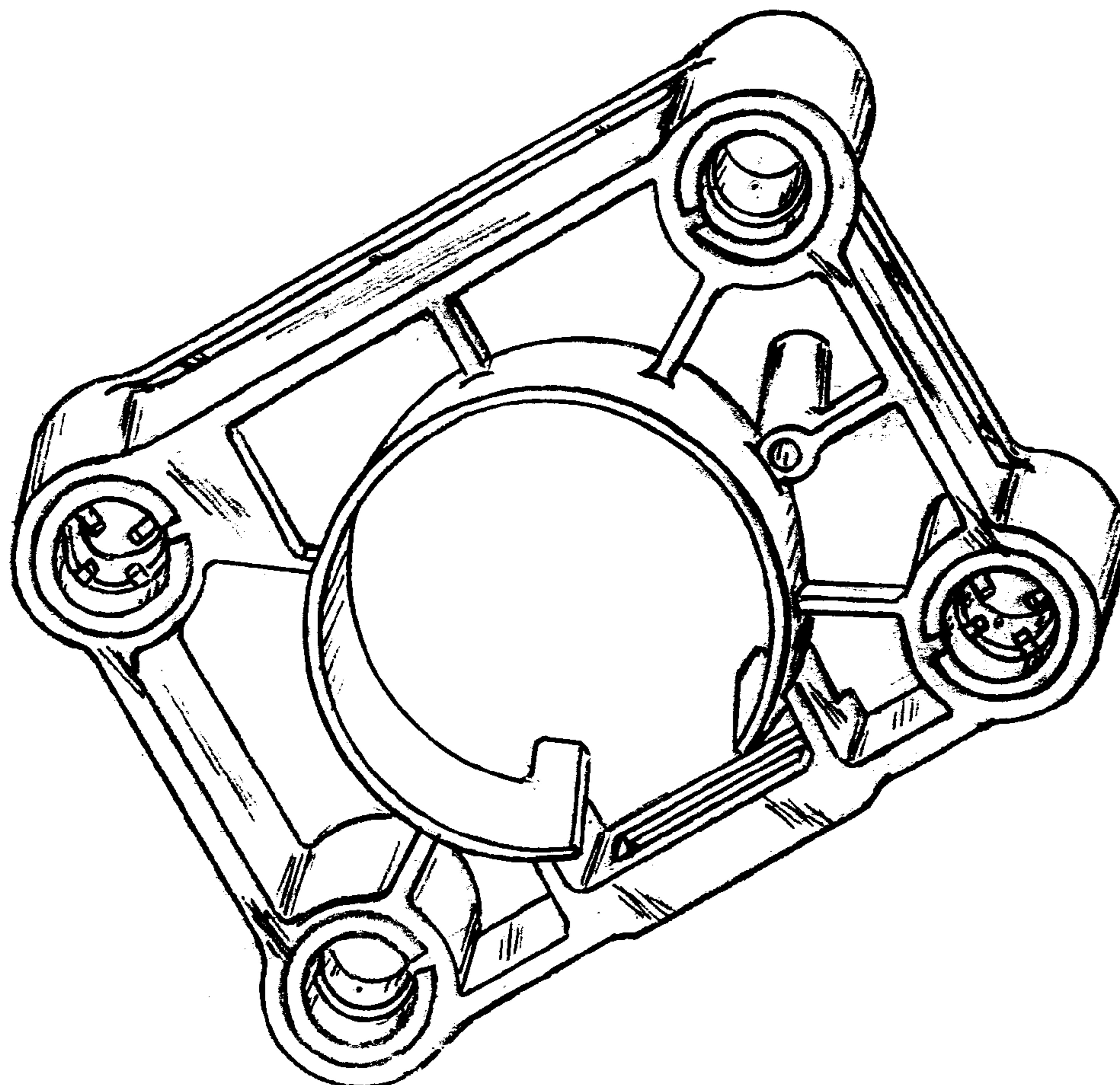
FIG. 3 is a side elevation view of FIG. 1;

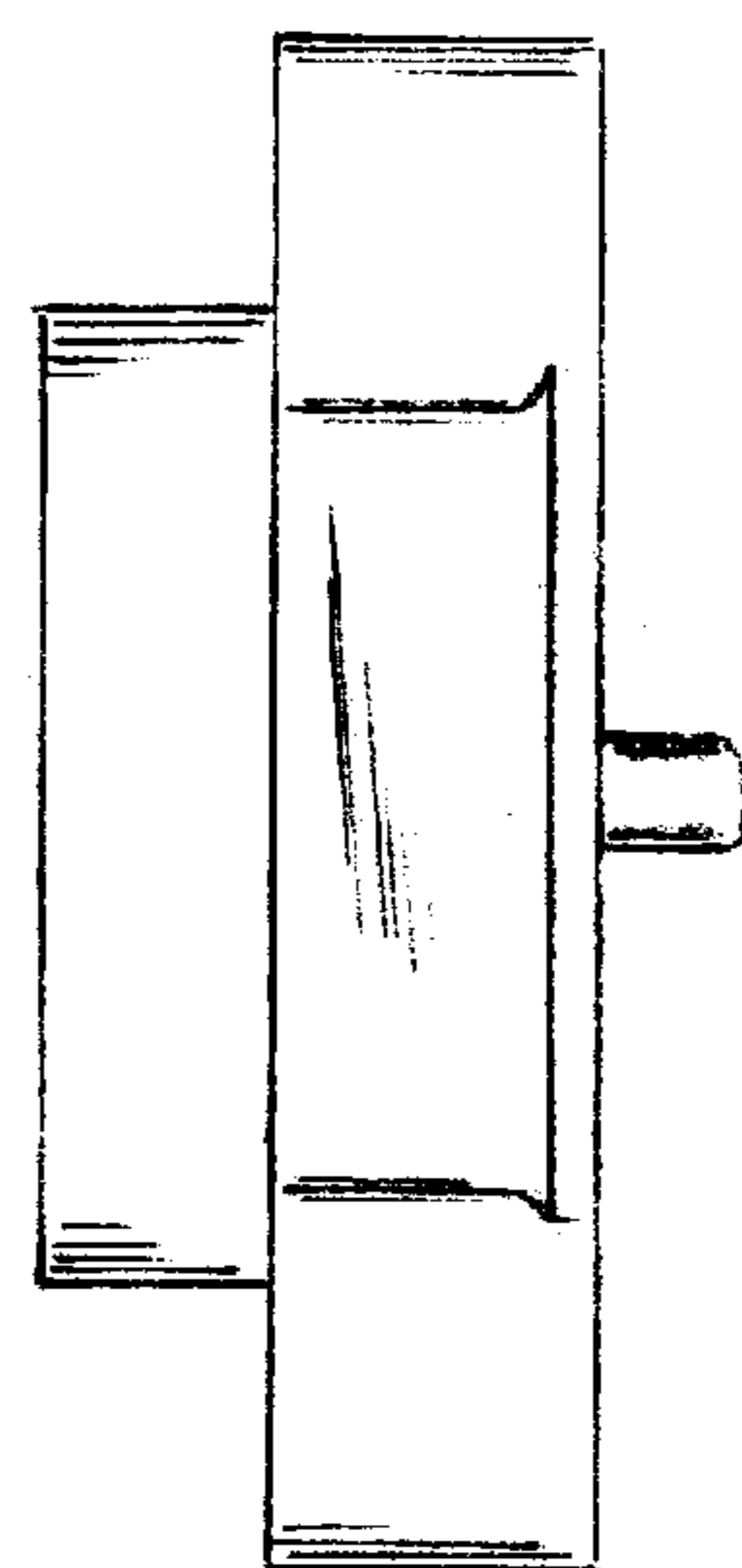
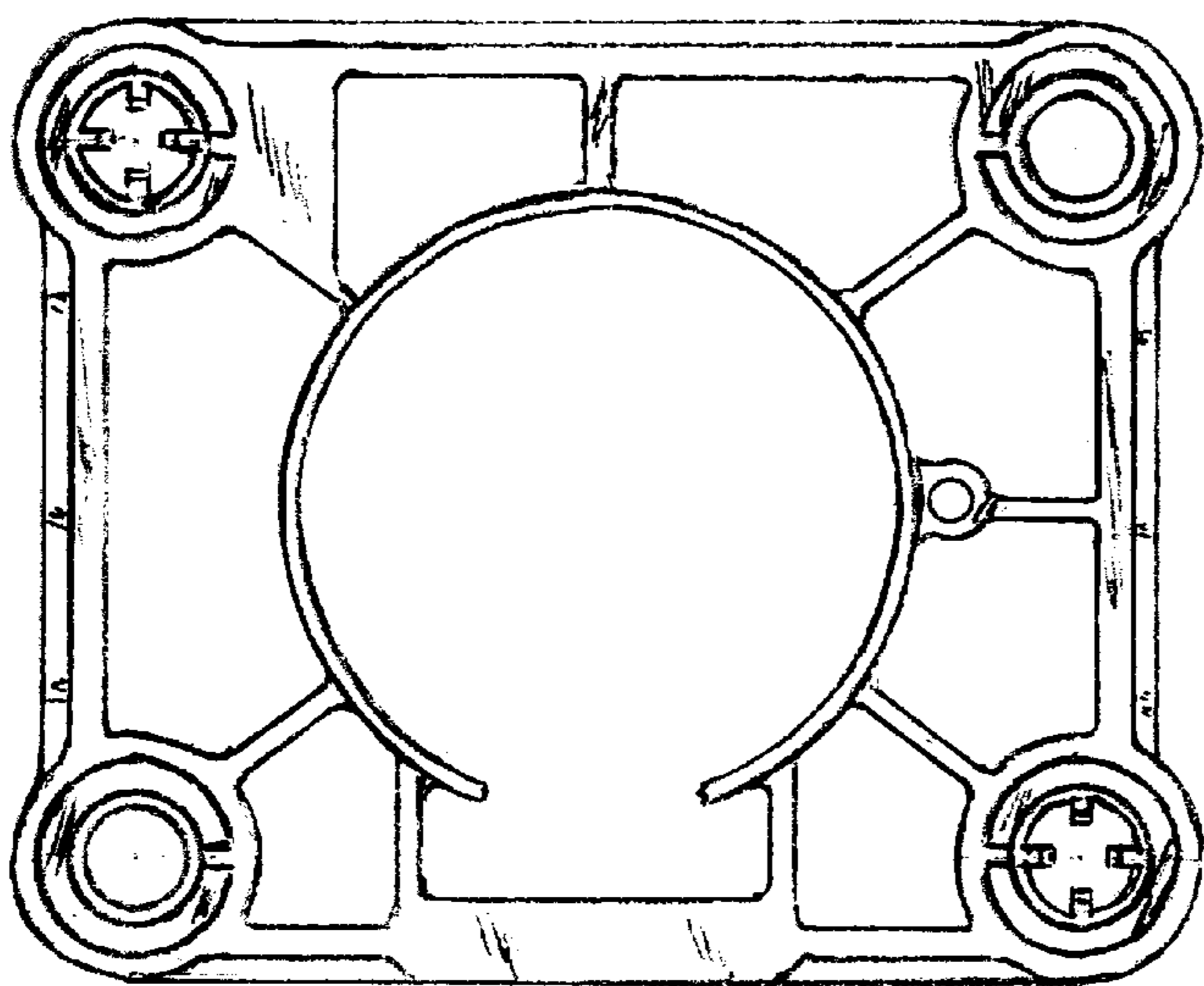
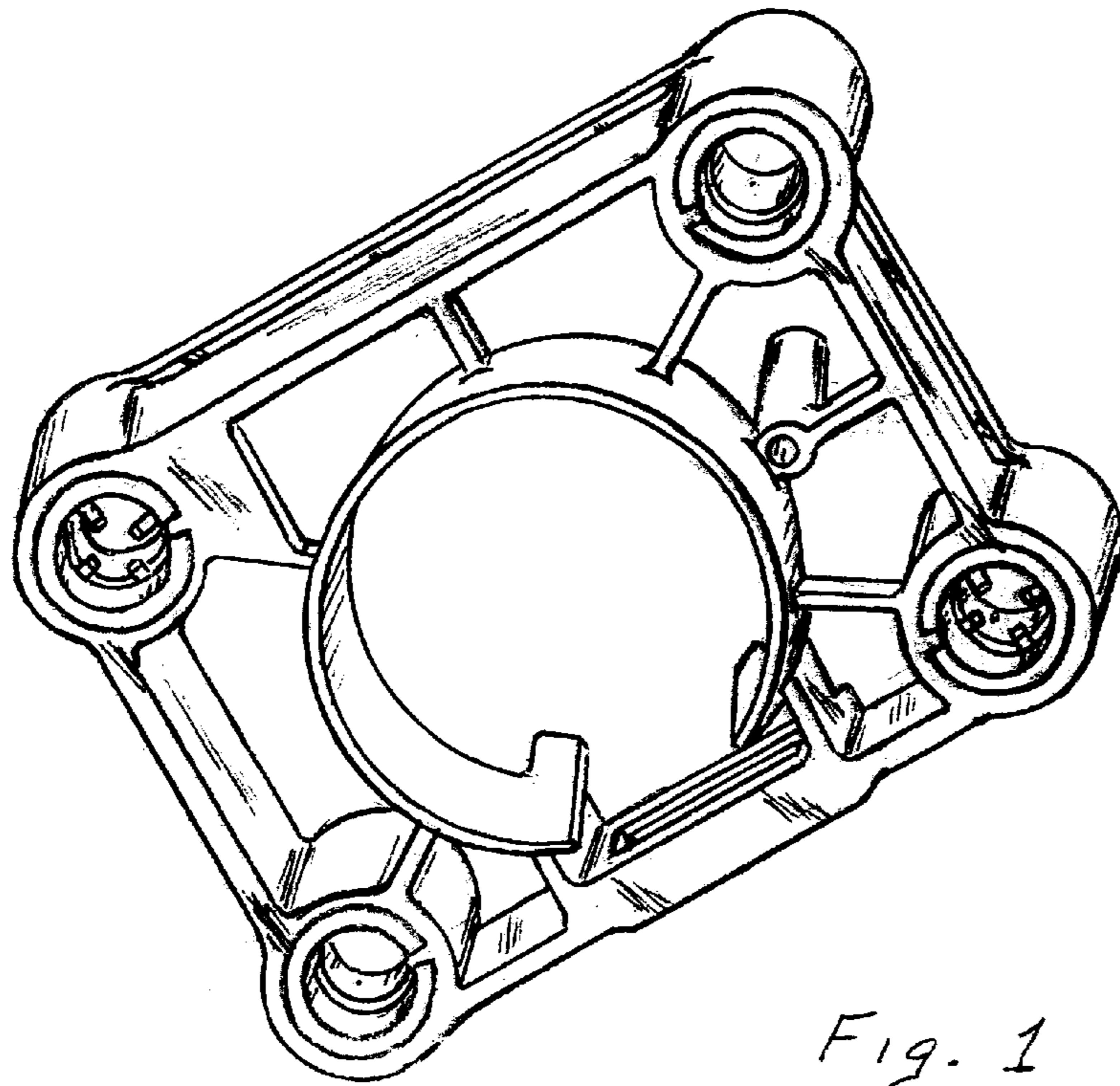
FIG. 4 is a front elevation view of FIG. 1;

FIG. 5 is a bottom view of FIG. 1; and,

FIG. 6 is a rear view of FIG. 1.

1 Claim, 2 Drawing Sheets





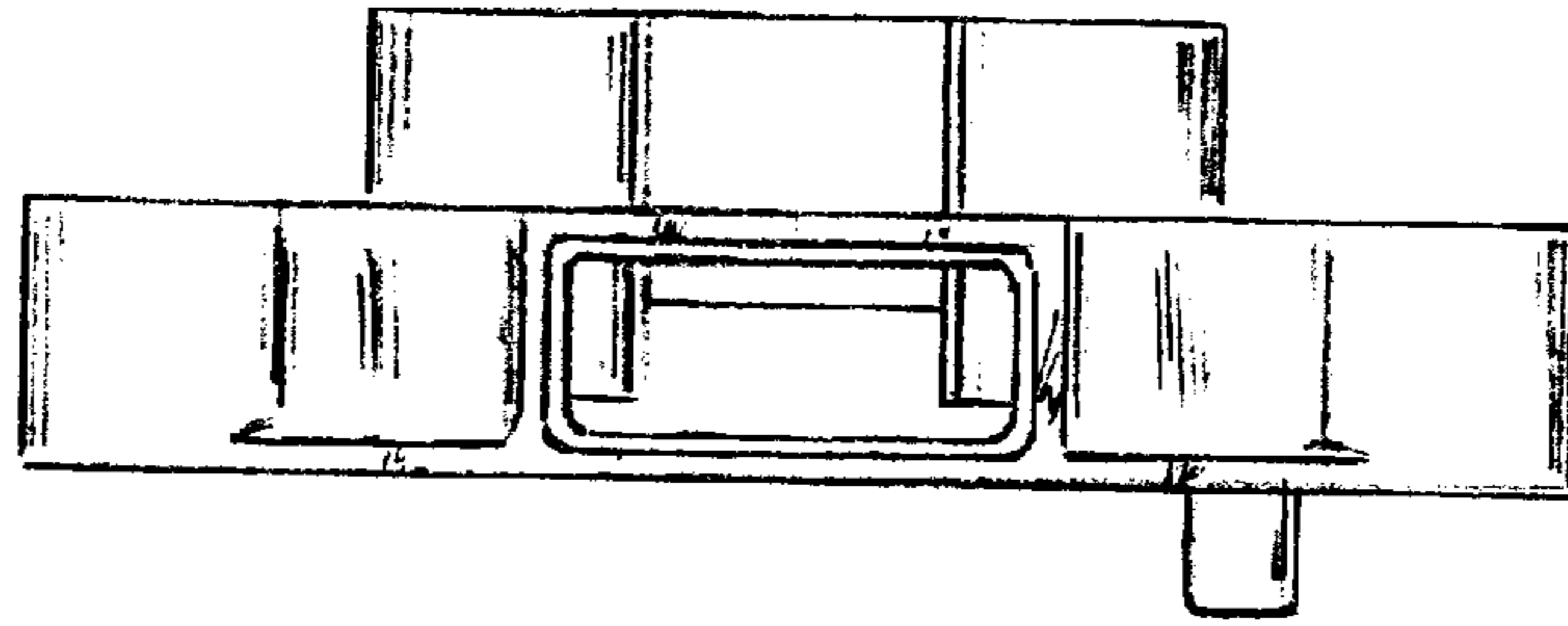


Fig. 4

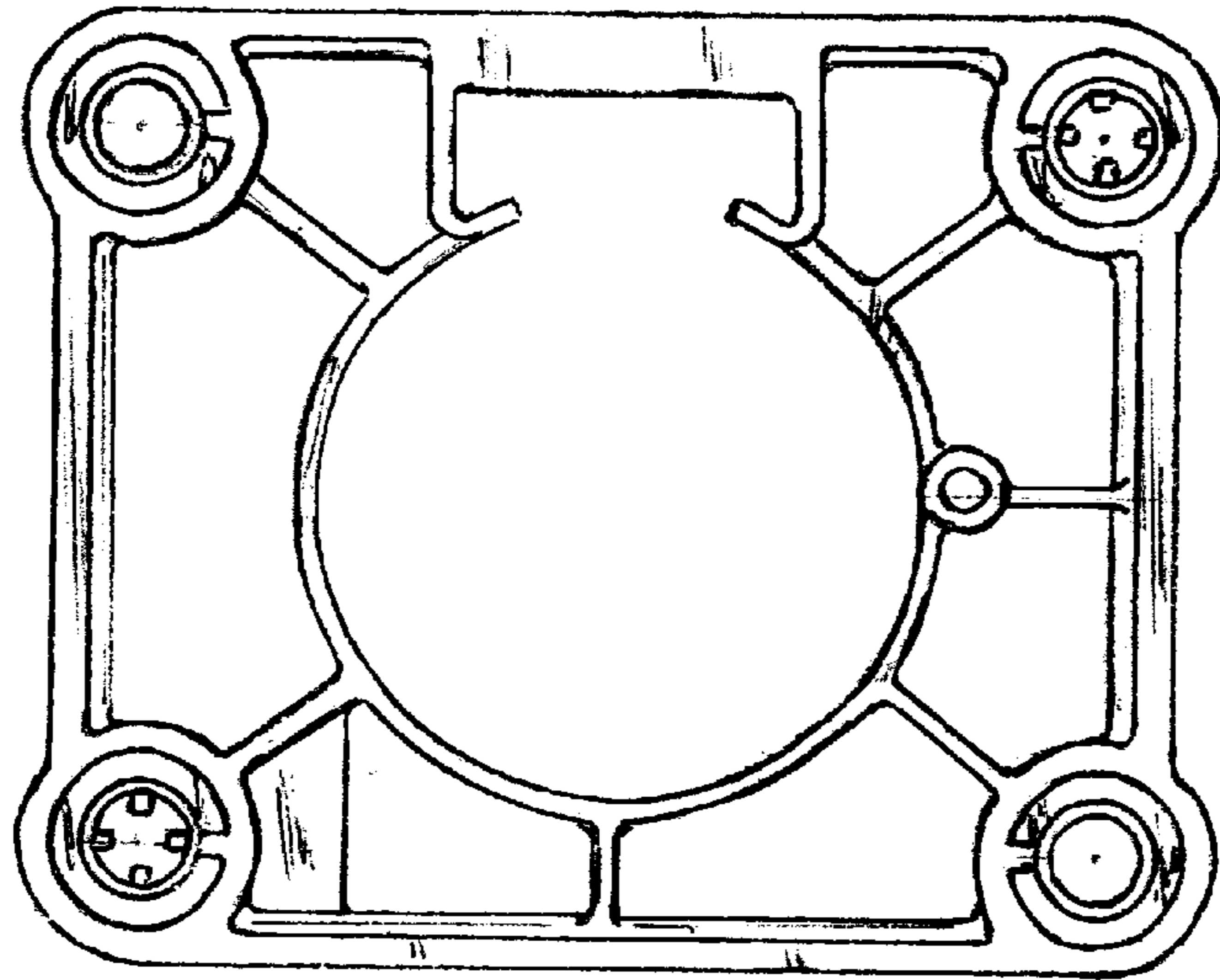


Fig. 5

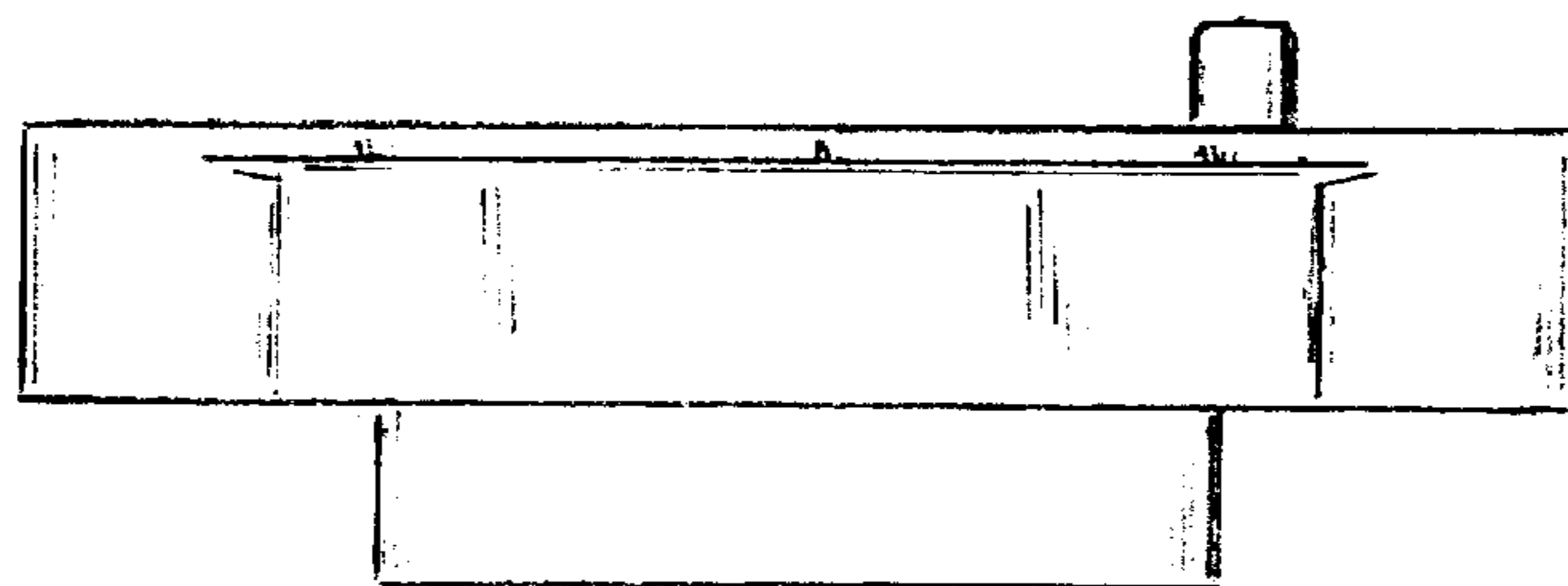


Fig. 6