



US00D525169S

(12) **United States Design Patent**
Schumacher

(10) **Patent No.:** **US D525,169 S**
(45) **Date of Patent:** **** Jul. 18, 2006**

(54) **SURFACE CONFIGURATION OF A VEHICLE, TOY AND/OR OTHER REPLICAS**

(75) Inventor: **Josef Schumacher**, Reutlingen (DE)

(73) Assignee: **DaimlerChrysler AG**, Stuttgart (DE)

(**) Term: **14 Years**

(21) Appl. No.: **29/206,796**

(22) Filed: **Jun. 4, 2004**

(30) **Foreign Application Priority Data**

Dec. 4, 2003 (DE) 4 03 07 644
Apr. 19, 2004 (DE) 4 04 02 448

(51) **LOC (8) Cl.** **12-08**

(52) **U.S. Cl.** **D12/86; D12/92**

(58) **Field of Classification Search** D12/90-92,
D12/86; D21/424, 433; 296/181.1, 181.5
See application file for complete search history.

(56) **References Cited**

U.S. PATENT DOCUMENTS

D432,951 S * 10/2000 Pfeiffer et al. D12/92
D434,346 S * 11/2000 Pfeiffer D12/92
D466,448 S * 12/2002 Pfeiffer et al. D12/92
D468,667 S * 1/2003 Pfeiffer et al. D12/92

* cited by examiner

Primary Examiner—Melody N. Brown

(74) *Attorney, Agent, or Firm*—Crowell & Moring LLP

(57) **CLAIM**

The ornamental design for a surface configuration of a vehicle, toy and/or other replicas, as shown and described.

DESCRIPTION

FIG. 1 is a left, front perspective view of a first embodiment of a surface configuration of a vehicle, toy and/or other replicas according to my novel design, the right, front perspective view being mirror symmetrical;

FIG. 2 is a left, rear perspective view of the first embodiment of the surface configuration of a vehicle, toy and/or other replicas according to my novel design, the right, rear perspective view being mirror symmetrical;

FIG. 3 is a right side view of the first embodiment of the surface configuration of a vehicle, toy and/or other replicas according to my novel design;

FIG. 4 is a left side view of the first embodiment of the surface configuration of a vehicle, toy and/or other replicas according to my novel design;

FIG. 5 is a front view of the surface configuration of a vehicle, toy and/or other replicas according to my novel design;

FIG. 6 is a rear view of the surface configuration of a vehicle, toy and/or other replicas according to my novel design;

FIG. 7 is a top view of the first embodiment of the surface configuration of a vehicle, toy and/or other replicas according to my novel design;

FIG. 8 is a left, front perspective view of a second embodiment of the surface configuration of a vehicle, toy and/or other replicas according to my novel design, the right, front perspective view being mirror symmetrical;

FIG. 9 is a left, rear perspective view of the second embodiment of the surface configuration of a vehicle, toy and/or other replicas according to my novel design, the right, rear perspective view being mirror symmetrical;

FIG. 10 is a right side view of the second embodiment of the surface configuration of a vehicle, toy and/or other replicas according to my novel design;

FIG. 11 is a left side view of the second embodiment of the surface configuration of a vehicle, toy and/or other replicas according to my novel design;

FIG. 12 is a top view of the second embodiment of the surface configuration of a vehicle, toy and/or other replicas according to my novel design;

FIG. 13 is a left, front perspective view of a third embodiment of the surface configuration of a vehicle, toy and/or other replicas according to my novel design, the right, front perspective view being mirror symmetrical;

FIG. 14 is a left, rear perspective view of the third embodiment of the surface configuration of a vehicle, toy and/or other replicas according to my novel design, the right, rear perspective view being mirror symmetrical;

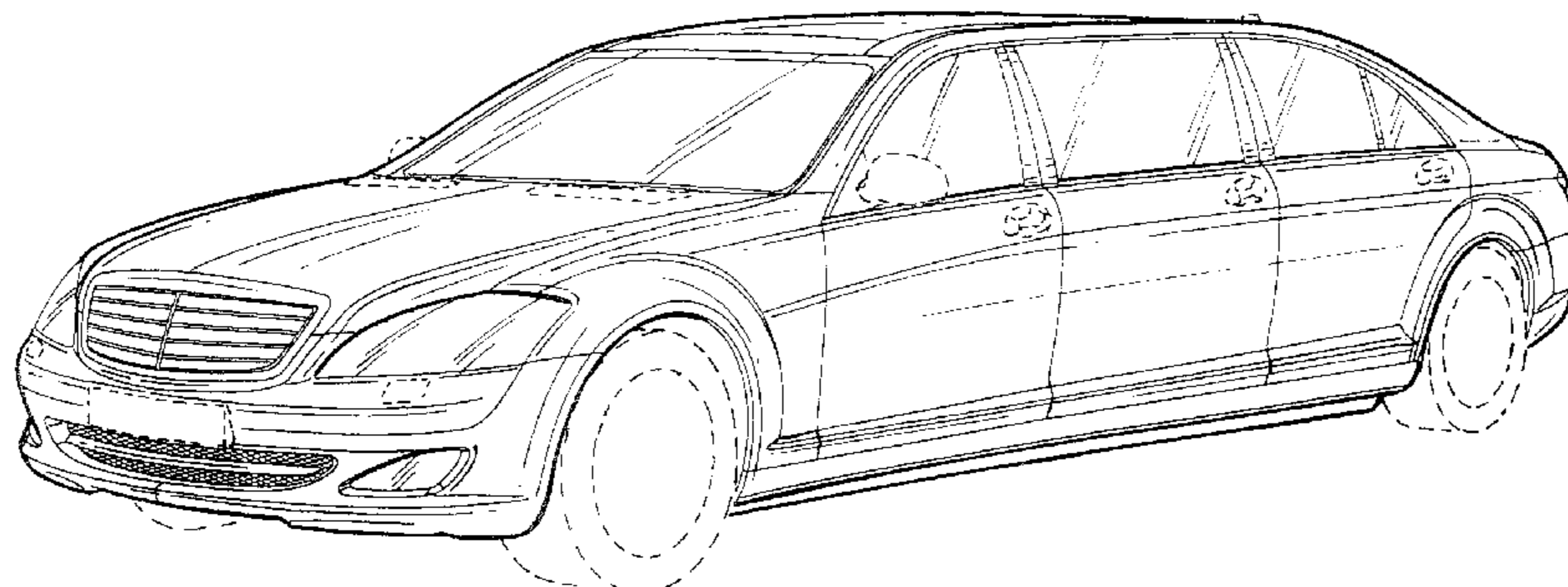
FIG. 15 is a right side view of the third embodiment of the surface configuration of a vehicle, toy and/or other replicas according to my novel design;

FIG. 16 is a left side view of the third embodiment of the surface configuration of a vehicle, toy and/or other replicas according to my novel design; and,

FIG. 17 is a top view of the third embodiment of the surface configuration of a vehicle, toy and/or other replicas according to my novel design.

The broken lines are for illustrative purposes only and form no part of the claimed design.

1 Claim, 10 Drawing Sheets



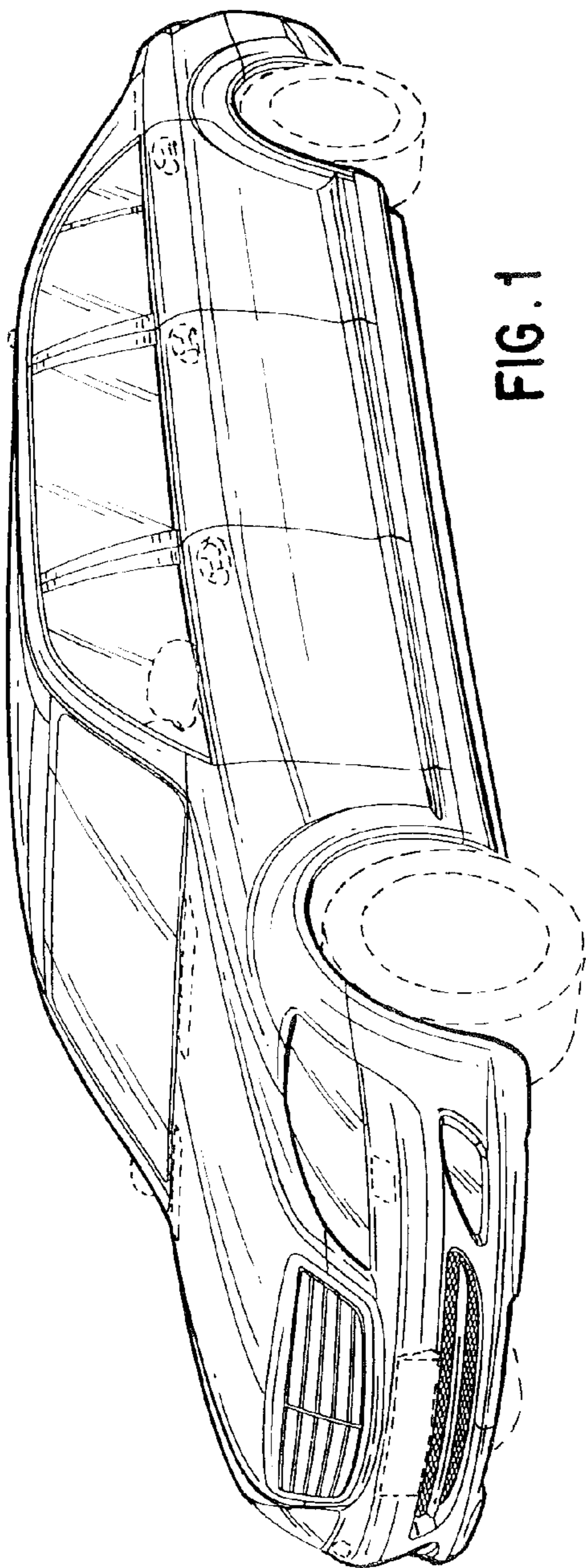


FIG. 1

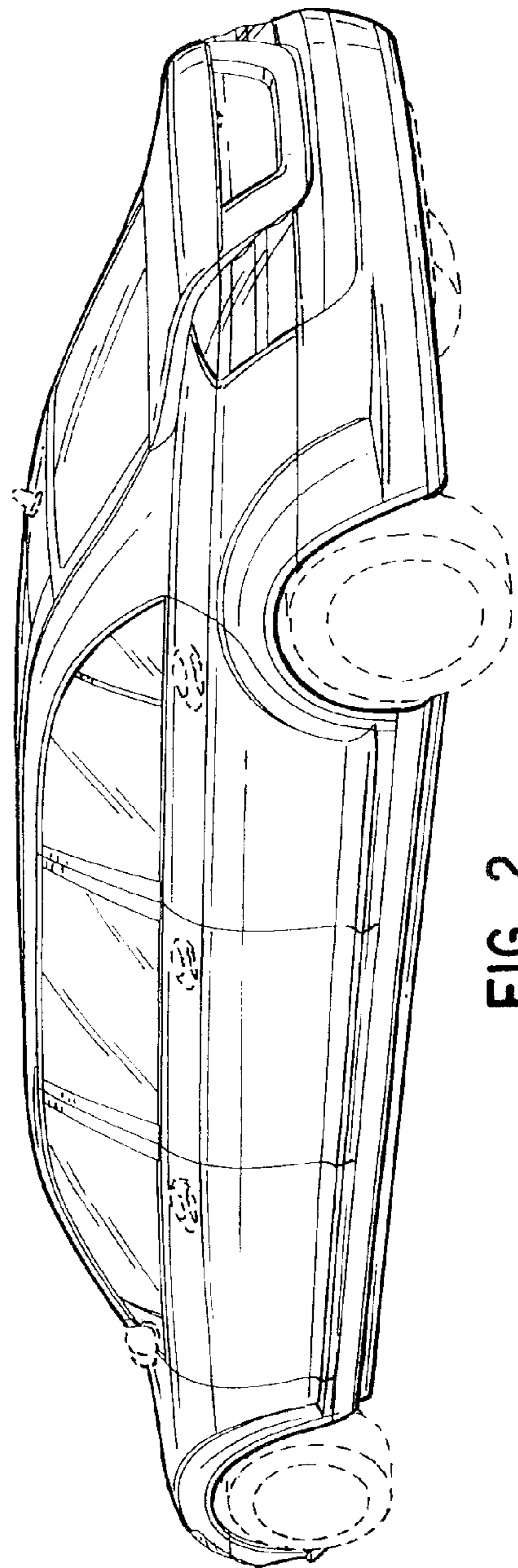


FIG. 2

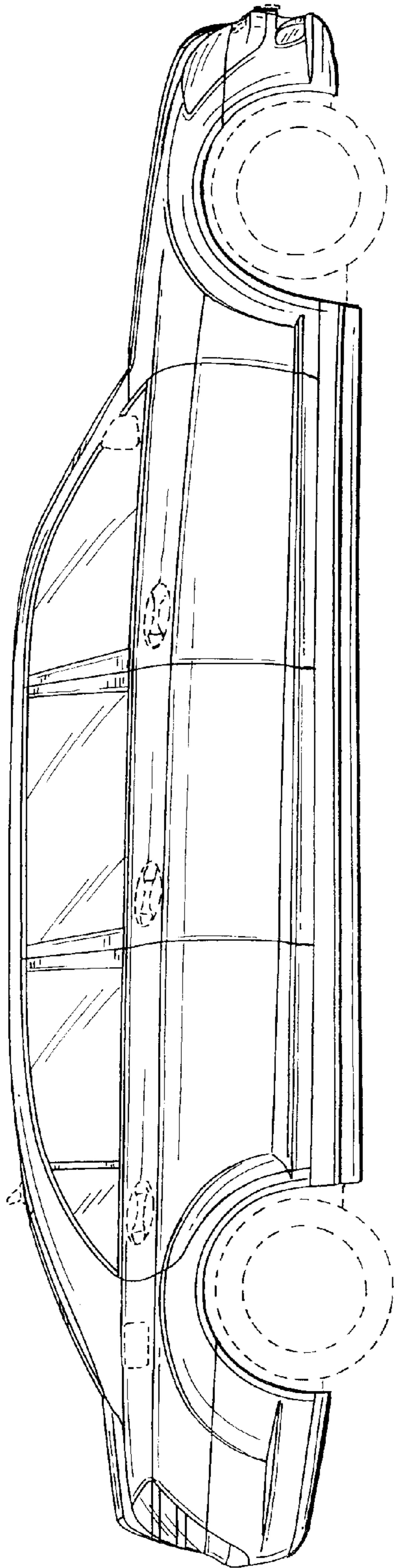


FIG. 3

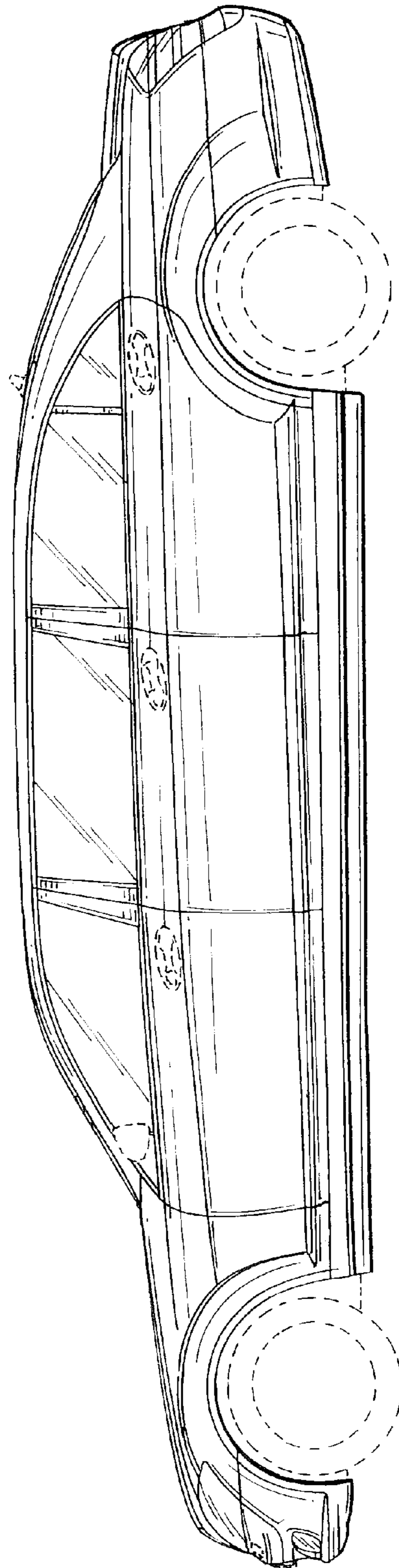


FIG. 4

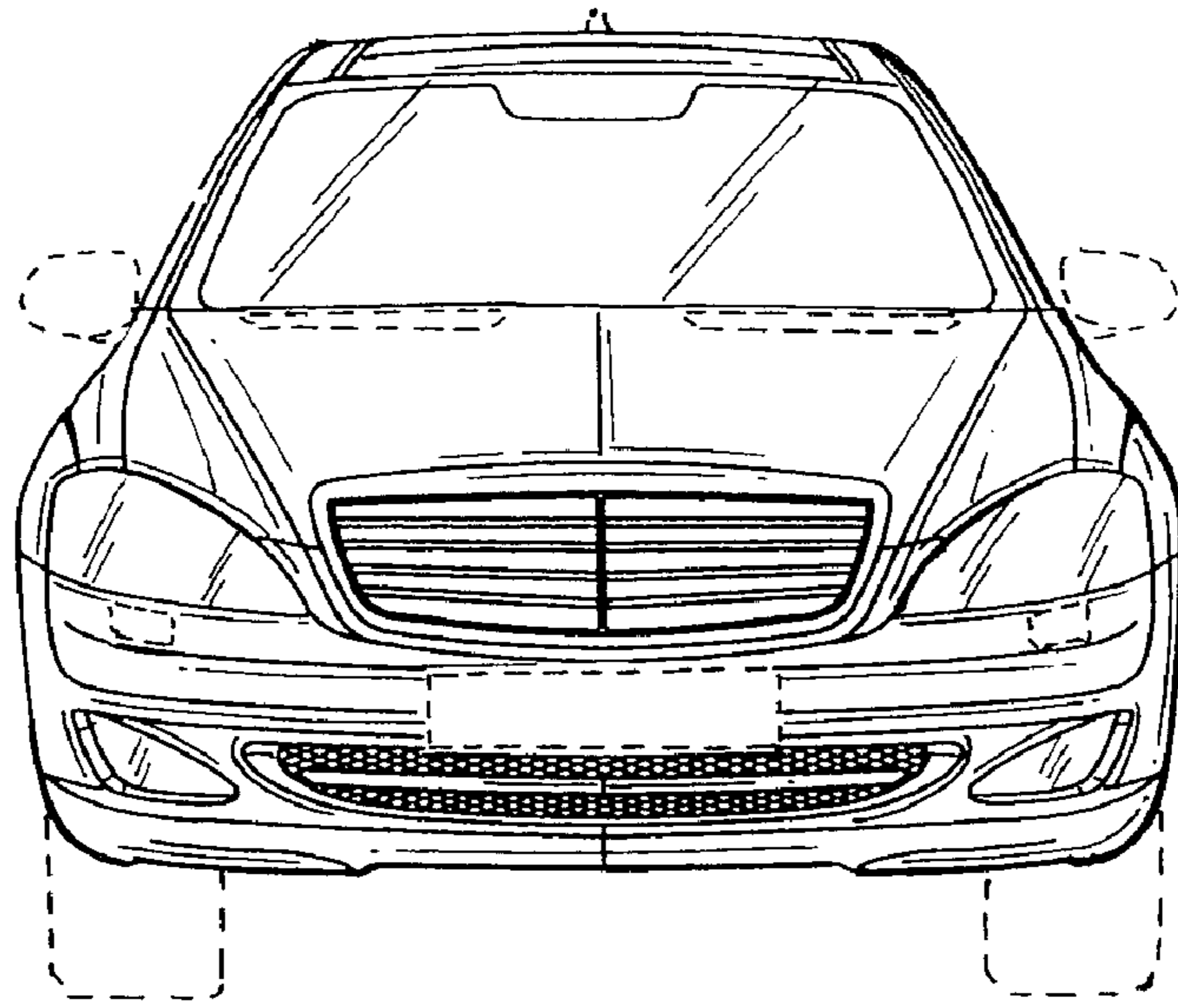


FIG. 5

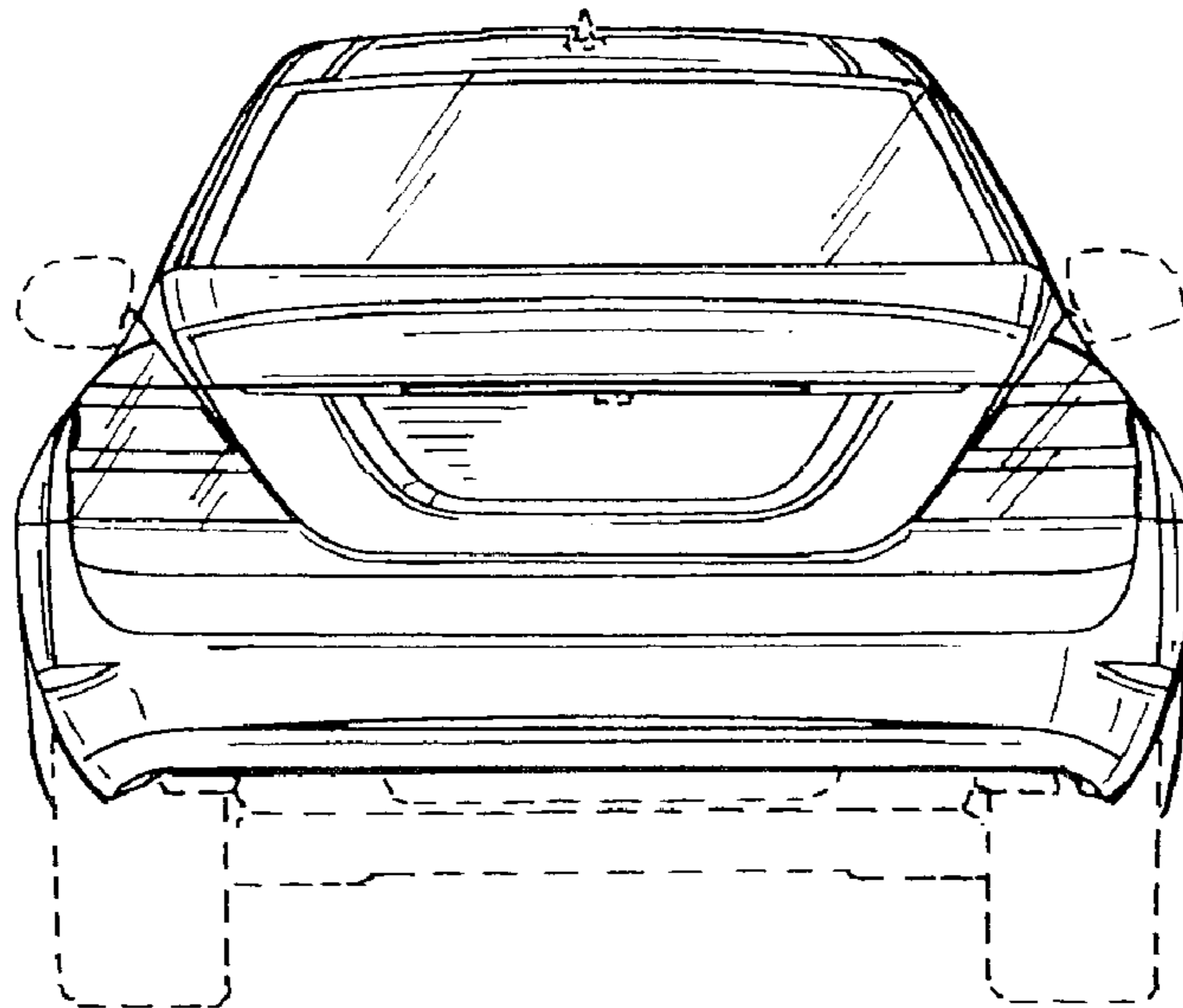


FIG. 6

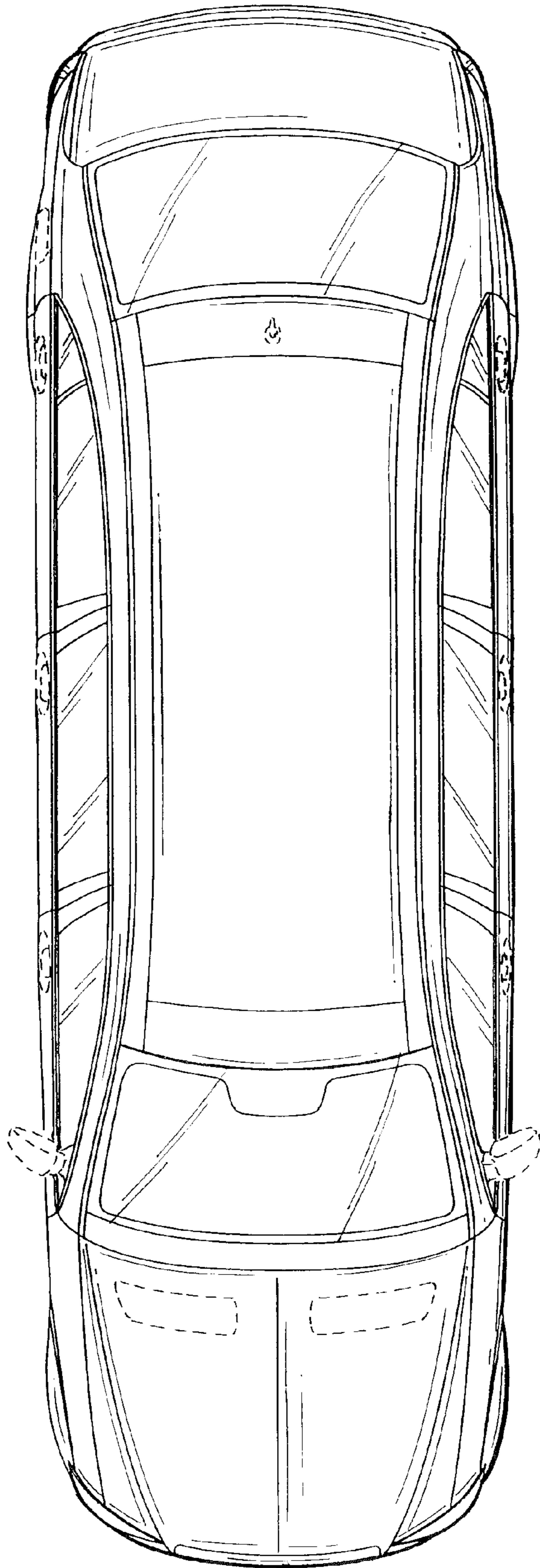


FIG. 7

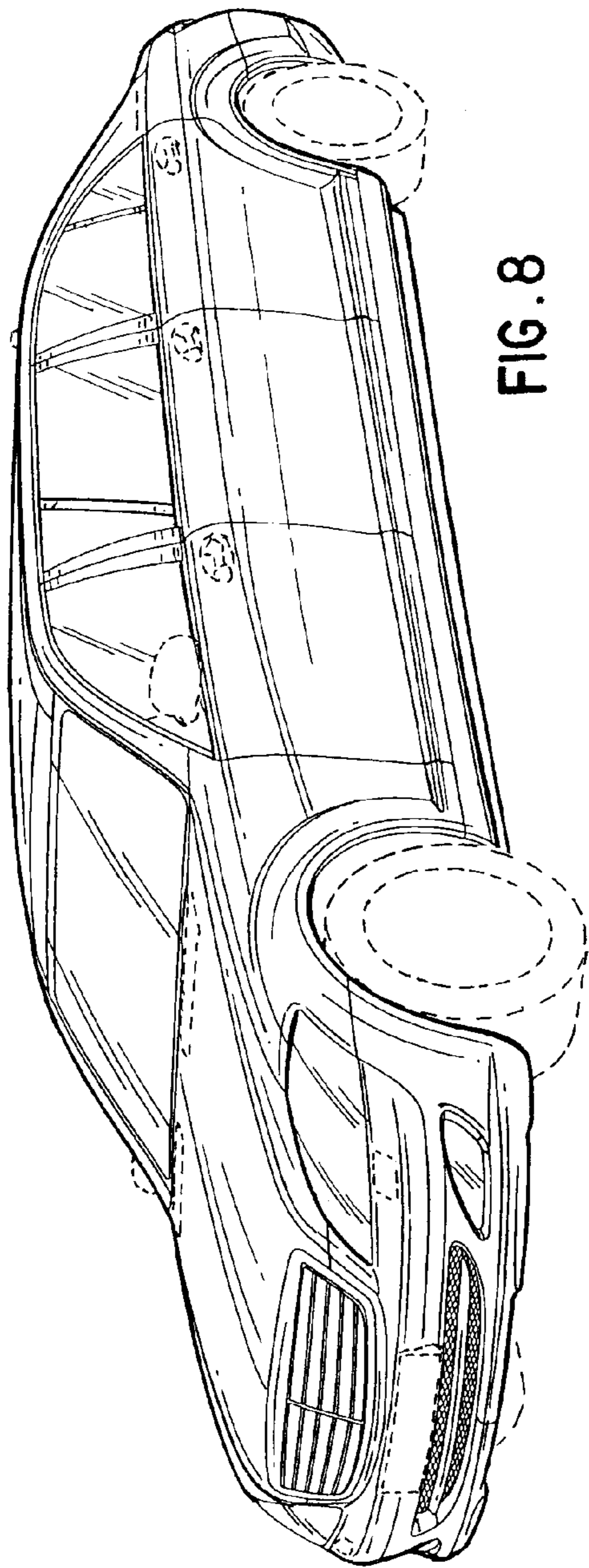


FIG. 8

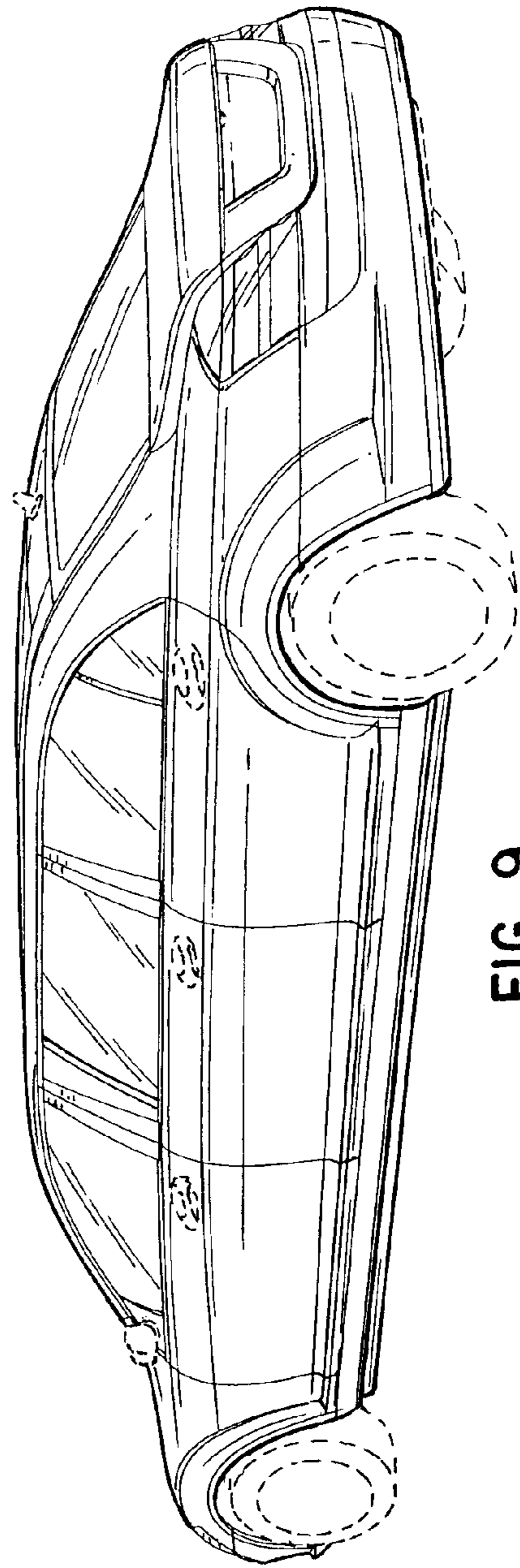


FIG. 9

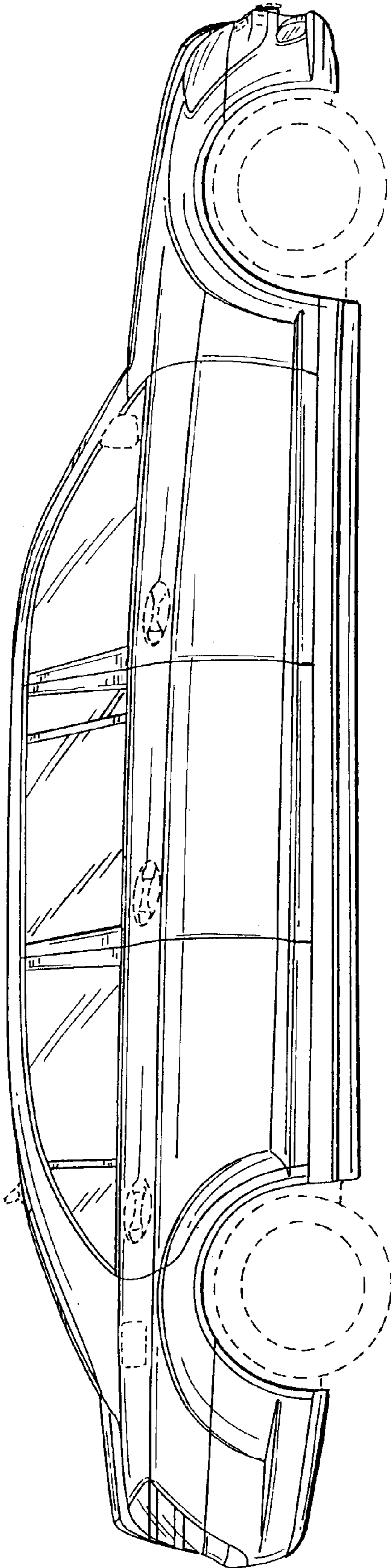


FIG. 10

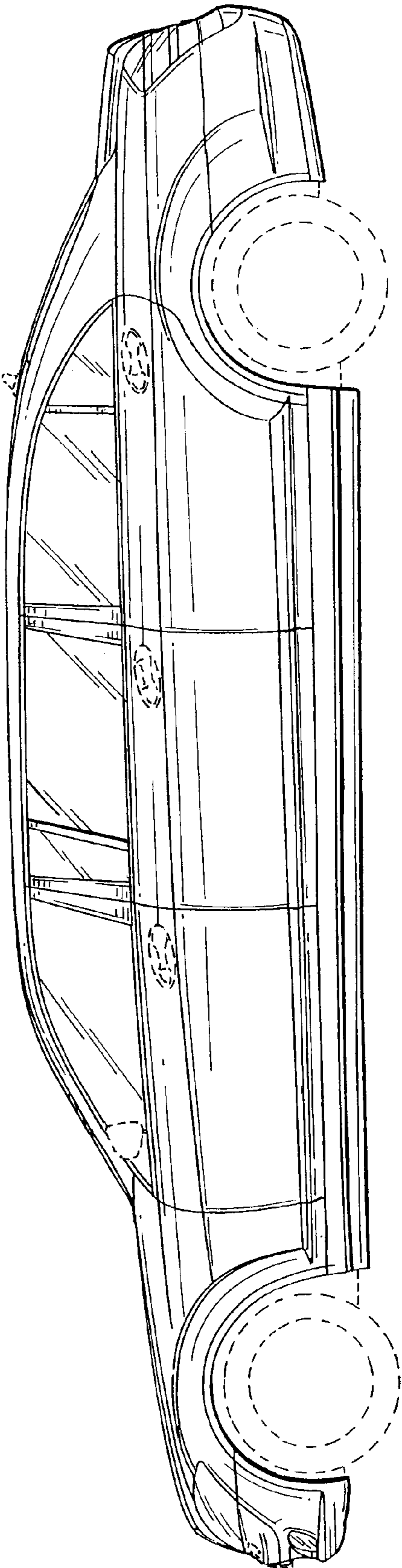


FIG. 11

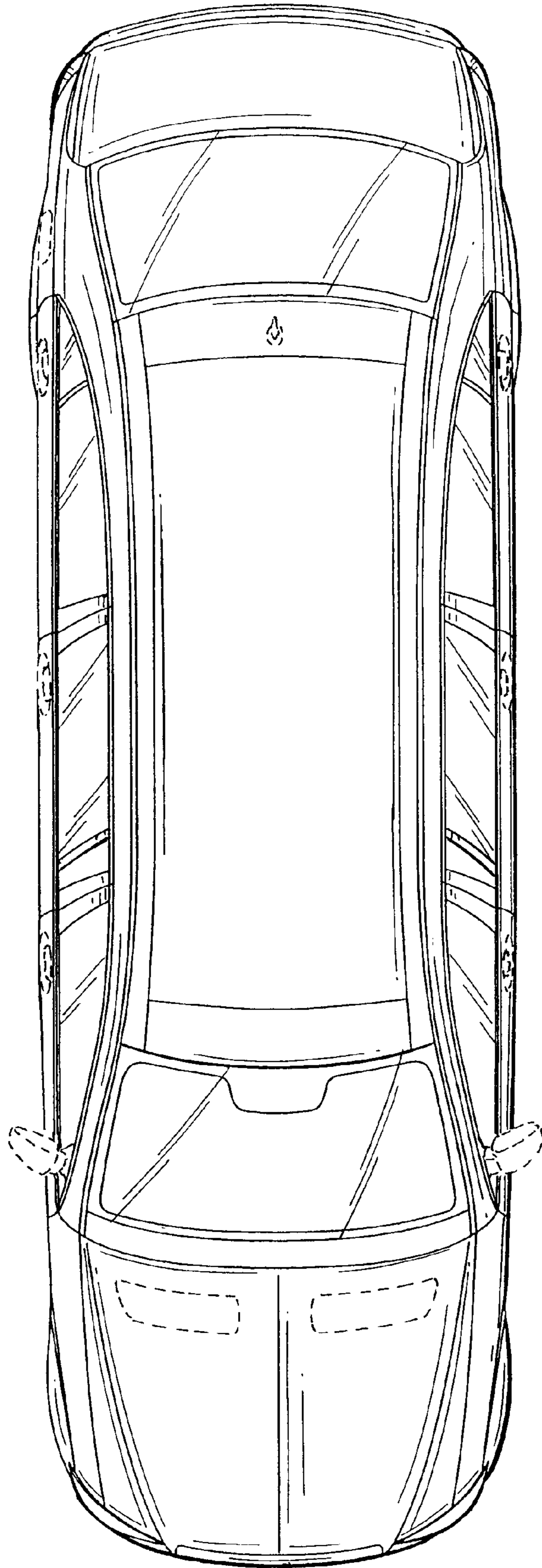


FIG. 12

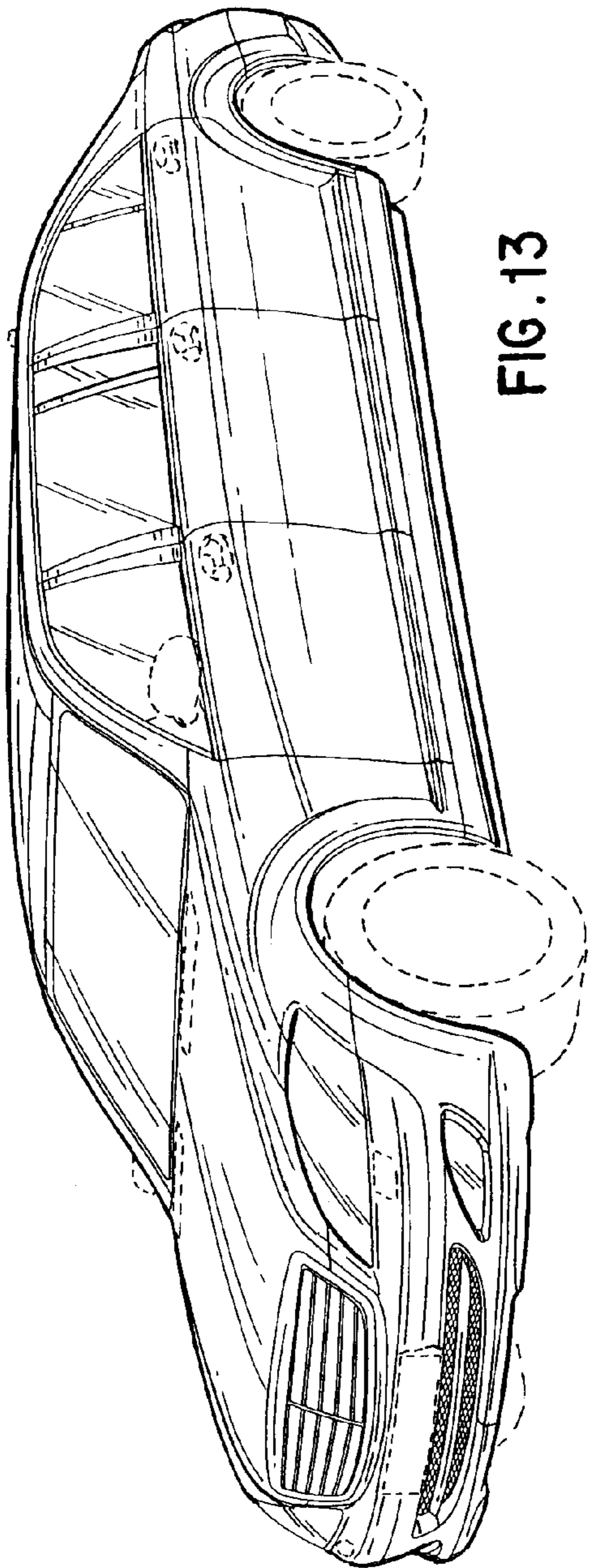


FIG. 13

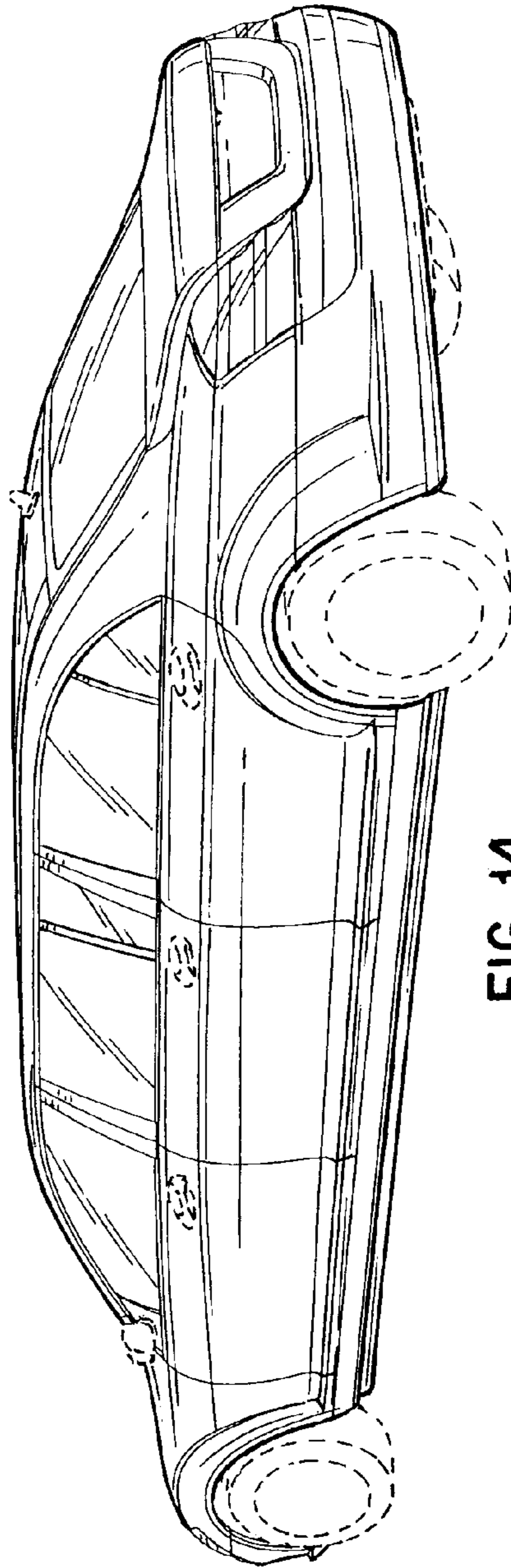


FIG. 14

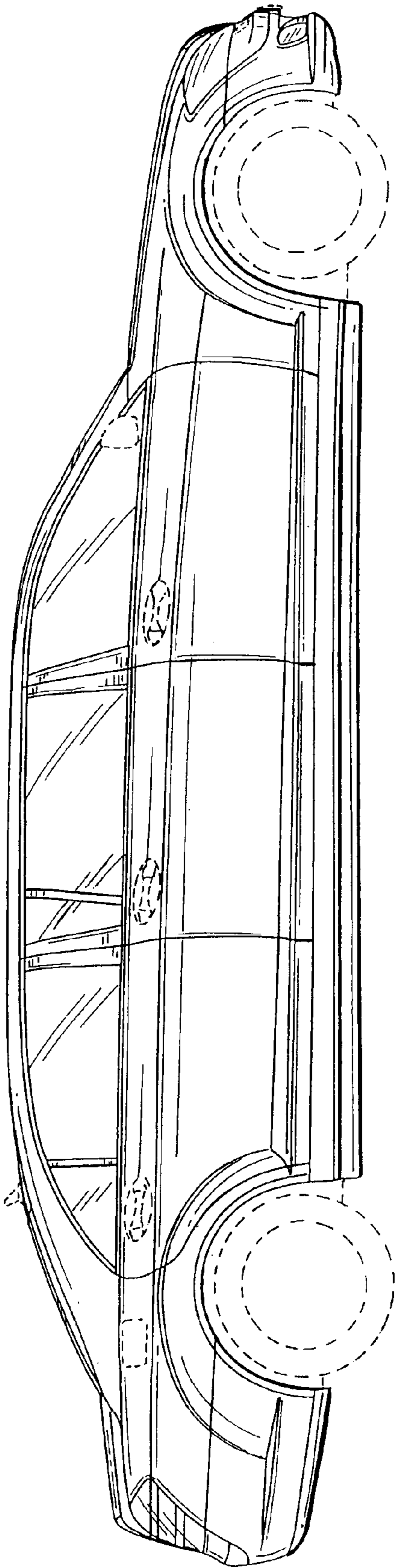


FIG. 15

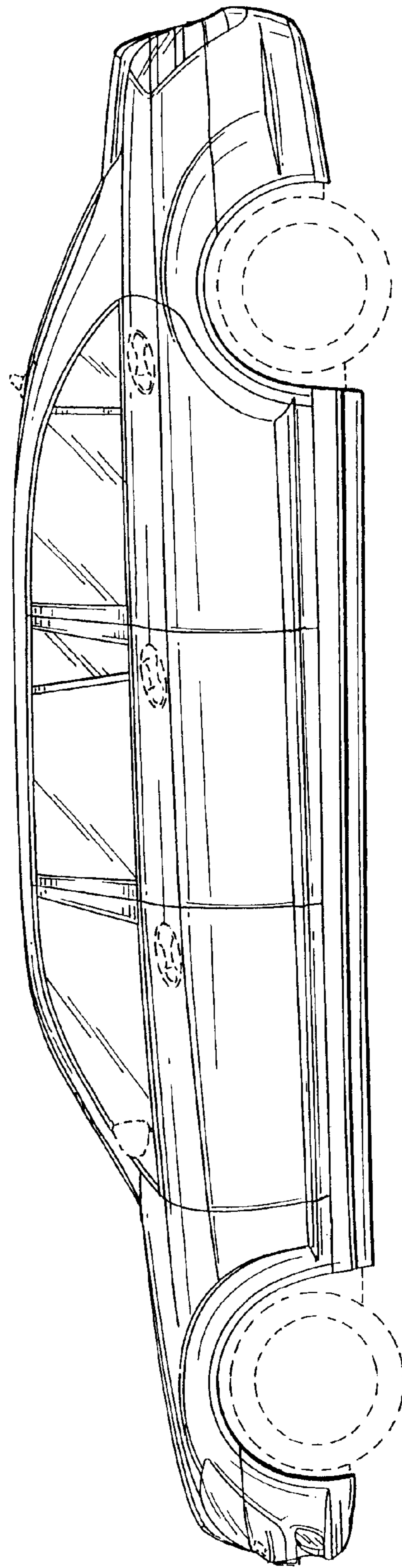


FIG. 16

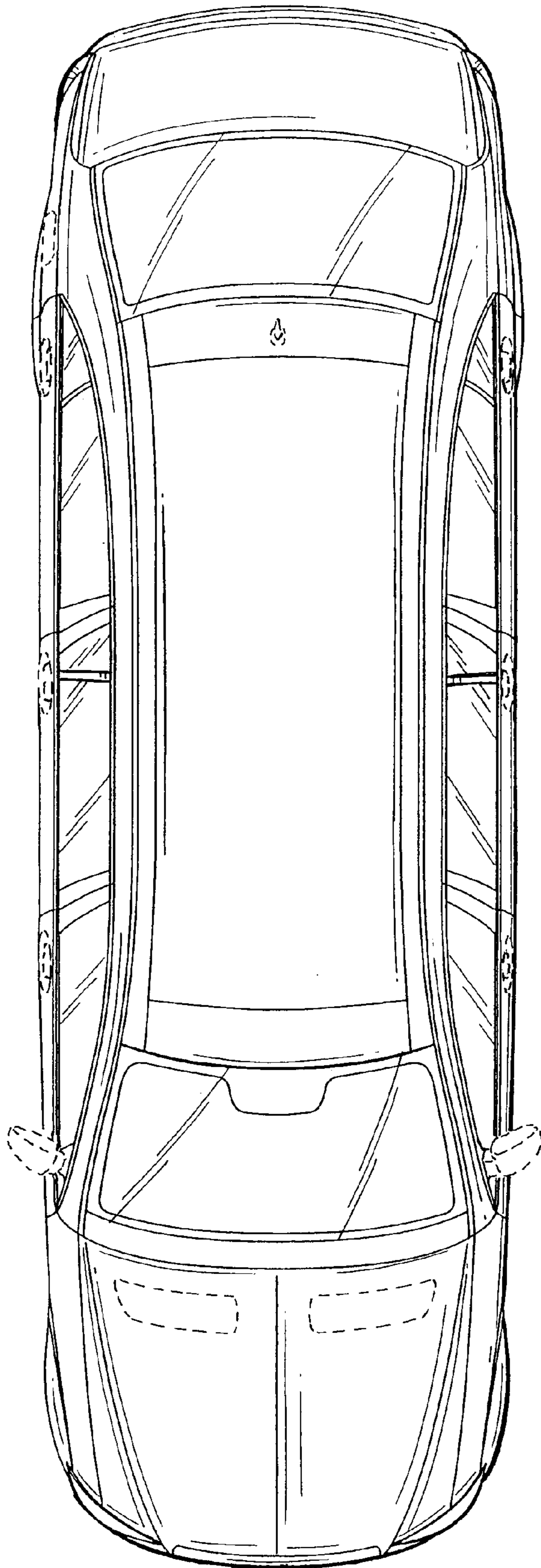


FIG. 17