



US00D525166S

(12) **United States Design Patent**
Cordeiro

(10) **Patent No.:** **US D525,166 S**

(45) **Date of Patent:** **** Jul. 18, 2006**

(54) **PLANTING POT SET**

(76) Inventor: **Gabriela F. Cordeiro**, 8 Birchlea Ave.,
Toronto Ontario (CA), M8W 1E9

(**) Term: **14 Years**

(21) Appl. No.: **29/229,253**

(22) Filed: **May 5, 2005**

(30) **Foreign Application Priority Data**

Nov. 19, 2004 (CA) 109114

(51) **LOC (8) Cl.** **11-02**

(52) **U.S. Cl.** **D11/143; D11/152**

(58) **Field of Classification Search** D11/143-149,
D11/151-155; D6/556-558, 565; D7/503,
D7/507, 509, 527, 528, 586, 587, 603; D9/516,
D9/549, 557-560; D19/75, 77, 81, 84, 85;
D26/9, 11, 22; 215/6, 379, 382, 387; 220/23.2,
220/23.4, 23.83, 568, 574; 47/41.1, 65.5,
47/66.1, 66.6, 66.7, 67, 69, 79, 81
See application file for complete search history.

(56) **References Cited**

U.S. PATENT DOCUMENTS

580,447 A *	4/1897	Besuner	220/23.4
1,581,691 A *	4/1926	Ratner	215/382
D154,671 S *	8/1949	Foley	D7/587
2,602,309 A *	7/1952	Doyle	220/23.83
2,613,517 A *	10/1952	Frantz	220/23.2
2,799,972 A *	7/1957	Teixeira	220/23.4
2,857,076 A *	10/1958	Tolbert, Jr. et al.	D11/152
3,350,131 A *	10/1967	Tanzer	215/387
D245,368 S *	8/1977	Mueller	D11/143
D268,337 S *	3/1983	Tenzer et al.	D11/152
D272,882 S *	3/1984	Gardner et al.	D7/603
4,483,455 A *	11/1984	Prophet et al.	220/23.83
D286,604 S *	11/1986	Bierlein et al.	D11/152
D297,719 S *	9/1988	Blaicher	D11/143
D302,295 S *	7/1989	Hanifl et al.	D11/143
4,873,921 A *	10/1989	Piane, Sr.	220/23.4
4,969,568 A *	11/1990	Yoshida	220/23.4
D314,731 S *	2/1991	Ryason et al.	D11/148
D322,753 S *	12/1991	Sussman	D11/152

5,101,997 A *	4/1992	Bagwell et al.	220/23.4
D356,829 S *	3/1995	Russomano et al.	D19/77
D357,886 S *	5/1995	Fuller	D11/152
5,454,189 A *	10/1995	Graham et al.	D11/143
D365,300 S *	12/1995	Bransky et al.	D11/143
D421,462 S *	3/2000	Orchanian	D19/77
2004/0010971 A1 *	1/2004	Redfield et al.	47/65.5

* cited by examiner

Primary Examiner—Caron D. Veynar

Assistant Examiner—Garth Rademaker

(74) *Attorney, Agent, or Firm*—Baker & Daniels

(57) **CLAIM**

The ornamental design for the planting pot set, as shown and described.

DESCRIPTION

FIG. 1 is a front, top perspective view of a planting pot set showing my new design;

FIG. 2 is a rear, bottom perspective view thereof;

FIG. 3 is a top plan view thereof;

FIG. 4 is a front, top perspective view of the rear member of the planting pot set, shown separately for ease of illustration, the rear, top perspective view being identical;

FIG. 5 is a top plan view thereof.

FIG. 6 is a front, top perspective view of the right member of the planting pot set, shown separately for ease of illustration;

FIG. 7 is a rear, top perspective view thereof;

FIG. 8 is a top plan view thereof.

FIG. 9 is a front, top perspective view of the left member of the planting pot set, shown separately for ease of illustration;

FIG. 10 is a rear, top perspective view thereof;

FIG. 11 is a top plan view thereof.

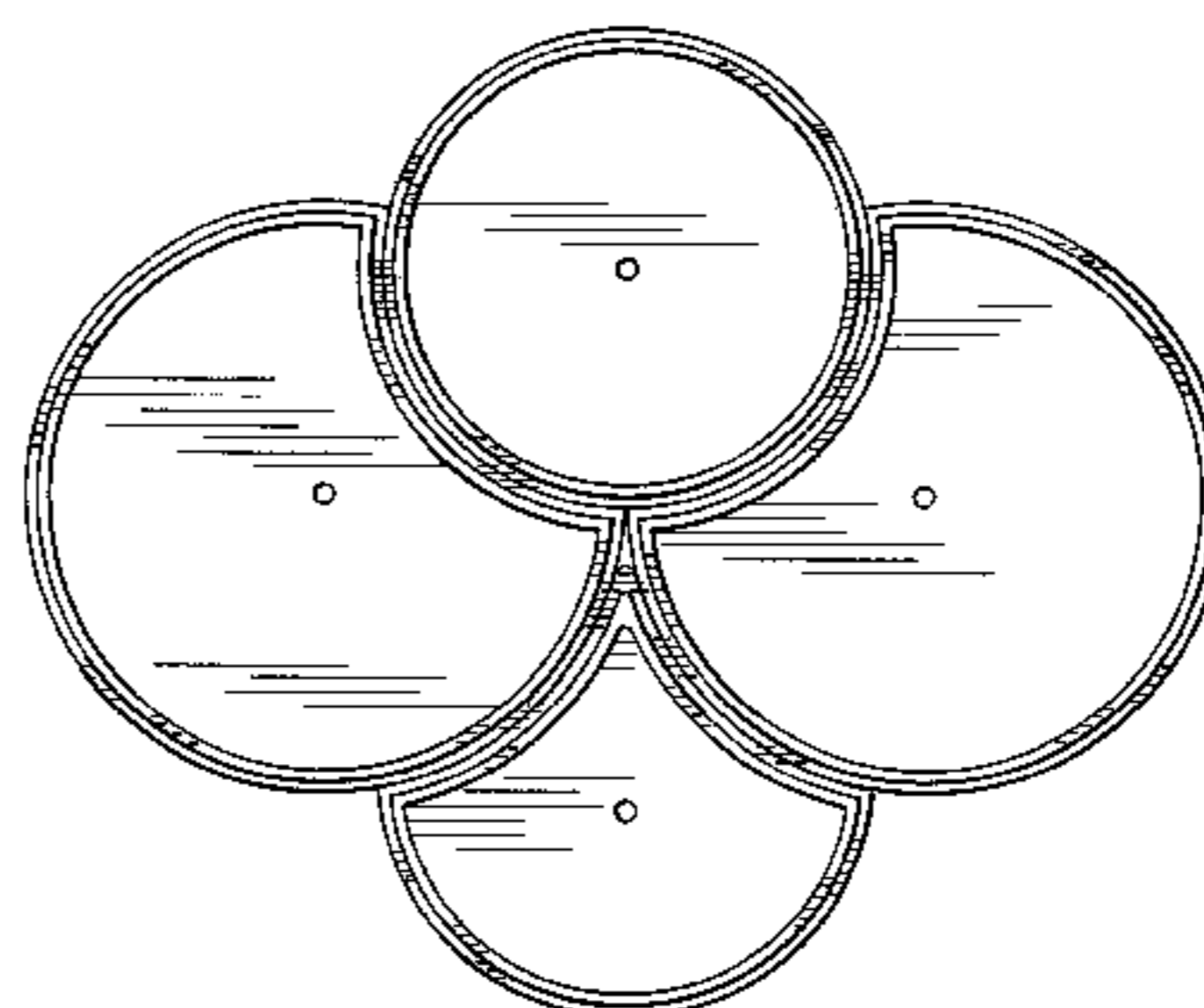
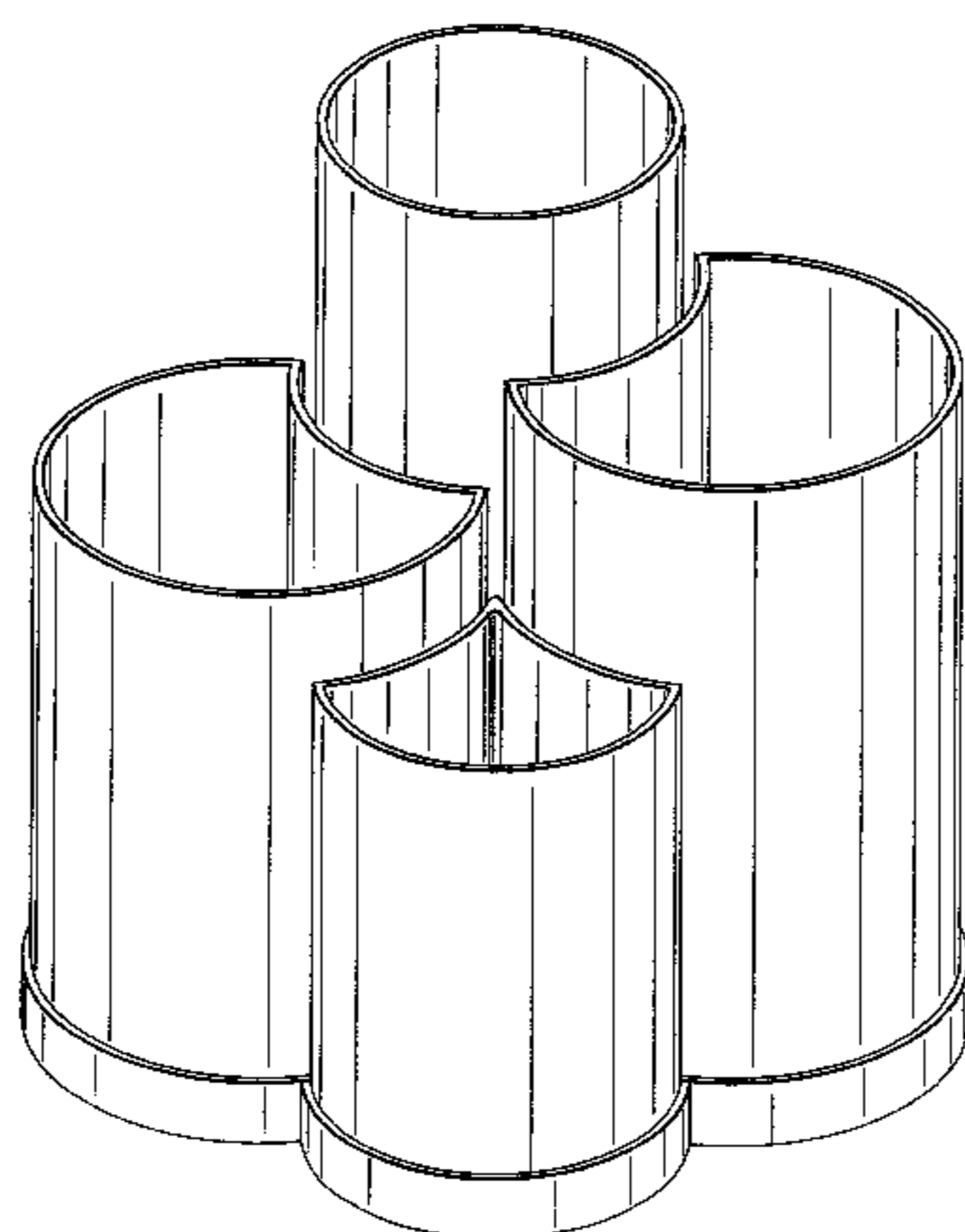
FIG. 12 is a front, top perspective view of the front member of the planting pot set, shown separately for ease of illustration;

FIG. 13 is a right side, top perspective view thereof, the left side, top perspective view being a mirror image thereof;

FIG. 14 is a rear, top perspective view thereof; and,

FIG. 15 is a top plan view thereof.

1 Claim, 7 Drawing Sheets



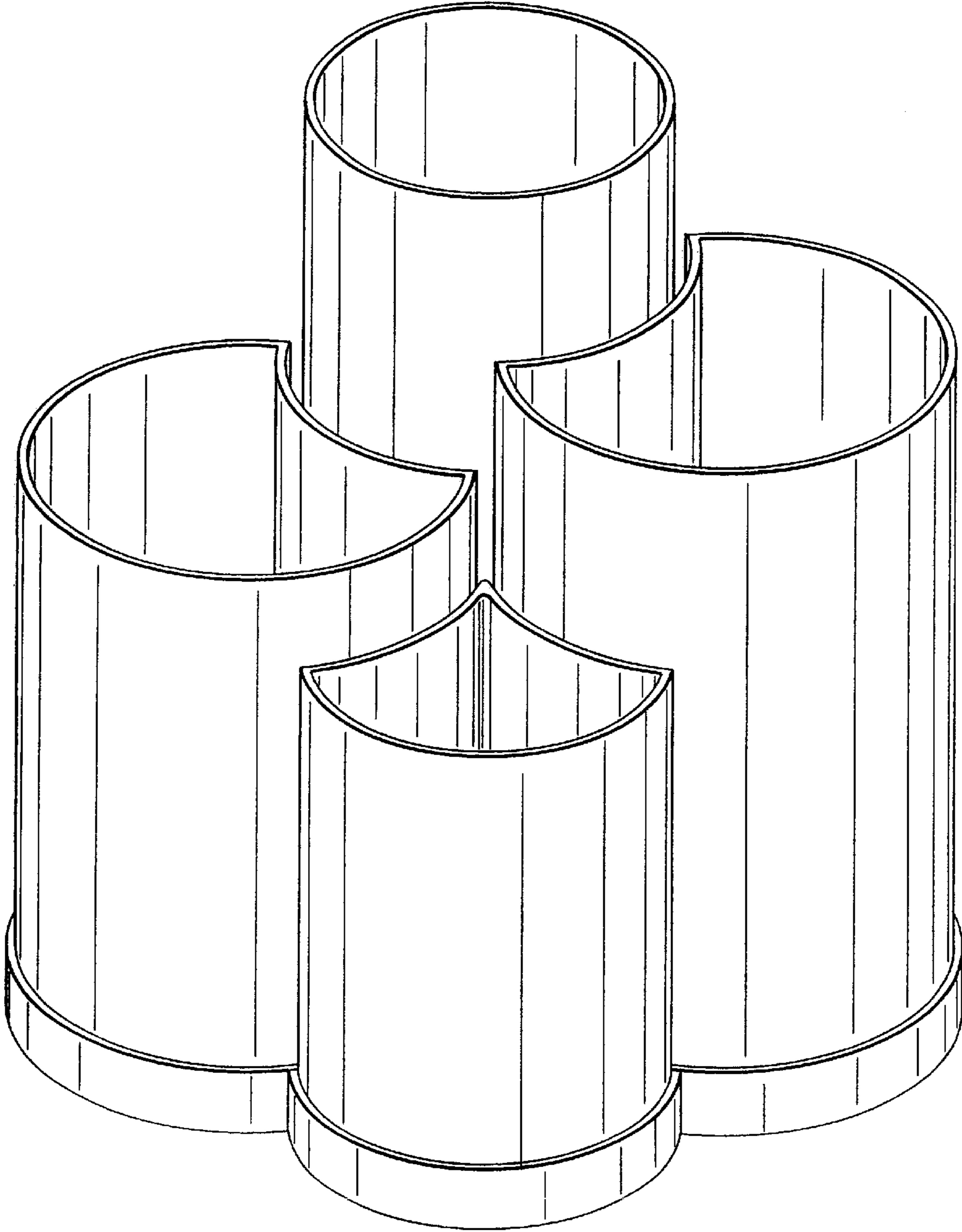


FIG. 1

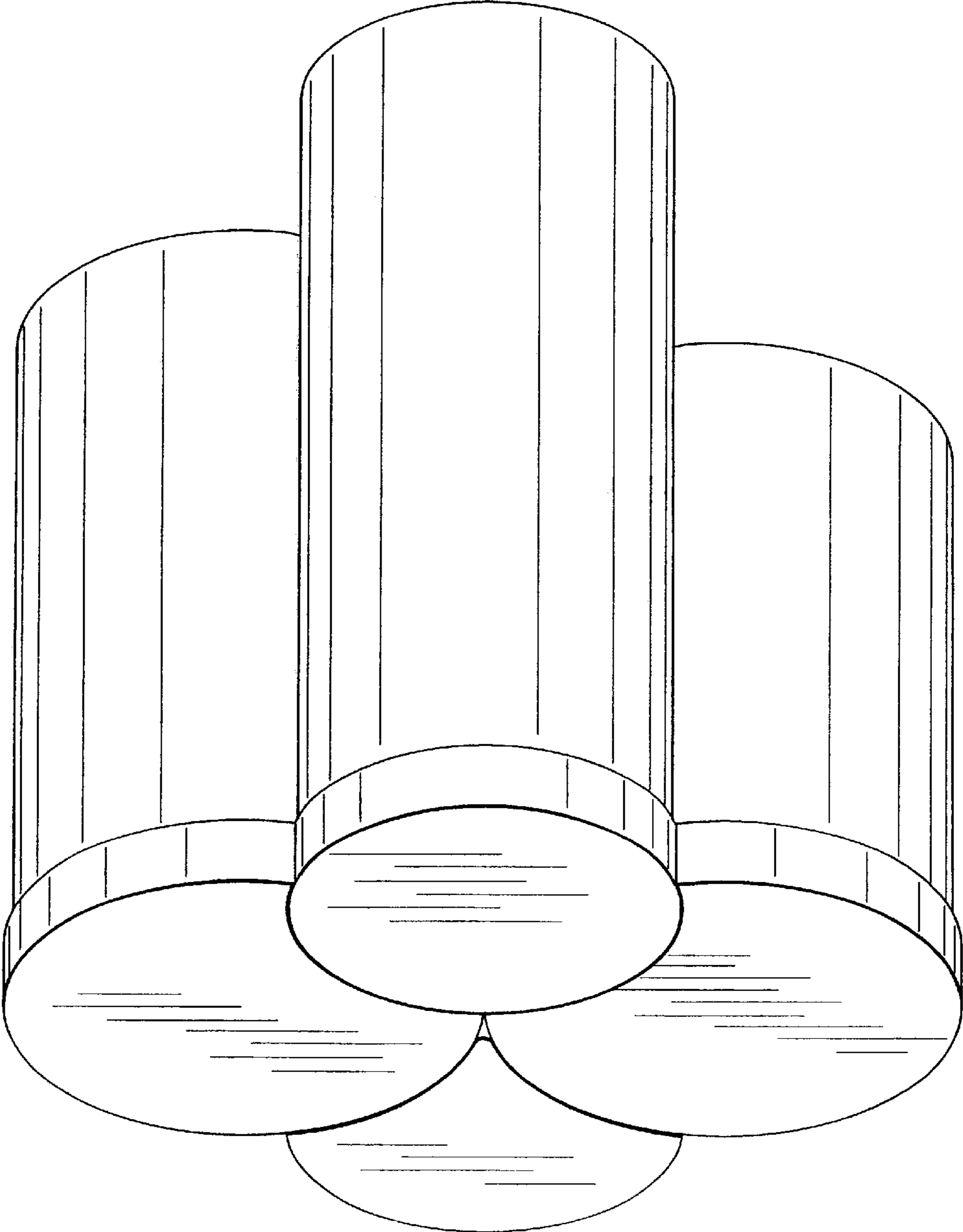


FIG. 2

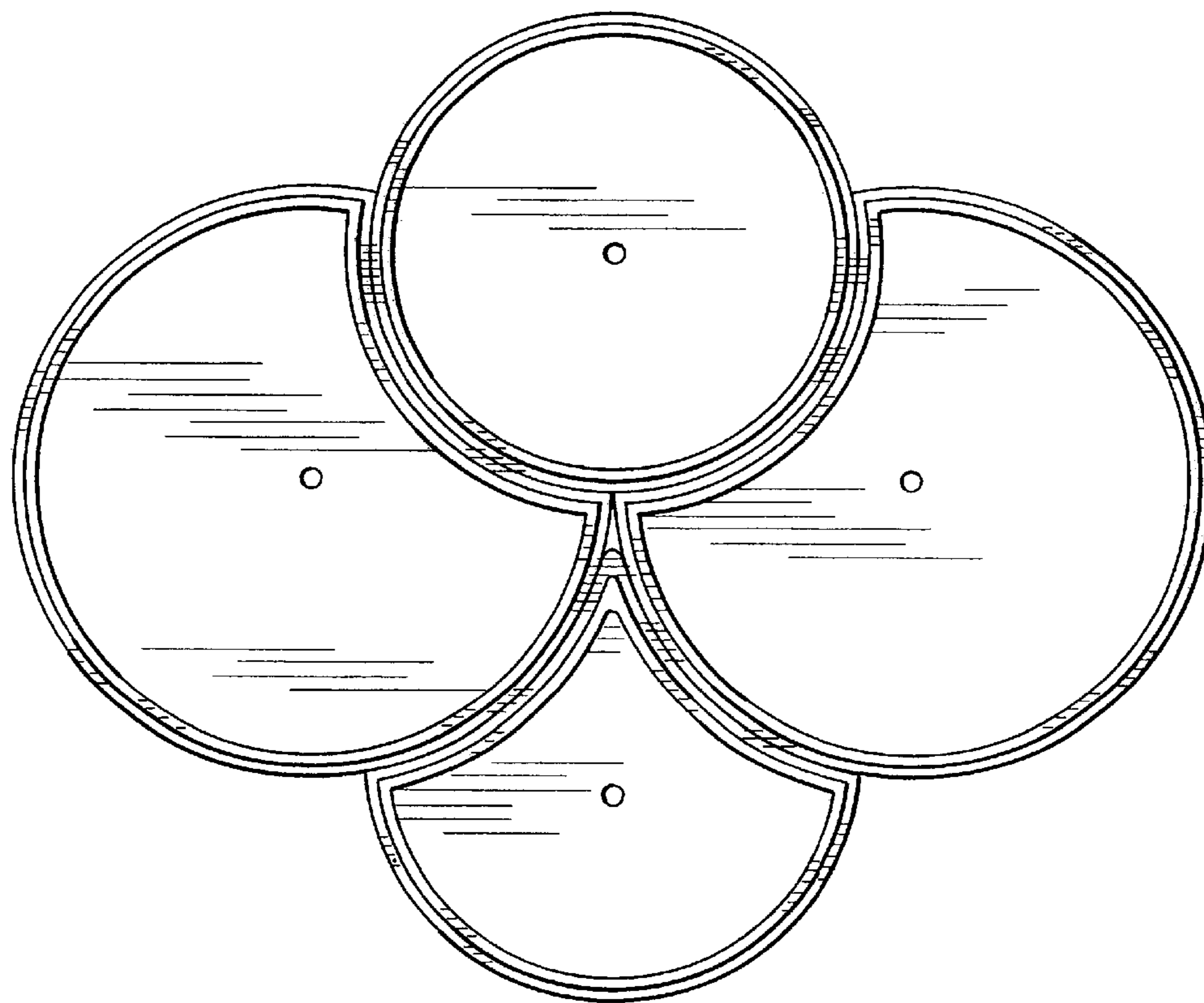


FIG. 3

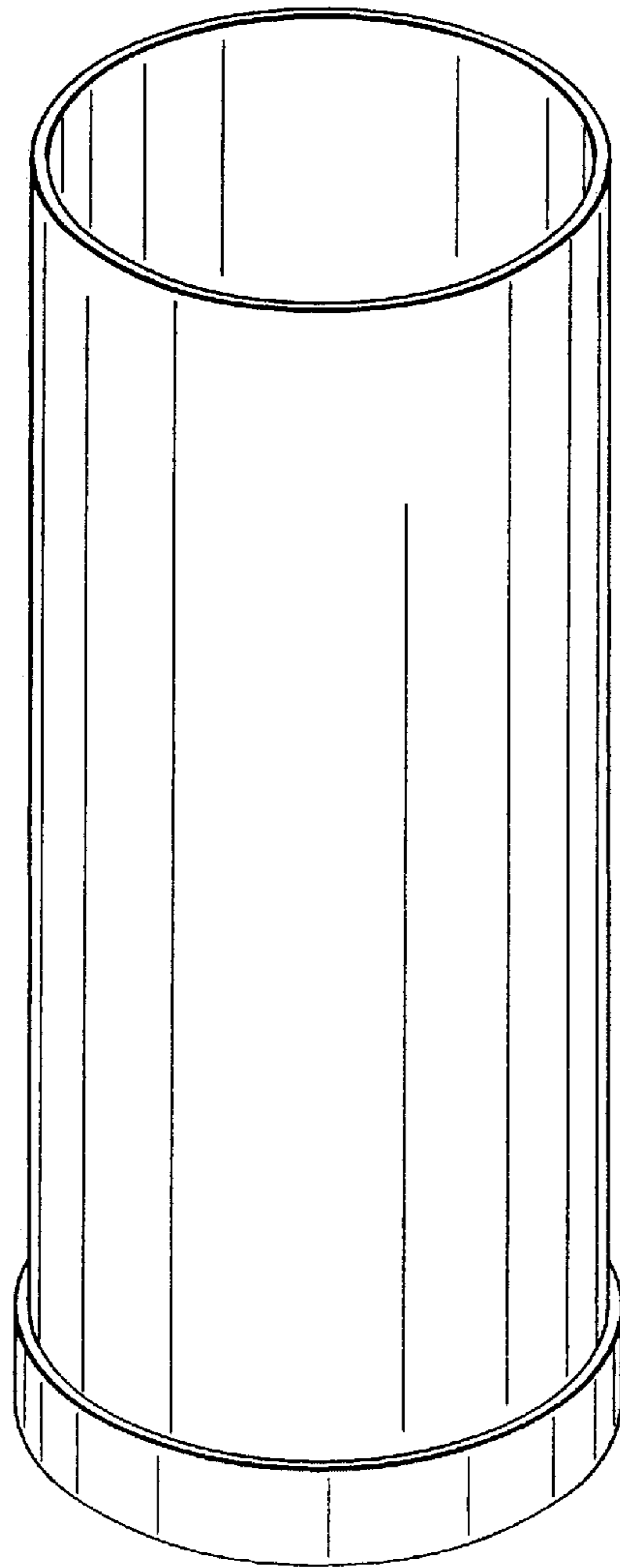


FIG. 4

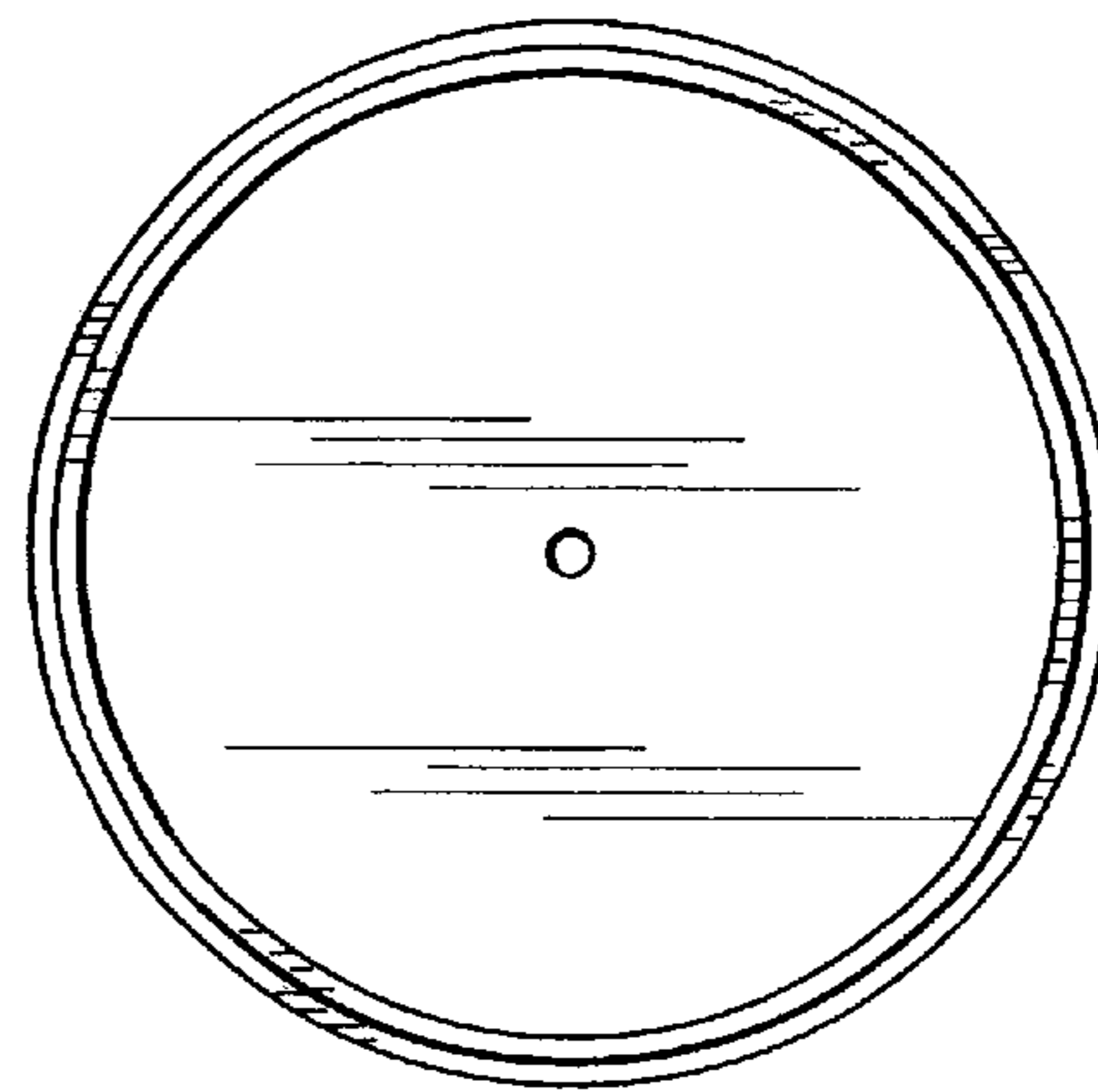


FIG. 5

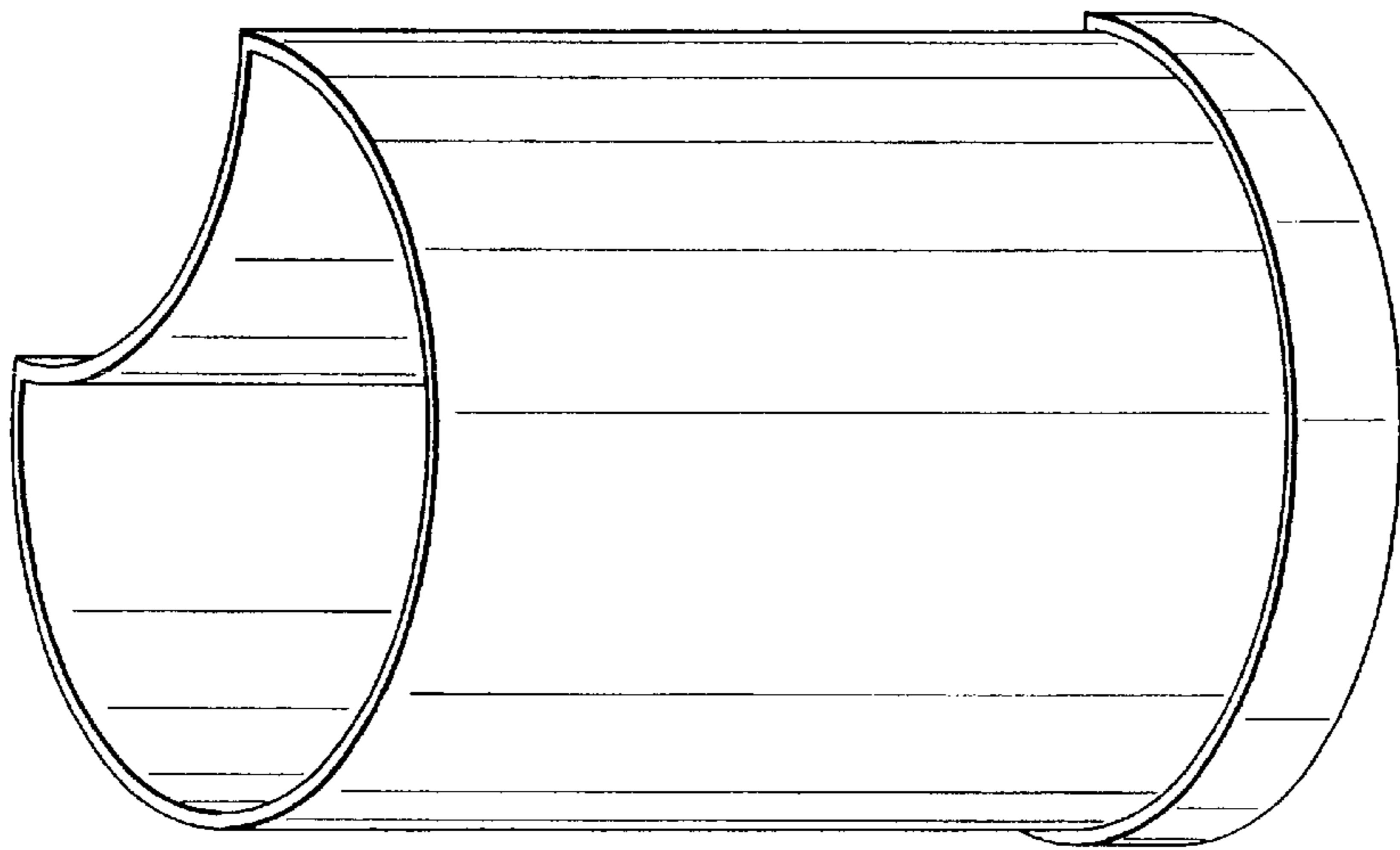


FIG. 6

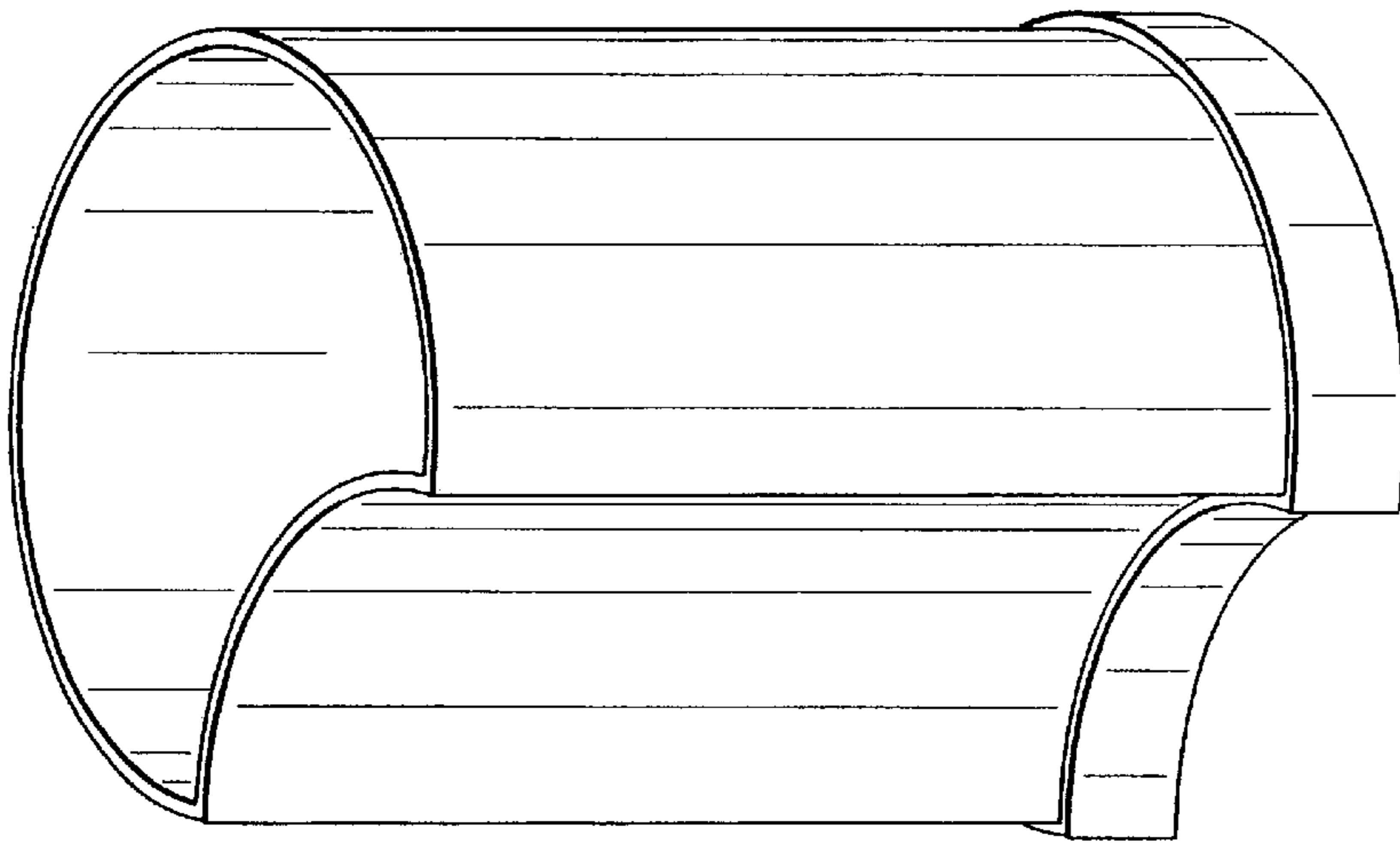


FIG. 7

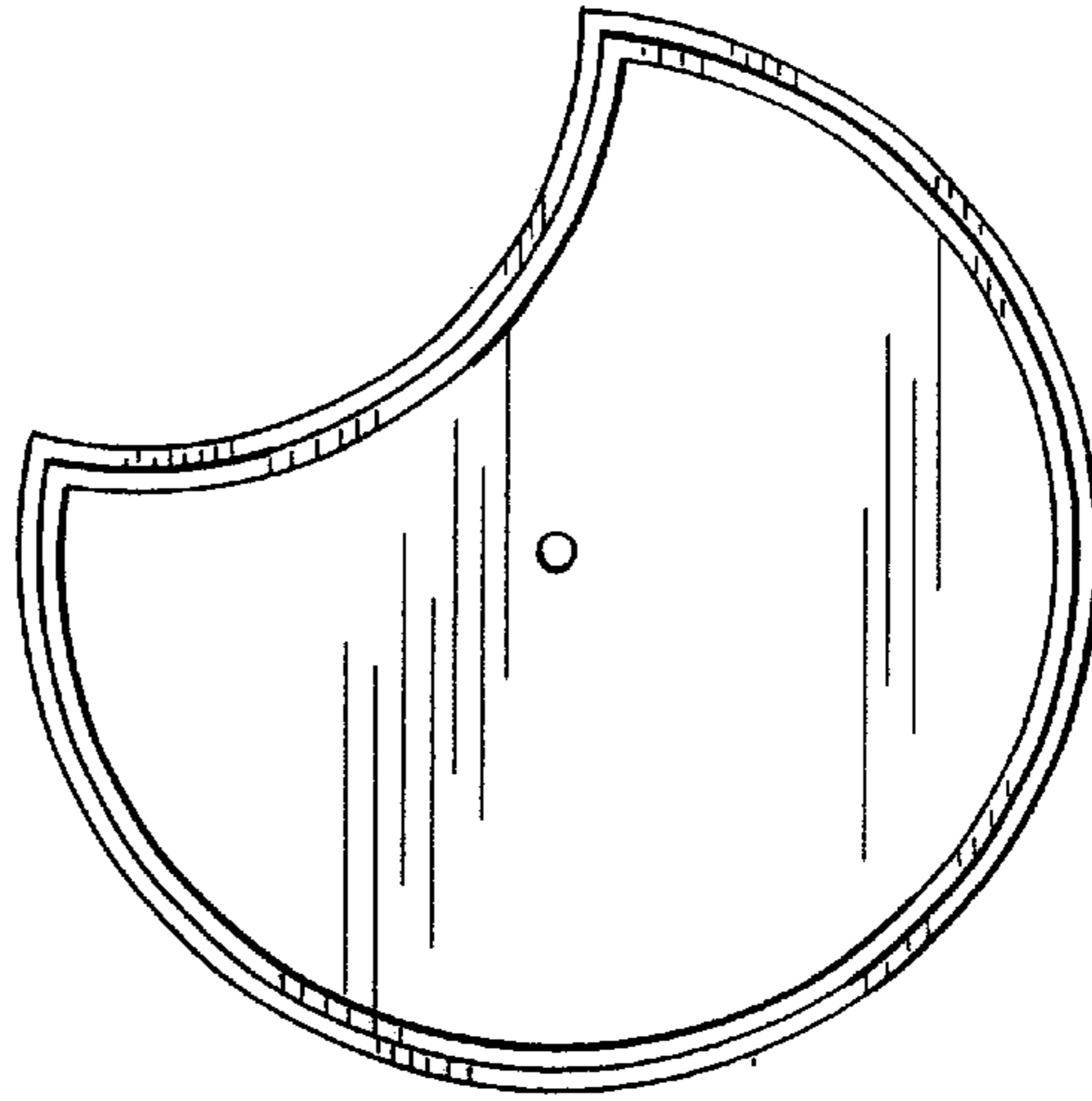


FIG. 8

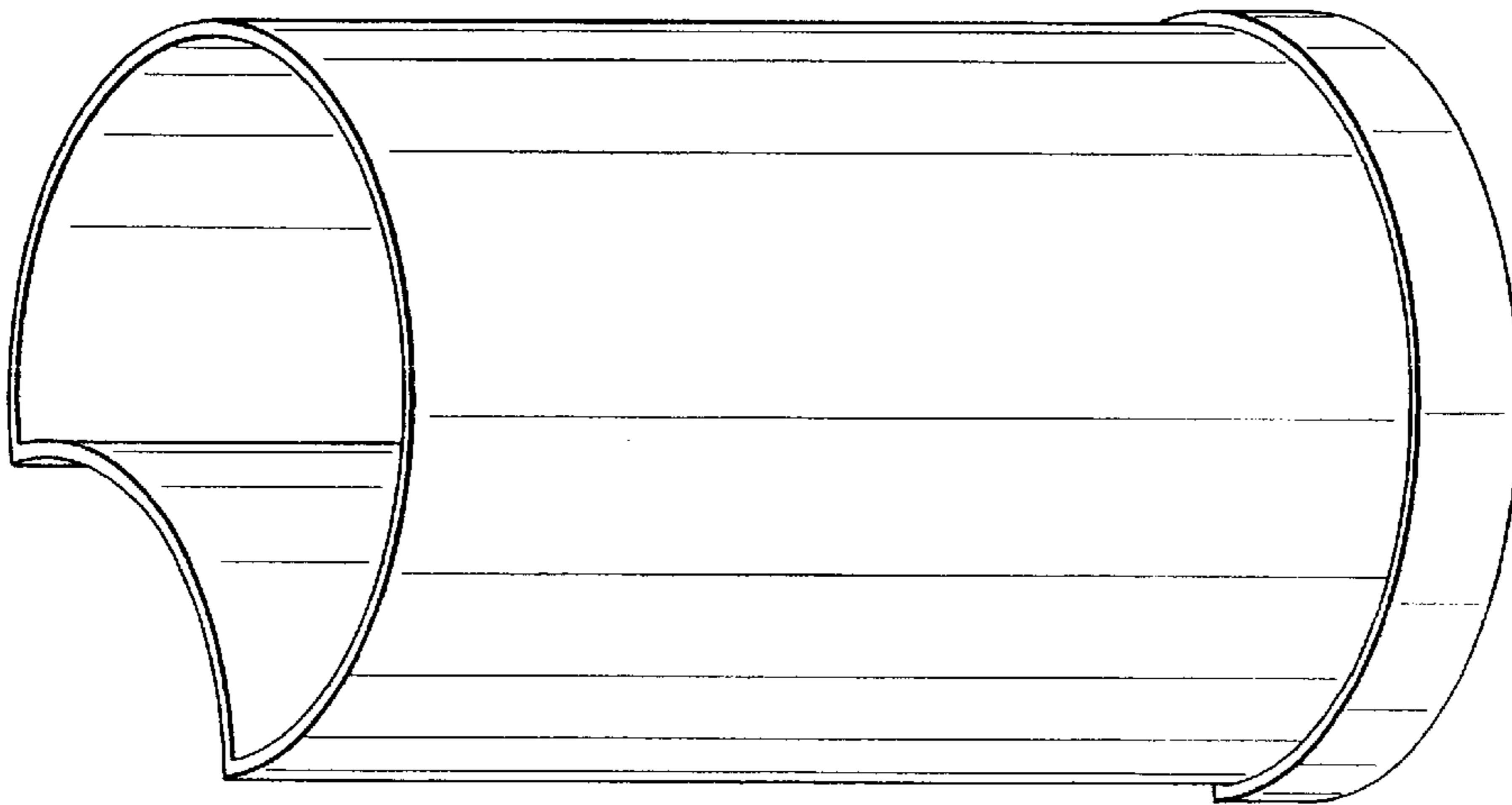


FIG. 9

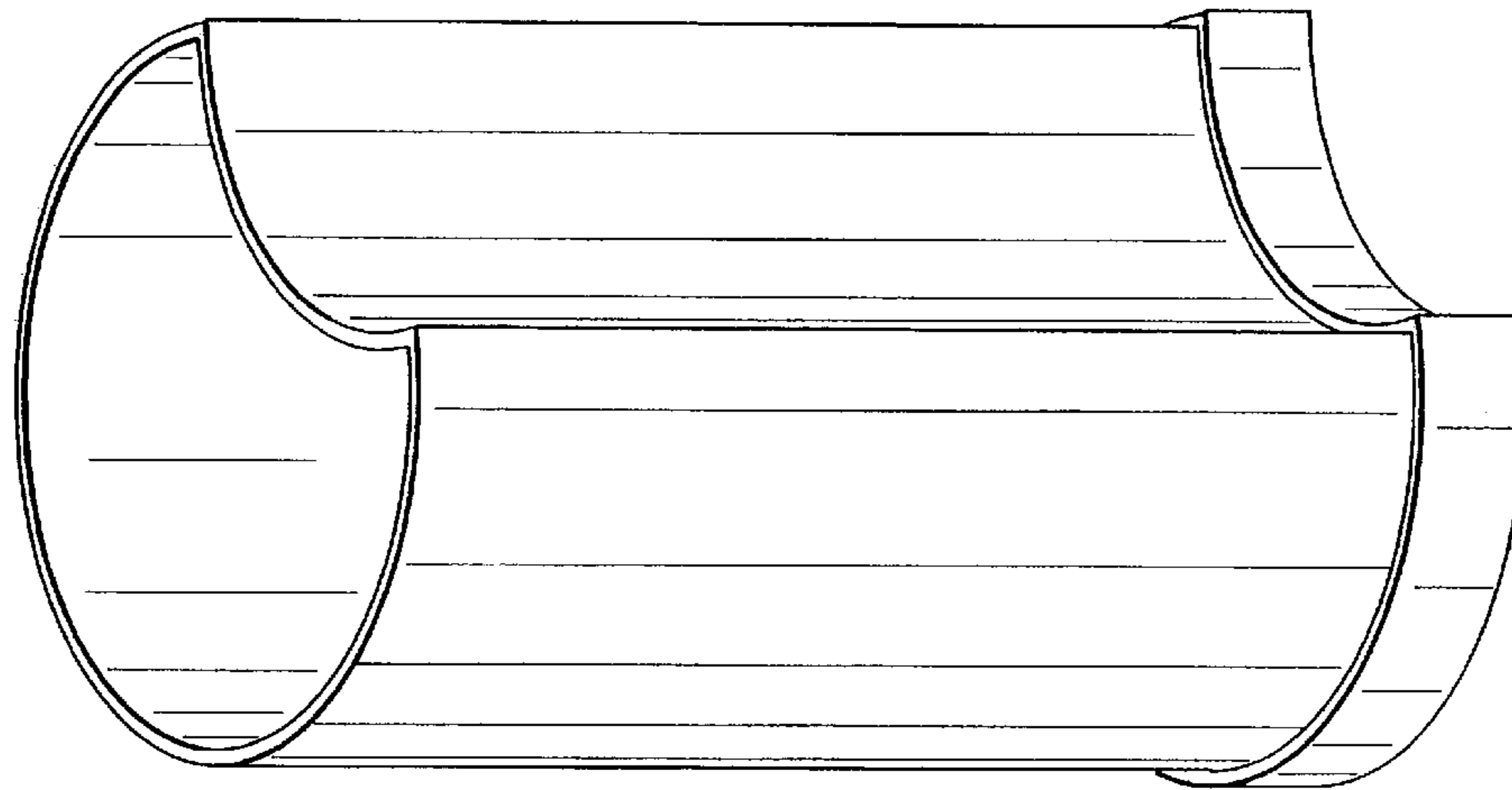


FIG. 10

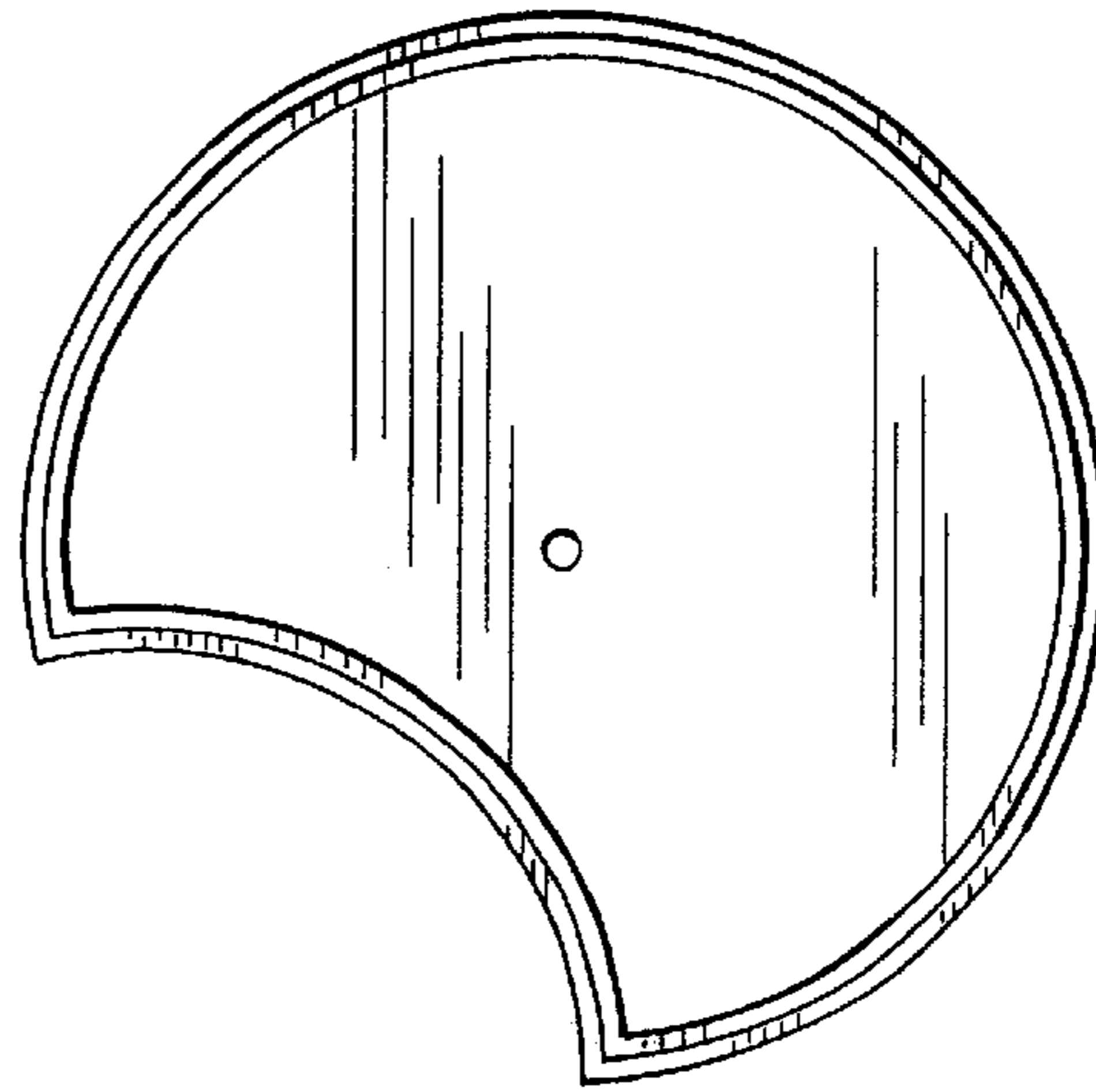


FIG. 11

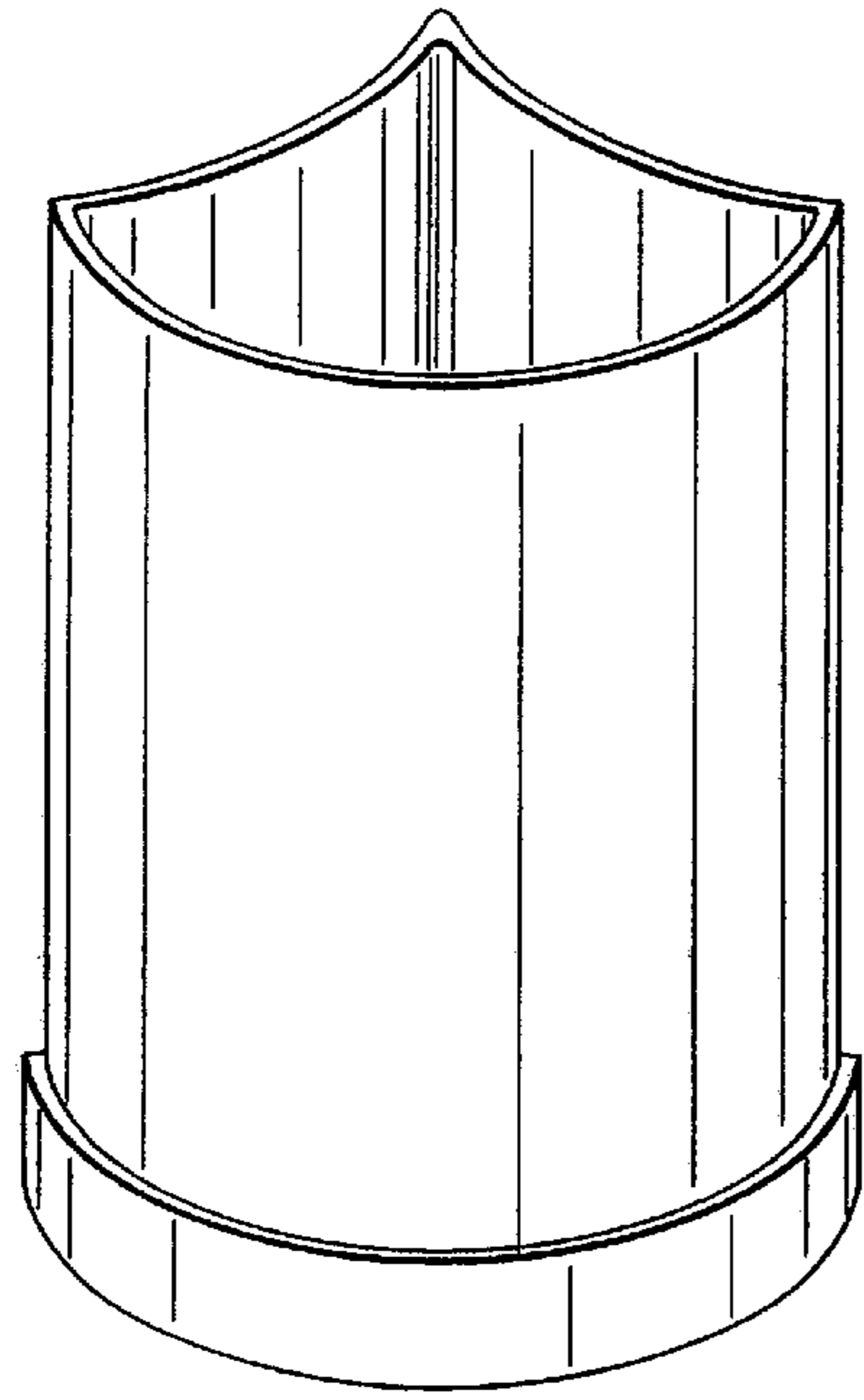


FIG. 12

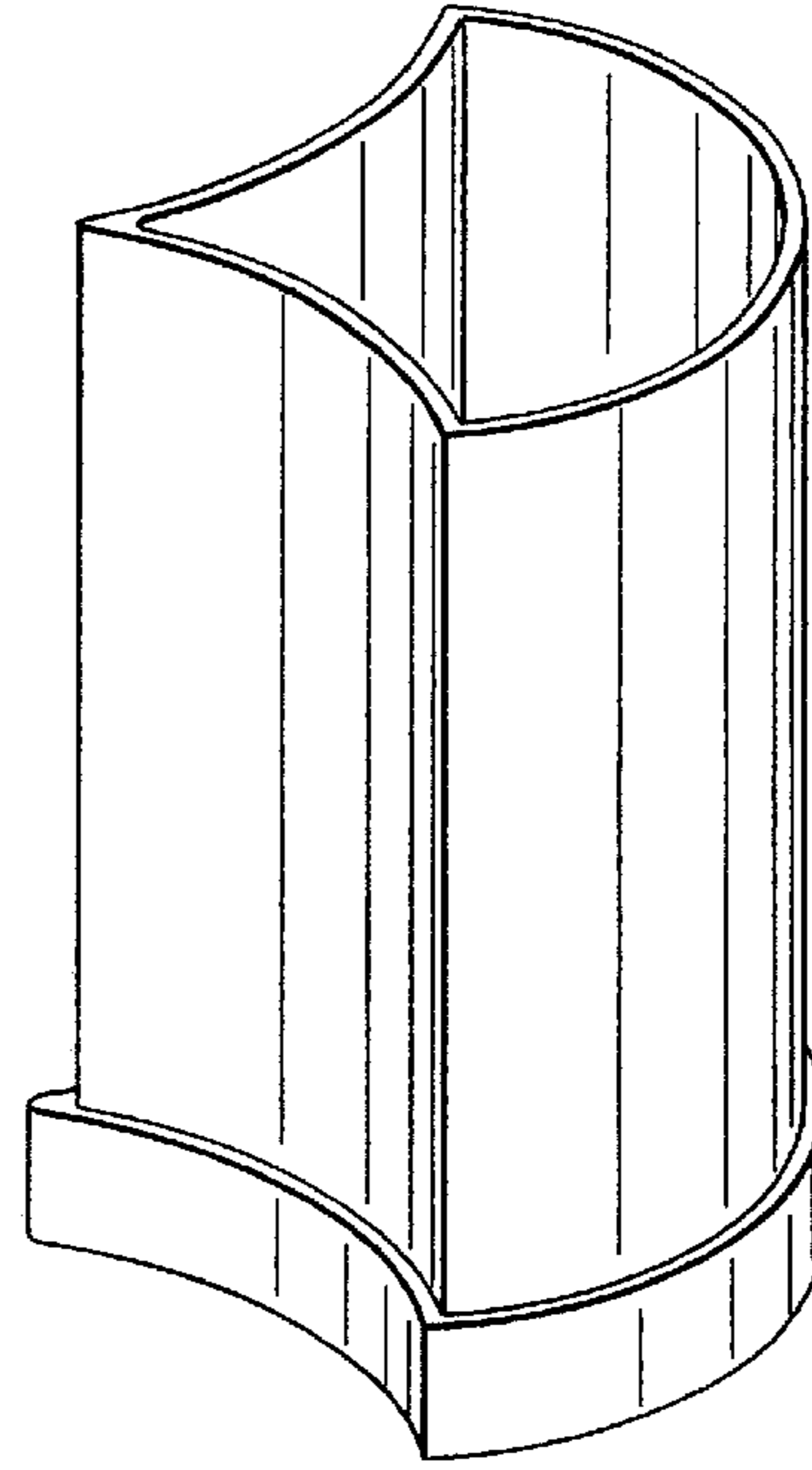


FIG. 13

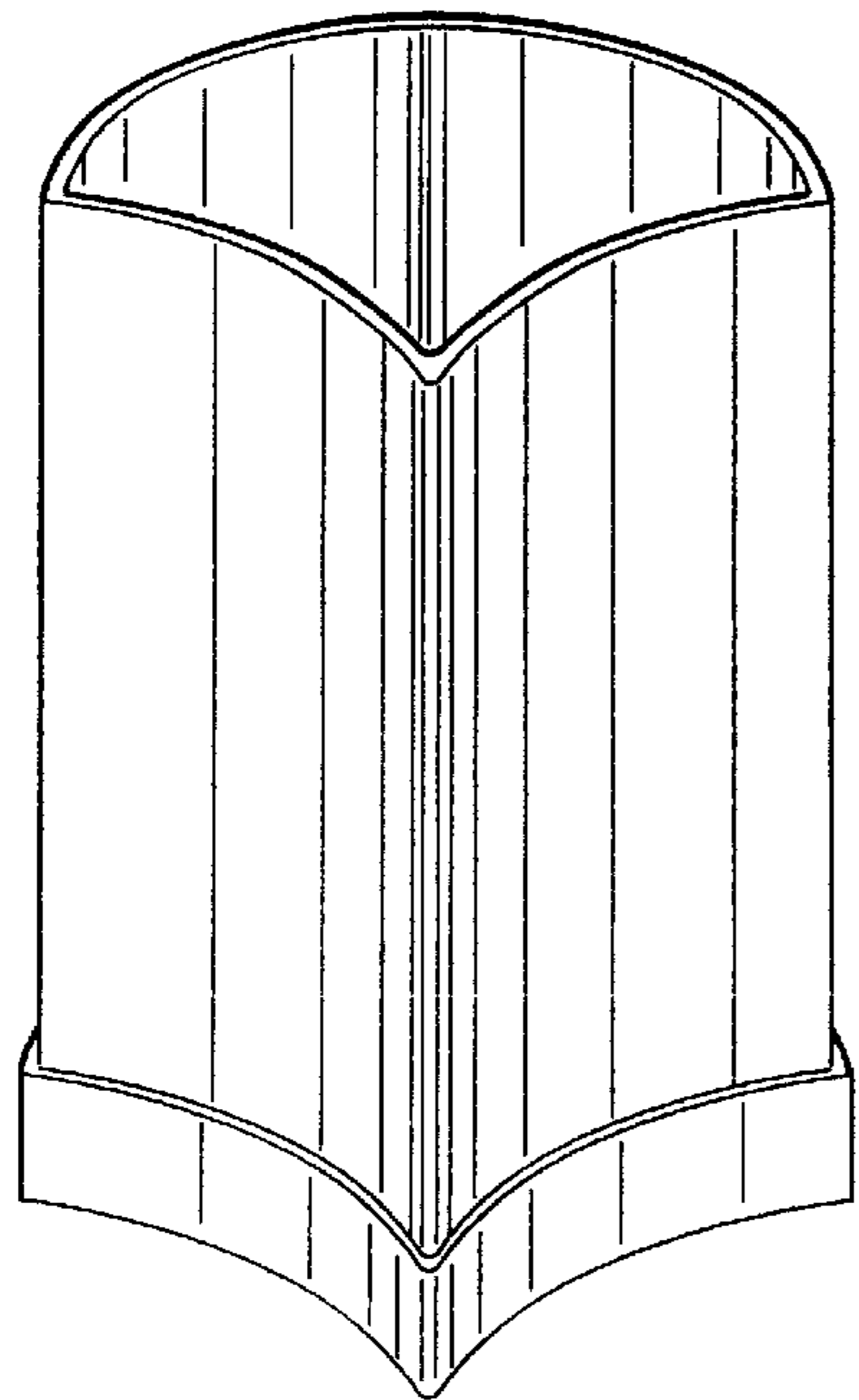


FIG. 14

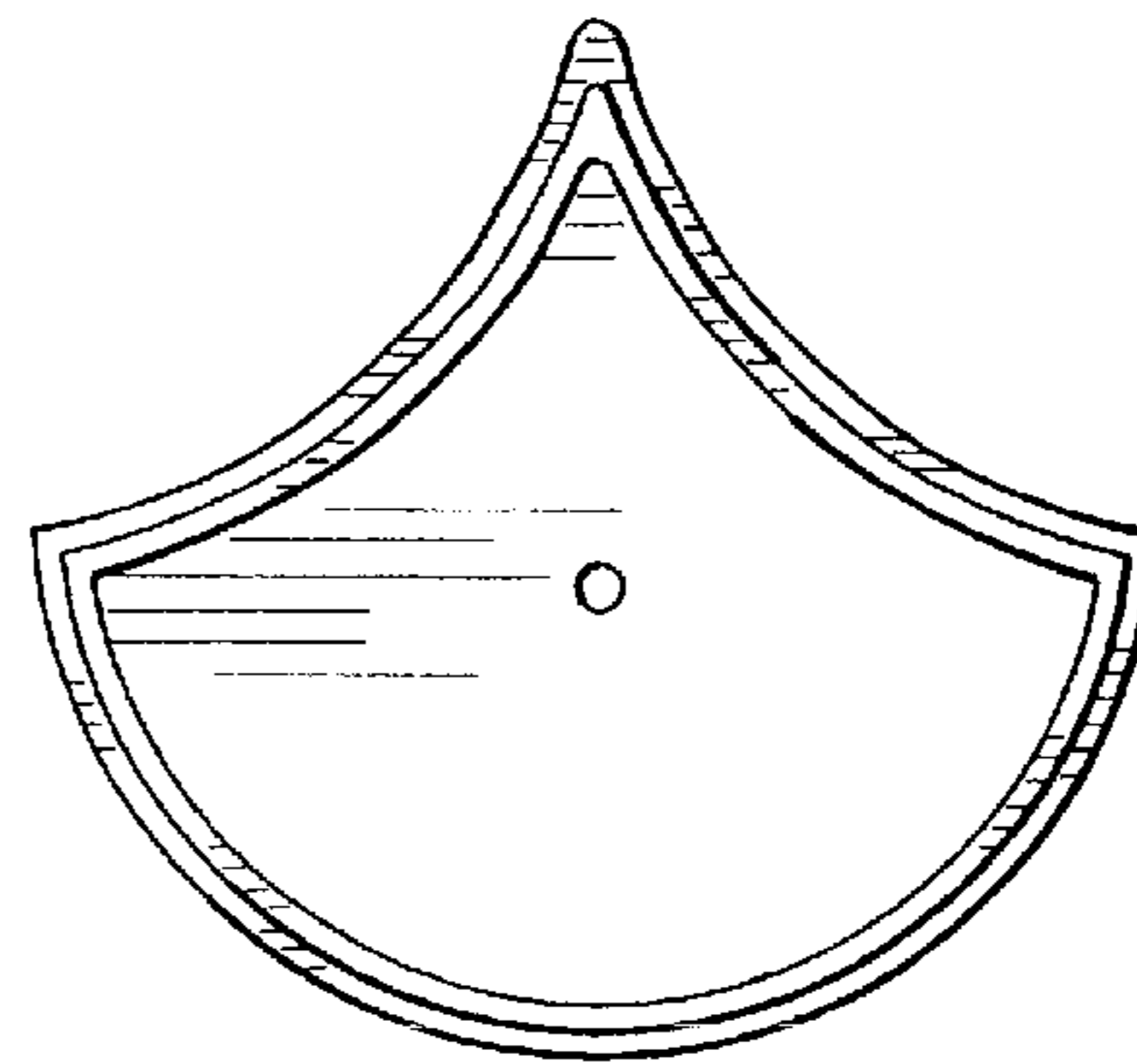


FIG. 15