

US00D525163S

(12) **United States Design Patent**
Balch

(10) **Patent No.:** **US D525,163 S**

(45) **Date of Patent:** **** Jul. 18, 2006**

(54) **CROSS PENDANT**

(76) **Inventor:** **Duane C. Balch**, 4335 Norwalk Cir.,
Mather, CA (US) 95655-3061

(**) **Term:** **14 Years**

(21) **Appl. No.:** **29/223,326**

(22) **Filed:** **Feb. 14, 2005**

(51) **LOC (8) Cl.** **11-03**

(52) **U.S. Cl.** **D11/86**

(58) **Field of Classification Search** D11/1-2,
D11/7, 40-44, 46-49, 53, 56-57, 59-61,
D11/63, 65, 79-83, 86-87, 89-90, 99, 91-92,
D11/101, 106, 114-116, 200-201; 63/1.11,
63/18-20; D3/207-211

See application file for complete search history.

(56) **References Cited**

U.S. PATENT DOCUMENTS

D115,252 S * 6/1939 Kemsley D11/96

2,246,122 A * 6/1941 Brennan 428/3
2,347,681 A * 5/1944 Goudreau 206/19
D334,725 S * 4/1993 White D11/96

* cited by examiner

Primary Examiner—Louis S. Zarfes
Assistant Examiner—Gregory Andoll

(57) **CLAIM**

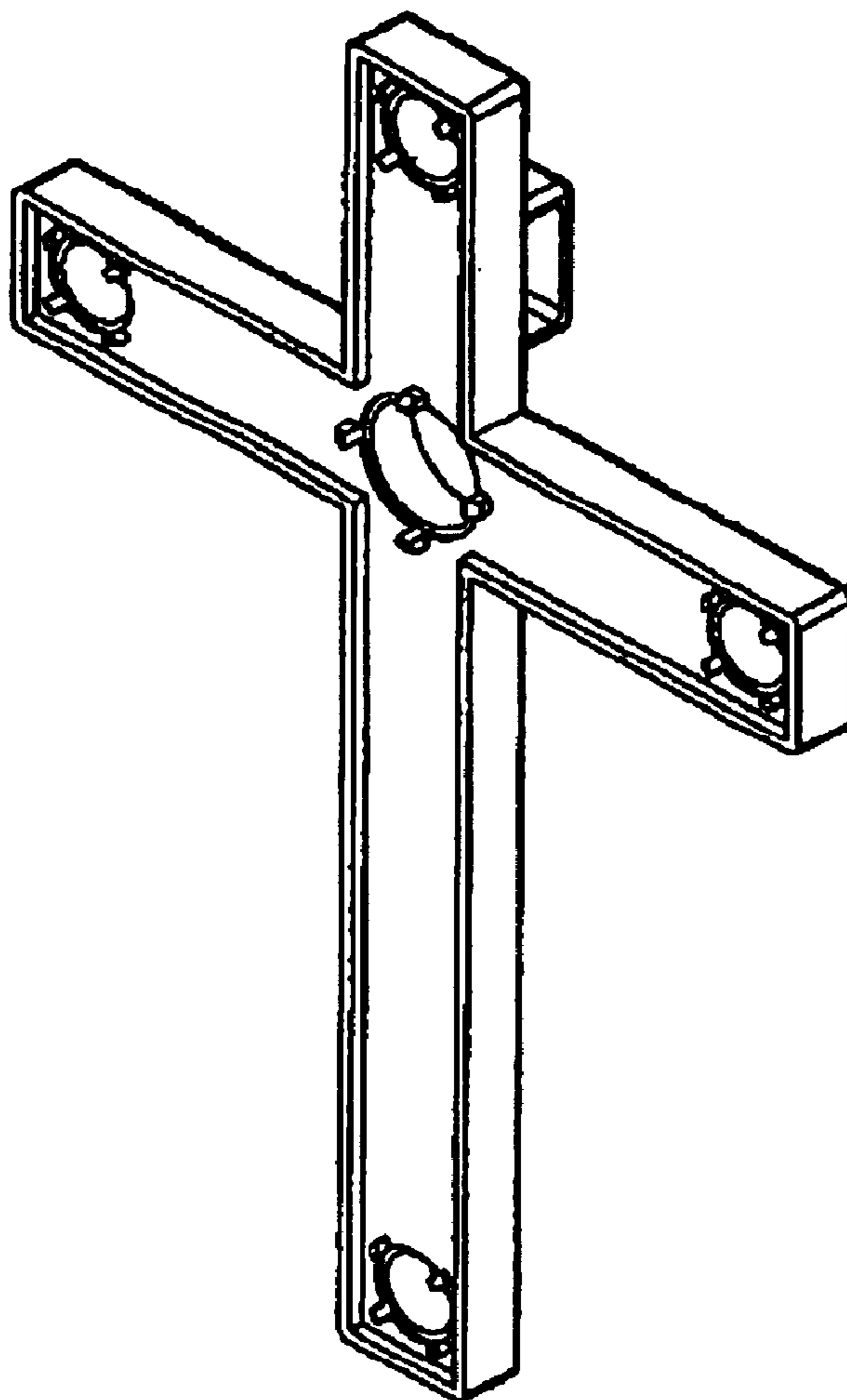
I claim the ornamental design for a cross pendant, as shown.

DESCRIPTION

FIG. 1 is a front perspective view of the cross pendant showing my new design; and,

FIG. 2 is a rear perspective view thereof.

1 Claim, 2 Drawing Sheets



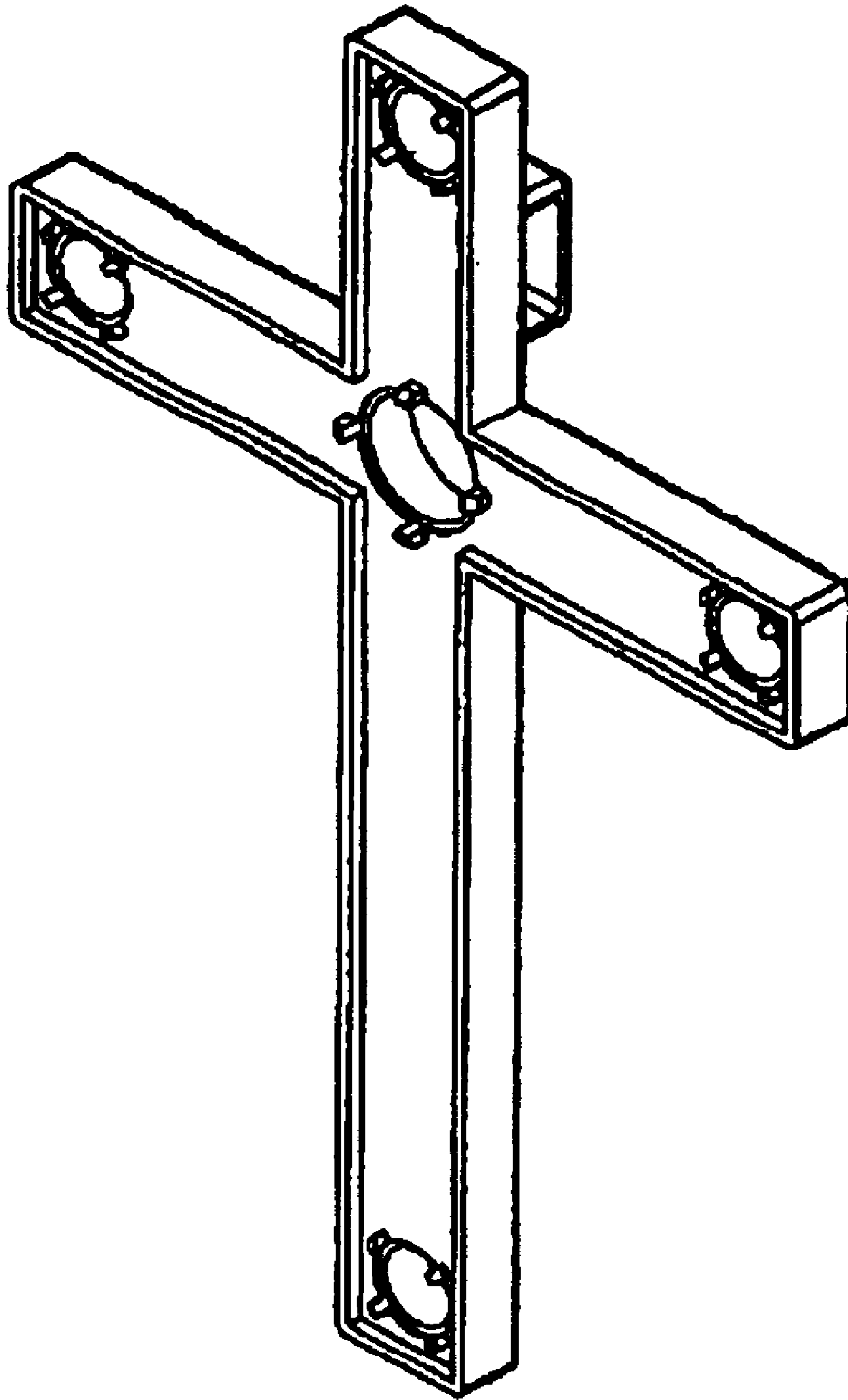


Fig. 1

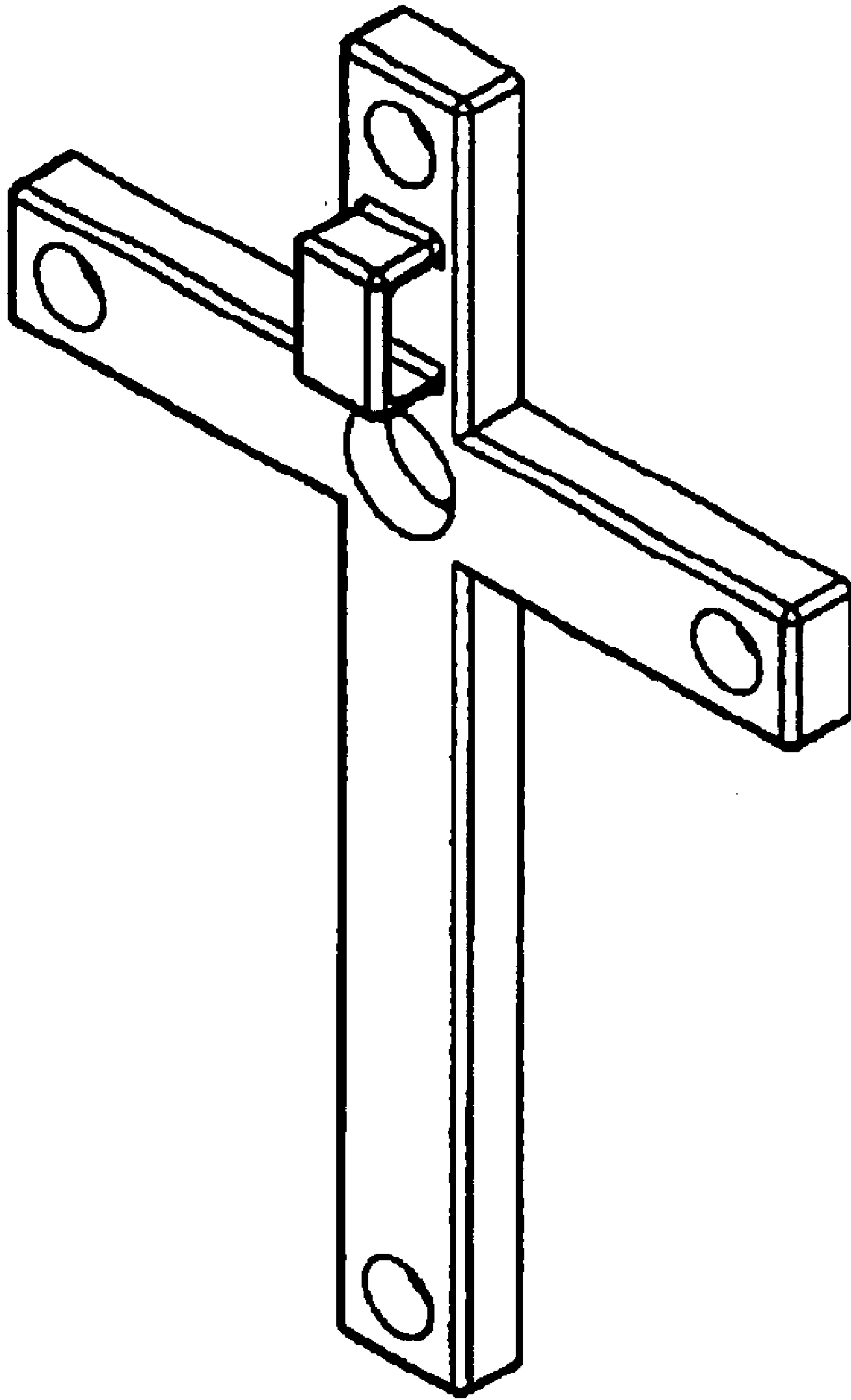


Fig. 2