

US00D525158S

(12) **United States Design Patent**
Stahl et al.

(10) **Patent No.:** **US D525,158 S**

(45) **Date of Patent:** **** Jul. 18, 2006**

(54) **KITCHEN SCALE**

D419,086 S * 1/2000 Schmid D10/91
D426,479 S * 6/2000 Gerlach et al. D10/91

(75) Inventors: **Albrecht Stahl**, Sulzbach/Murrhardt
(DE); **Daniel Dockner**, Stuttgart (DE)

* cited by examiner

(73) Assignee: **Soehnle-Waagen GmbH und Co. KG**,
Murrhardt (DE)

Primary Examiner—Antoine D. Davis
(74) *Attorney, Agent, or Firm*—Darby & Darby

(**) Term: **14 Years**

(57) **CLAIM**

(21) Appl. No.: **29/238,308**

The ornamental design for a kitchen scale, as shown and described.

(22) Filed: **Sep. 14, 2005**

DESCRIPTION

(30) **Foreign Application Priority Data**

Mar. 16, 2005 (DE) 405 01 517

FIG. 1 is a top, front, and left side perspective view of the kitchen scale, showing my new design;

(51) **LOC (8) Cl.** **10-04**

FIG. 2 is a right side view thereof, the left side view being the mirror image to the right side view;

(52) **U.S. Cl.** **D10/91**

(58) **Field of Classification Search** D10/91;
177/164, 256, 238-245
See application file for complete search history.

FIG. 3 is a back view thereof;

FIG. 4 is a front view thereof;

FIG. 5 is a top view thereof; and,

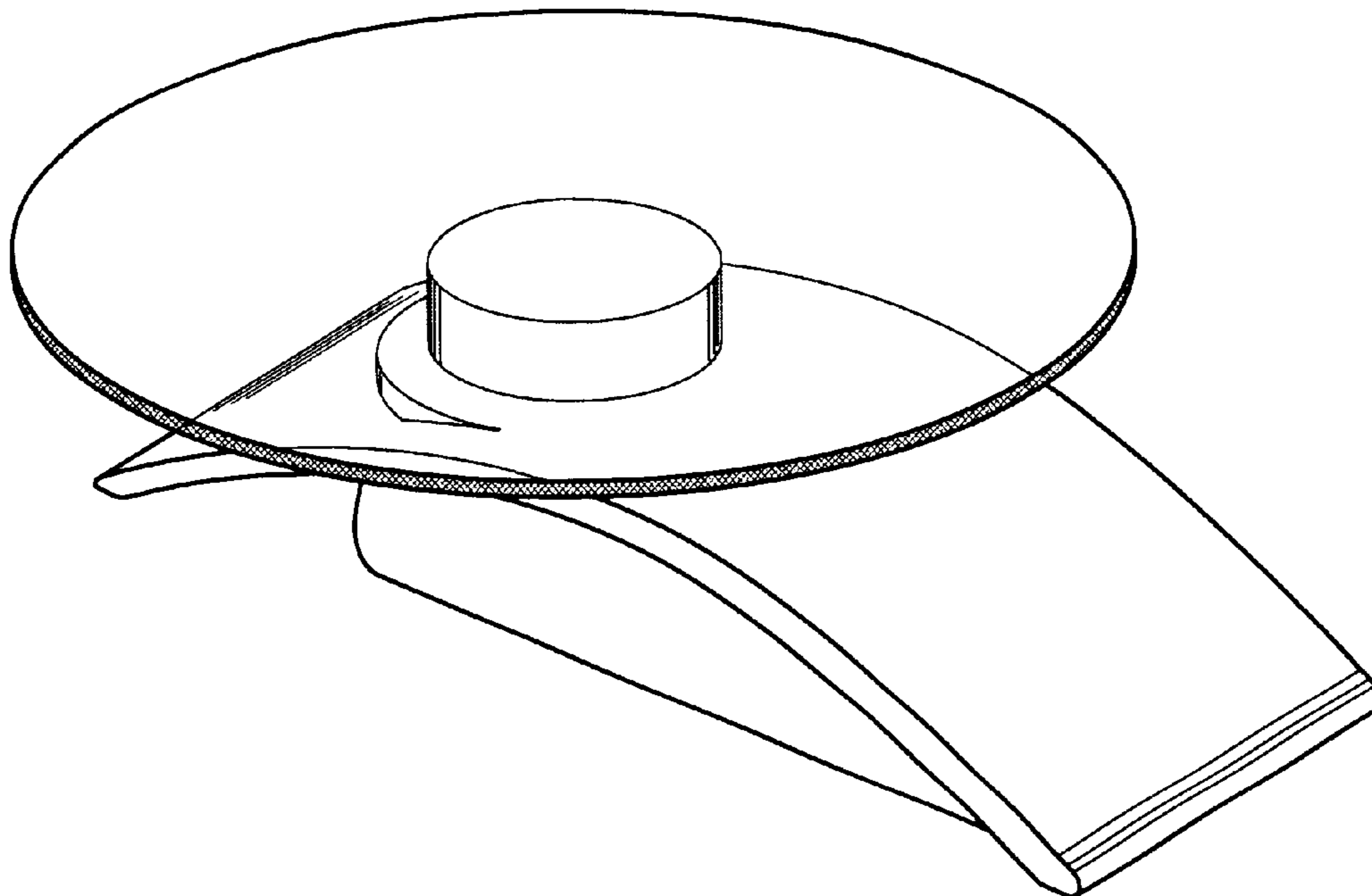
FIG. 6 is a bottom view thereof.

(56) **References Cited**

U.S. PATENT DOCUMENTS

D415,048 S * 10/1999 Fabian D10/91

1 Claim, 3 Drawing Sheets



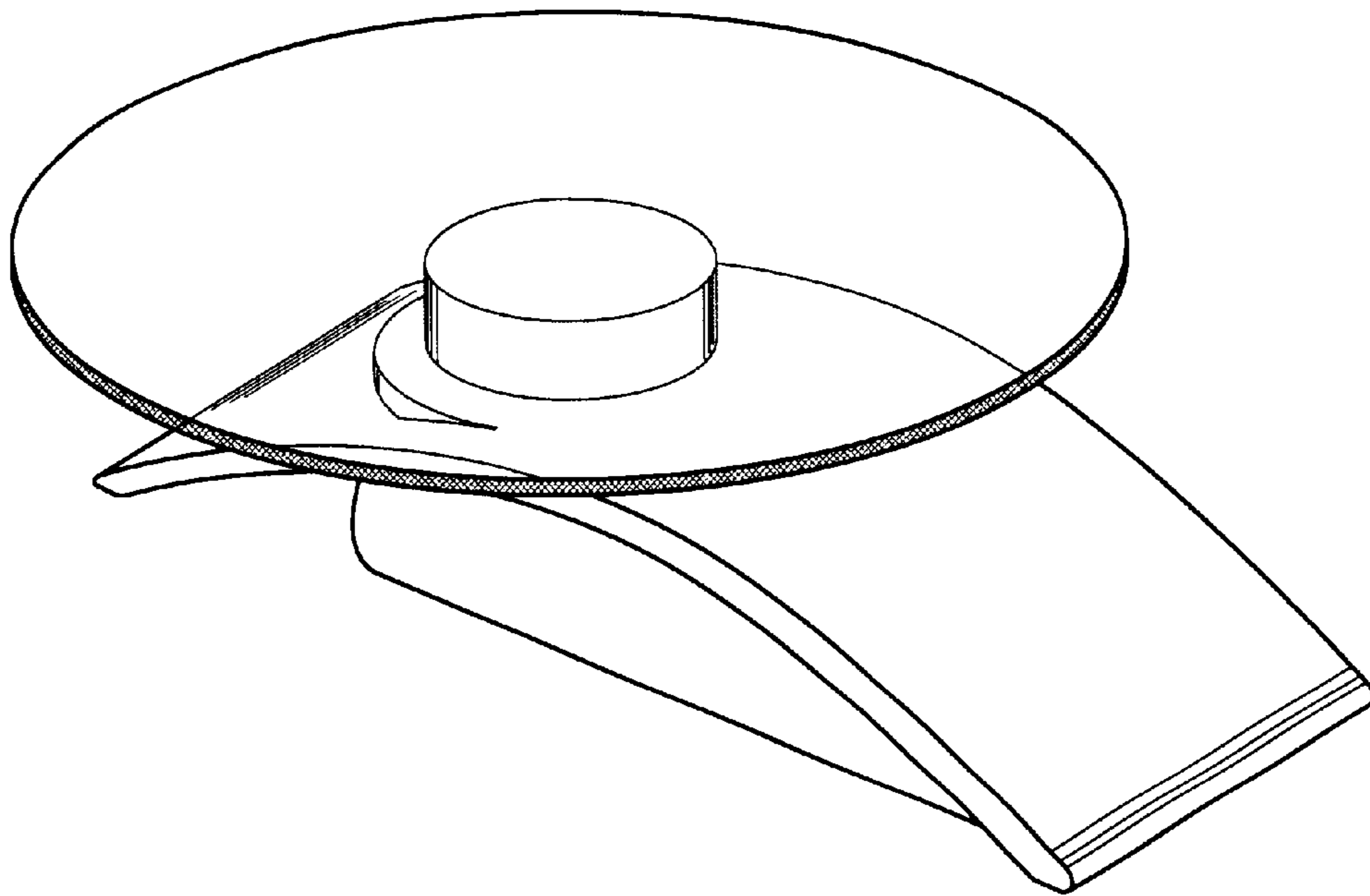


FIG. 1

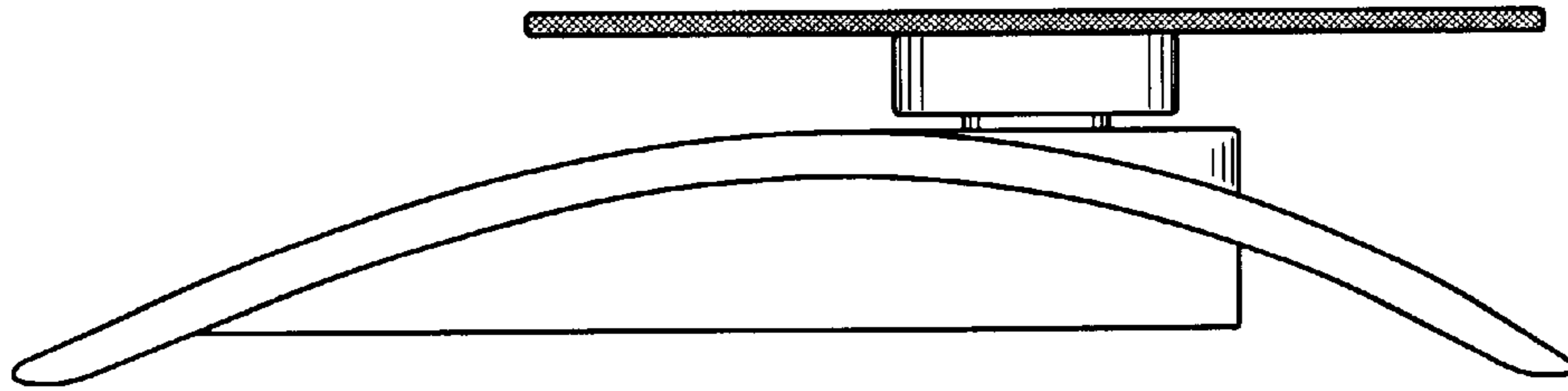


FIG. 2

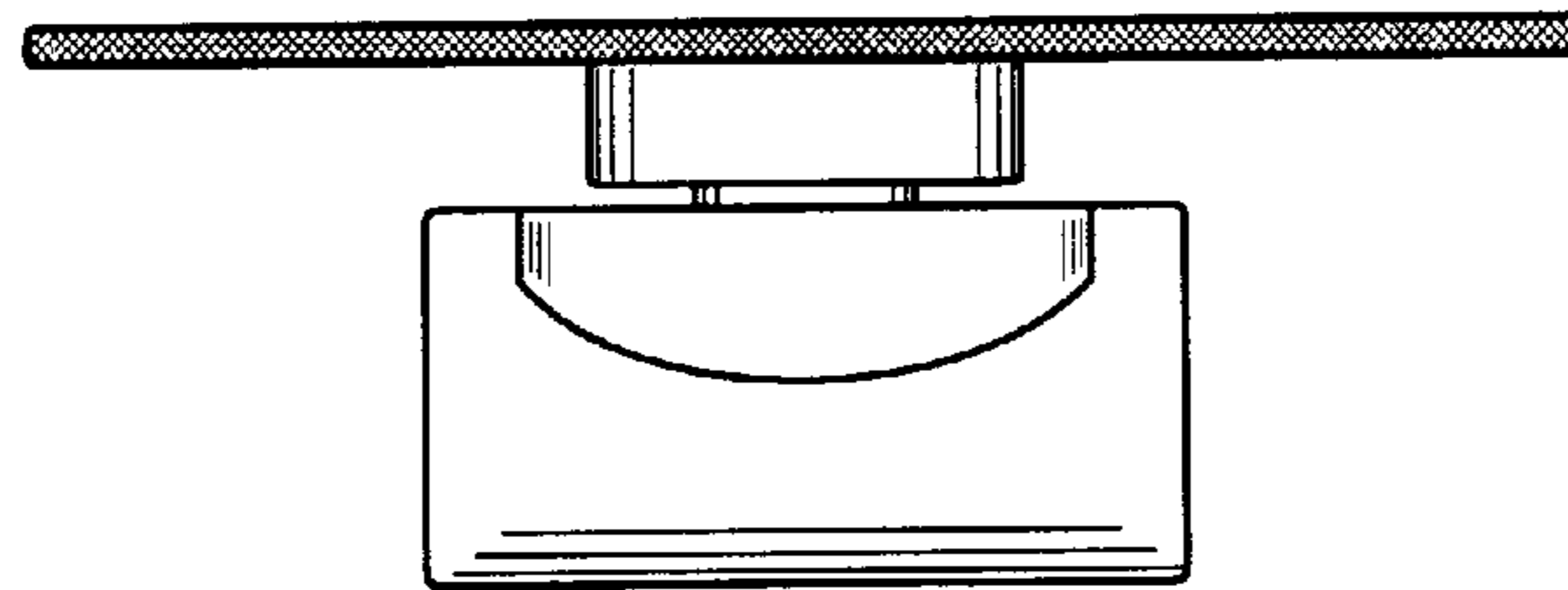


FIG. 3

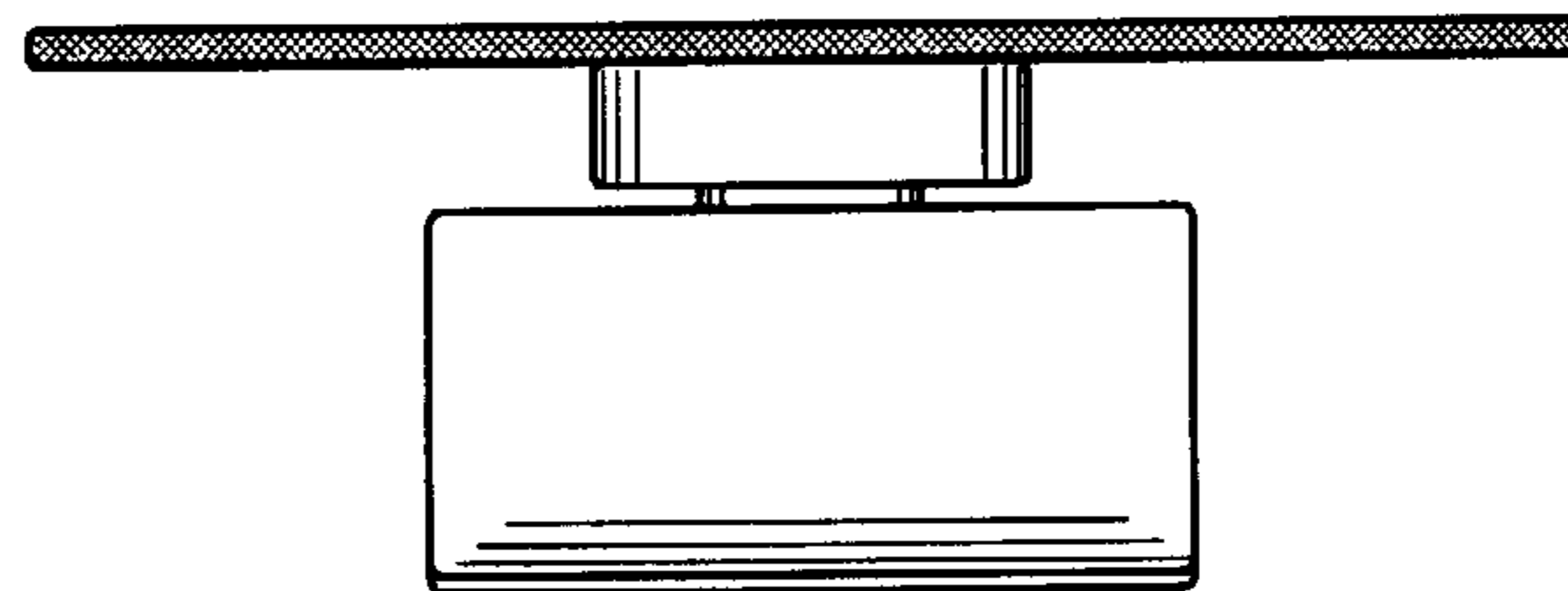


FIG. 4

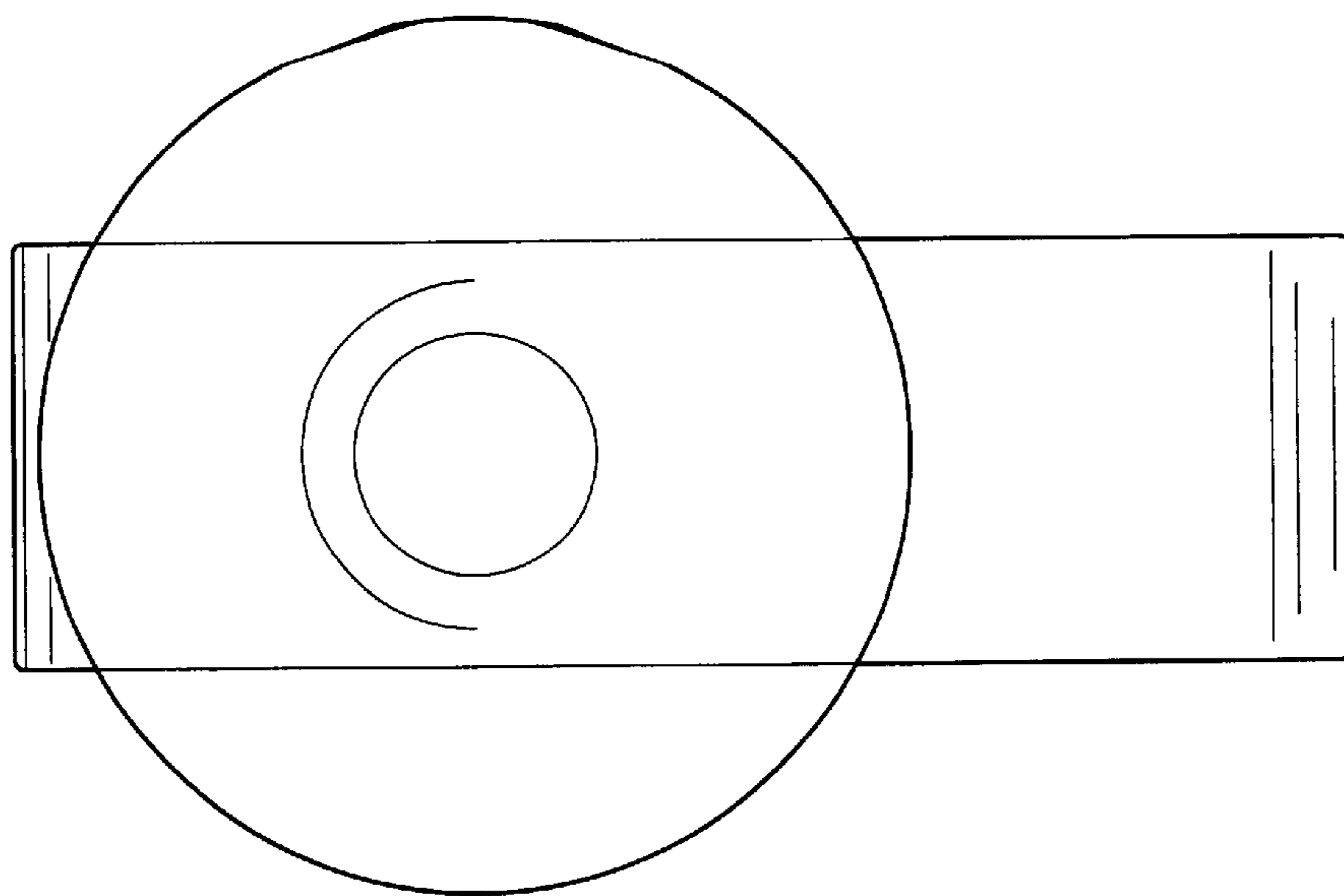


FIG. 5

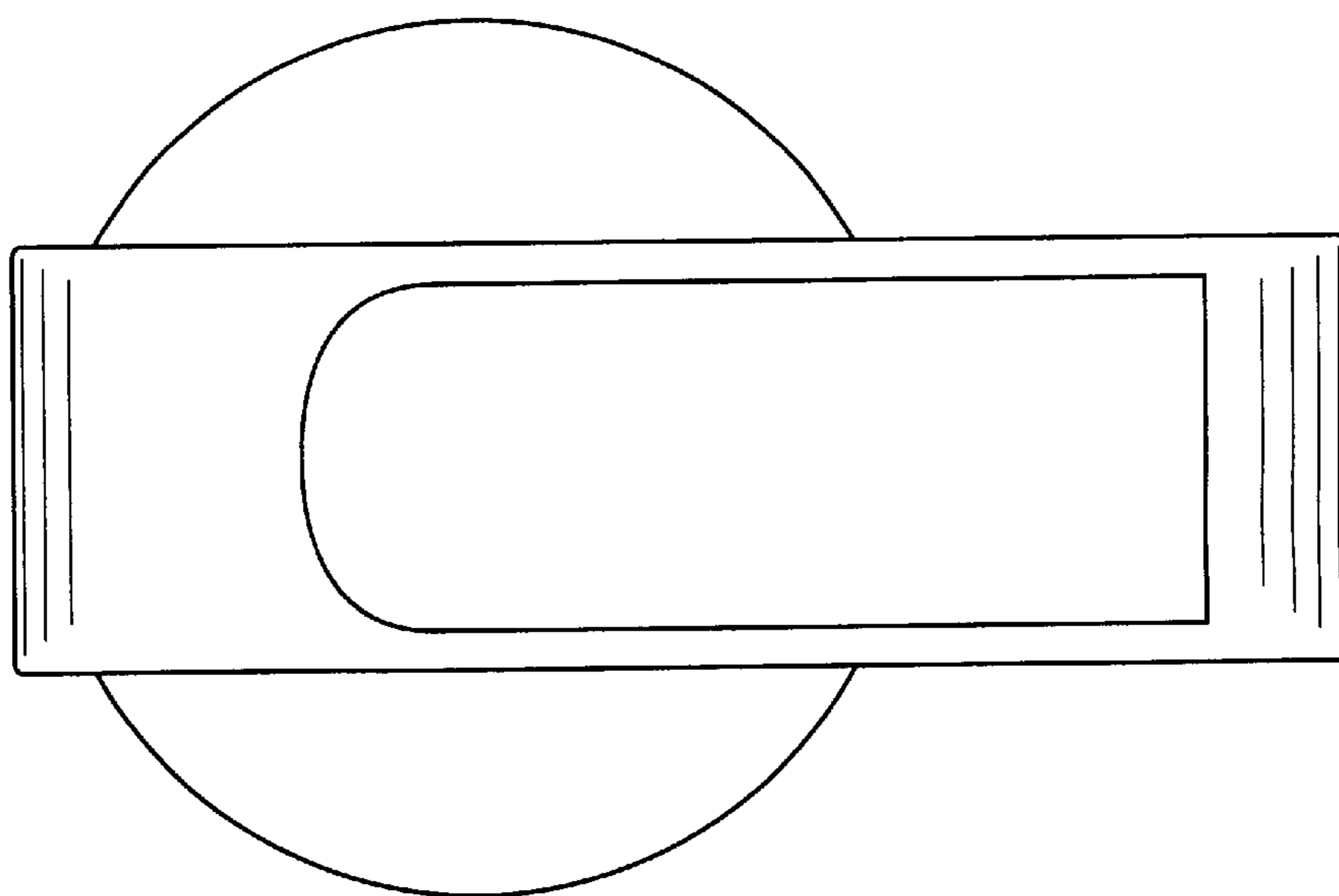


FIG. 6