



US00D525153S

(12) **United States Design Patent**
Wang

(10) **Patent No.:** **US D525,153 S**
(45) **Date of Patent:** **** Jul. 18, 2006**

(54) **APPARATUS FOR CONTROLLING THE HEATER OF AQUARIUM**

6,658,205 B1 * 12/2003 Wang 392/498

* cited by examiner

(75) Inventor: **Chiao-Ming Wang**, Taichung Hsien (TW)

Primary Examiner—Antoine D. Davis

(74) *Attorney, Agent, or Firm*—Troxell Law Office, PLLC

(73) Assignee: **Meiko Pet Corporation**, Taichung Hsien (TW)

(57) **CLAIM**

(**) Term: **14 Years**

The ornamental design for a apparatus for controlling the heater of aquarium, as shown and described.

(21) Appl. No.: **29/201,384**

DESCRIPTION

(22) Filed: **Mar. 16, 2004**

(51) **LOC (8) Cl.** **10-04**

(52) **U.S. Cl.** **D10/50**

(58) **Field of Classification Search** D10/49,
D10/50; 236/46 R, 47, 49.3, 51, 84, 94; 400/485;
392/498

See application file for complete search history.

FIG. 1 is a perspective view of apparatus for controlling the heater of aquarium showing my new design;

FIG. 2 is a front elevation view thereof;

FIG. 3 is a rear elevation view thereof;

FIG. 4 is a left side elevation view thereof;

FIG. 5 is a right side elevation view thereof;

FIG. 6 is a top plan view thereof; and,

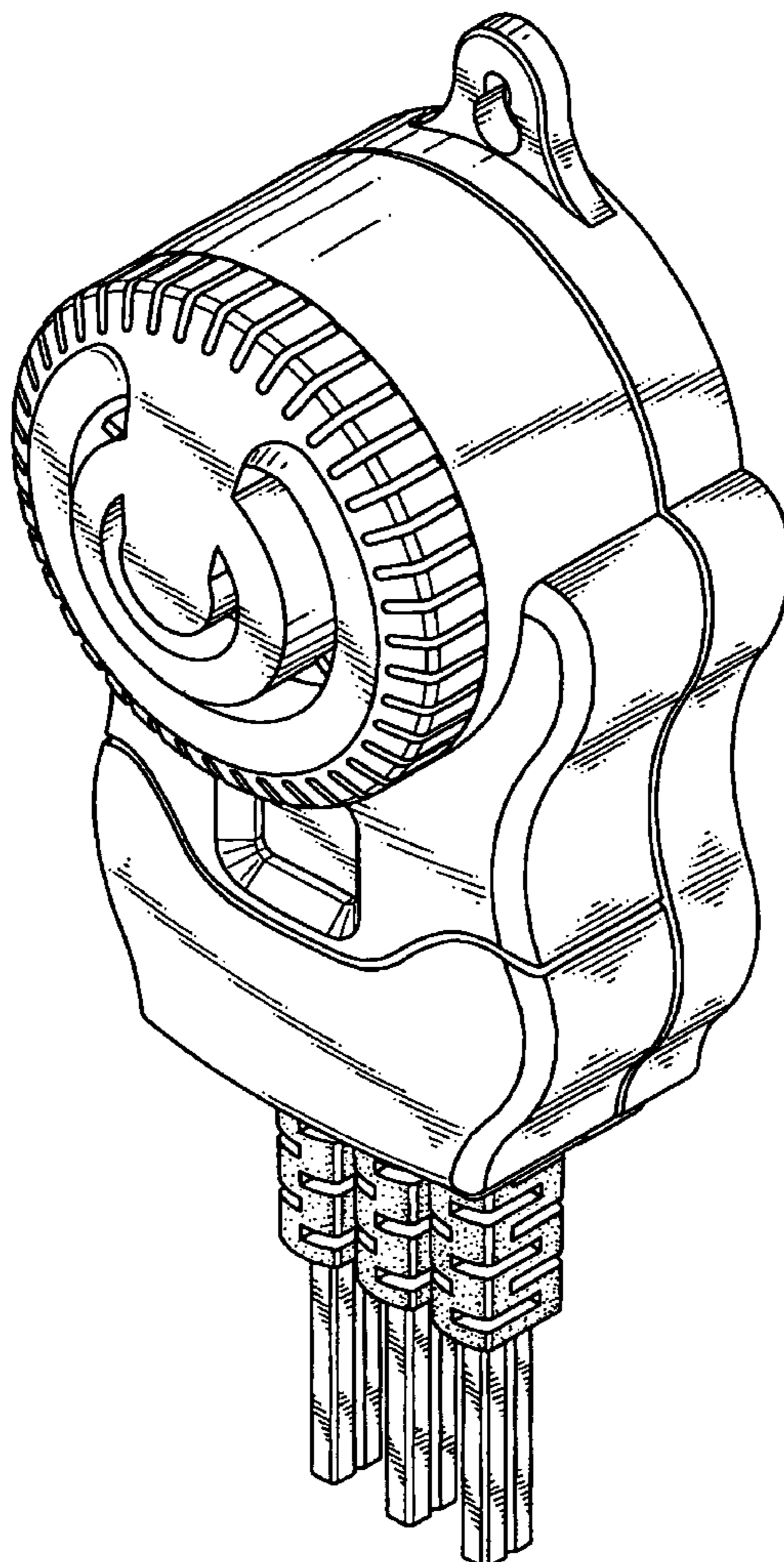
FIG. 7 is a bottom plan view thereof.

(56) **References Cited**

U.S. PATENT DOCUMENTS

D347,584 S * 6/1994 Vogelpohl D10/50

1 Claim, 6 Drawing Sheets



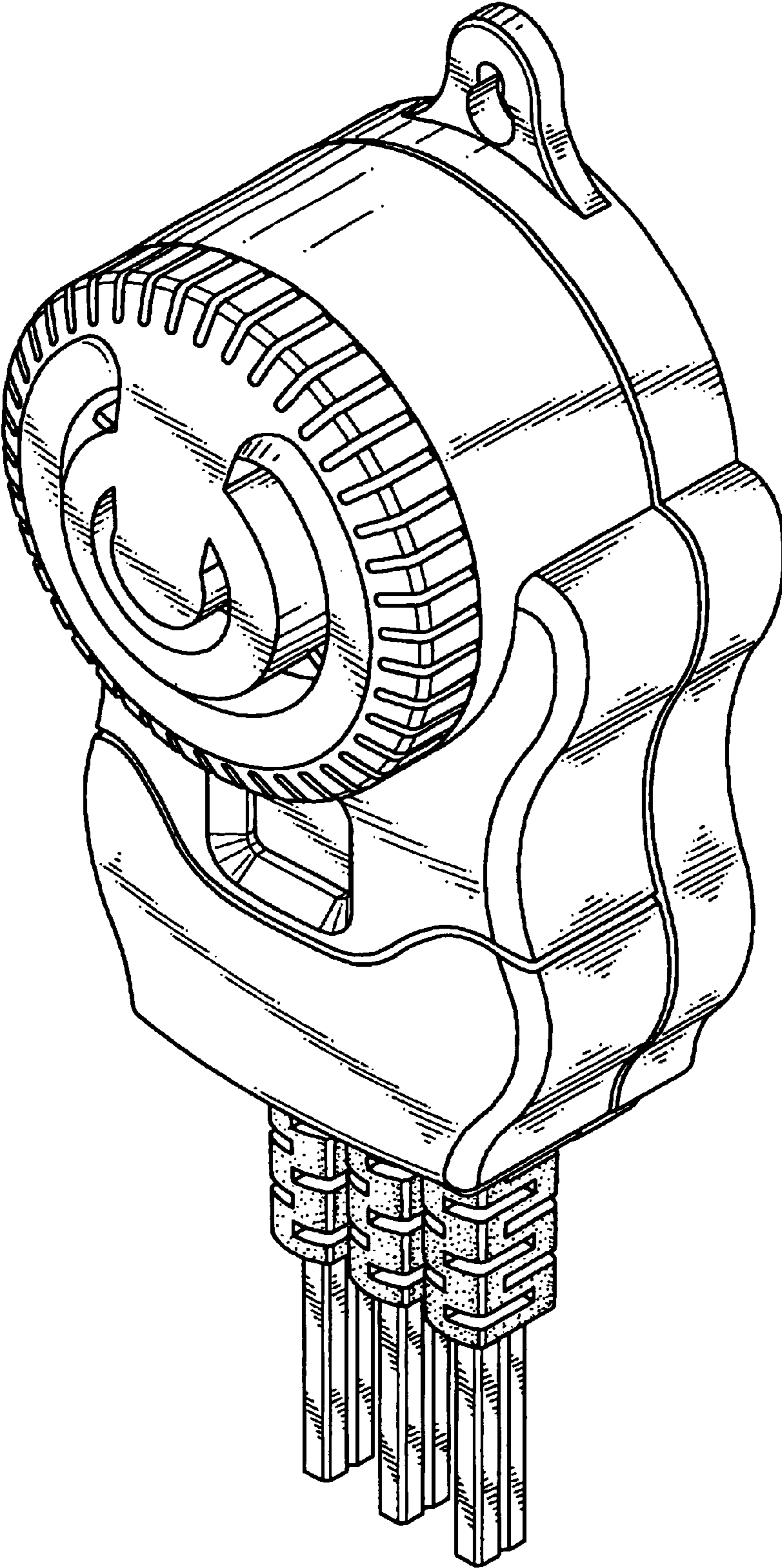


FIG. 1

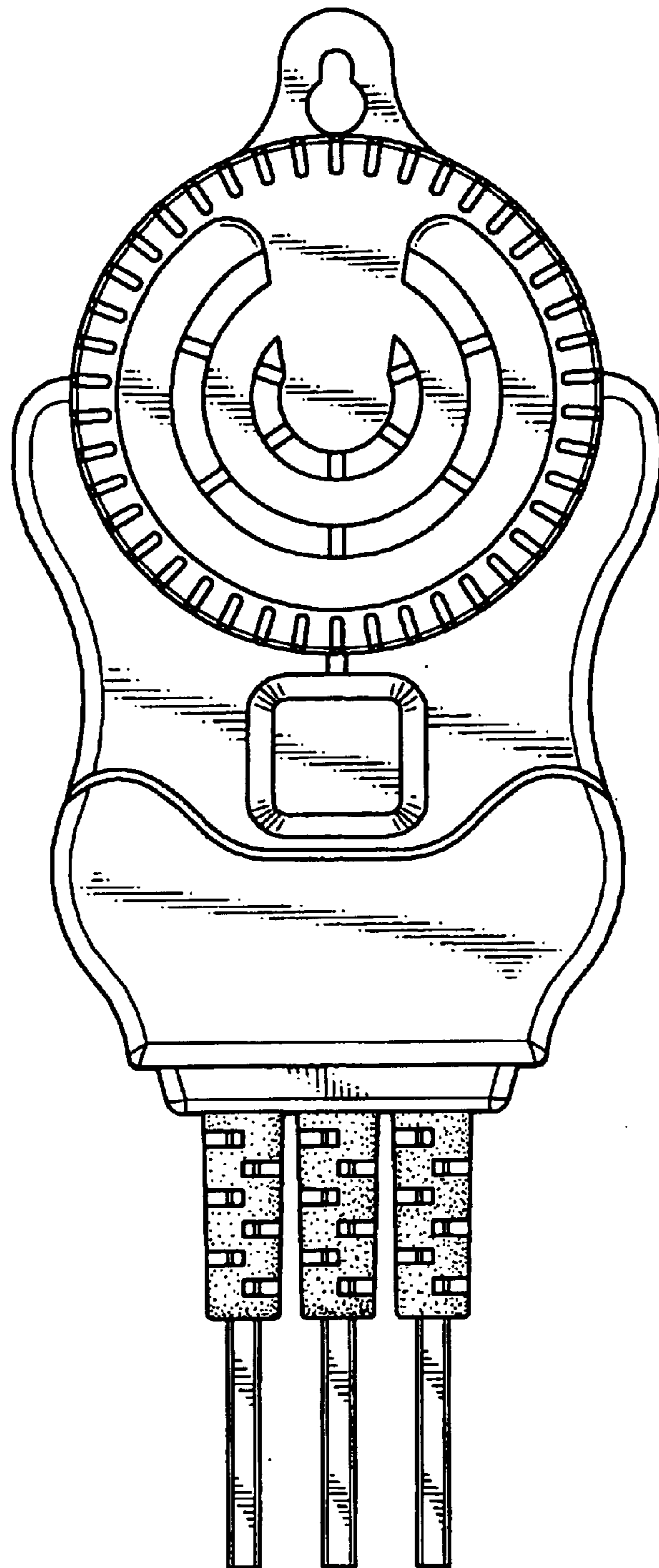


FIG. 2

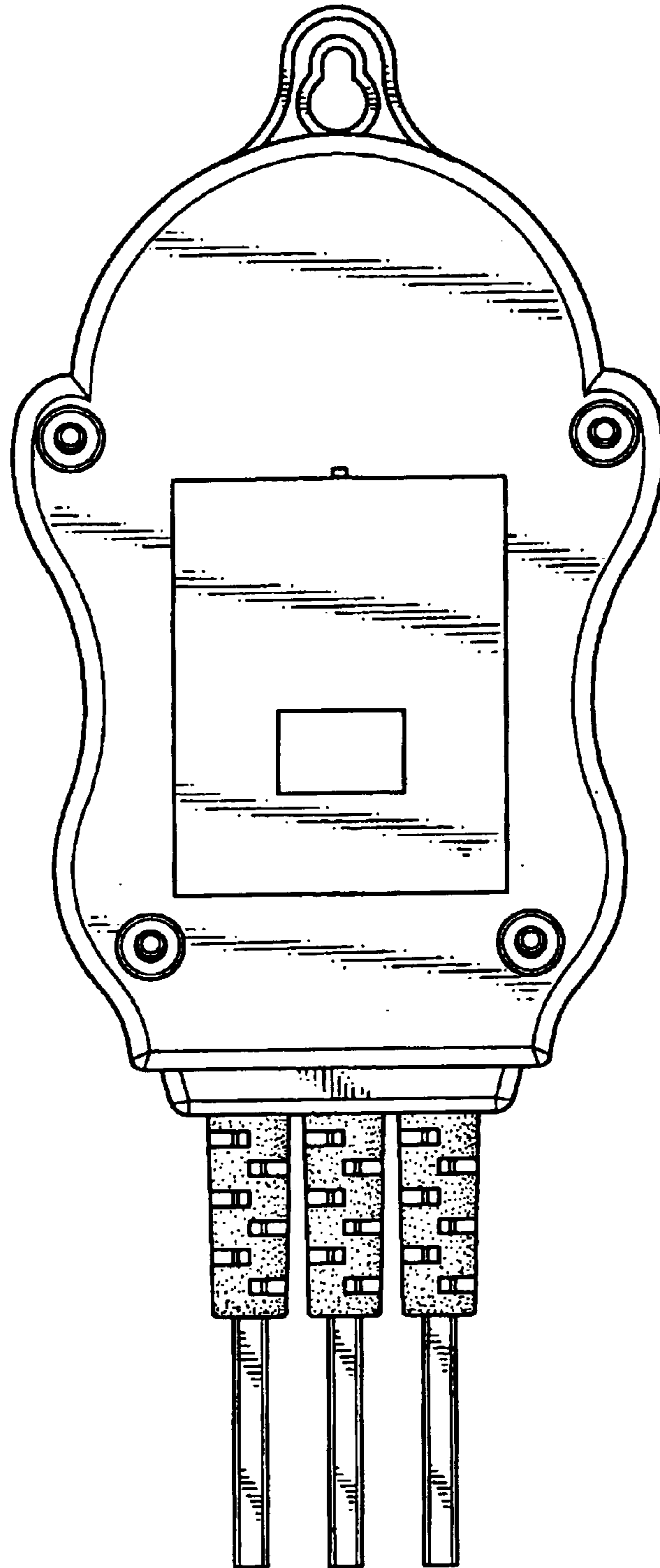


FIG. 3

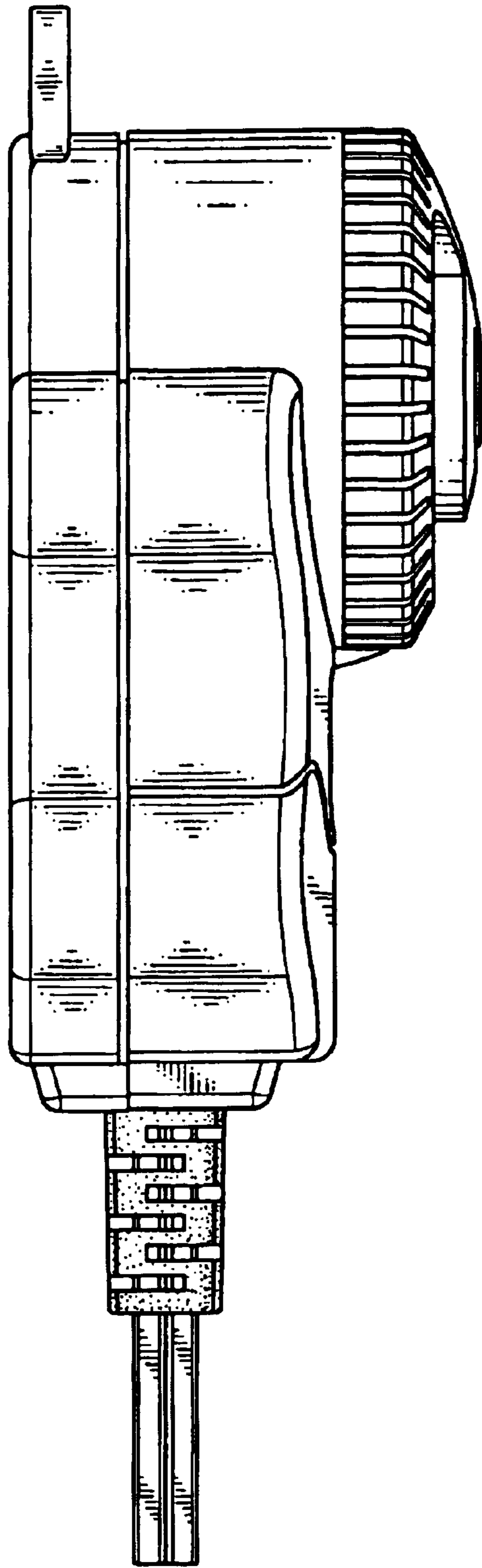


FIG. 4

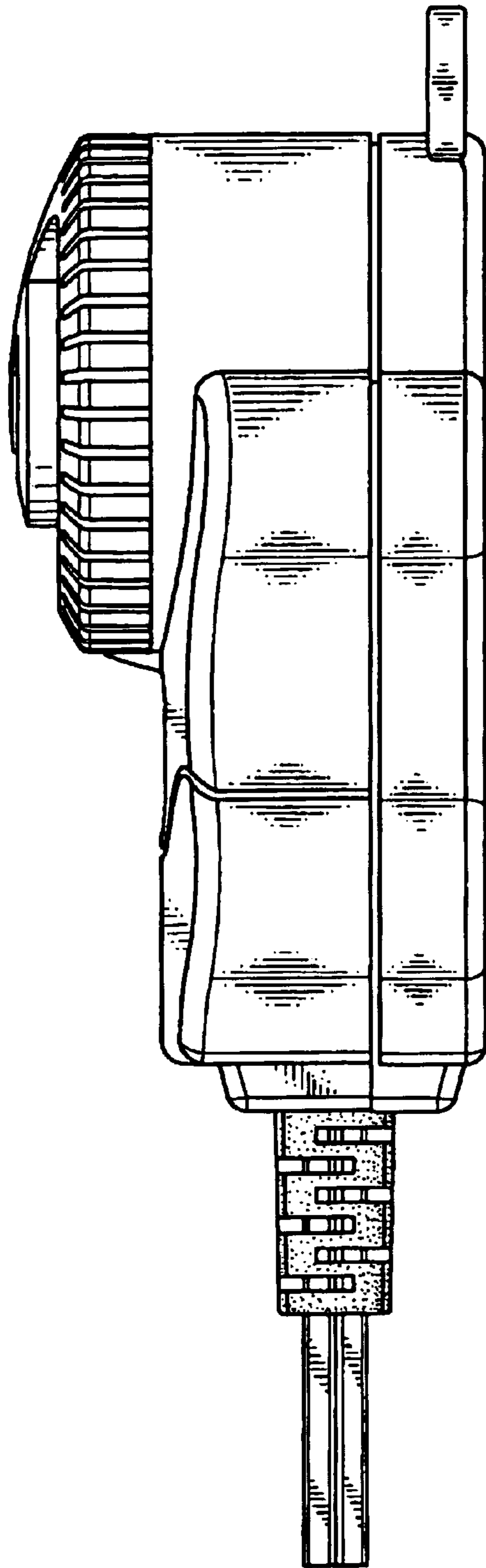


FIG. 5

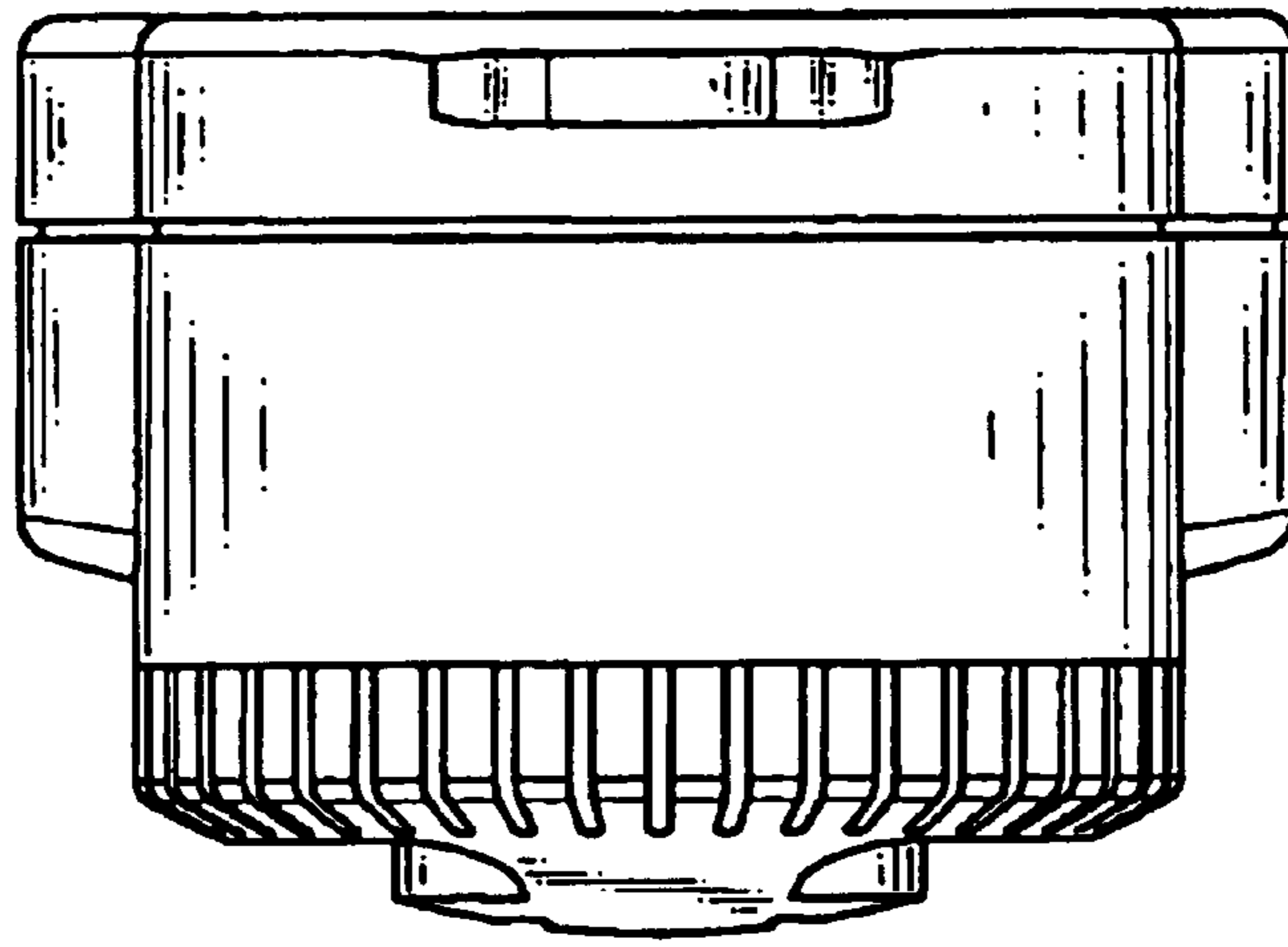


FIG. 6

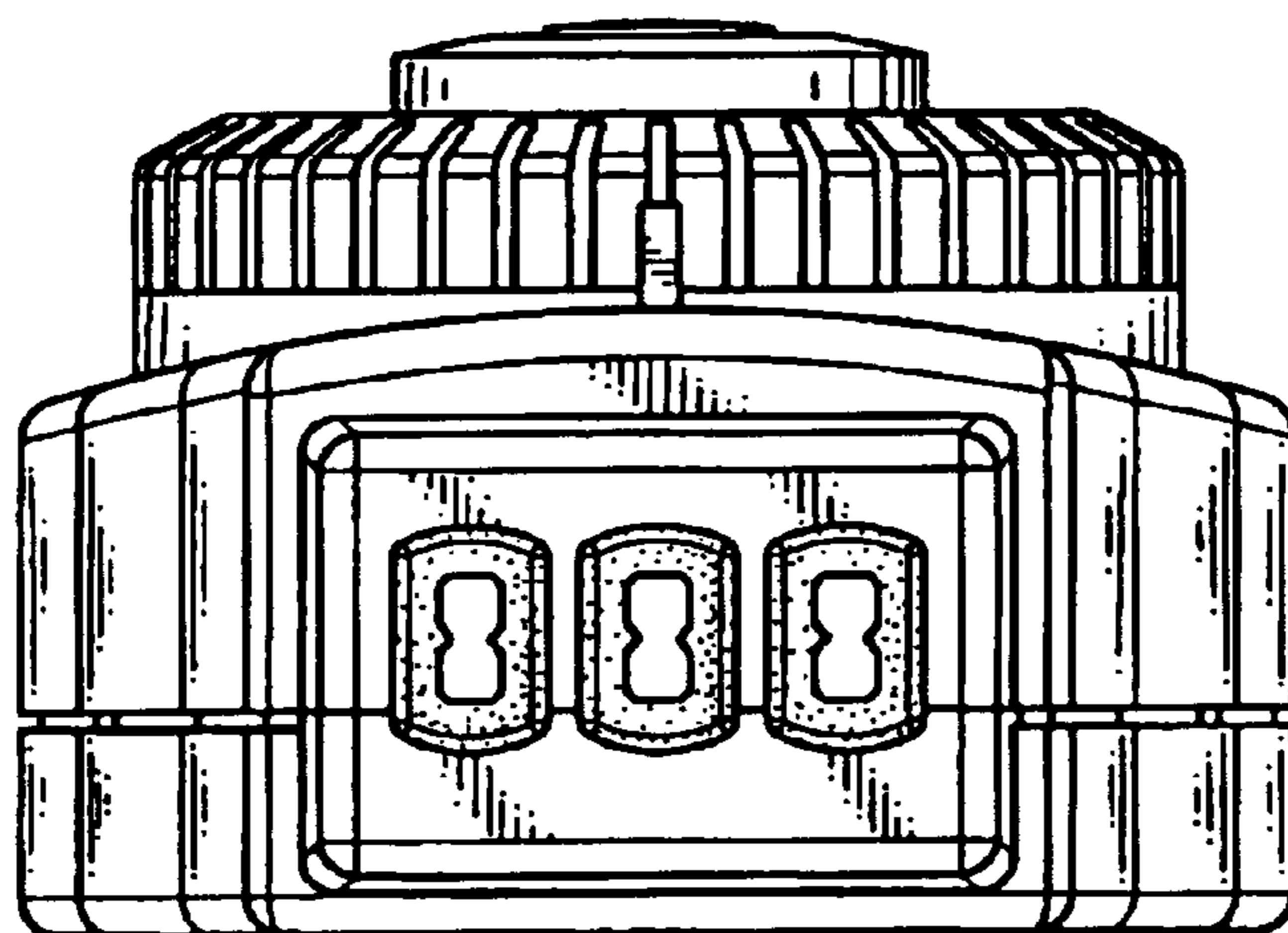


FIG. 7