



US00D525152S

(12) **United States Design Patent**
Smith

(10) **Patent No.:** **US D525,152 S**
(45) **Date of Patent:** **** Jul. 18, 2006**

(54) **TIME-CONTROLLED ELECTRICAL POWER
OUTLET**

(76) Inventor: **Billy J. Smith**, 100 Berry Cir.,
Haughton, LA (US) 71037

(**) Term: **14 Years**

(21) Appl. No.: **29/229,068**

(22) Filed: **May 4, 2005**

(51) **LOC (8) Cl.** **10-03**

(52) **U.S. Cl.** **D10/40**

(58) **Field of Classification Search** D10/40;
D13/137.1-137.4, 138.1-138.2, 139.1, 139.4,
D13/139.6-139.8; 307/141, 141.4; 368/10,
368/316-7, 107-121, 276-8, 285; 200/38 R,
200/38 D, 38 DA, 38 F; 439/650-653
See application file for complete search history.

(56) **References Cited**

U.S. PATENT DOCUMENTS

- D216,017 S * 11/1969 Podall D10/40
- 3,889,132 A * 6/1975 Vreeland 307/141
- 3,925,629 A * 12/1975 Albinger, Jr. 200/38 R
- D268,753 S * 4/1983 Fenne D13/137.3
- D296,878 S 7/1988 Rakocy
- D320,568 S * 10/1991 Black D10/40
- D325,370 S * 4/1992 Belcher D13/137.3

- D335,485 S * 5/1993 McPate D13/137.3
- 5,258,656 A 11/1993 Pawlick
- 5,629,684 A 5/1997 Isshiki et al.
- D380,396 S 7/1997 Svarnias et al.
- D389,753 S * 1/1998 Wan D10/40
- D390,826 S * 2/1998 Bates D13/139.1
- D402,902 S 12/1998 Chen
- D402,903 S 12/1998 Chen
- 6,095,850 A * 8/2000 Liu 439/488
- D462,661 S * 9/2002 Owens D13/139.6

* cited by examiner

Primary Examiner—Lucy Lieberman

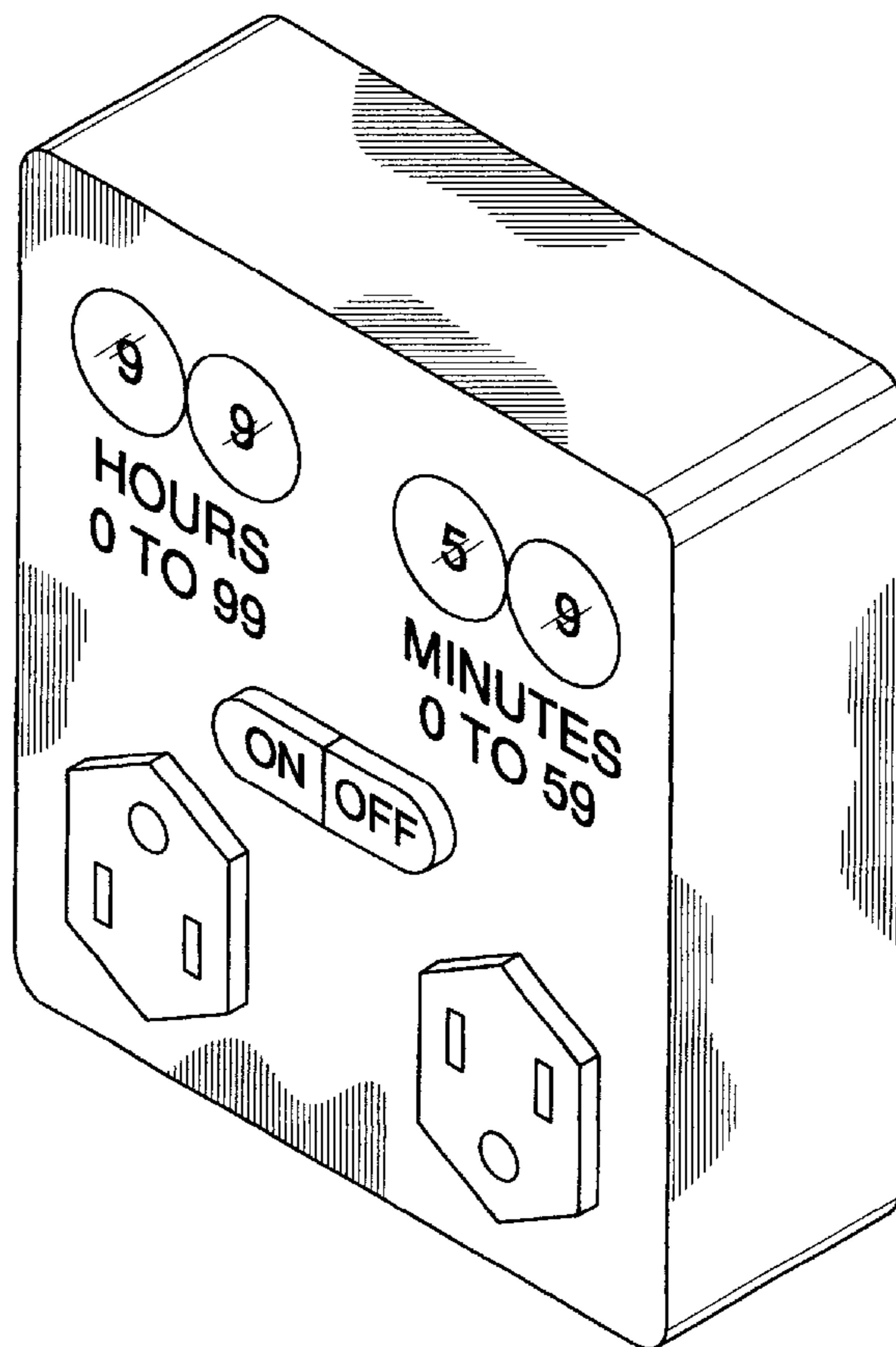
(57) **CLAIM**

The ornamental design for a time-controlled electrical power outlet, as shown and described.

DESCRIPTION

FIG. 1 is a front elevational view of a time-controlled electrical power outlet showing my new design; FIG. 2 is a rear elevational view thereof; FIG. 3 is a left side elevation thereof; FIG. 4 is a right side elevation thereof; FIG. 5 is a top plan view thereof; FIG. 6 is a bottom plan view thereof; and, FIG. 7 is a perspective view thereof.

1 Claim, 4 Drawing Sheets



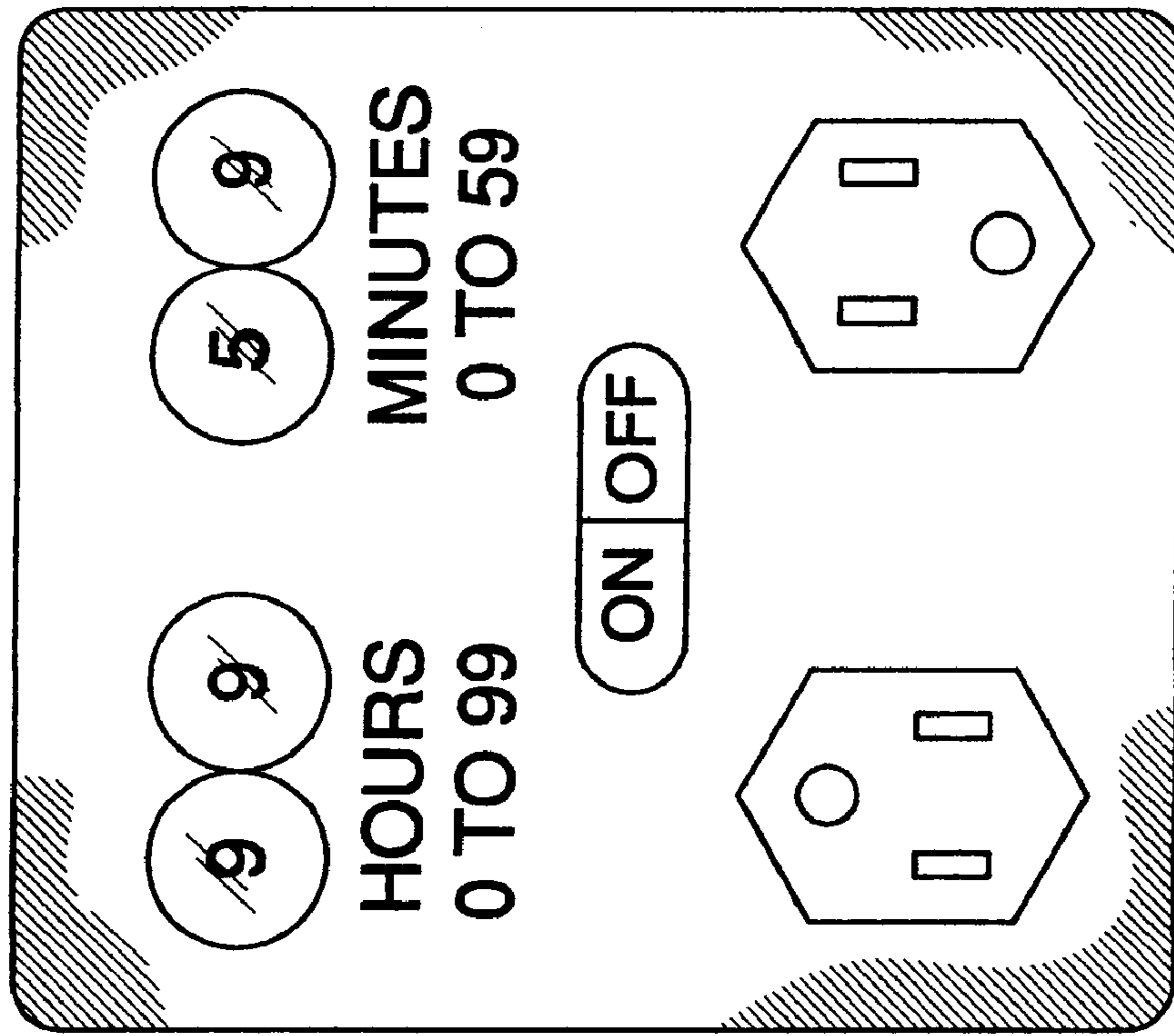


FIG.1

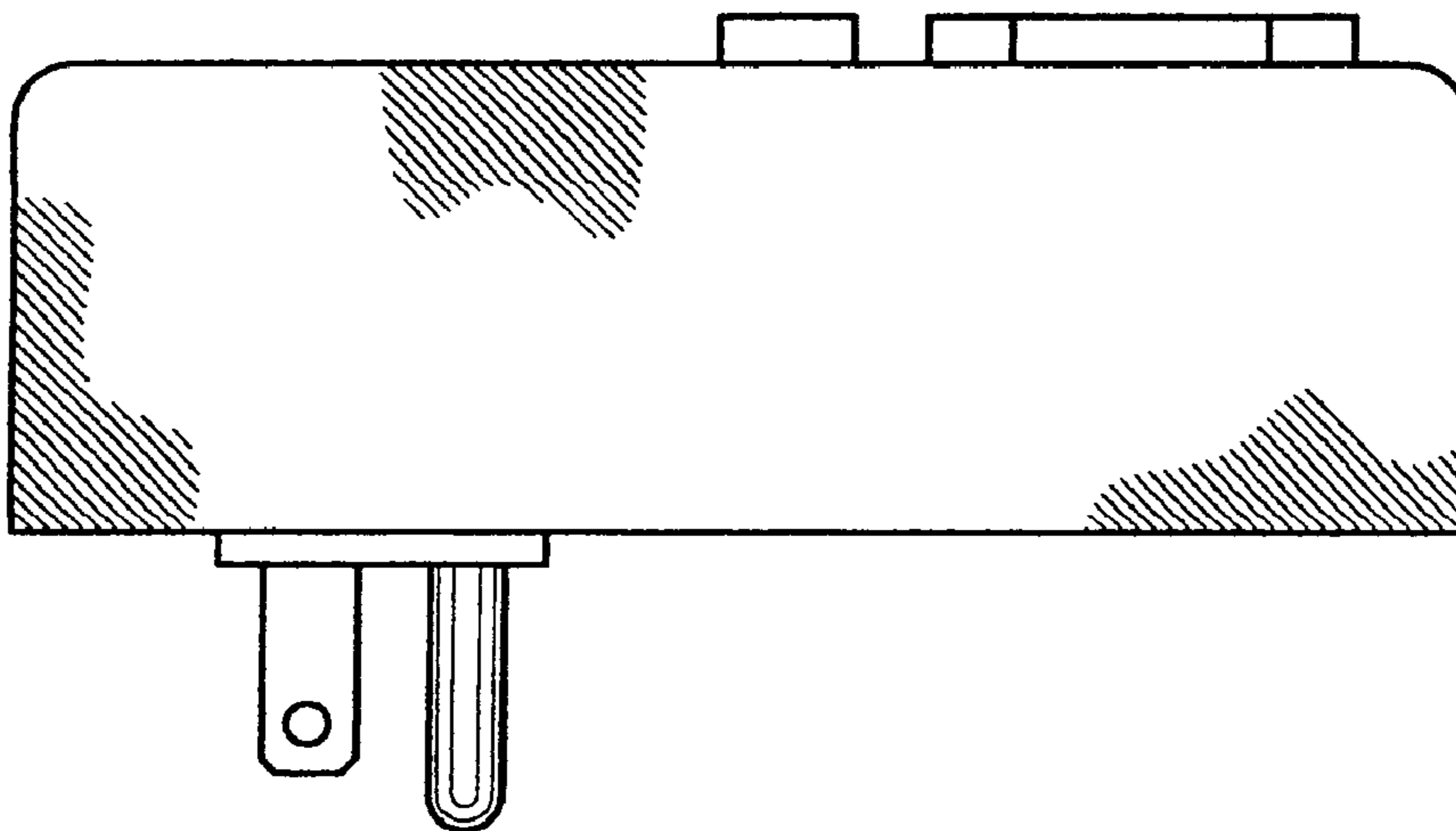


FIG.3

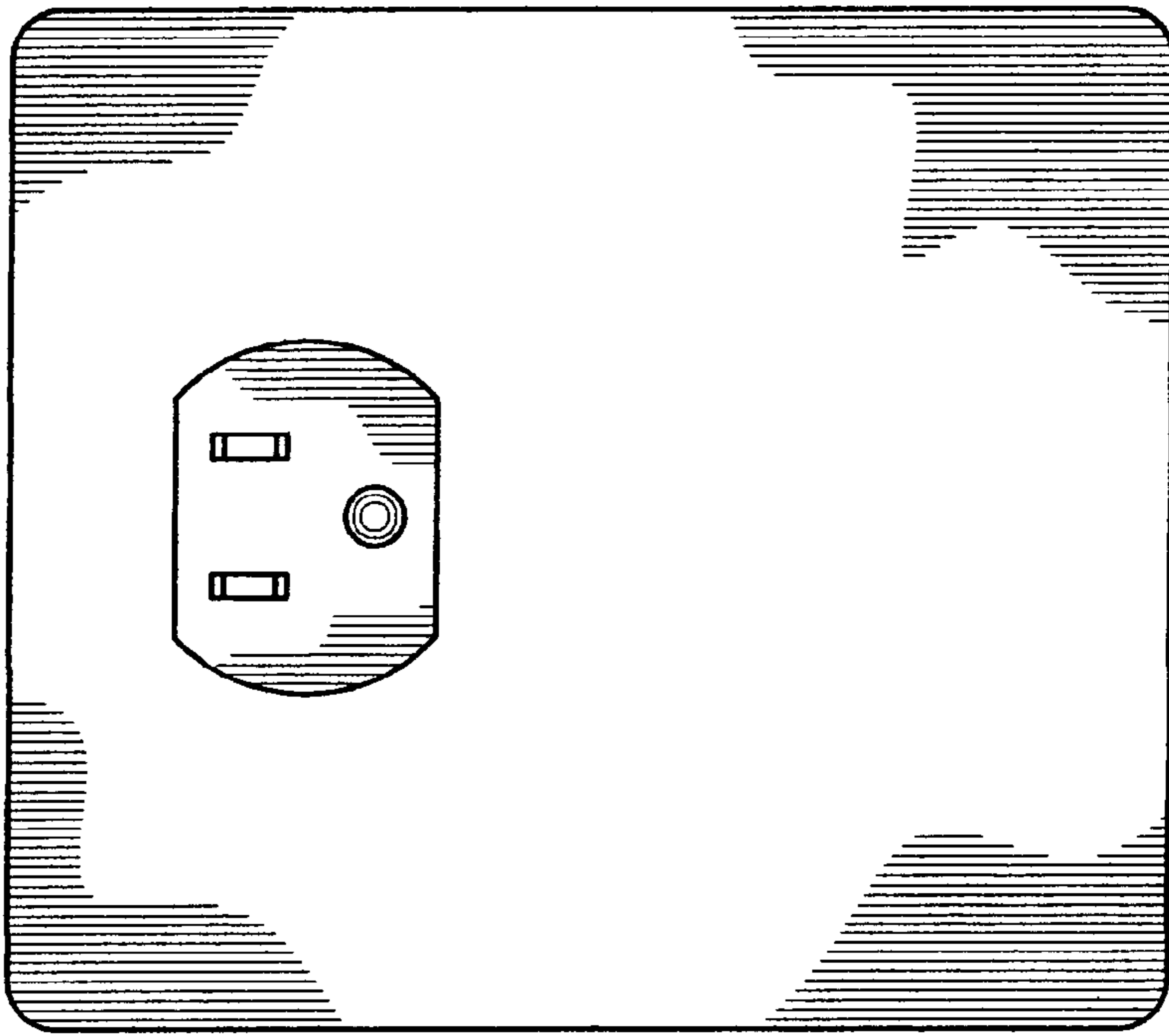


FIG. 2

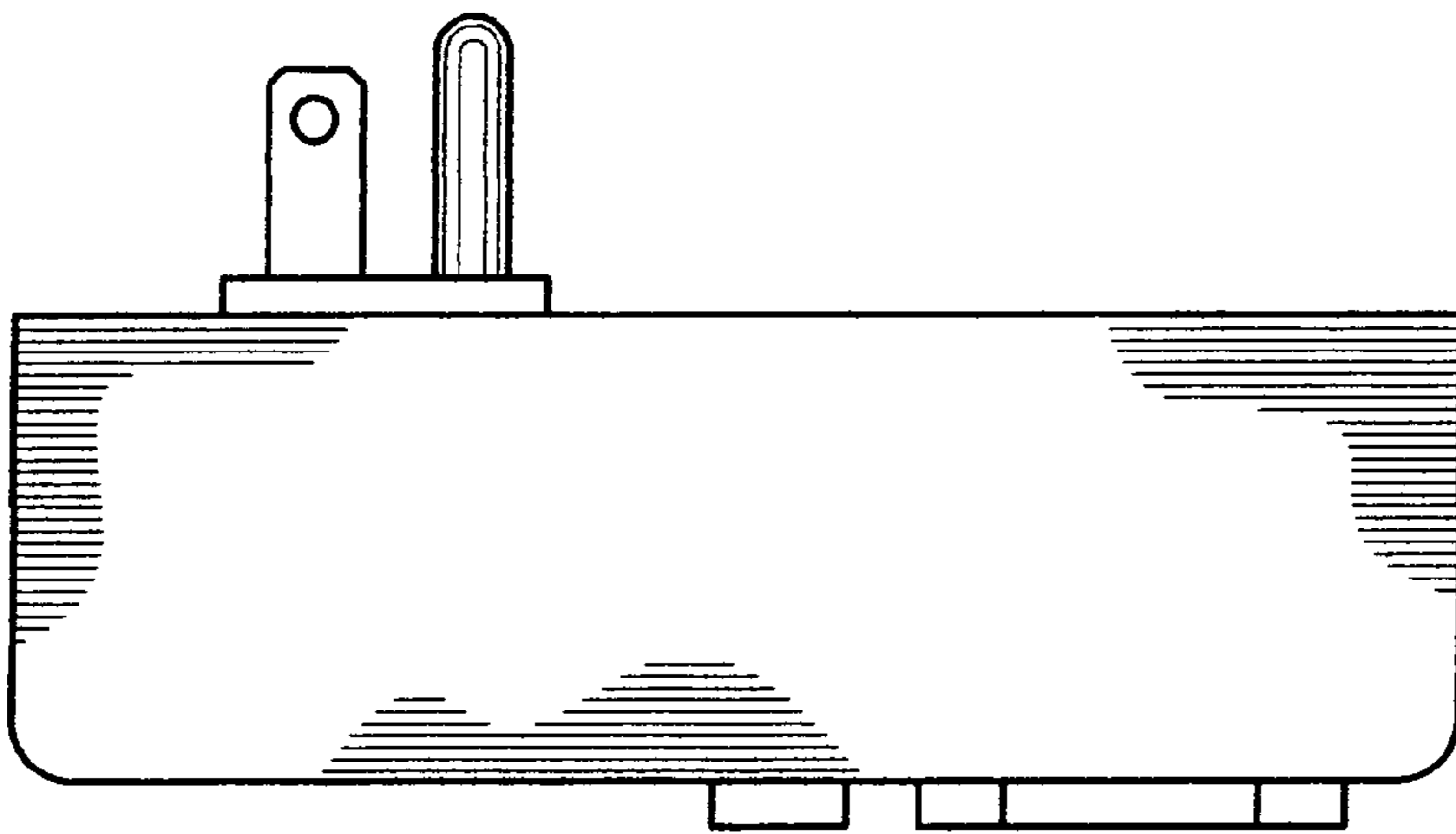


FIG. 4

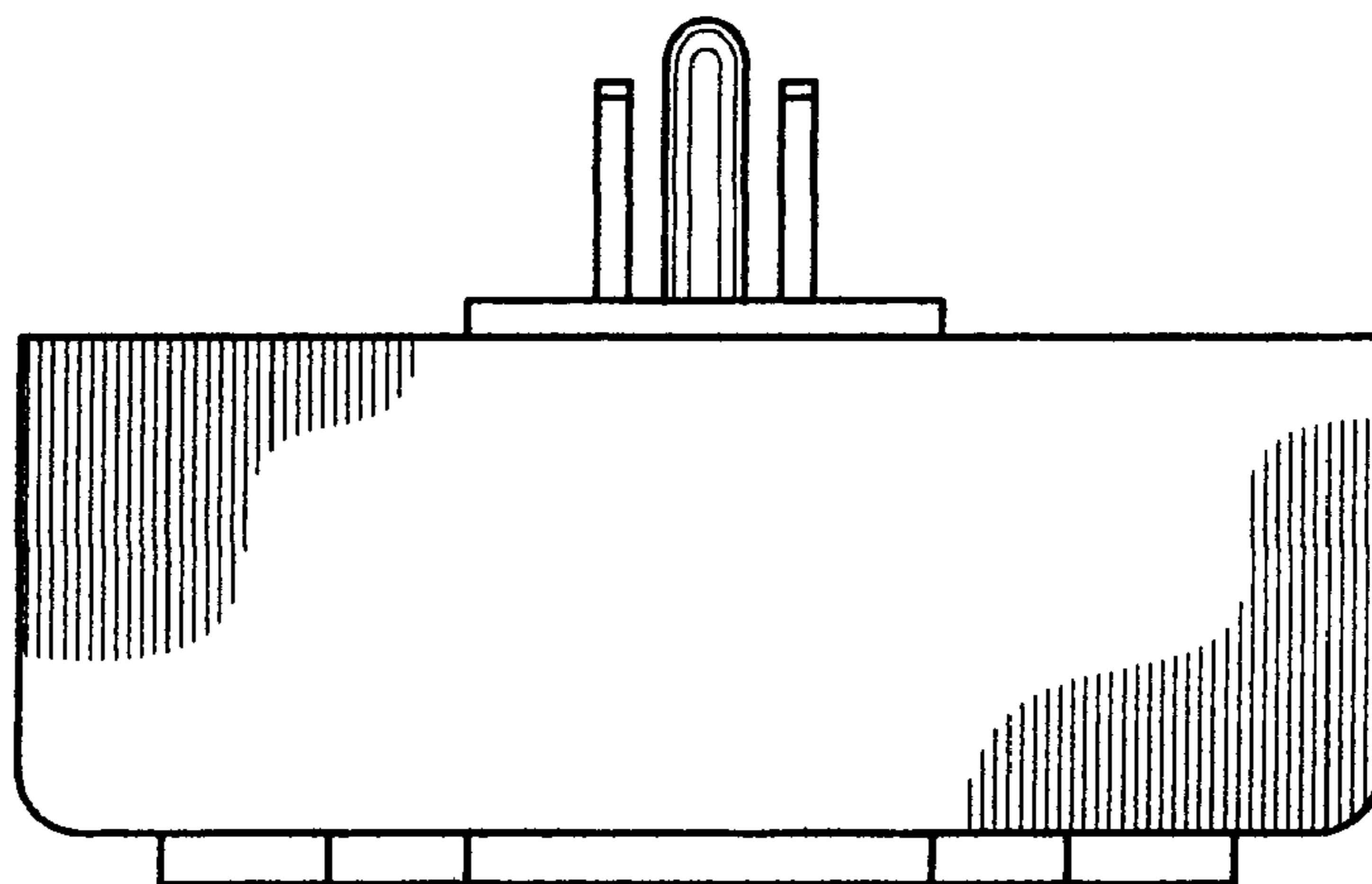


FIG.5

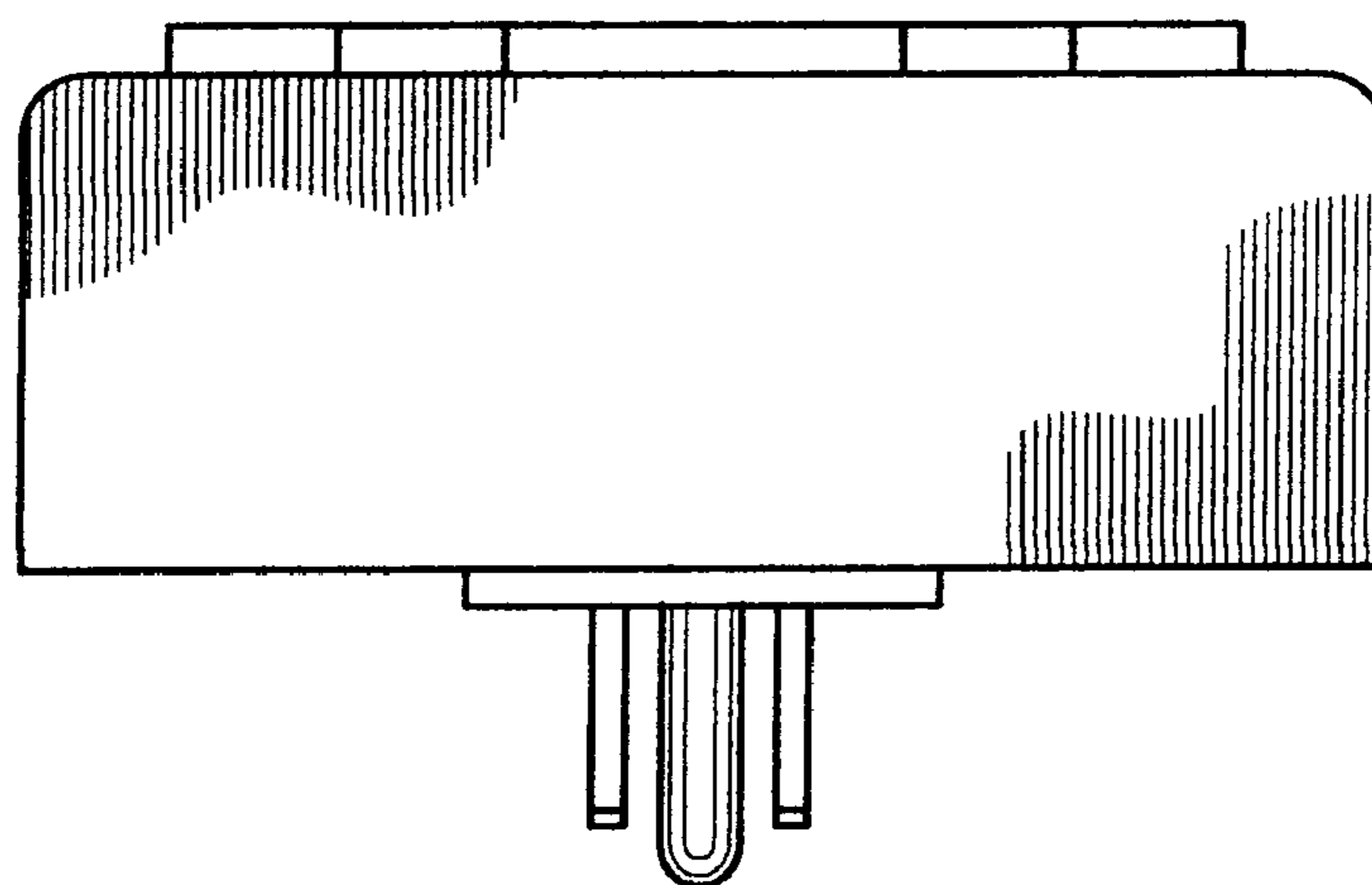


FIG.6

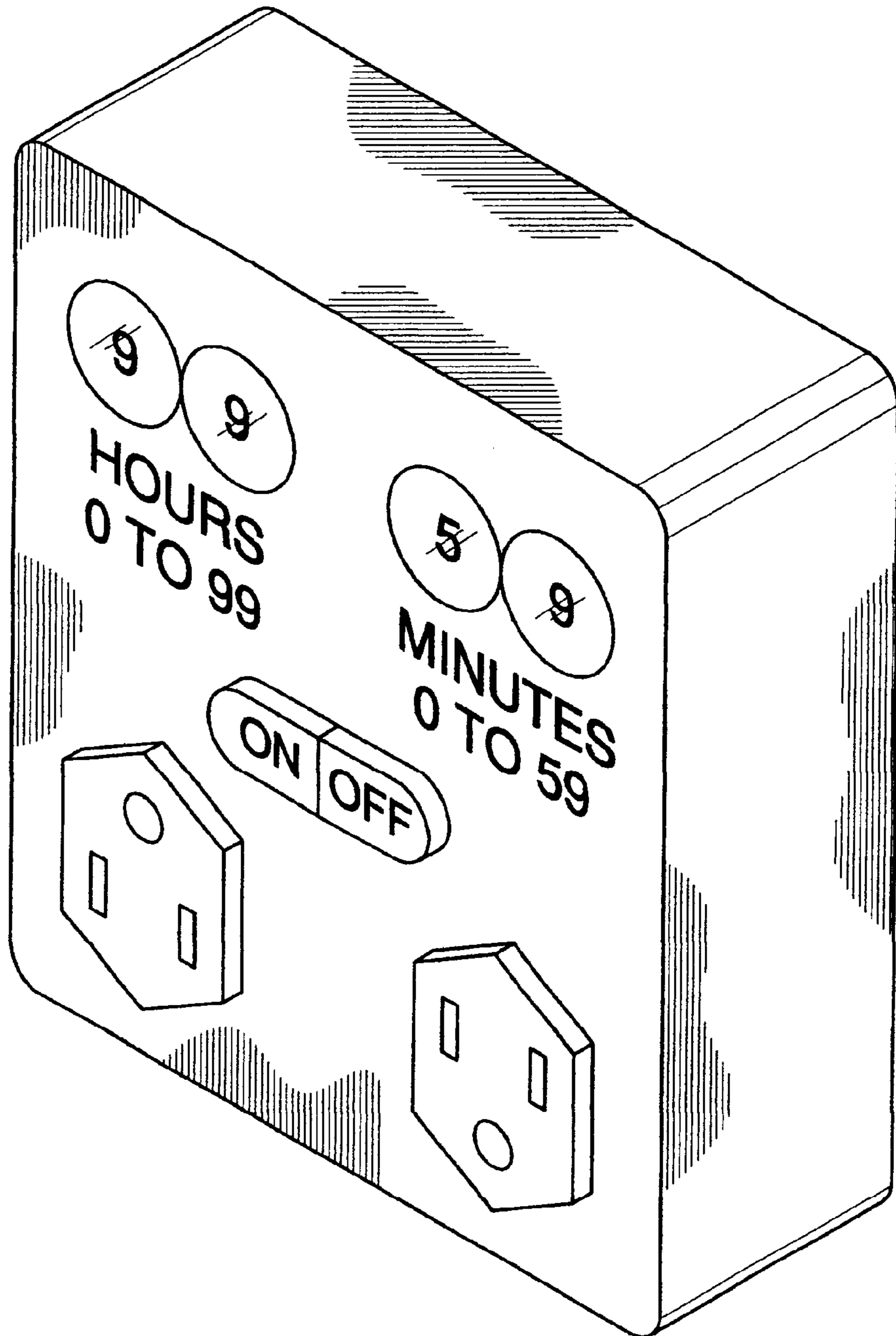


FIG.7