



US00D525151S

(12) **United States Design Patent**
Oas

(10) **Patent No.:** **US D525,151 S**

(45) **Date of Patent:** **** Jul. 18, 2006**

(54) **PILL BOX TIMER**

(75) Inventor: **Daniel Oas**, Irwindale, CA (US)

(73) Assignee: **Calibre International, LLC**, Irwindale, CA (US)

(**) Term: **14 Years**

(21) Appl. No.: **29/224,719**

(22) Filed: **Mar. 4, 2005**

(51) **LOC (8) Cl.** **10-03**

(52) **U.S. Cl.** **D10/40; D10/2; D3/203.2**

(58) **Field of Classification Search** D10/40,
D10/41, 2; D3/203.2, 203.3; D9/721; 206/540,
206/528, 534; 368/10, 250, 276-278, 107-120,
368/285, 316

See application file for complete search history.

(56) **References Cited**

U.S. PATENT DOCUMENTS

D190,142 S	*	4/1961	Meshino	D3/203.2
D303,771 S	*	10/1989	Chan	D10/40
5,020,037 A	*	5/1991	Raven	368/10
D333,272 S	*	2/1993	Peersmann	D10/15
D379,767 S	*	6/1997	Rowley	D10/2
5,990,782 A	*	11/1999	Lee	340/309.7

D422,515 S	*	4/2000	Kuo	D10/40
6,382,410 B1	*	5/2002	Magid et al.	206/38.1
D464,895 S	*	10/2002	Ng	D10/40
D469,700 S	*	2/2003	Ng	D10/40
D476,240 S	*	6/2003	Kuramochi et al.	D10/40
D490,308 S	*	5/2004	Hunger	D3/203.3
6,891,779 B1	*	5/2005	Pornel	368/113
6,934,220 B1	*	8/2005	Cruitt et al.	368/10

* cited by examiner

Primary Examiner—Lucy Lieberman

(74) *Attorney, Agent, or Firm*—The Soni Law Firm

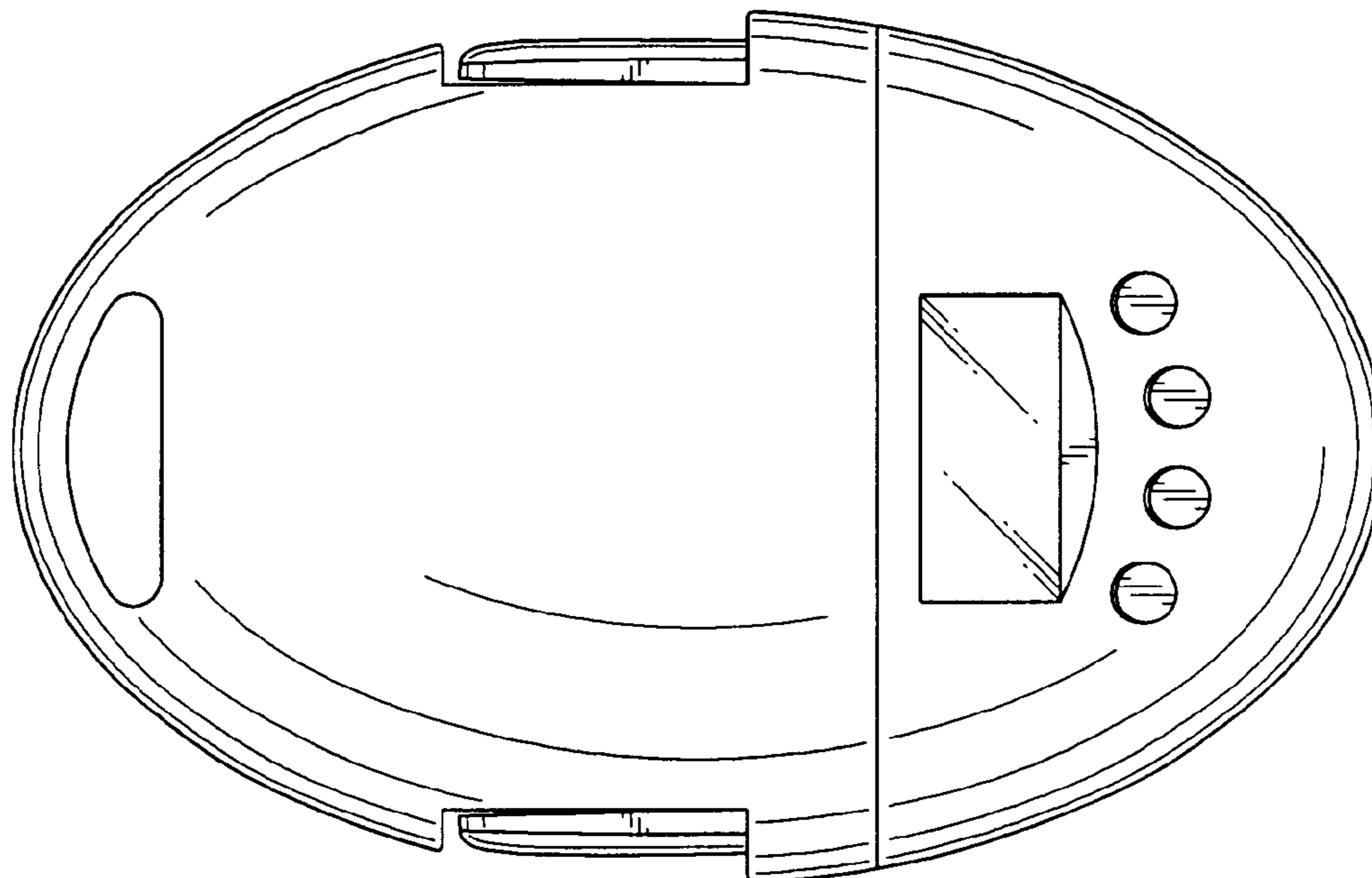
(57) **CLAIM**

The ornamental design for a pill box timer, as shown and described.

DESCRIPTION

FIG. 1 is a front, bottom and right side perspective view of a pill box timer showing my new design;
 FIG. 2 is a front view of the pill box timer of FIG. 1;
 FIG. 3 is a bottom view thereof;
 FIG. 4 is a right side view thereof;
 FIG. 5 is a left side view thereof;
 FIG. 6 is a rear view of the pill box timer of FIG. 1; and,
 FIG. 7 is an exploded perspective view thereof.

1 Claim, 3 Drawing Sheets



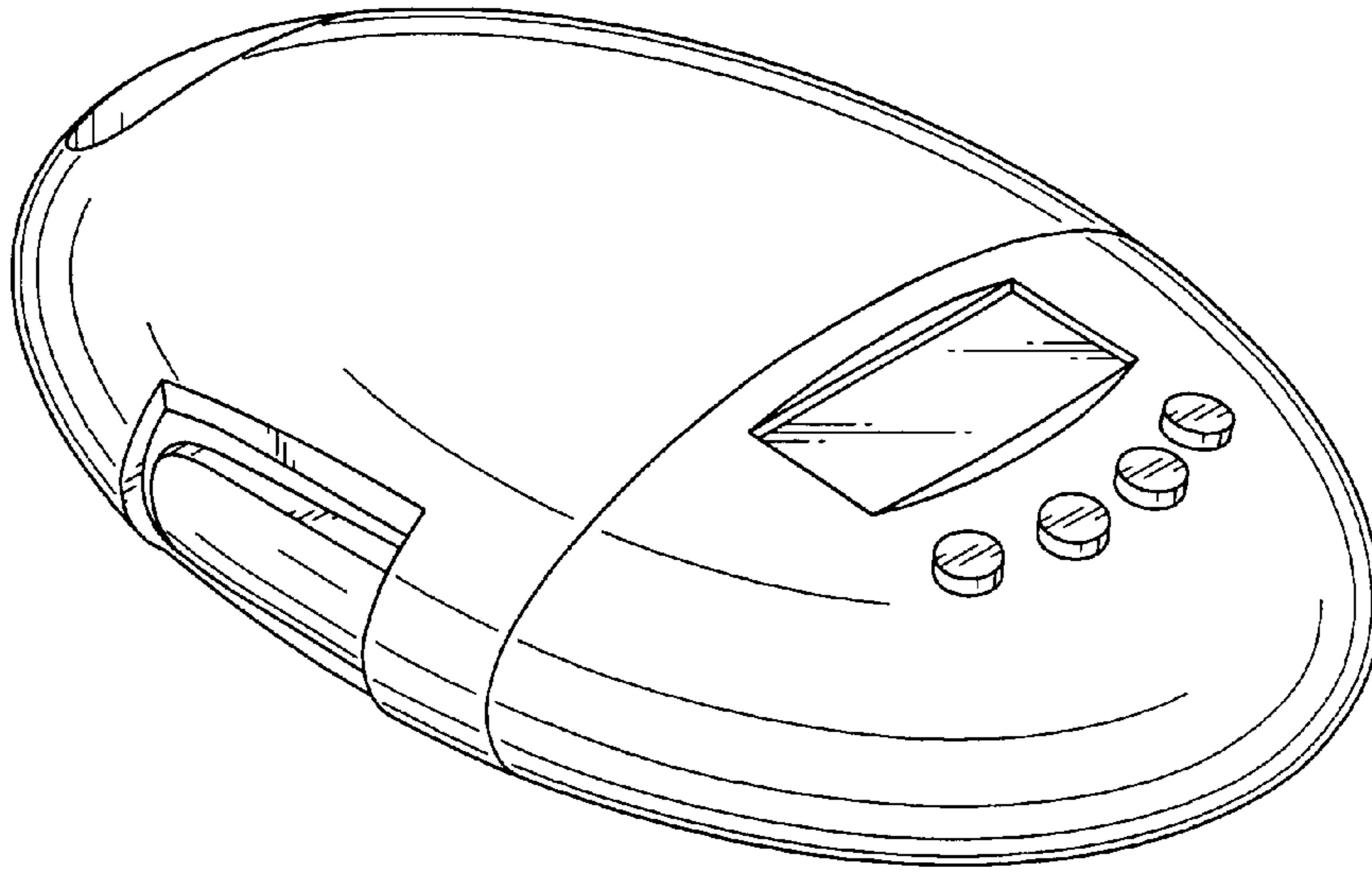


FIG. 1

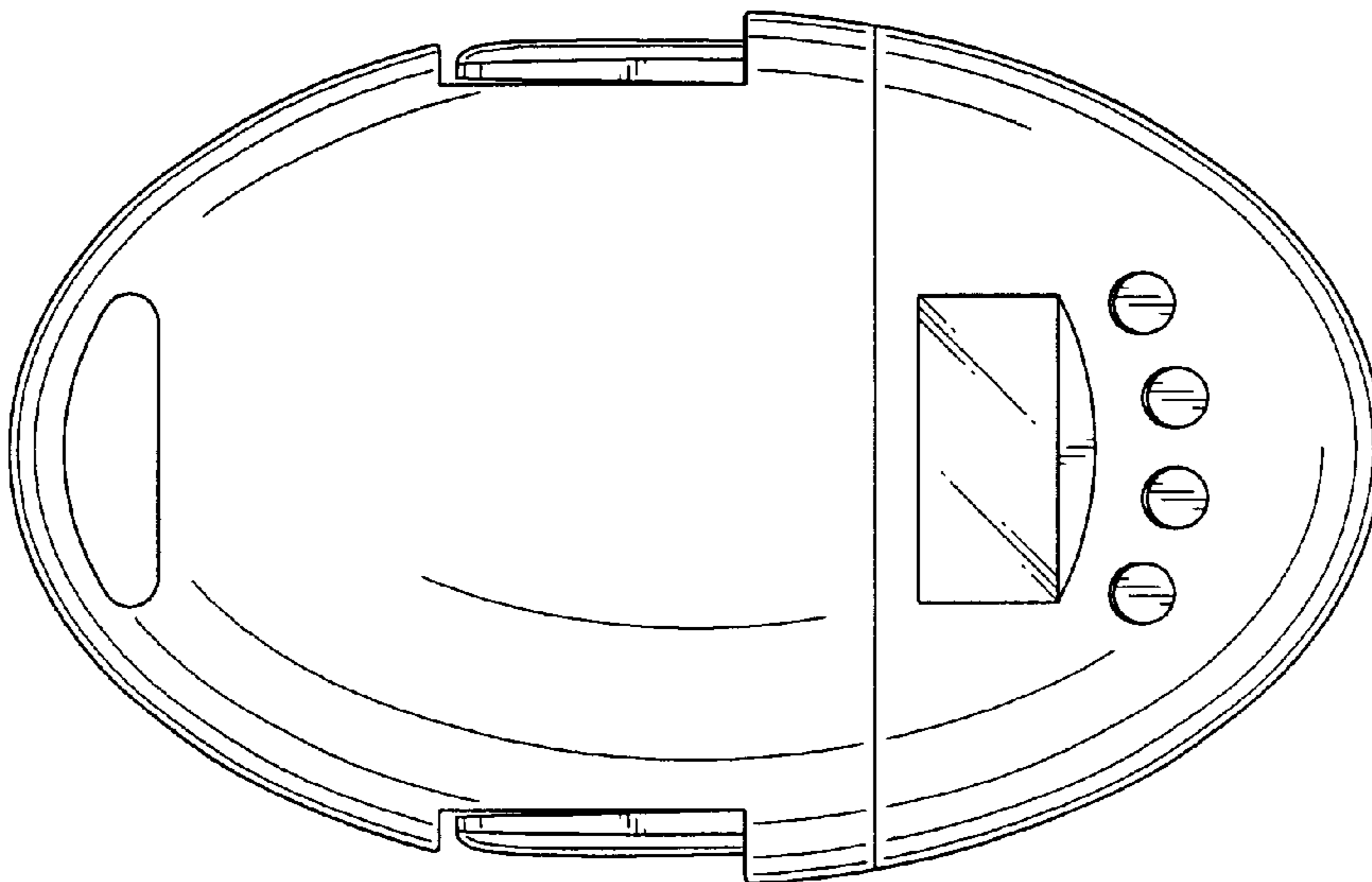


FIG. 2

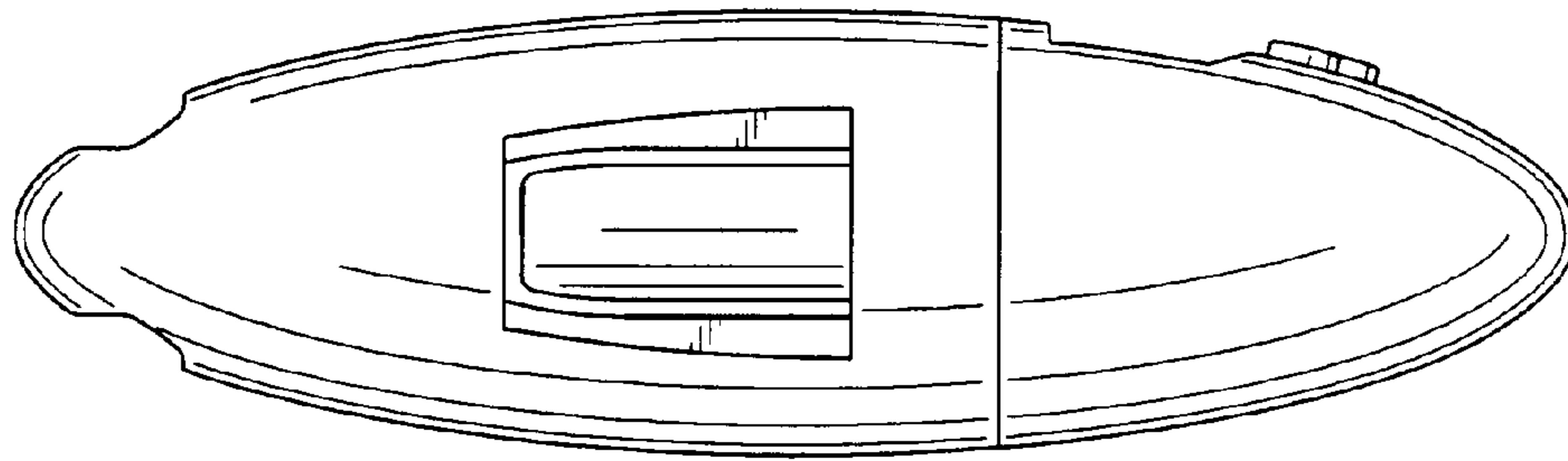


FIG. 3

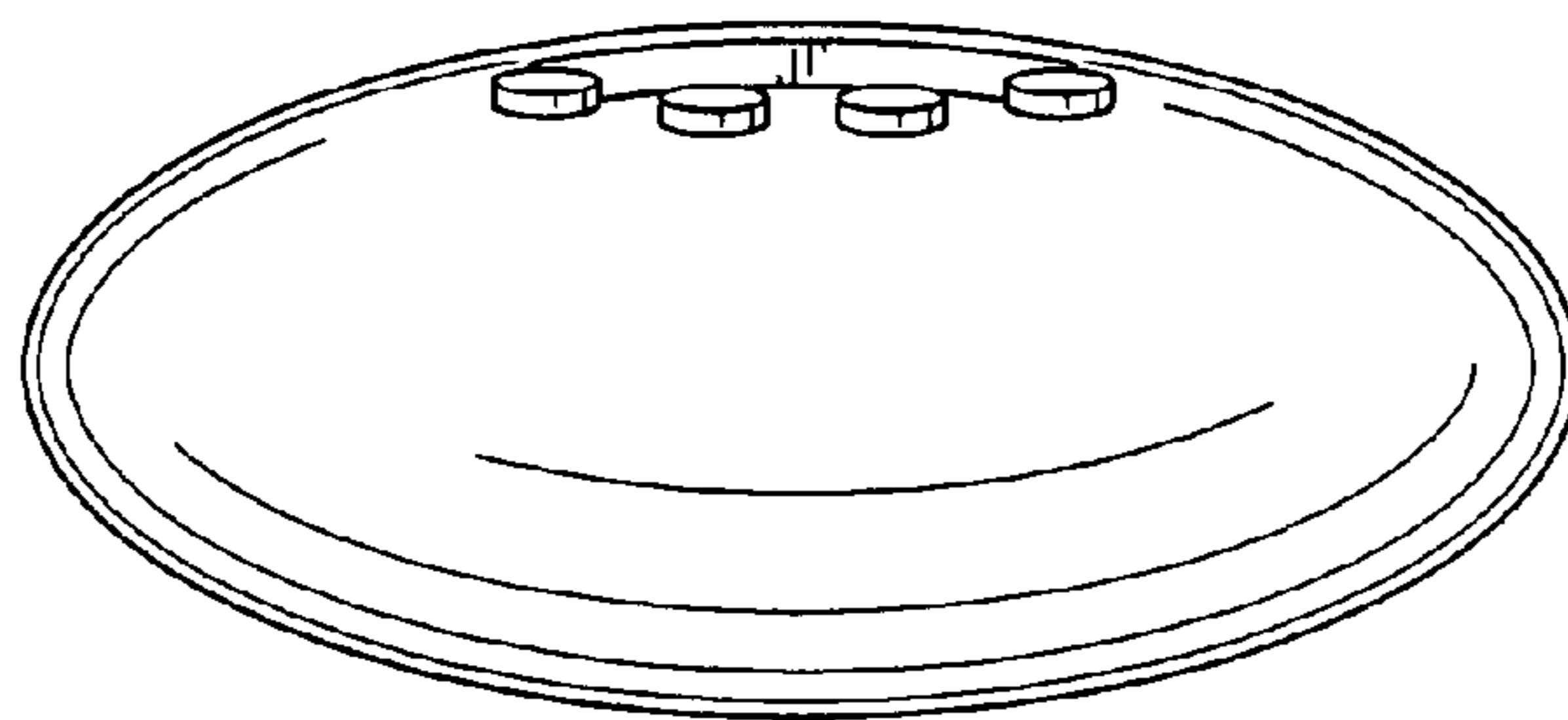


FIG. 4

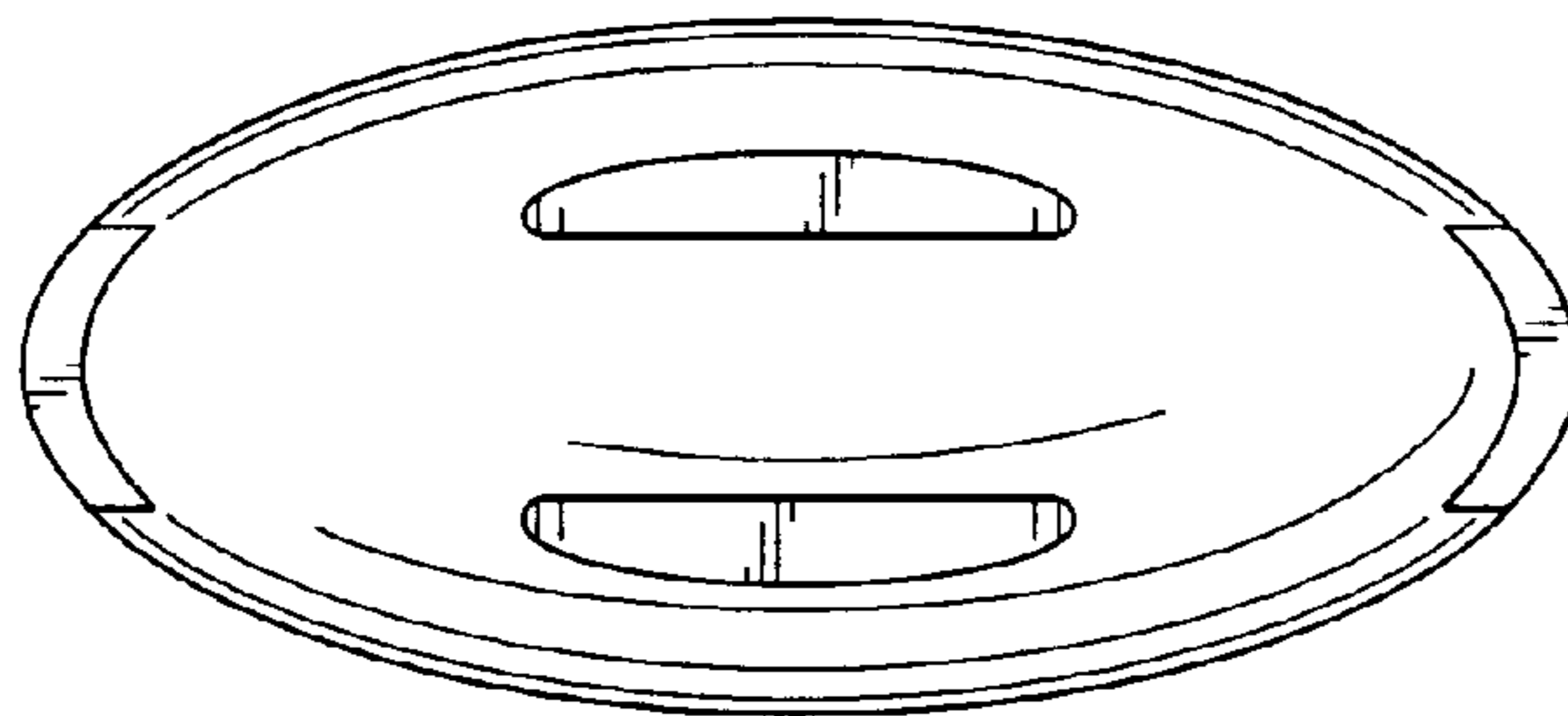


FIG. 5

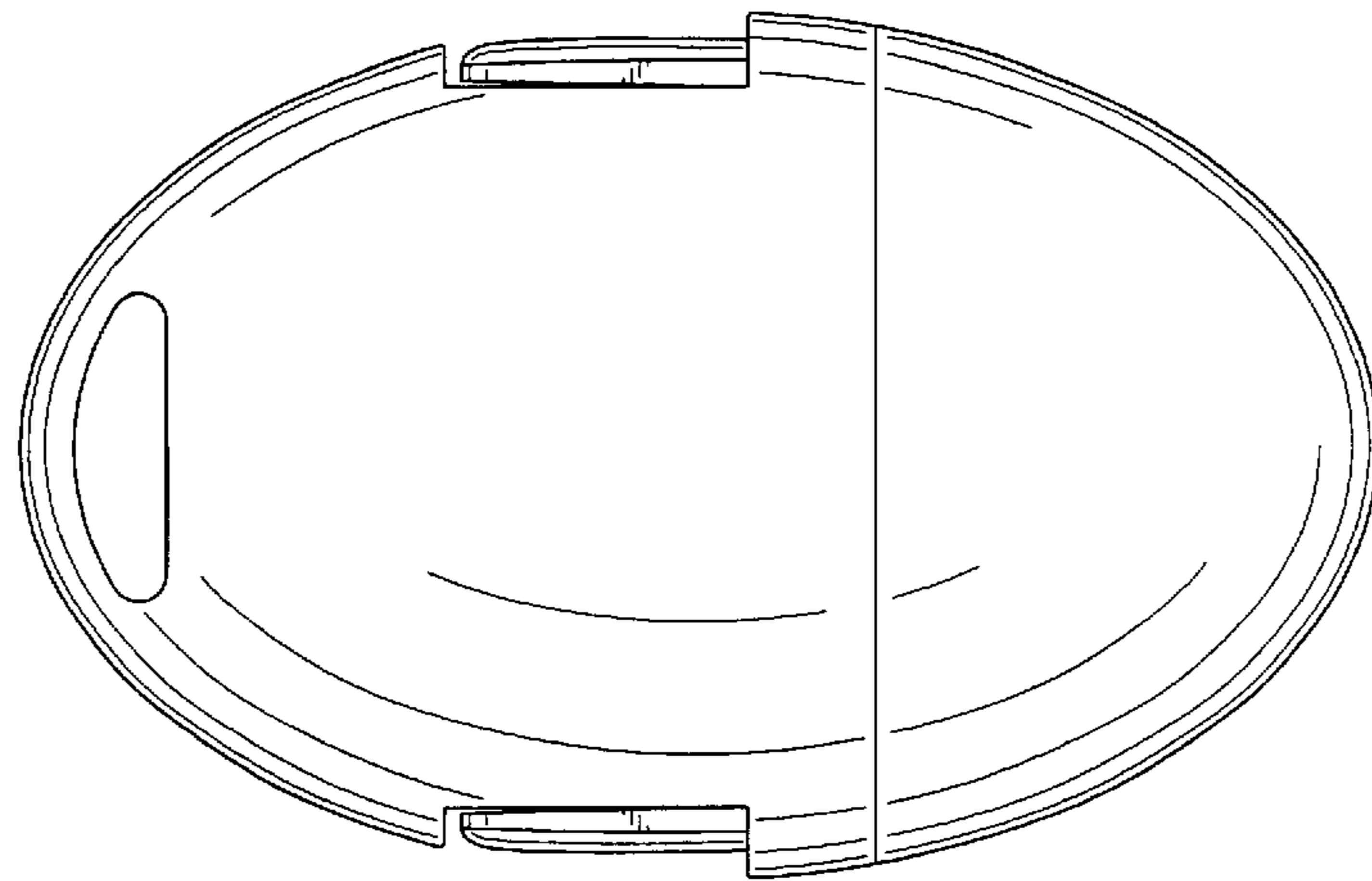


FIG. 6

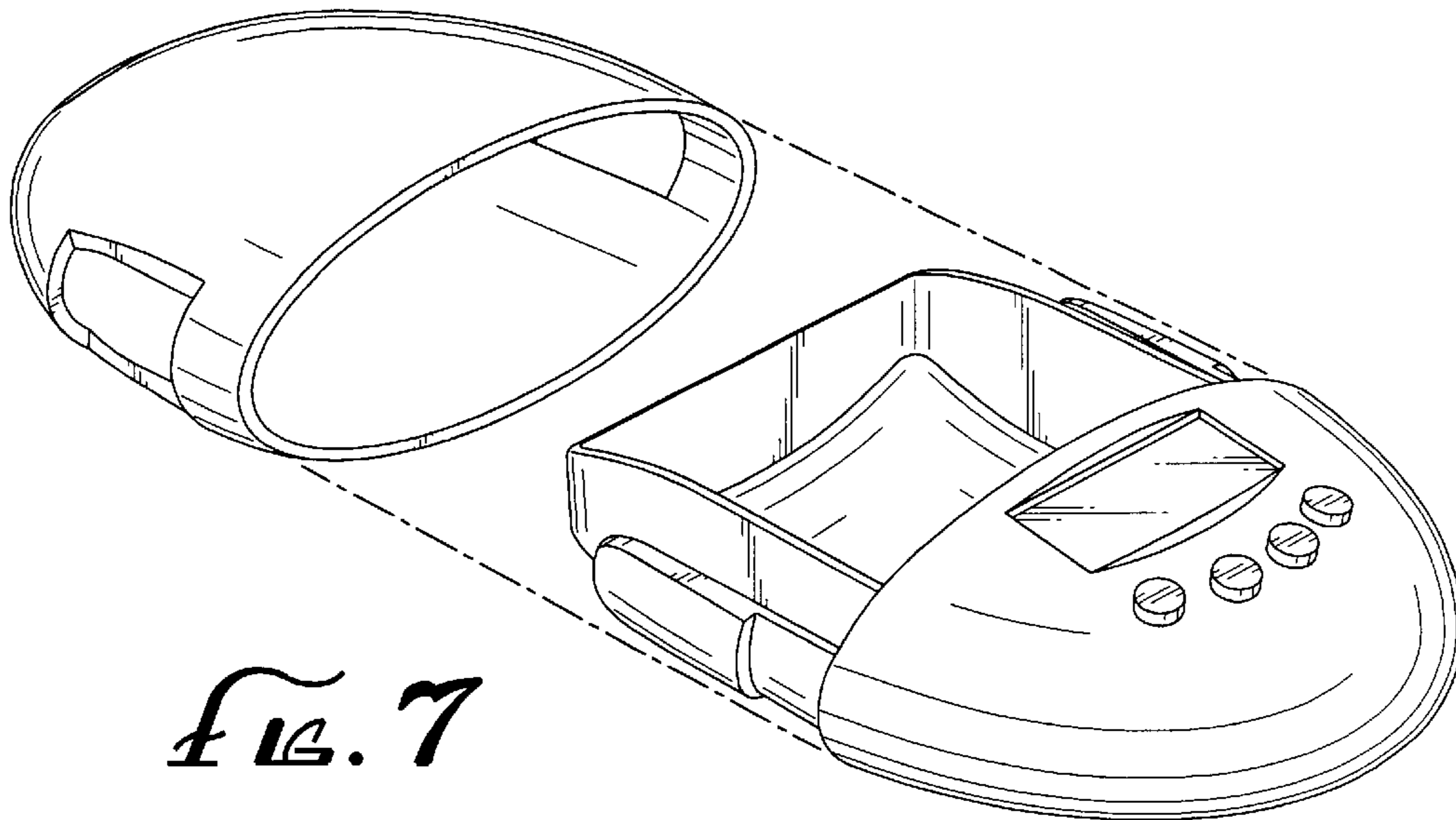


FIG. 7