

US00D525146S

(12) **United States Design Patent**
Young et al.

(10) **Patent No.:** **US D525,146 S**
(45) **Date of Patent:** **** Jul. 18, 2006**

(54) **THIN PROFILE WIPE DISPENSING CONTAINER**

(75) Inventors: **Allen Young**, Phoenix, AZ (US); **Aaron Neuhauser**, Mesa, AZ (US)

(73) Assignee: **GPMI Company**, Gilbert, AZ (US)

(**) Term: **14 Years**

(21) Appl. No.: **29/201,610**

(22) Filed: **Mar. 19, 2004**

(51) **LOC (8) Cl.** **09-03**

(52) **U.S. Cl.** **D9/734**

(58) **Field of Classification Search** D9/729-731, D9/734, 643, 648, 414, 417-424, 430-435, D9/445, 448, 499, 500-504; D28/4, 7, 9, D28/73, 76, 85, 88-90; 206/235, 365, 285; 220/788, 916, 160.1, 228; D27/186, 189-191
See application file for complete search history.

(56) **References Cited**

U.S. PATENT DOCUMENTS

2,796,212	A	*	6/1957	Graybill	229/160.1
2,906,444	A	*	9/1959	Weiss et al.	229/228
D195,148	S	*	4/1963	Marchant	D9/529
D279,224	S	*	6/1985	Wolbrom	D28/7
D279,507	S	*	7/1985	Schechter et al.	D27/189

D294,183	S	*	2/1988	Hiesse	D28/7
5,044,550	A	*	9/1991	Lamm	229/160.1
D342,205	S	*	12/1993	Ritz	D9/432
D354,434	S	*	1/1995	Nilssen	D9/729
D355,275	S	*	2/1995	Focke	D27/189
D405,007	S	*	2/1999	Naas, Sr.	D9/414

* cited by examiner

Primary Examiner—Nanda Bondade

Assistant Examiner—Shanda C. Hill

(74) *Attorney, Agent, or Firm*—Janine Rickman Novatt; Weiss, Moy & Harris, P.C.

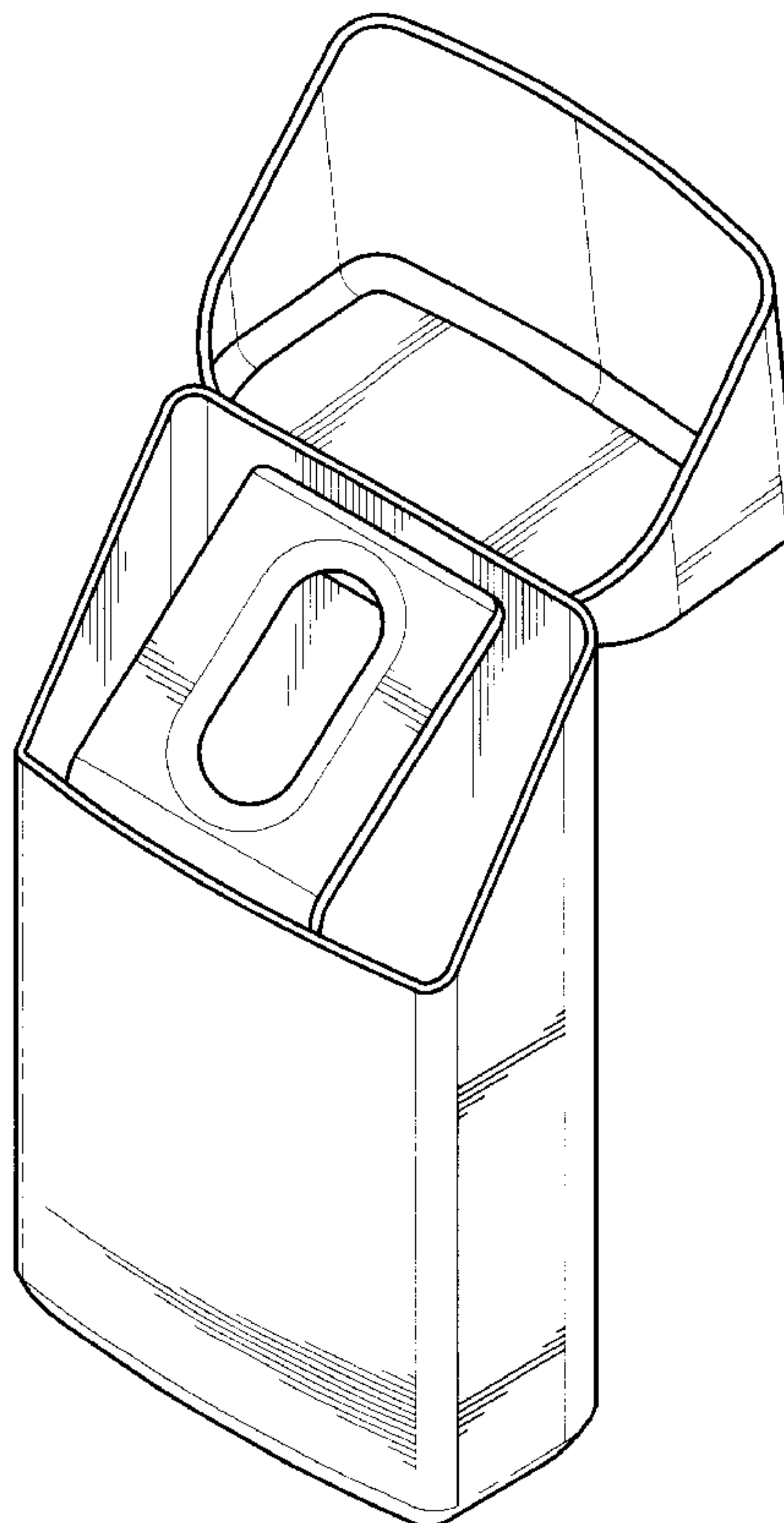
(57) **CLAIM**

The ornamental design for a thin profile wipe dispensing container, substantially as shown and described.

DESCRIPTION

FIG. 1 is a top, front, left perspective view of a thin profile dispensing container showing our new design, shown with the lid in an open position;
FIG. 2 is a perspective view of FIG. 1 shown with the lid in a closed position;
FIG. 3 is a front elevational view thereof;
FIG. 4 is a rear elevational view thereof;
FIG. 5 is a left side elevational view thereof, the right side elevational view being a mirror image thereto; and,
FIG. 6 is a top plan view thereof.

1 Claim, 2 Drawing Sheets



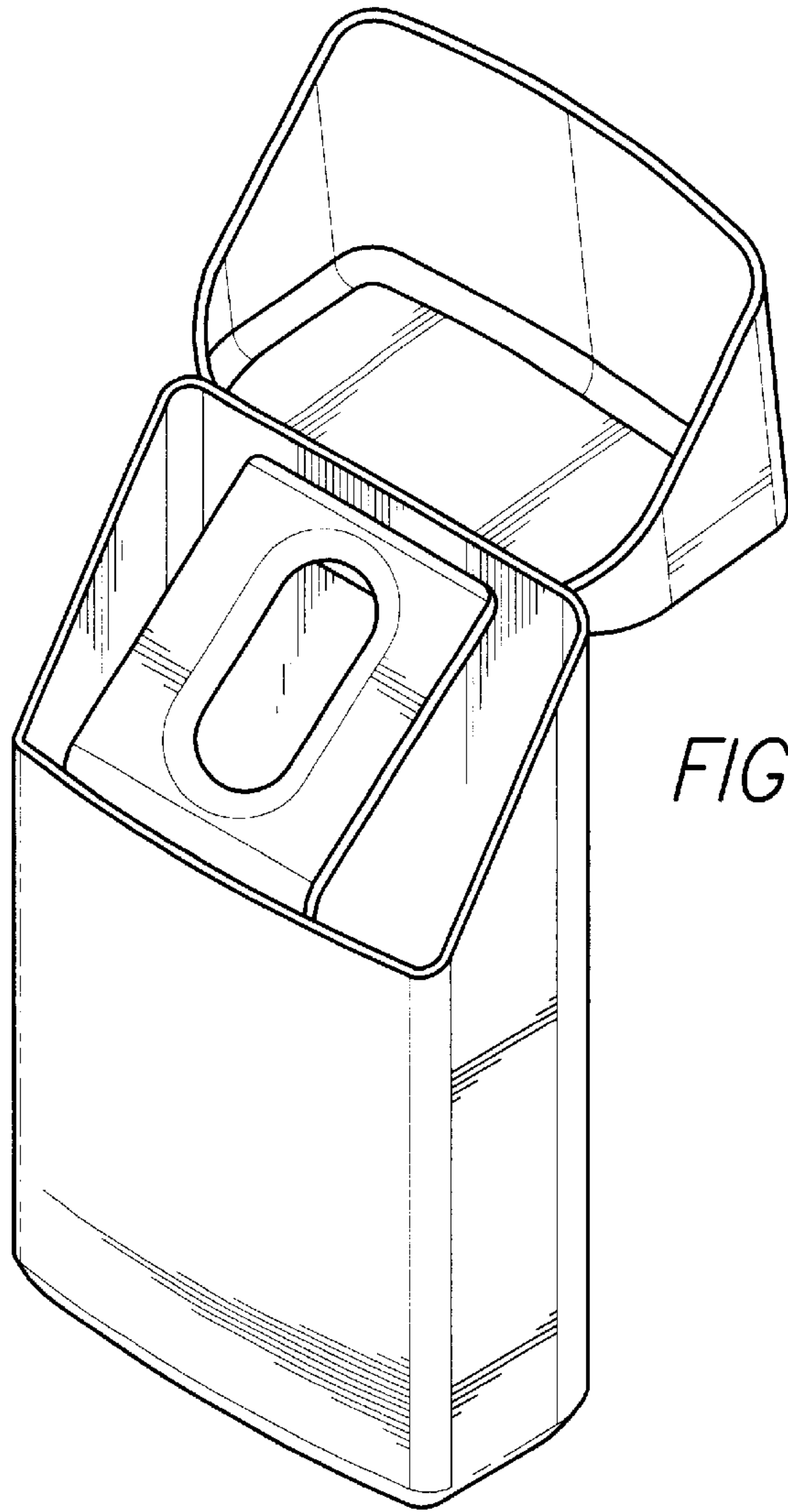


FIG. 1

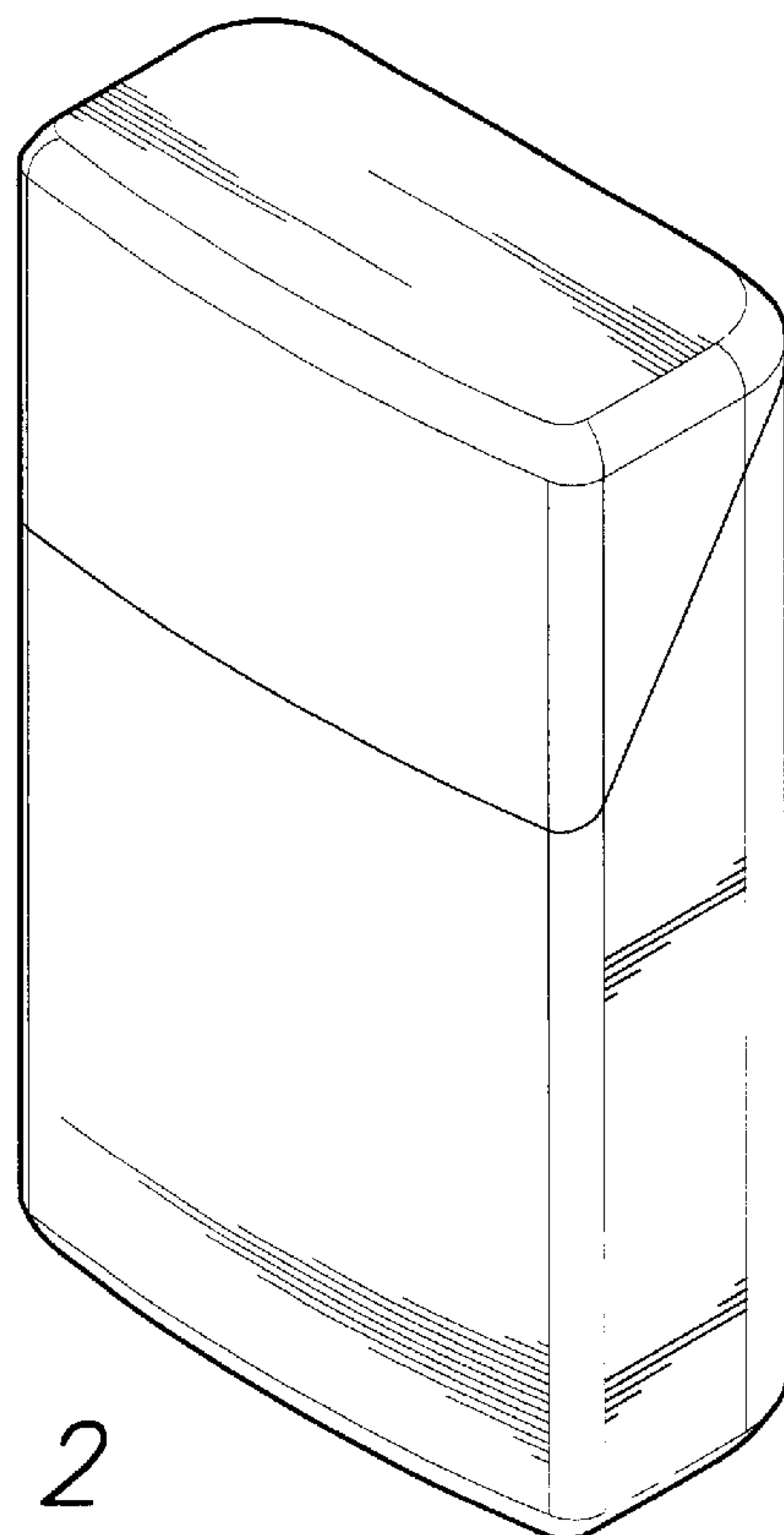


FIG. 2

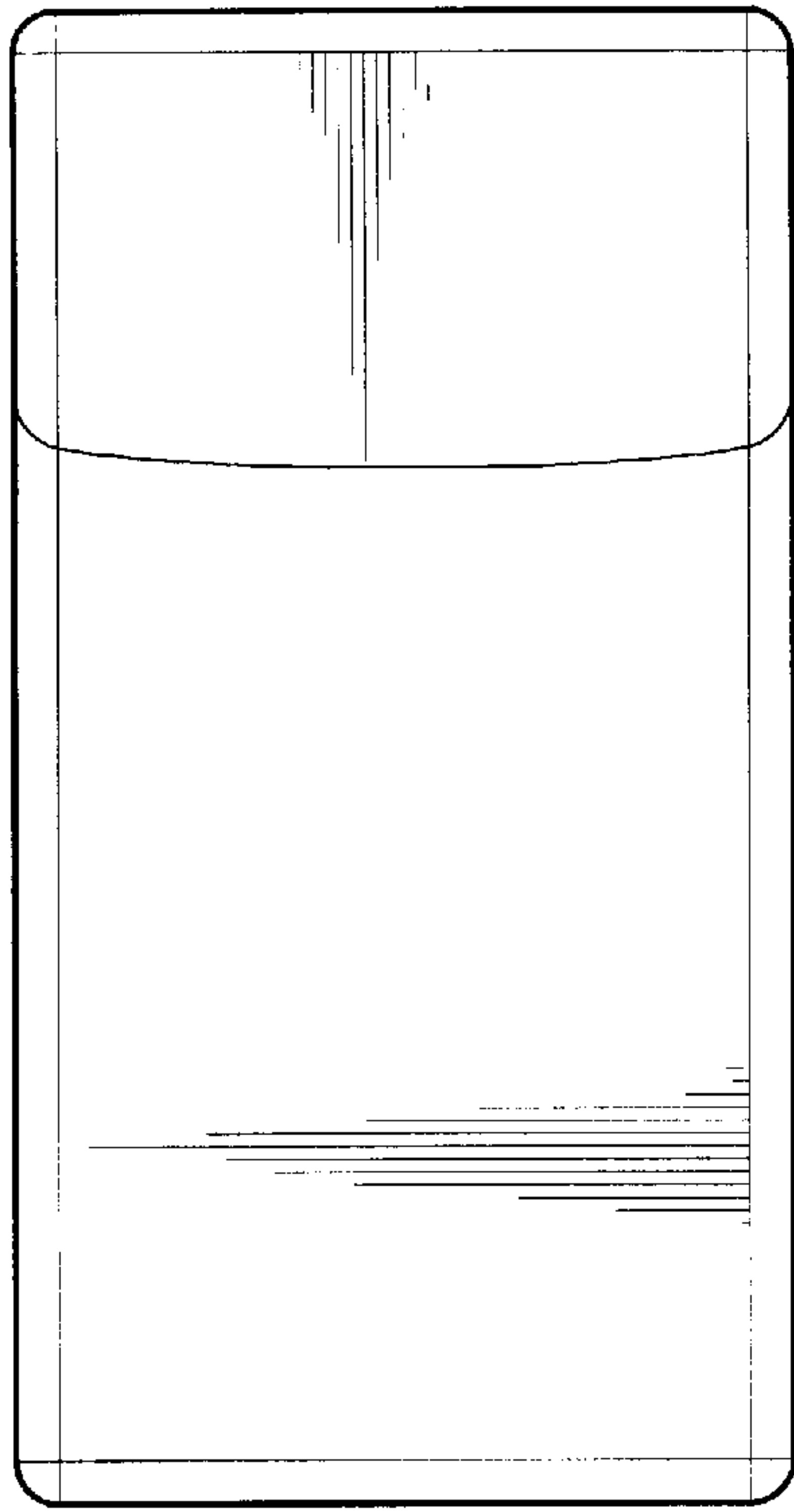


FIG. 3

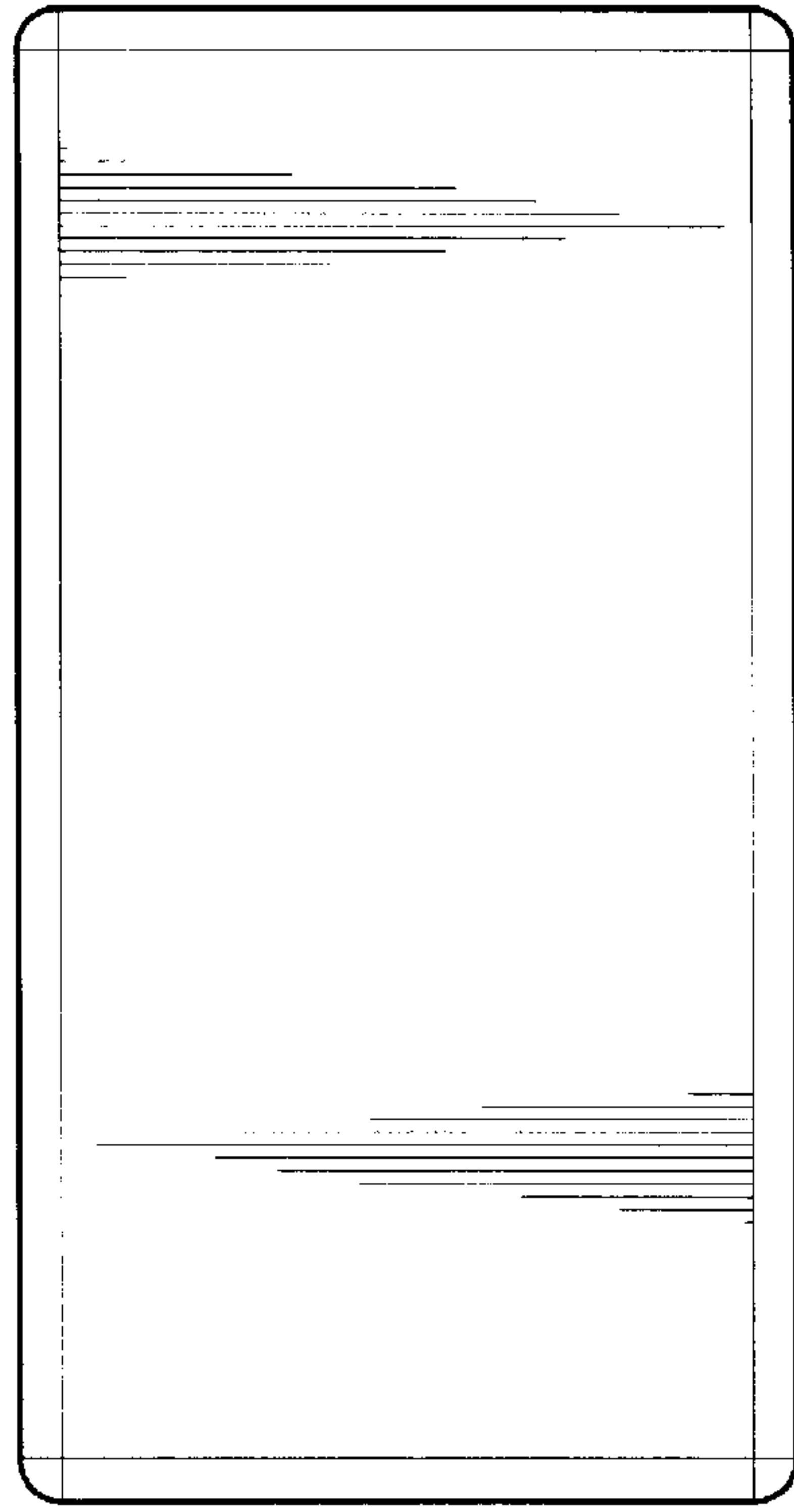


FIG. 4

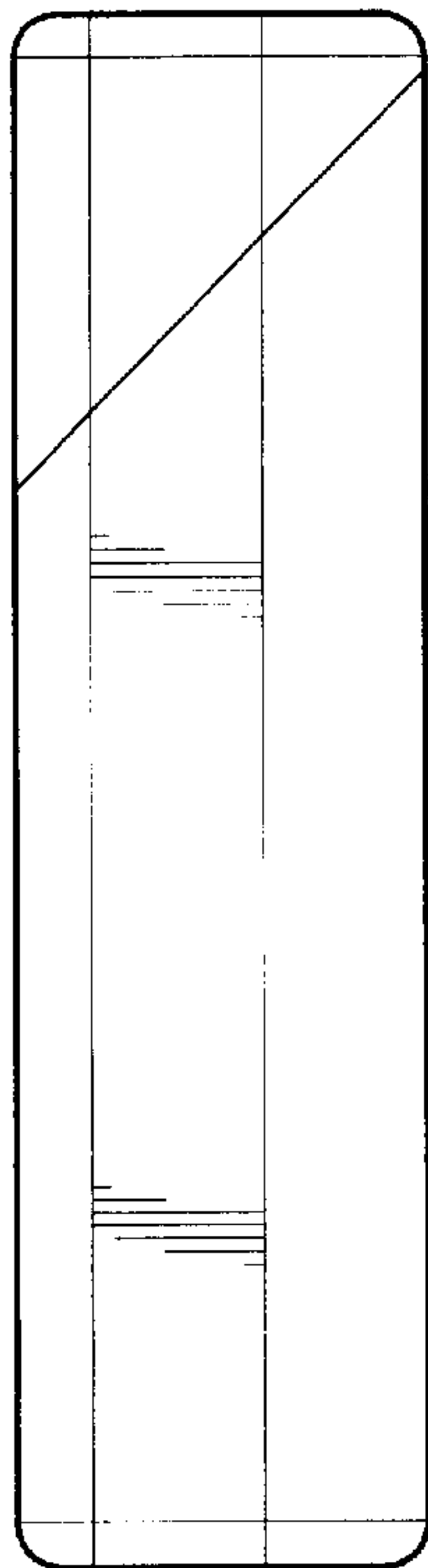


FIG. 5

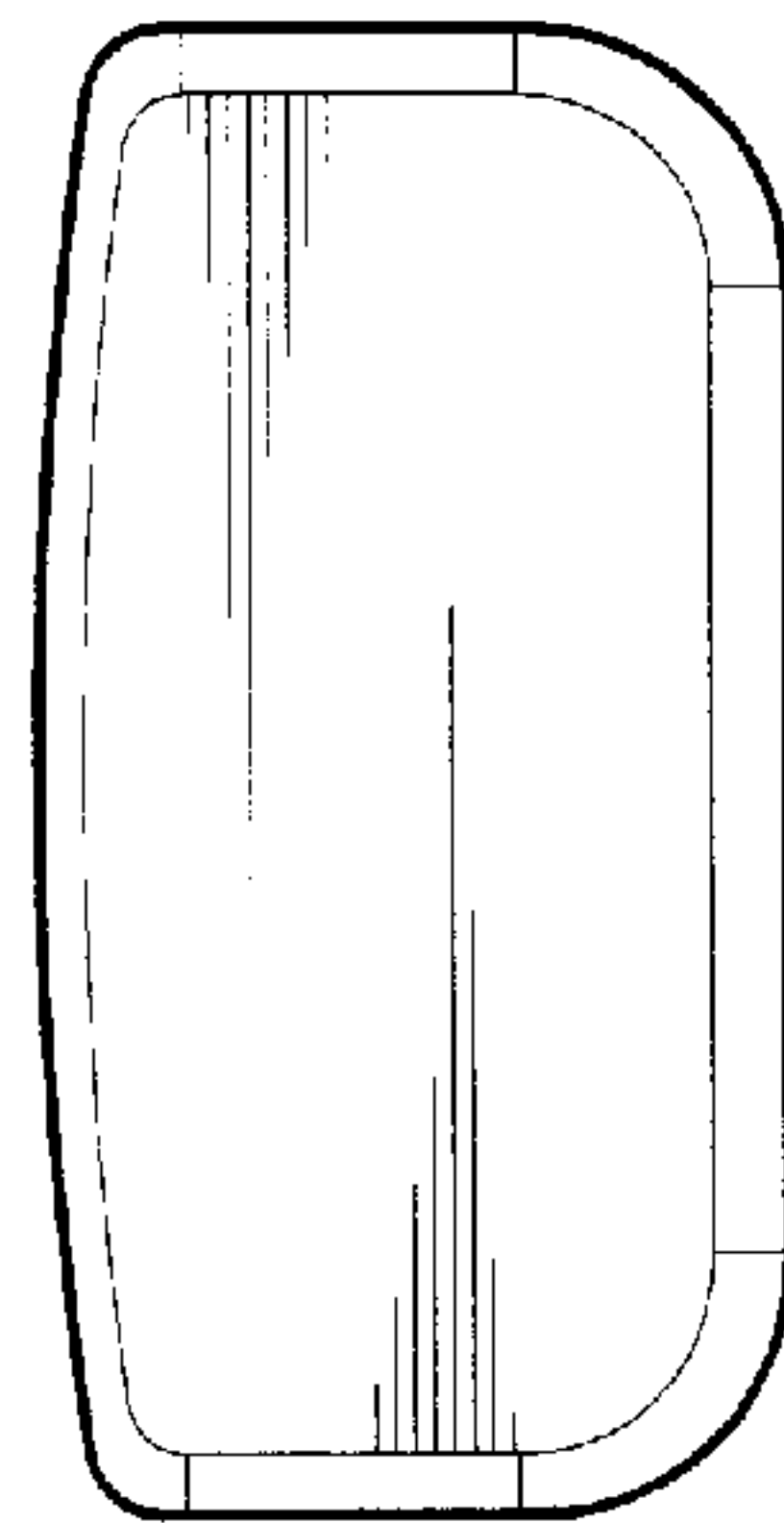


FIG. 6