

US00D525142S

(12) **United States Design Patent**  
**Baron**

(10) **Patent No.:** **US D525,142 S**

(45) **Date of Patent:** **\*\* Jul. 18, 2006**

(54) **BOTTLE FOR FRAGRANCE**  
(75) Inventor: **Fabien Baron**, New York, NY (US)  
(73) Assignee: **Fragrance and Skincare SL**,  
Barcelona (ES)  
(\*\*) Term: **14 Years**

D152,473 S \* 1/1949 Heim ..... D9/607  
D156,507 S \* 12/1949 Heftler-Louiche ..... D28/91.1  
D167,981 S \* 10/1952 Frydlender ..... D28/91.1  
D168,739 S \* 2/1953 Grip ..... D28/91.1  
D250,610 S \* 12/1978 Wynn ..... D21/423  
D324,820 S \* 3/1992 Hayman et al. .... D9/544

\* cited by examiner

(21) Appl. No.: **29/210,976**  
(22) Filed: **Aug. 10, 2004**

*Primary Examiner*—Stella Reid  
*Assistant Examiner*—Rashida C McCoy  
(74) *Attorney, Agent, or Firm*—Hogan & Hartson LLP

(30) **Foreign Application Priority Data**

Feb. 10, 2004 (EM) ..... 000131529

(57) **CLAIM**

The ornamental design for a bottle for fragrance, as shown and described.

(51) **LOC (8) Cl.** ..... **09-01**  
(52) **U.S. Cl.** ..... **D9/682**  
(58) **Field of Classification Search** ..... D9/682,  
D9/543, 544, 687, 694; D28/91.1  
See application file for complete search history.

**DESCRIPTION**

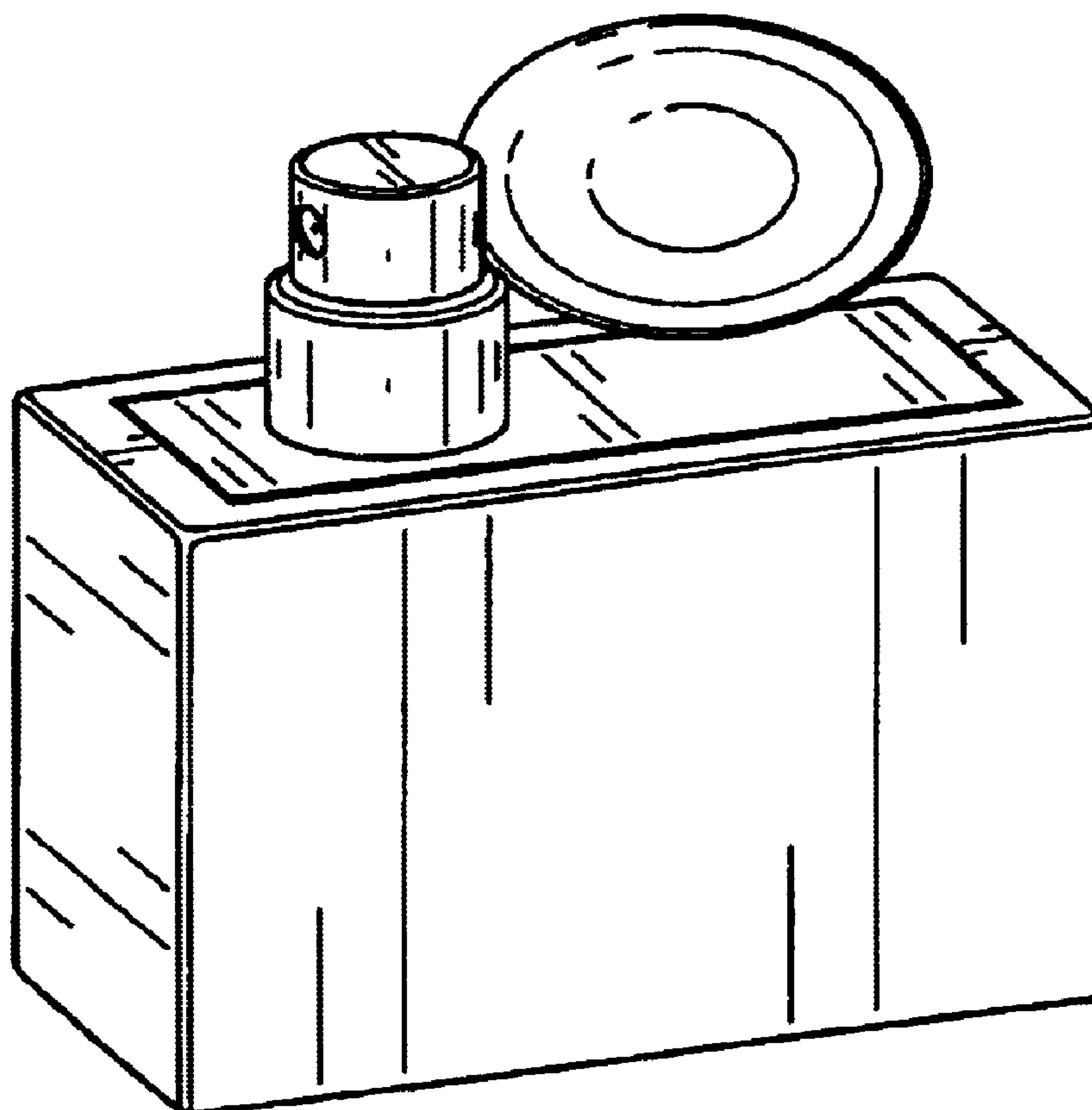
FIG. 1 is a front perspective view of a bottle for fragrance showing the design;  
FIG. 2 is a front view thereof;  
FIG. 3 is a right view thereof;  
FIG. 4 is a left view thereof;  
FIG. 5 is a rear view thereof;  
FIG. 6 is a top view thereof; and,  
FIG. 7 is a bottom view thereof.

(56) **References Cited**

**U.S. PATENT DOCUMENTS**

D82,222 S \* 10/1930 Kollstede ..... D28/91.1  
D94,199 S \* 1/1935 Fuerst ..... D9/566  
D107,688 S \* 12/1937 Lloyd ..... D9/567

**1 Claim, 2 Drawing Sheets**



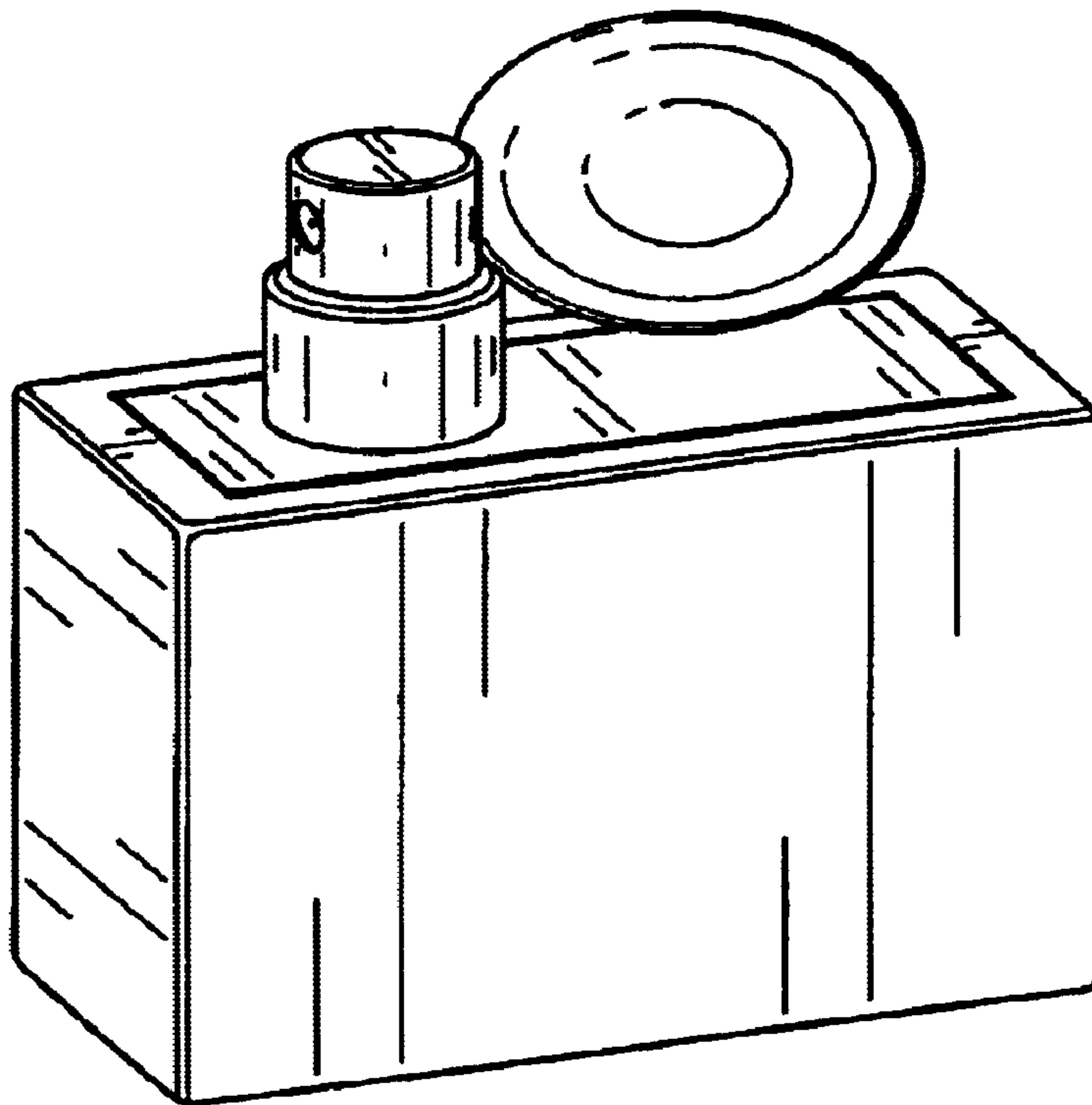


FIG. 1

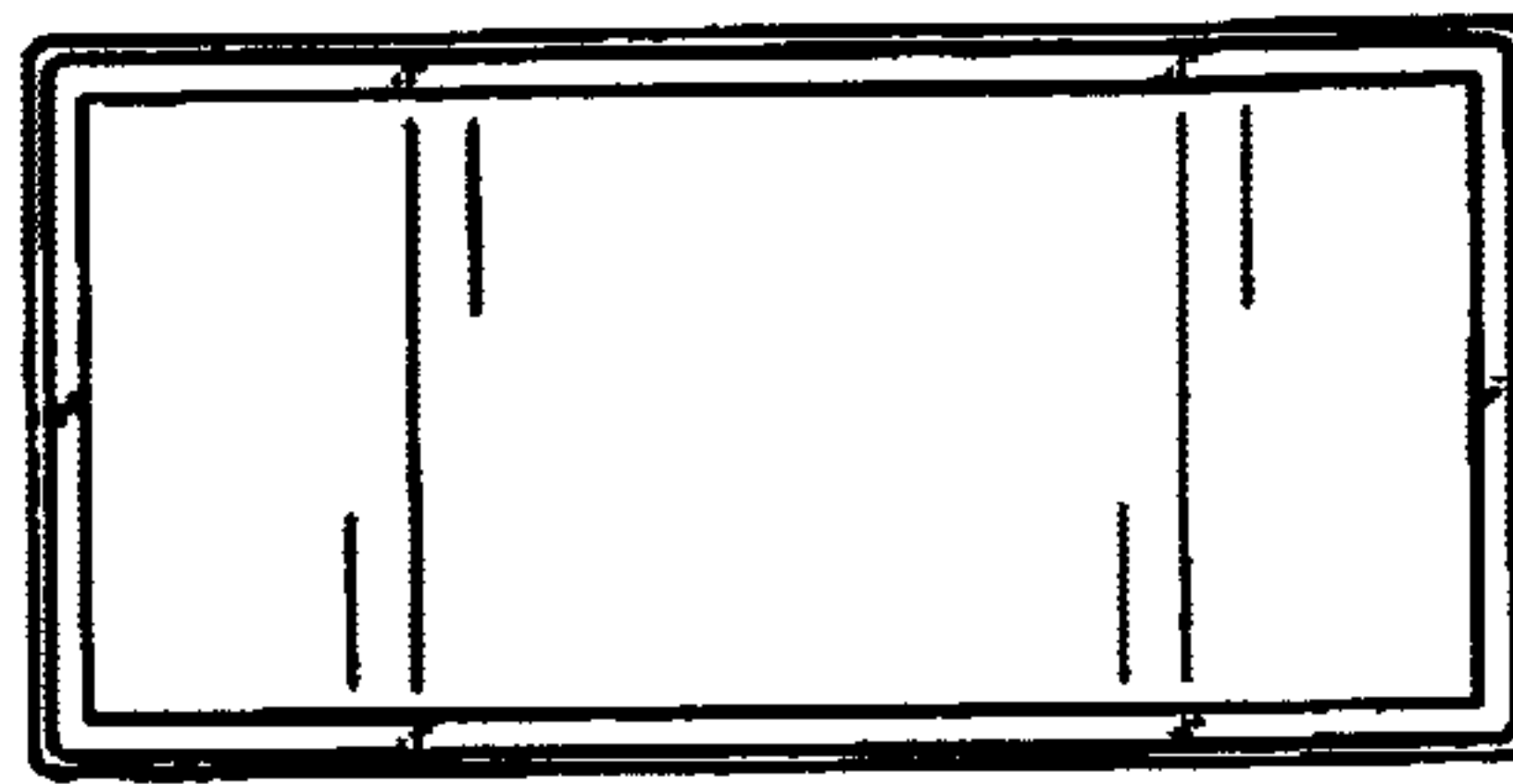


FIG. 7

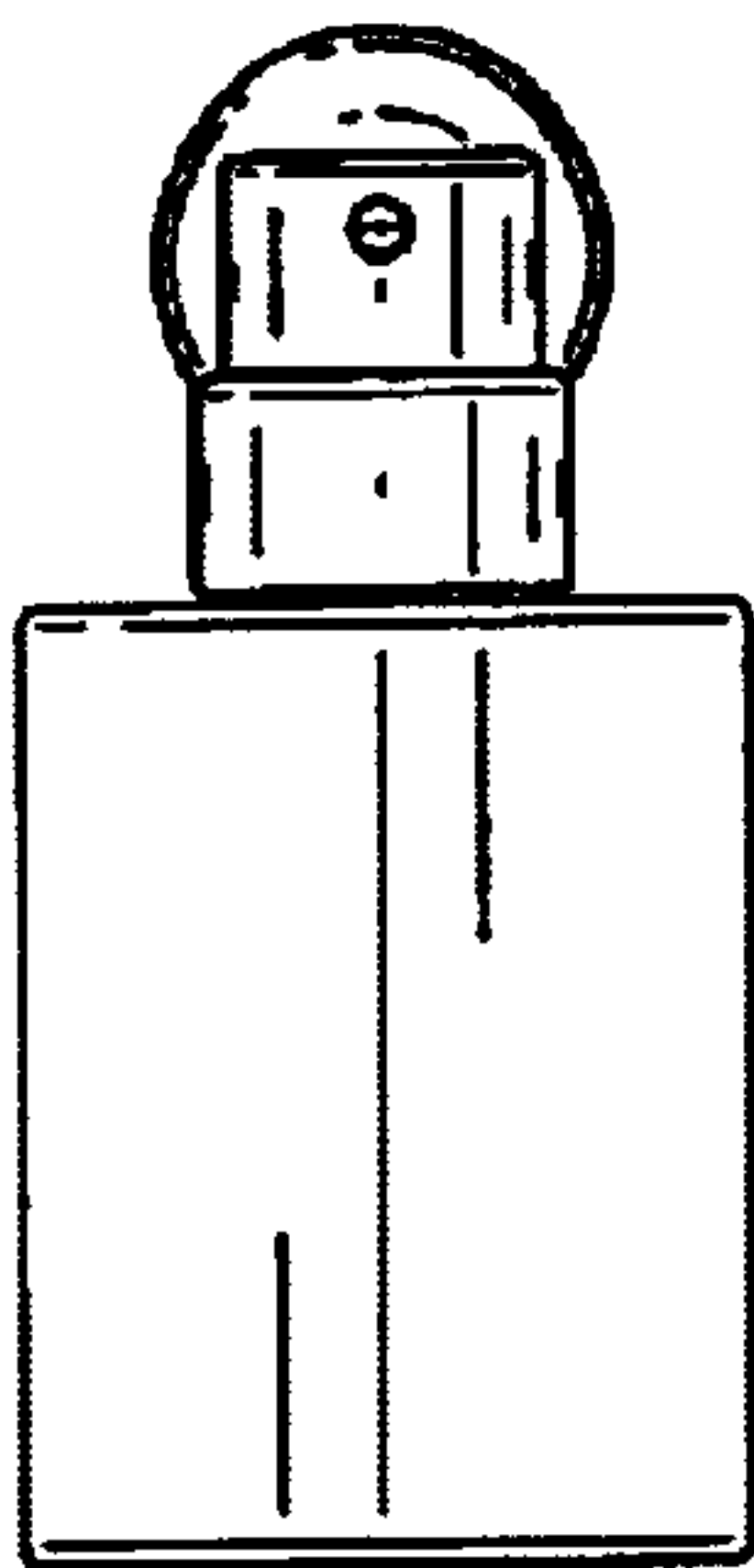


FIG. 4

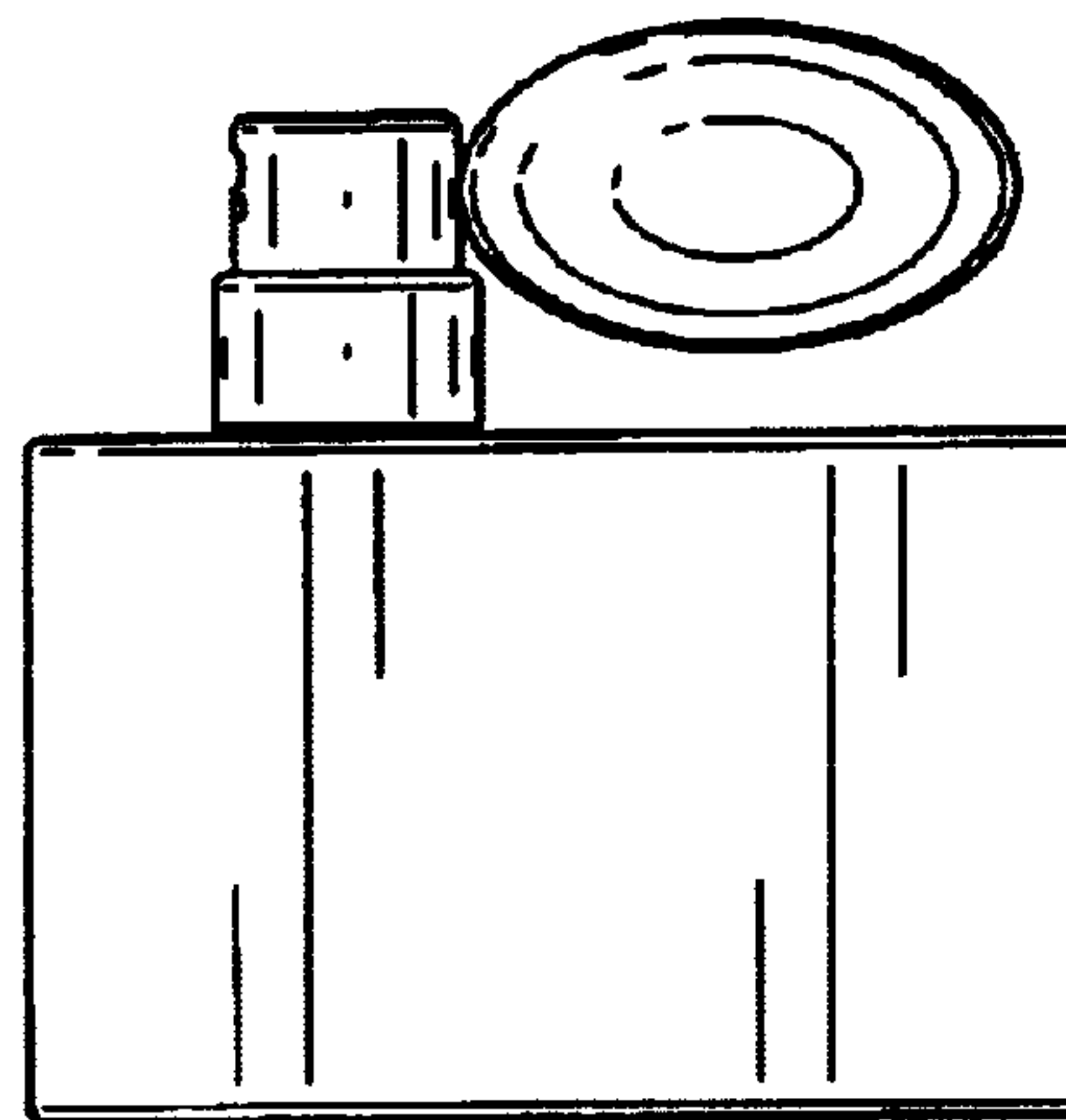


FIG. 2

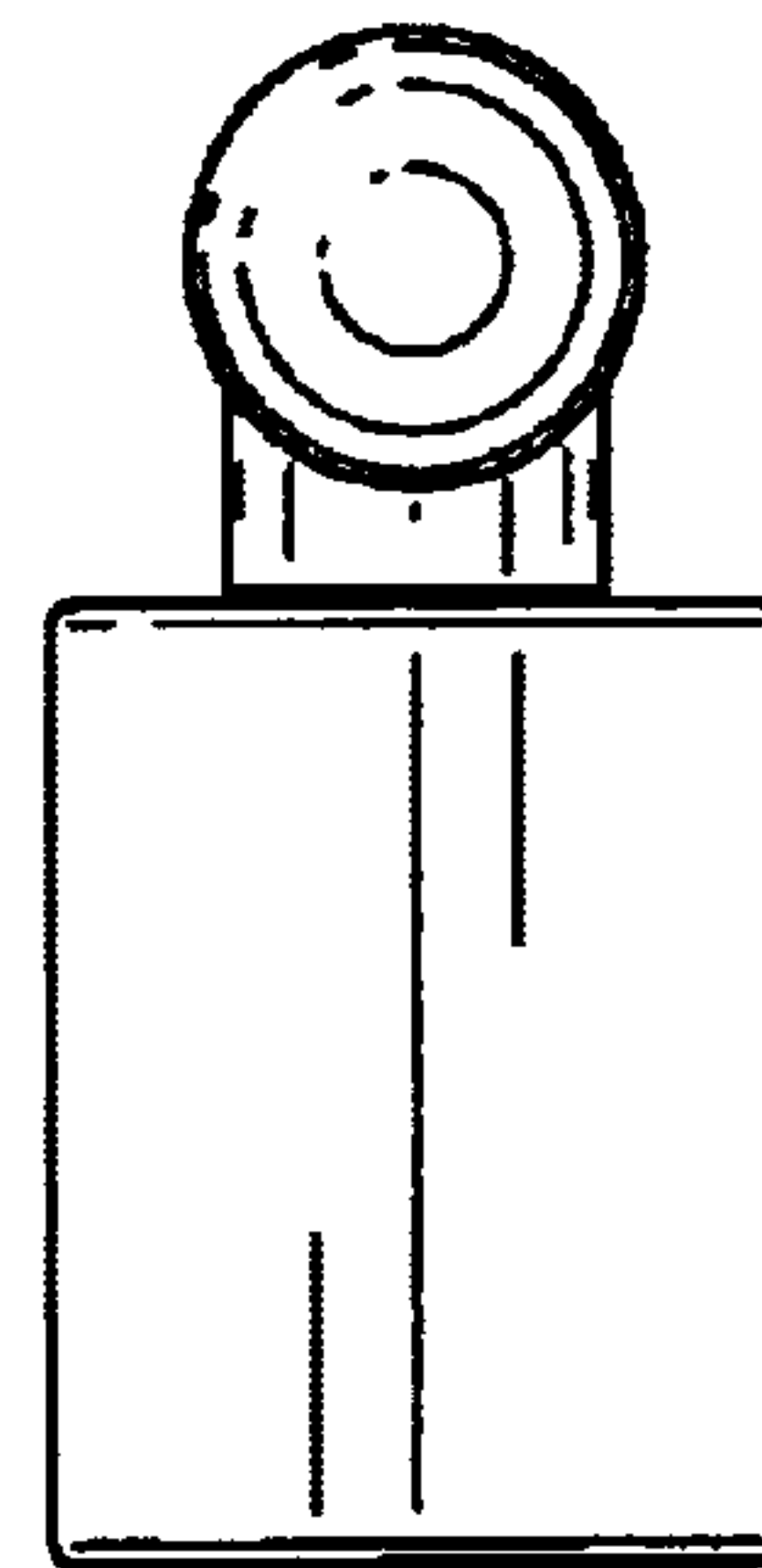


FIG. 3

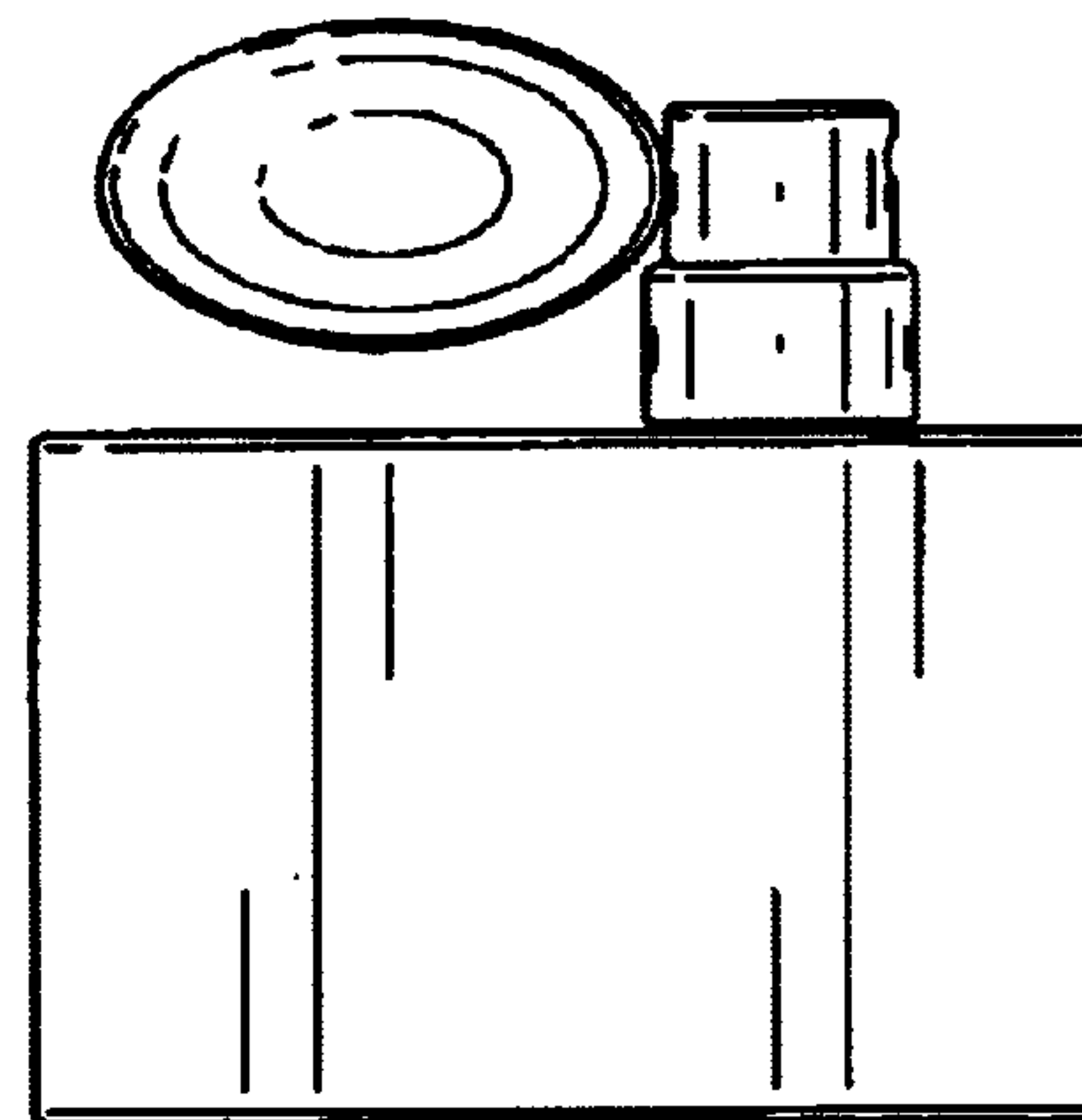


FIG. 5

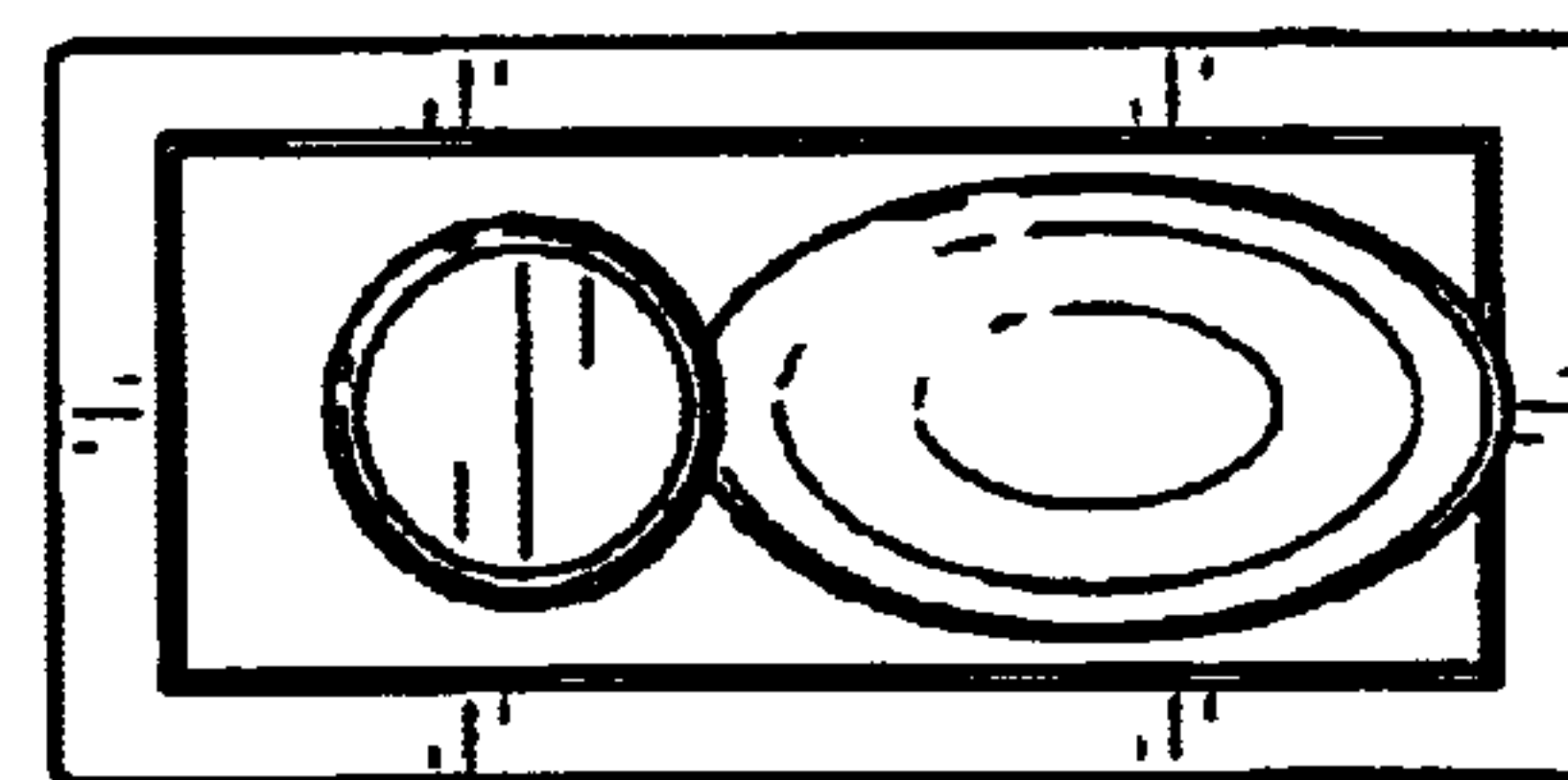


FIG. 6