

US00D525140S

(12) **United States Design Patent**
Scott

(10) **Patent No.:** **US D525,140 S**
(45) **Date of Patent:** **** Jul. 18, 2006**

(54) **BOTTLE**
(75) Inventor: **Matthew Scott**, New York, NY (US)
(73) Assignee: **Diageo North America, Inc.**, Norwalk, CT (US)
(**) Term: **14 Years**

EM 000319397-002 * 3/2005
EM 000319397-003 * 3/2005
EM 000319397-004 * 3/2005

* cited by examiner

Primary Examiner—Carol Rademaker

(74) *Attorney, Agent, or Firm*—Morgan, Lewis & Bockius LLP

(21) Appl. No.: **29/225,510**
(22) Filed: **Mar. 17, 2005**

(57) **CLAIM**

The ornamental design for a bottle, as shown and described.

(51) **LOC (8) Cl.** **09-01**
(52) **U.S. Cl.** **D9/552; D9/554**
(58) **Field of Classification Search** D9/600,
D9/631, 667, 682, 686, 688–691, 693, 500,
D9/502–505, 516, 529–530, 537–540, 544–545,
D9/549, 552, 554, 556, 558, 565, 572–574;
D7/509–512; 215/382–384, 396, 398; 220/660,
220/669, 675; 222/210, 212–213
See application file for complete search history.

DESCRIPTION

FIG. 1 is a perspective view of a first embodiment of a bottle of the new design;
FIG. 2 is a front elevation view thereof;
FIG. 3 is a left side elevation view thereof;
FIG. 4 is a back elevation view thereof;
FIG. 5 is a right side elevation view thereof;
FIG. 6 is a top plan view thereof;
FIG. 7 is a bottom plan view thereof;
FIG. 8 is a perspective view of a second embodiment of a bottle of the new design;
FIG. 9 is a front elevation view thereof;
FIG. 10 is a left side elevation view thereof;
FIG. 11 is a back elevation view thereof;
FIG. 12 is a right side elevation view thereof;
FIG. 13 is a top plan view thereof;
FIG. 14 is a bottom plan view thereof;
FIG. 15 is a perspective view of a third embodiment of a bottle of the new design;
FIG. 16 is a front elevation view thereof;
FIG. 17 is a left side elevation view thereof;
FIG. 18 is a back elevation view thereof;
FIG. 19 is a right side elevation view thereof;
FIG. 20 is a top plan view thereof; and,
FIG. 21 is a bottom plan view thereof.
Each of the embodiments of the new design is preferably glass, which may be substantially opaque or substantially translucent, but is preferably substantially transparent.
The broken lines shown in the drawings are for illustrative purposes only and form no part of the claimed design.

(56) **References Cited**
U.S. PATENT DOCUMENTS

D332,225 S	*	1/1993	Perret	D9/553 X
D353,998 S	*	1/1995	Kotyuk, Jr.	D9/503
D371,306 S	*	7/1996	Mansau	D9/554 X
D379,153 S	*	5/1997	Richardson	D9/537
D379,154 S	*	5/1997	Cox	D9/540
D381,272 S	*	7/1997	Coons	D9/540
D385,796 S	*	11/1997	Richardson	D9/537
D414,112 S	*	9/1999	Waggaman et al.	D9/552 X
D447,061 S	*	8/2001	Peek	D9/549
D453,686 S	*	2/2002	Petursdottir	D9/570
D458,144 S	*	6/2002	Trabal	D9/554
D461,410 S	*	8/2002	Zutler	D9/500
D461,417 S	*	8/2002	Jerome	D9/537
D463,289 S	*	9/2002	Haake et al.	D9/554
D463,734 S	*	10/2002	Gobe	D9/691
D504,619 S	*	5/2005	Bretz et al.	D9/667
D508,856 S	*	8/2005	Boon et al.	D9/545
D509,433 S	*	9/2005	Trayser et al.	D9/501

FOREIGN PATENT DOCUMENTS

EM 000319397-001 * 3/2005

1 Claim, 9 Drawing Sheets



FIG. 1

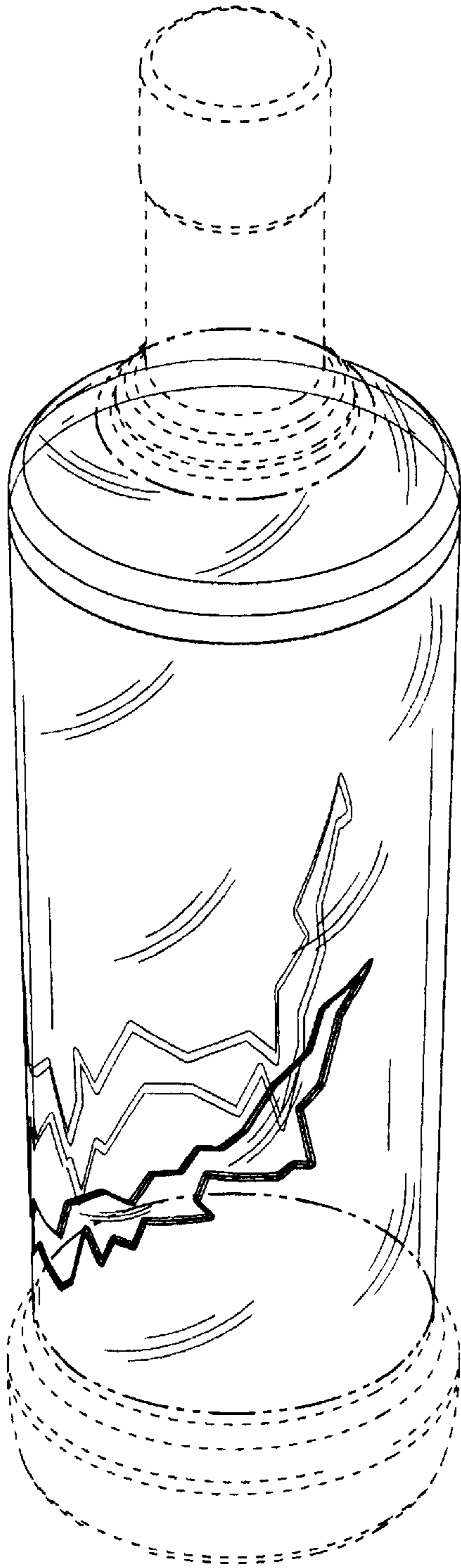


FIG. 2



FIG. 3

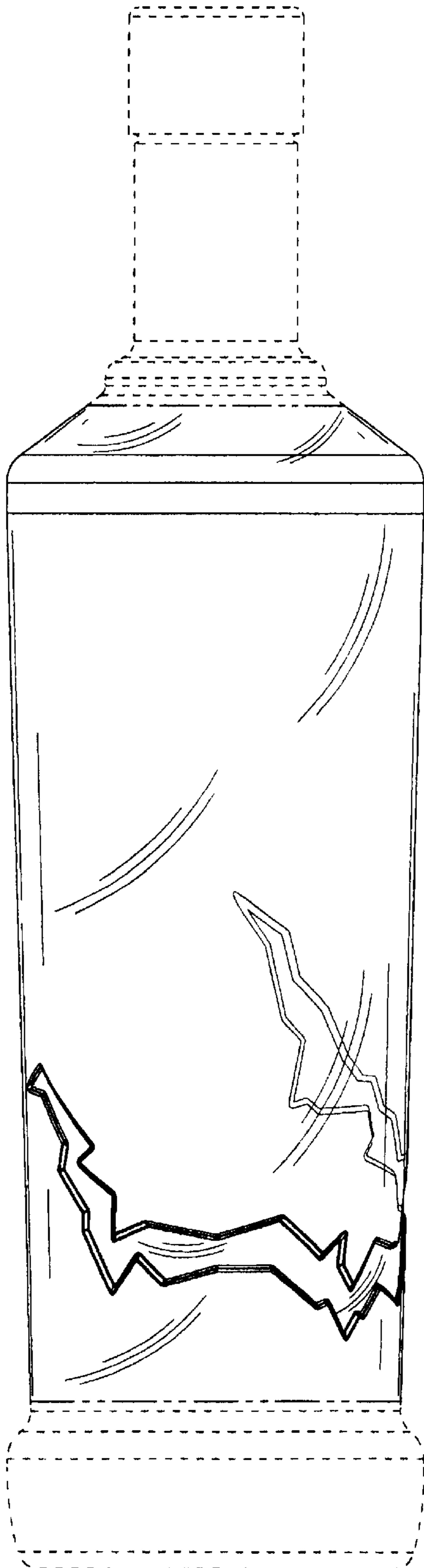
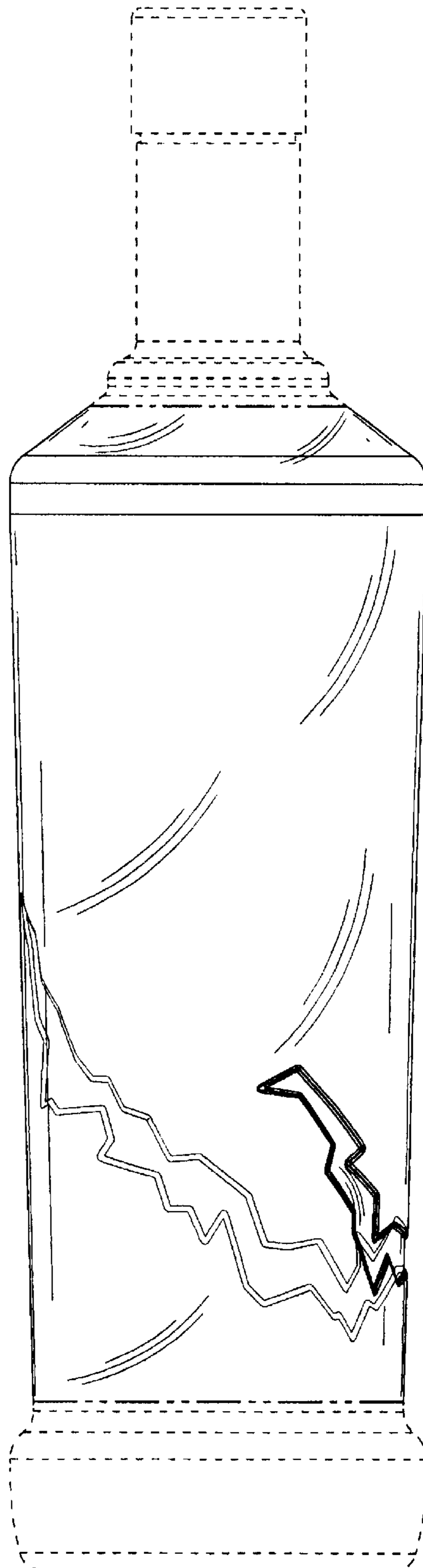


FIG. 4



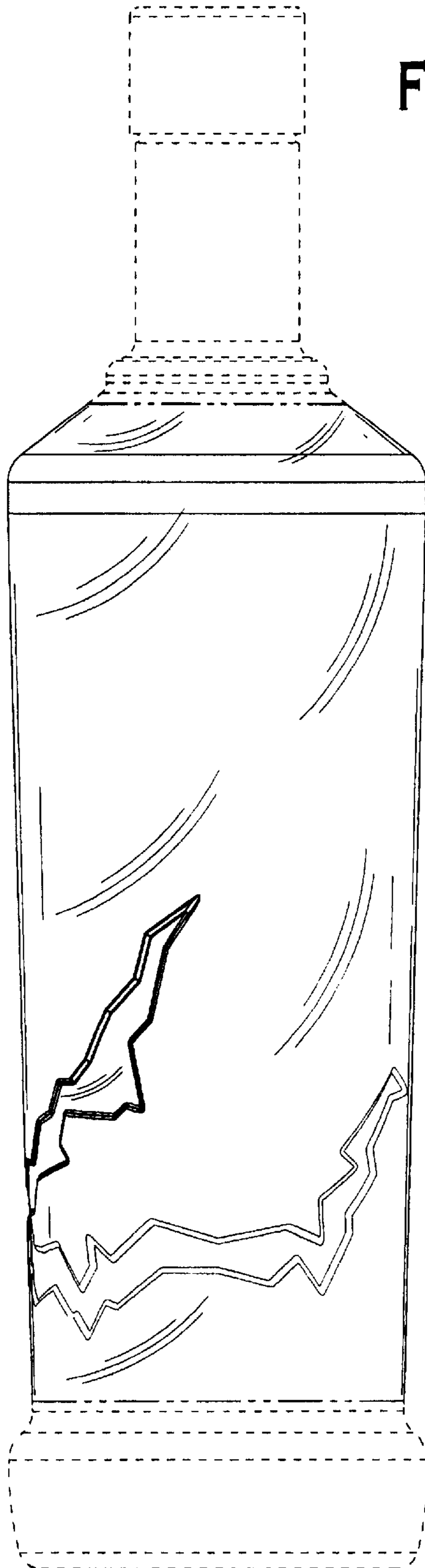


FIG. 5

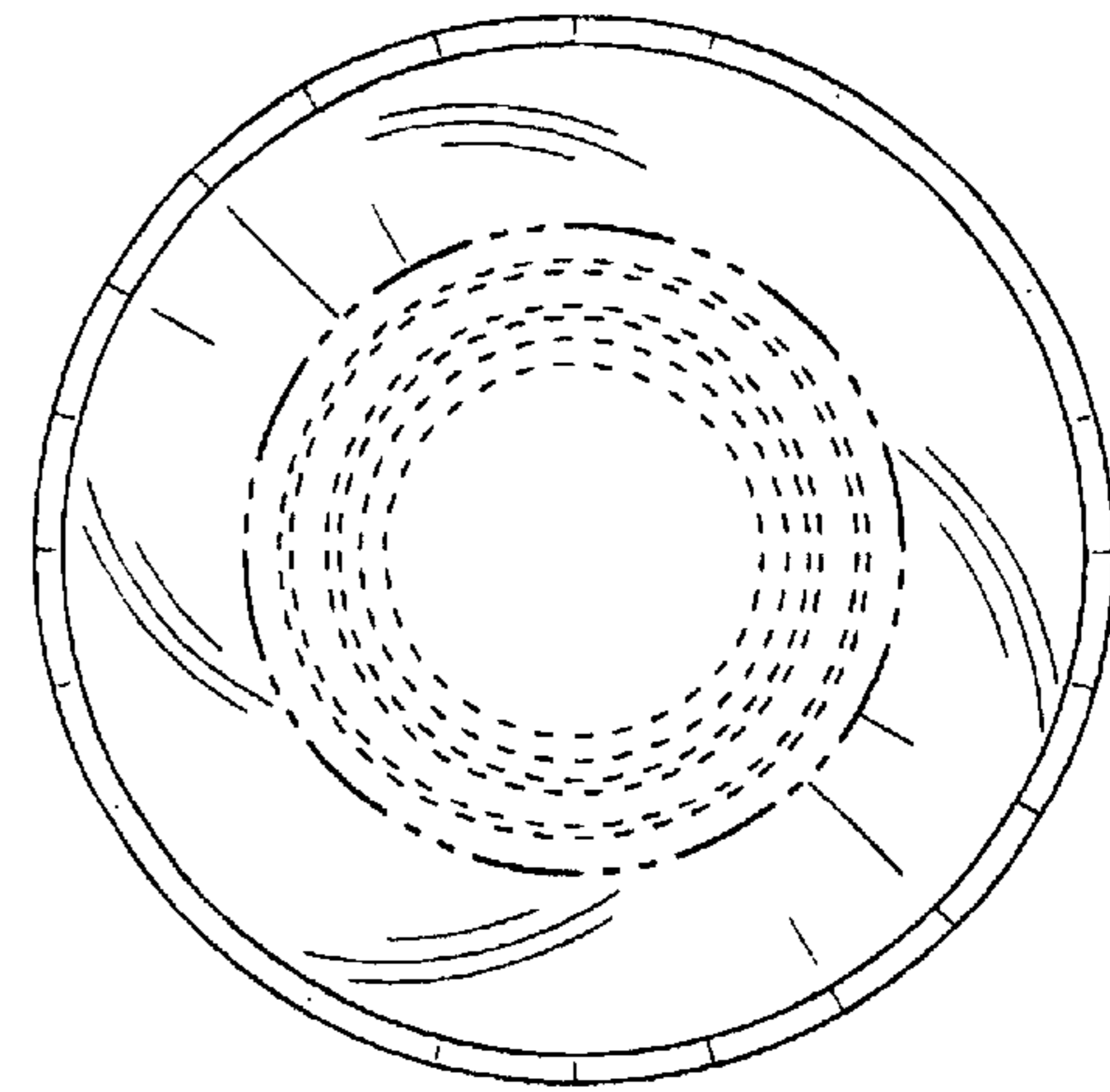


FIG. 6

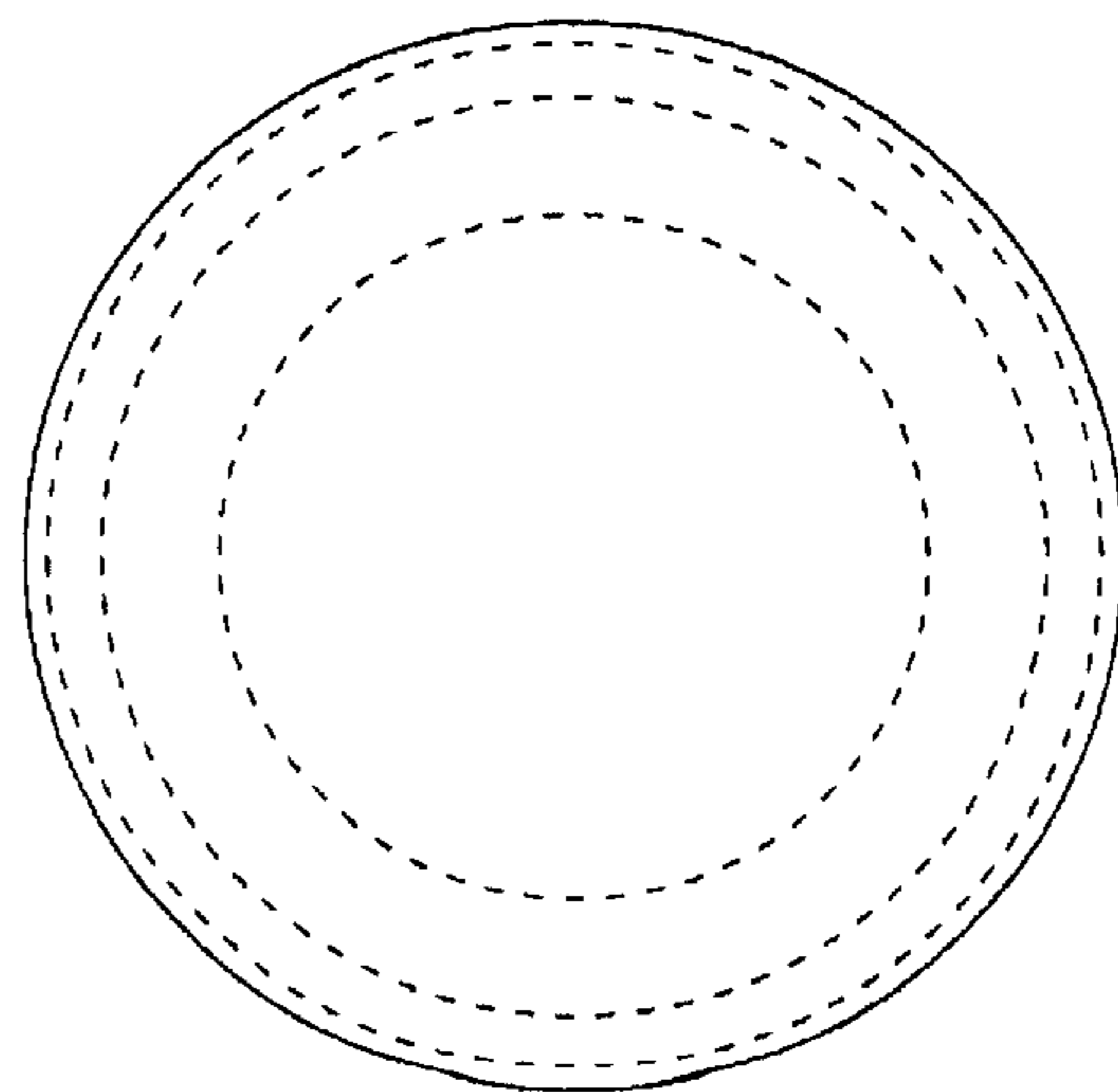


FIG. 7

FIG. 8

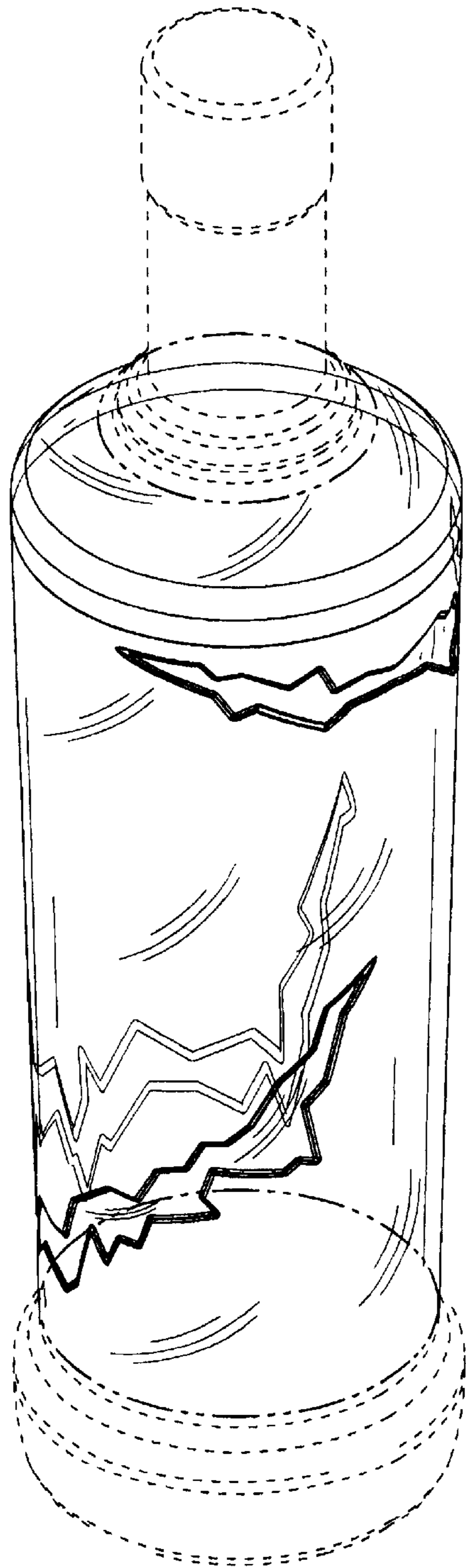


FIG. 9



FIG. 10

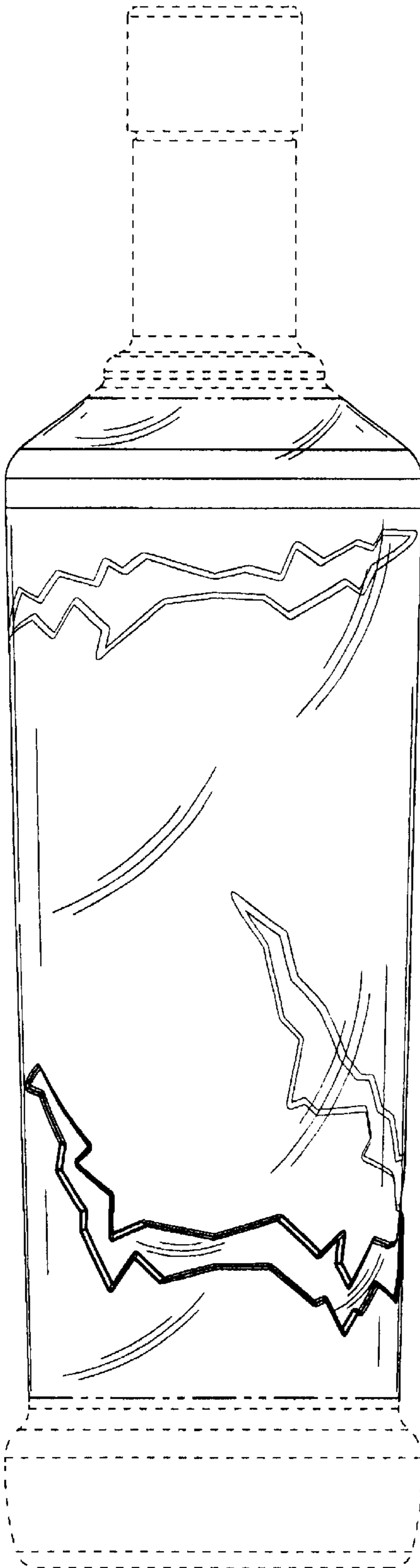
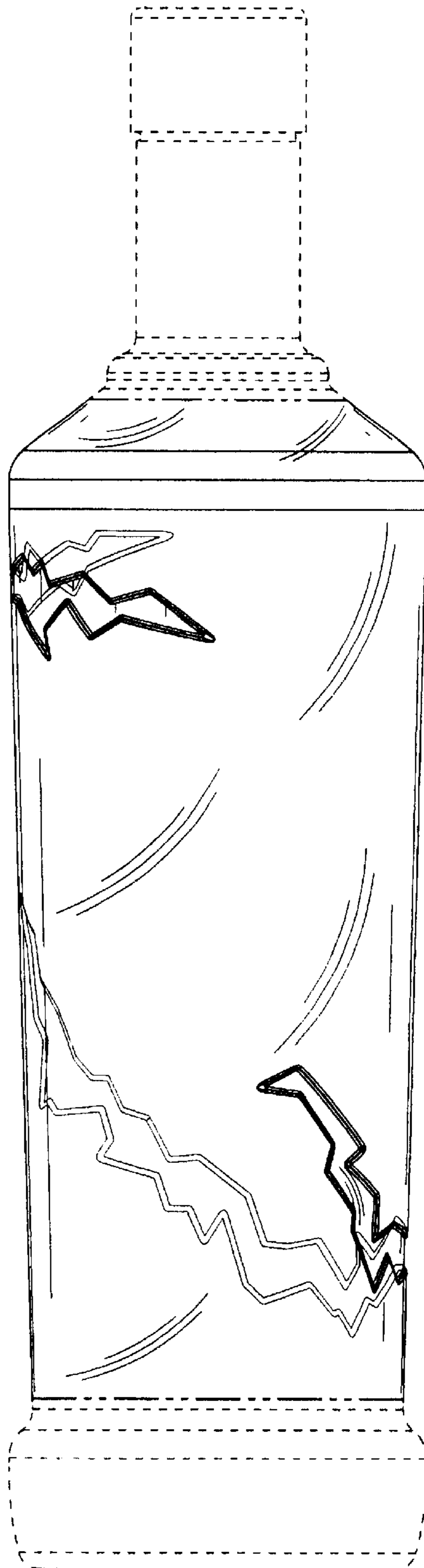


FIG. 11



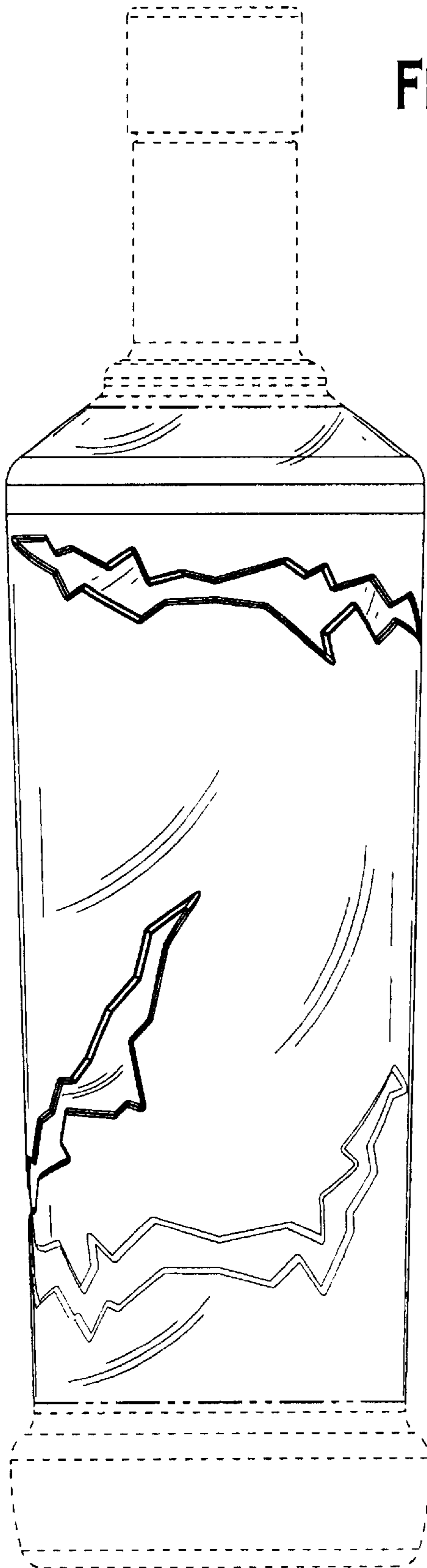


FIG. 12

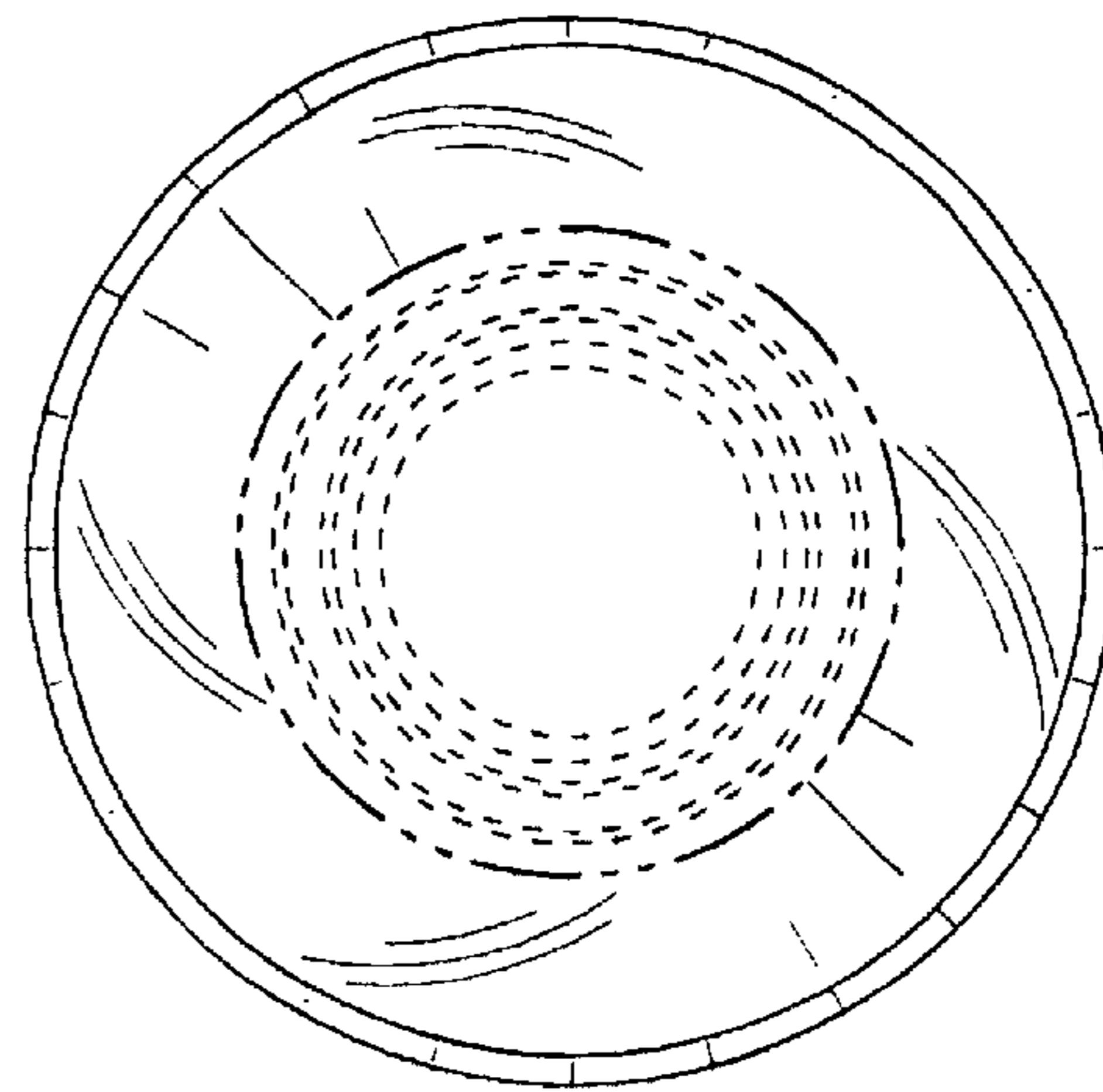


FIG. 13

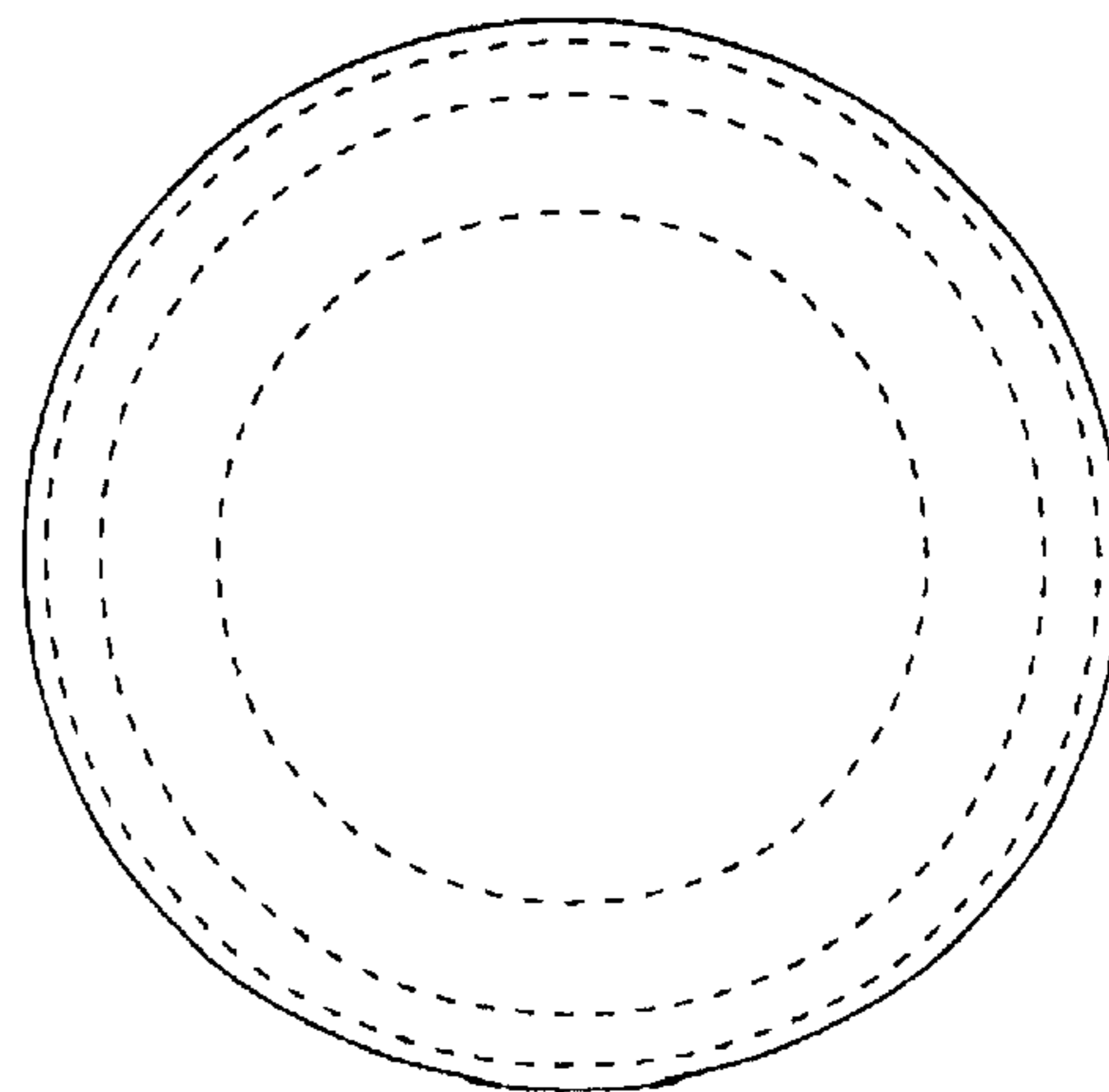


FIG. 14

FIG. 15

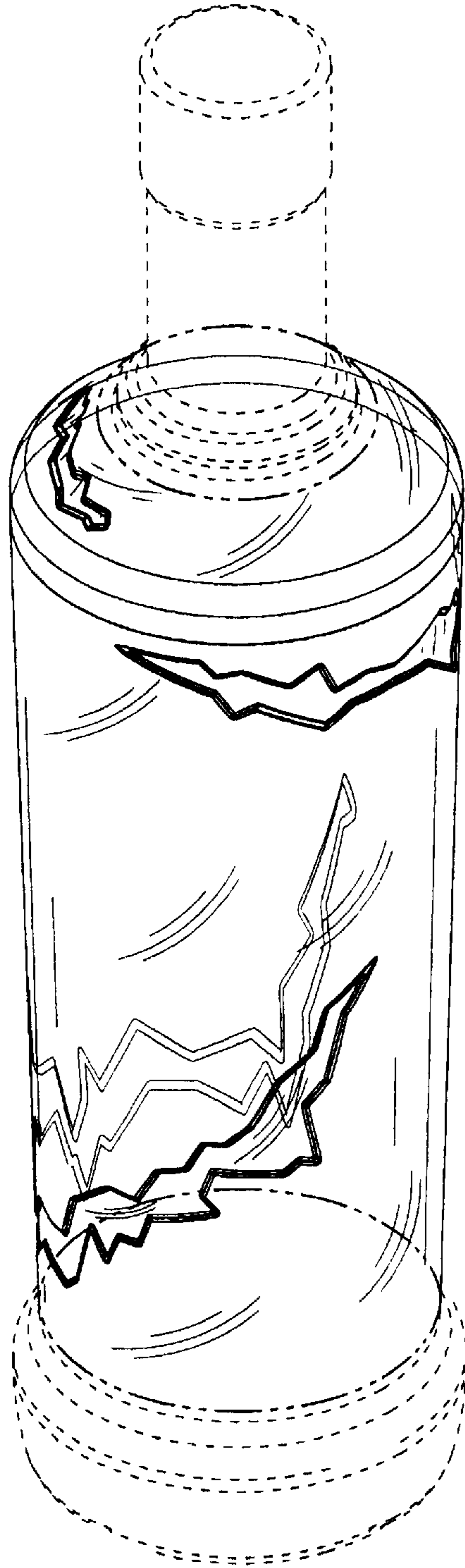


FIG. 16



FIG. 17

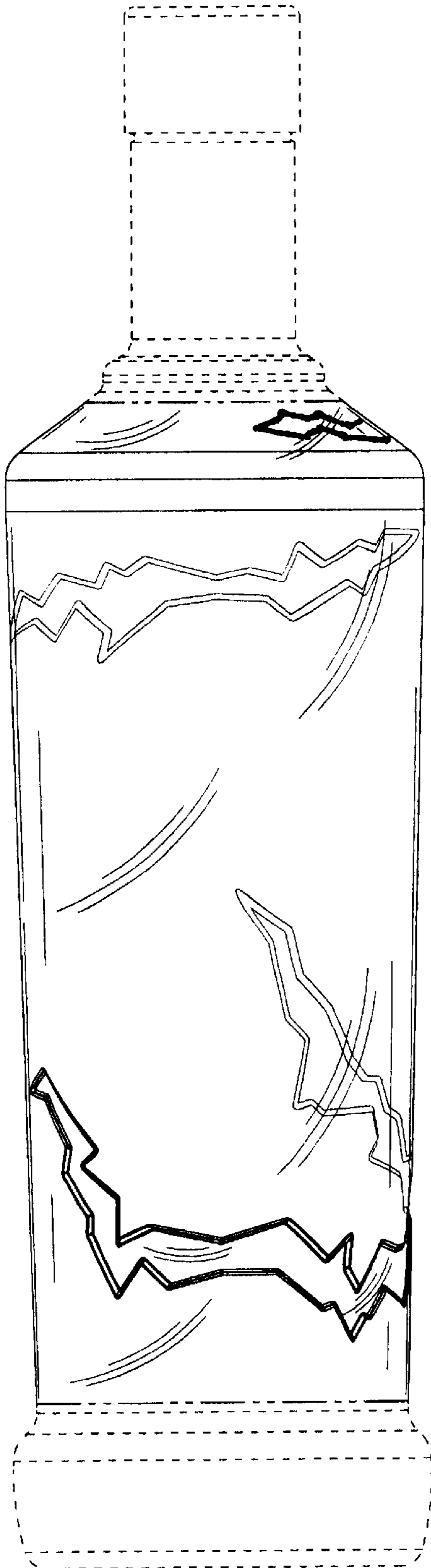
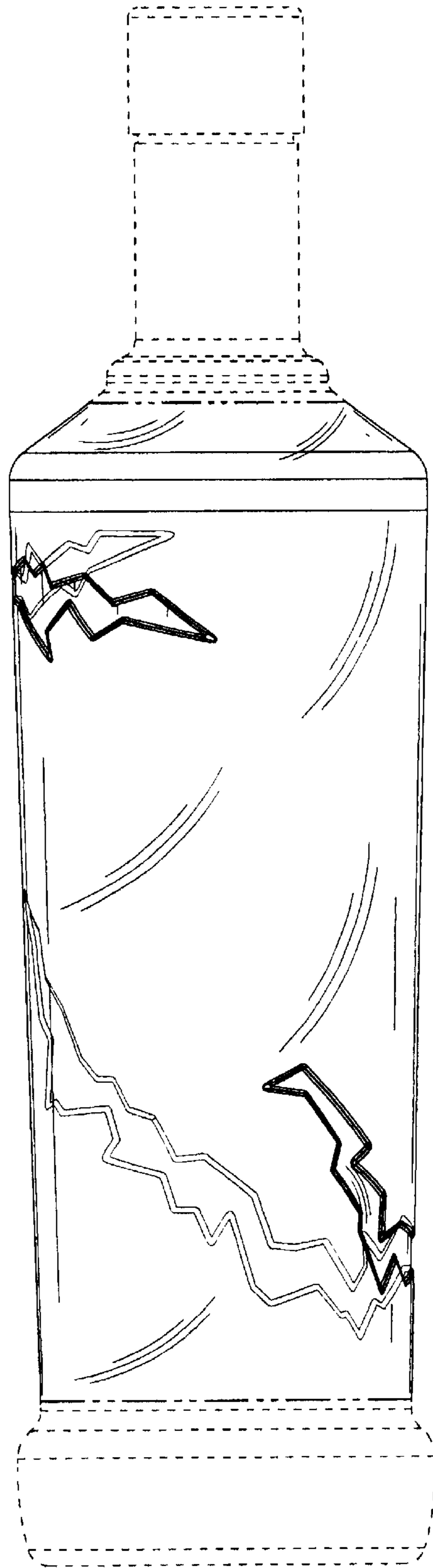


FIG. 18



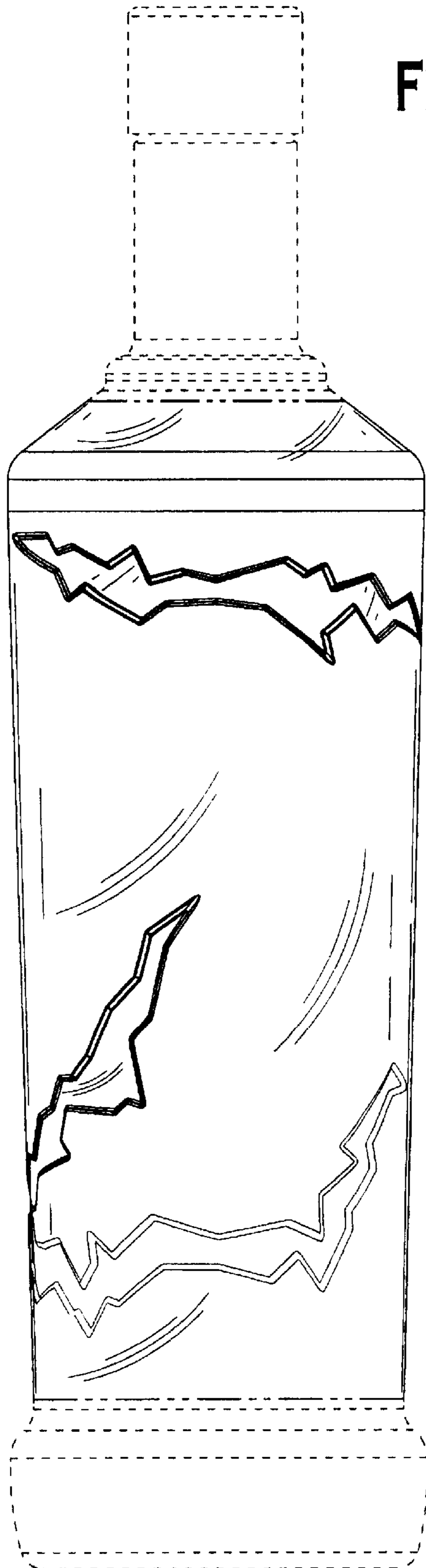


FIG. 19

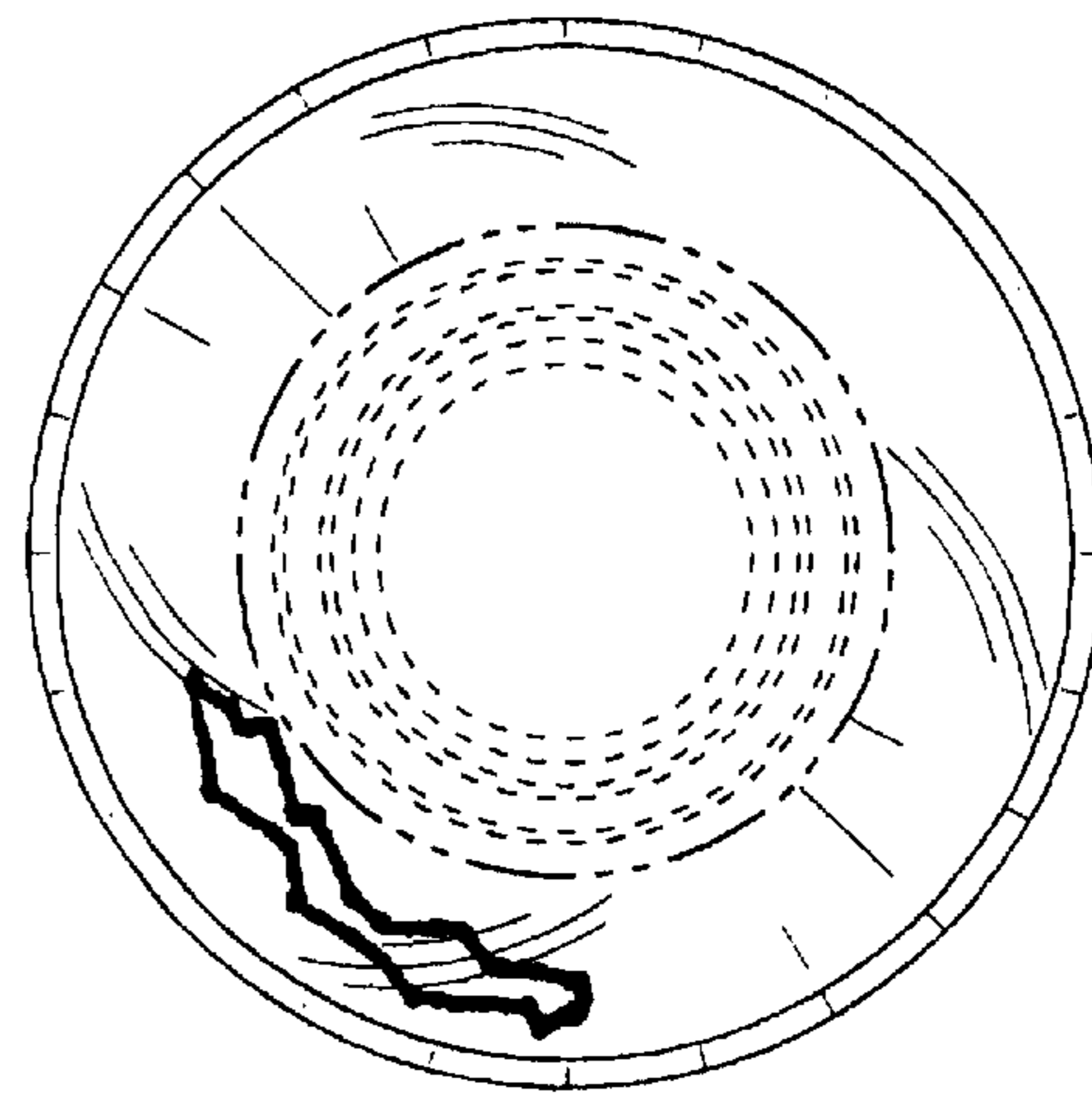


FIG. 20

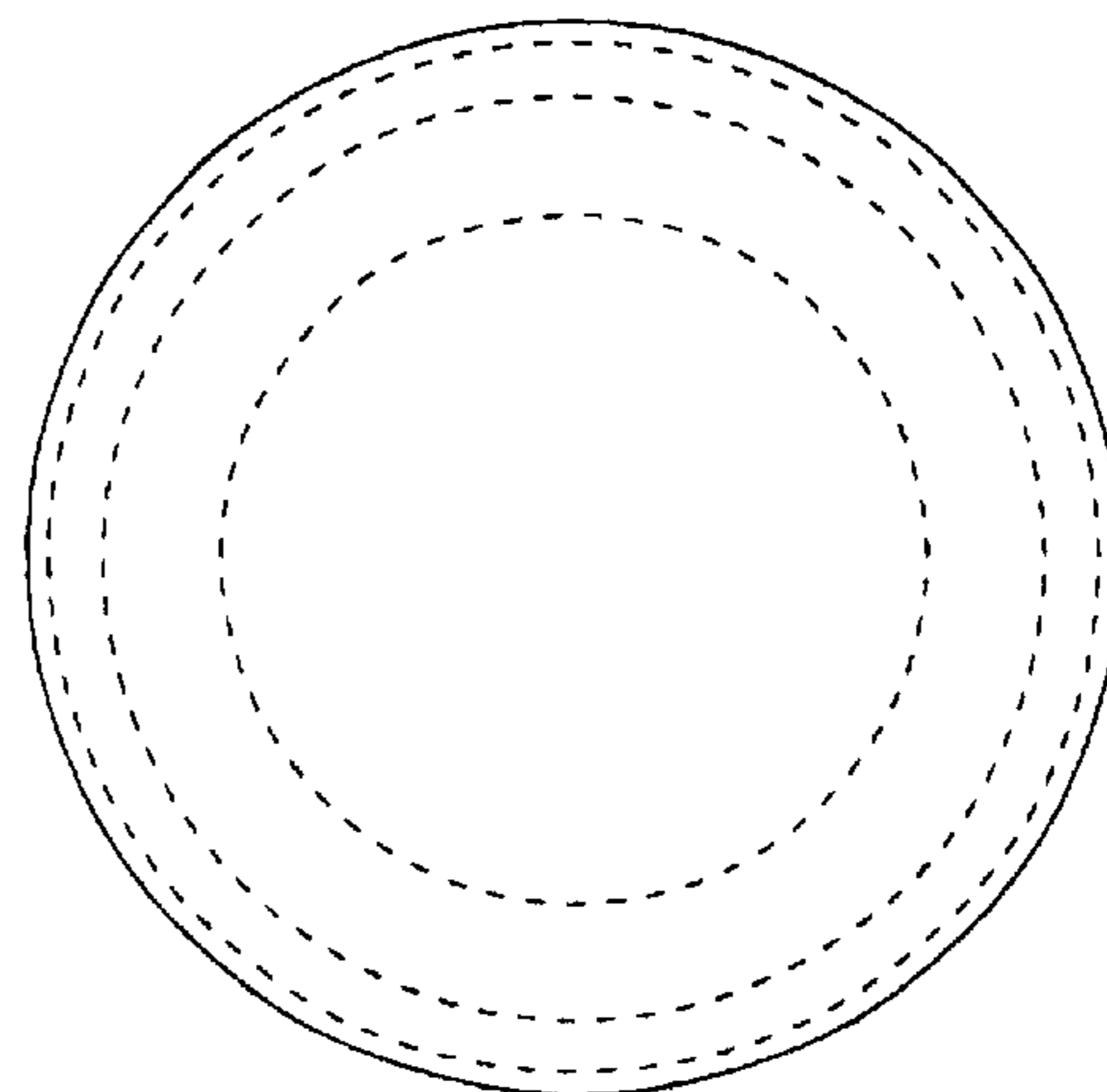


FIG. 21