



US00D525123S

(12) **United States Design Patent**
Walters et al.

(10) **Patent No.: US D525,123 S**
(45) **Date of Patent: ** Jul. 18, 2006**

- (54) **TRIGGER PUMP PACKAGE**
- (75) Inventors: **Peter J. Walters**, Barrington, IL (US);
Jason A. Ksiazk, Algonquin, IL (US);
Sean H. Cho, South Elgin, IL (US);
Paul E. Hallman, Lakewood, IL (US)
- (73) Assignee: **Seaquist Perfect Dispensing Foreign, Inc.**, Cary, IL (US)
- (**) Term: **14 Years**
- (21) Appl. No.: **29/218,428**
- (22) Filed: **Nov. 29, 2004**
- (51) **LOC (8) Cl. 09-07**
- (52) **U.S. Cl. D9/448**
- (58) **Field of Classification Search D9/685,**
D9/682, 448, 447, 434; D23/229, 227, 226,
D23/223, 213; 239/448, 331; 222/385, 383.3,
222/383.2, 323, 383.1, 324, 304, 1, 153.11-14
See application file for complete search history.

- D243,333 S 2/1977 Tada
- D244,531 S 5/1977 Klingaman
- D244,991 S 7/1977 Weckman
- D247,302 S 2/1978 Federico
- D247,366 S 2/1978 Jones
- 4,077,548 A 3/1978 Beard
- 4,077,549 A 3/1978 Beard
- 4,101,057 A 7/1978 LoMaglio
- 4,120,430 A 10/1978 French
- D251,381 S 3/1979 Reed
- D256,271 S 8/1980 Tada
- D256,946 S 9/1980 Campbell
- D258,800 S 4/1981 Halbeisen
- D259,467 S 6/1981 Halbeisen
- D259,541 S 6/1981 Halbeisen
- 4,278,187 A 7/1981 Luedtke
- 4,361,256 A 11/1982 Corsette
- D272,081 S 1/1984 Suhajda

(Continued)

FOREIGN PATENT DOCUMENTS

WO WO 97/02896 1/1997

Primary Examiner—Robert M. Spear
Assistant Examiner—Susan Bennett Hattan

(56) **References Cited**

U.S. PATENT DOCUMENTS

- 2,048,142 A 7/1936 Santurello
- 2,753,578 A 7/1956 Lebet
- 2,772,031 A 11/1956 Roselund
- 3,061,202 A 10/1962 Tyler
- 3,083,871 A 4/1963 Jepson
- 3,650,473 A 3/1972 Malone
- 3,664,556 A 5/1972 Perry
- D226,712 S 4/1973 Tada
- 3,770,206 A 11/1973 Tada
- 3,797,749 A 3/1974 Tada
- D239,372 S 3/1976 Brooks
- D240,036 S 5/1976 Tada
- 3,970,221 A 7/1976 Fleischer
- 3,973,700 A 8/1976 Schmidt
- D241,543 S 9/1976 Tada
- 3,986,644 A 10/1976 Grogan
- D242,351 S 11/1976 Tada
- 3,995,774 A 12/1976 Coopridner
- 3,995,776 A 12/1976 Micallef
- D243,180 S 1/1977 Federico

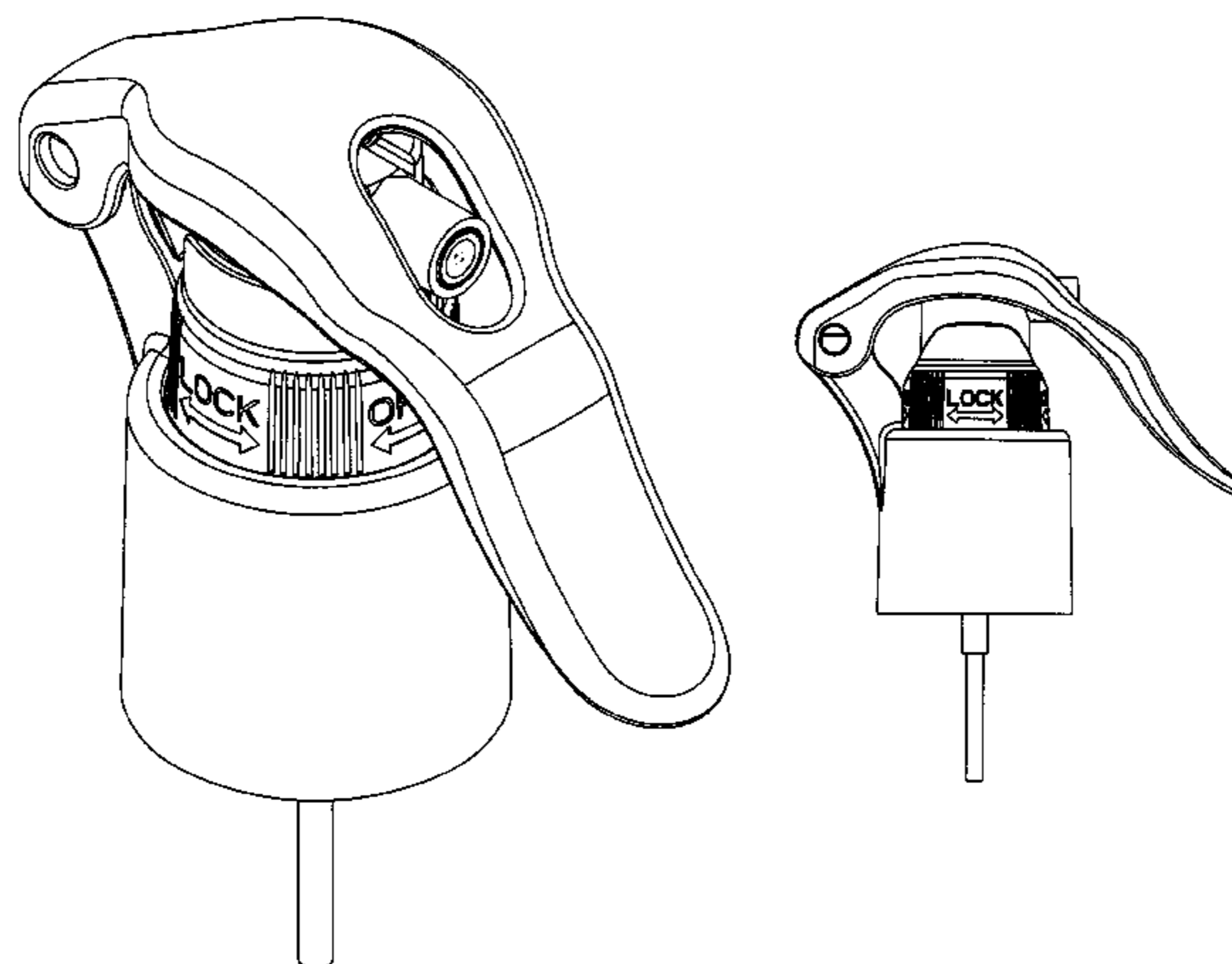
(57) **CLAIM**

The ornamental design for a trigger pump package, as shown and described.

DESCRIPTION

FIG. 1 is an isometric view of our design for a trigger pump package, shown in the opened position, FIG. 2 is a left-side view thereof; FIG. 3 is a front view thereof; FIG. 4 is a rear view thereof; FIG. 5 is a top view thereof; FIG. 6 is and isometric view of my new design for a trigger pump package, shown in the locked position; FIG. 7 is a left-side view thereof; FIG. 8 is a front view thereof; FIG. 9 is a rear view thereof; and, FIG. 10 is a top view thereof.

1 Claim, 4 Drawing Sheets



US D525,123 S

Page 2

U.S. PATENT DOCUMENTS

4,434,917 A	3/1984	Saito		D373,313 S	9/1996	Lin	
4,436,225 A	3/1984	Libit		5,839,616 A	11/1998	Irwin	
D275,078 S	8/1984	Wassergord		D421,718 S	3/2000	Durliat	
D285,713 S	9/1986	Garneau		D433,943 S	11/2000	Keung	
D314,916 S	2/1991	Brooks		D435,792 S	1/2001	Peloquin	
D321,315 S	11/1991	Halm		6,168,050 B1	1/2001	Battegazzore	
D327,222 S	6/1992	Fuchs		D454,306 S *	3/2002	Sweeton et al.	D9/448
D331,365 S *	12/1992	Davis	D9/447	D456,262 S	4/2002	Cummings	
D332,392 S	1/1993	Foster		6,364,171 B1	4/2002	Chalupsky	
D332,652 S	1/1993	Foster		D459,786 S	7/2002	Sweeton	
D342,898 S *	1/1994	Cane	D9/447	D476,558 S	7/2003	Cho	
D373,312 S	9/1996	Lin		D481,305 S	10/2003	Walters	

* cited by examiner

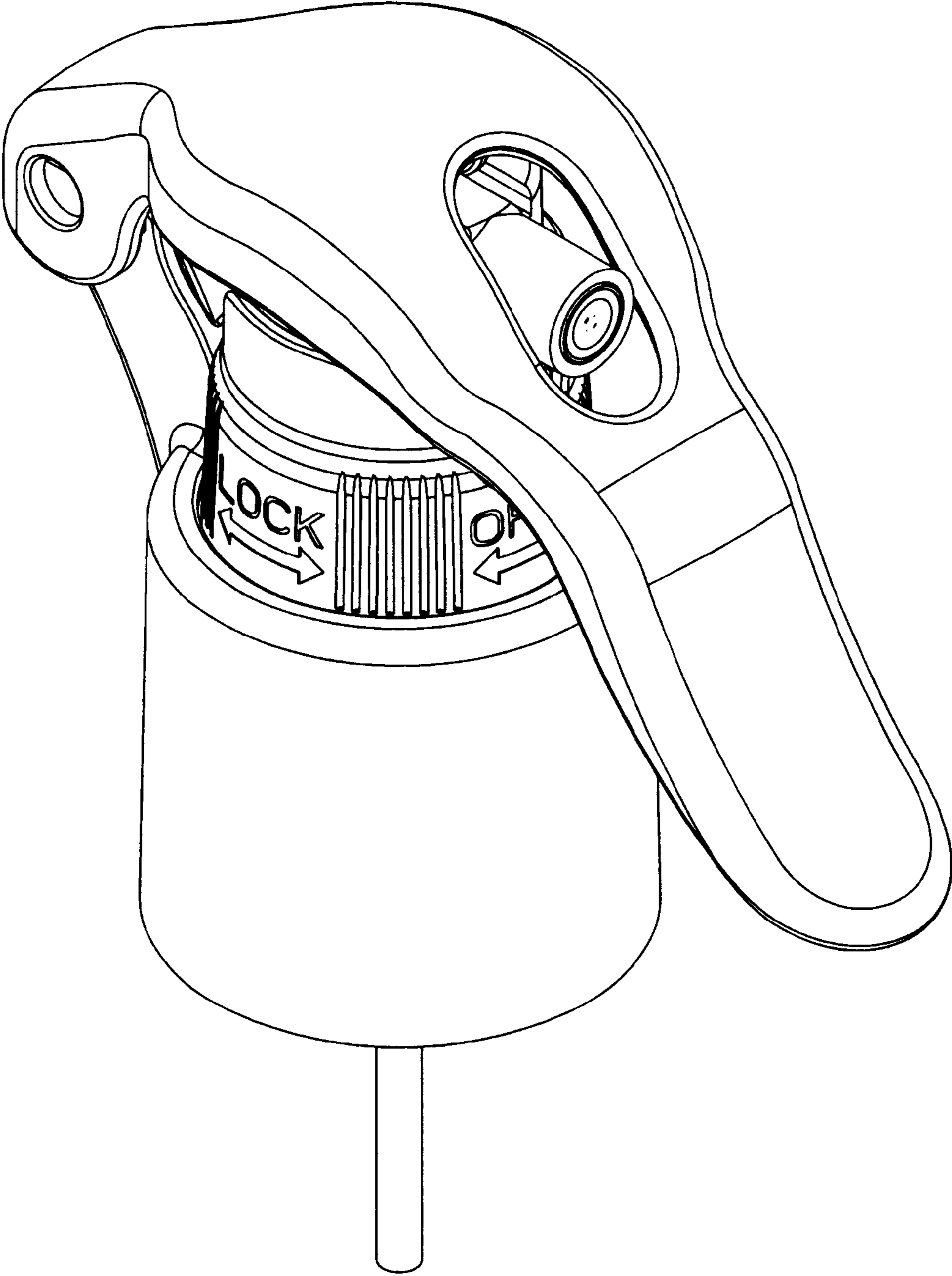


FIG. 1

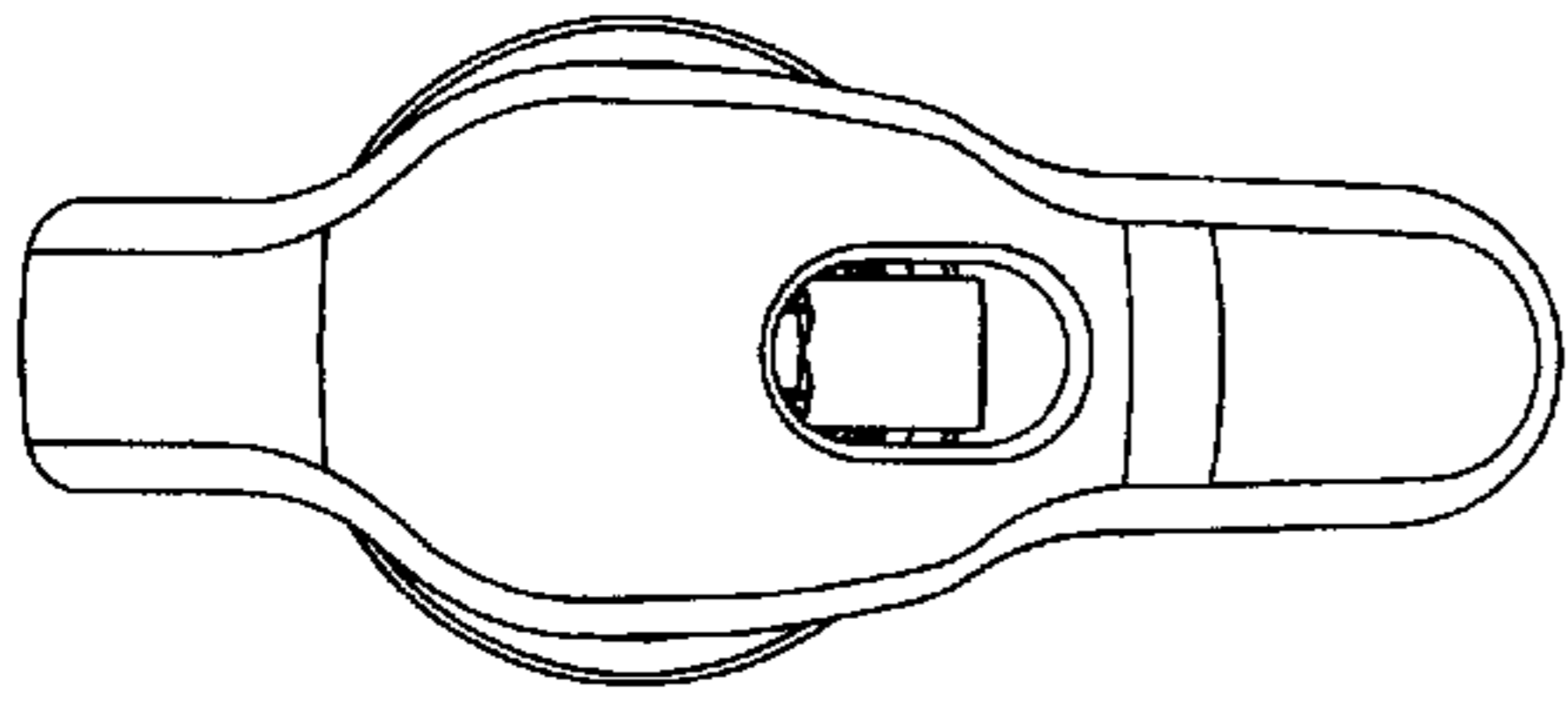


FIG. 5

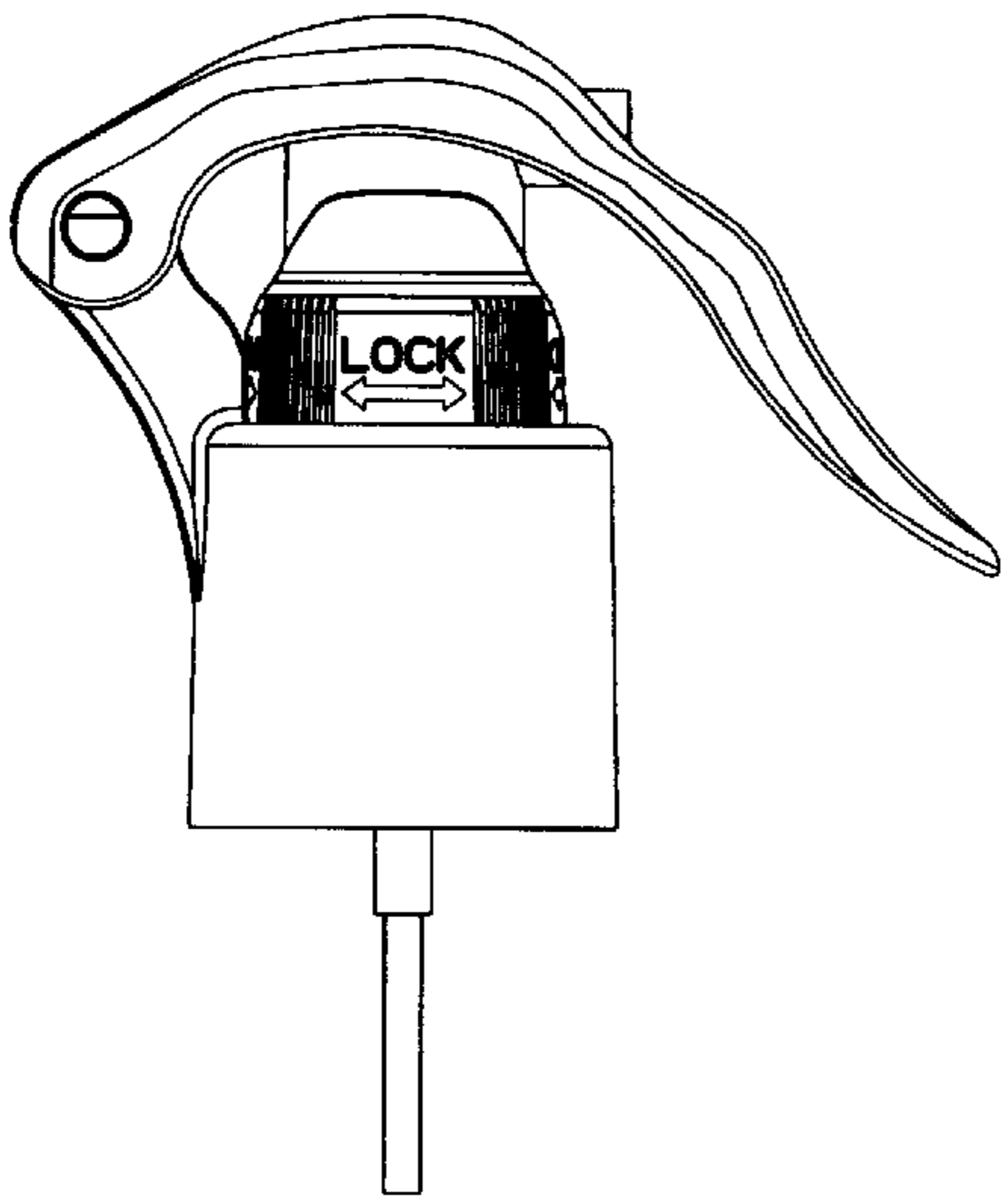


FIG. 2

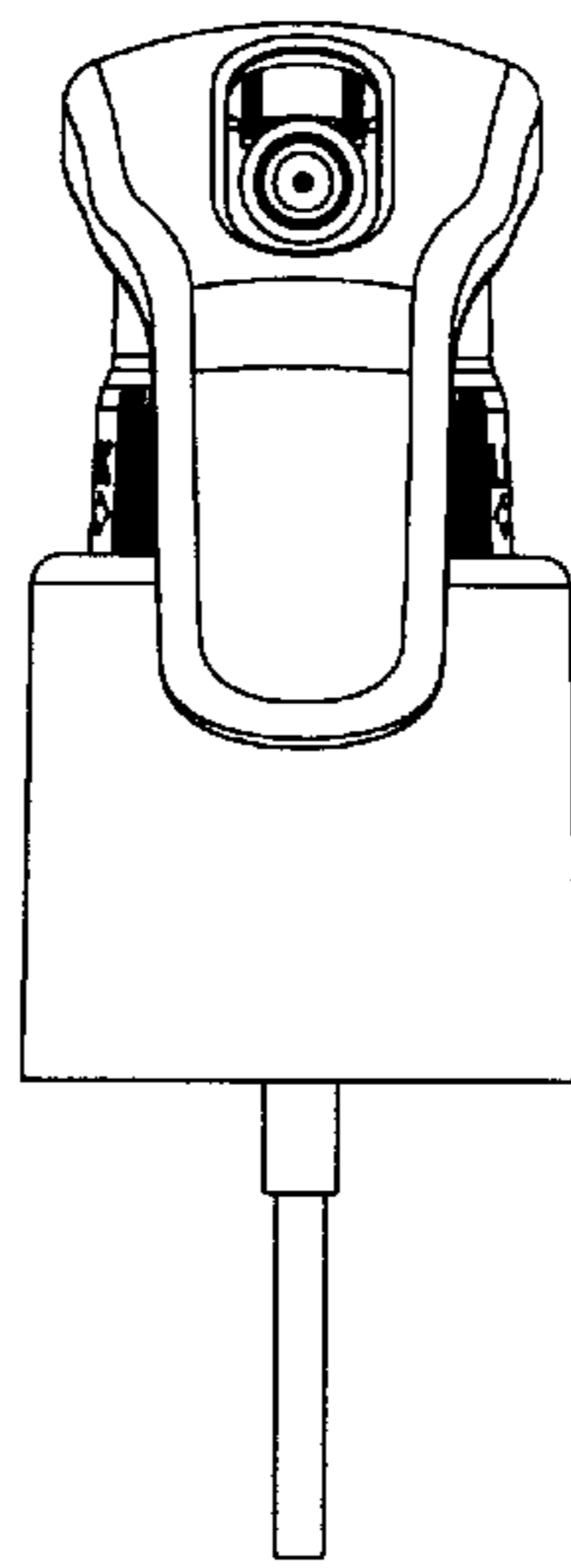


FIG. 3

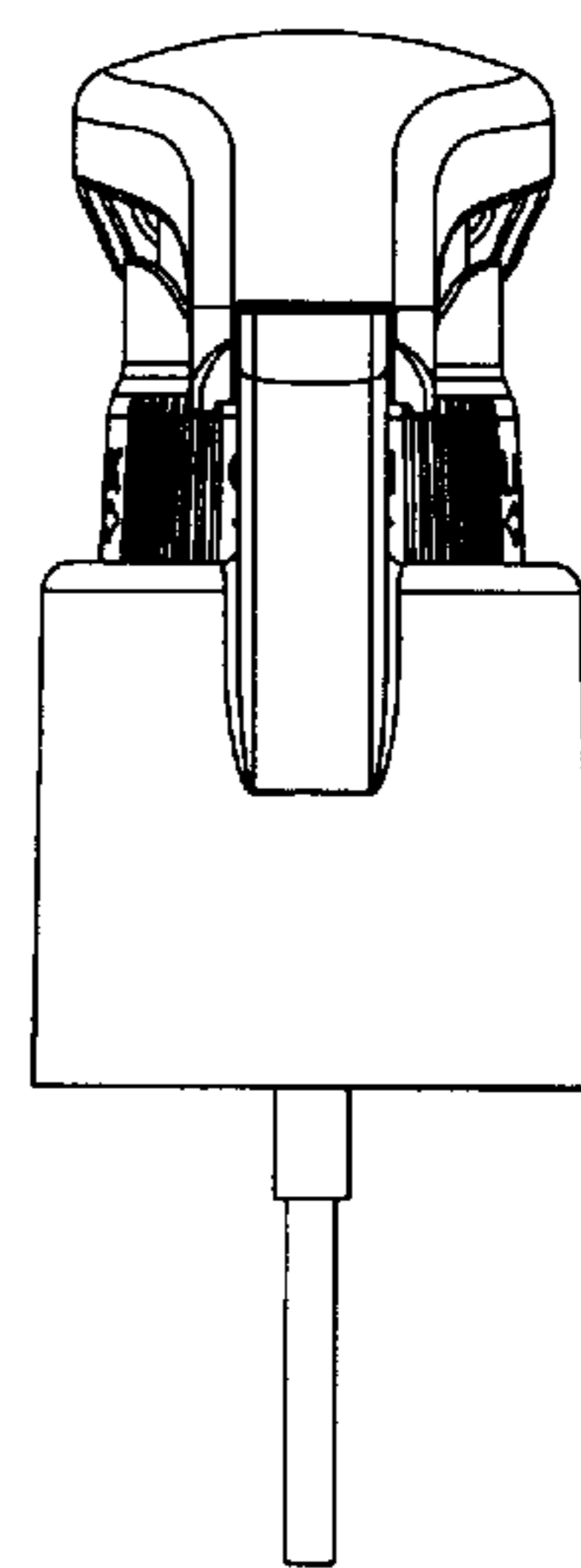


FIG. 4

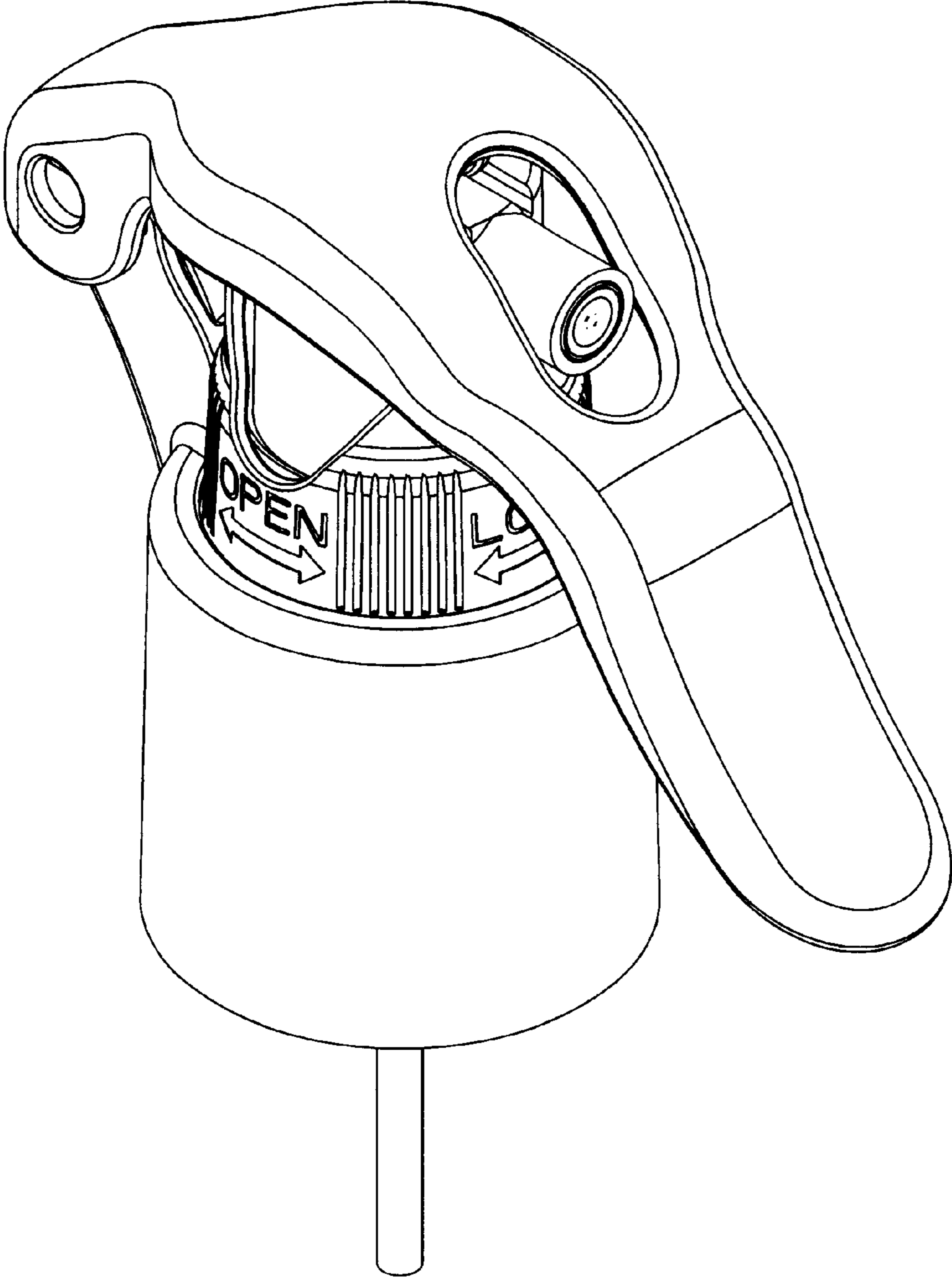


FIG. 6

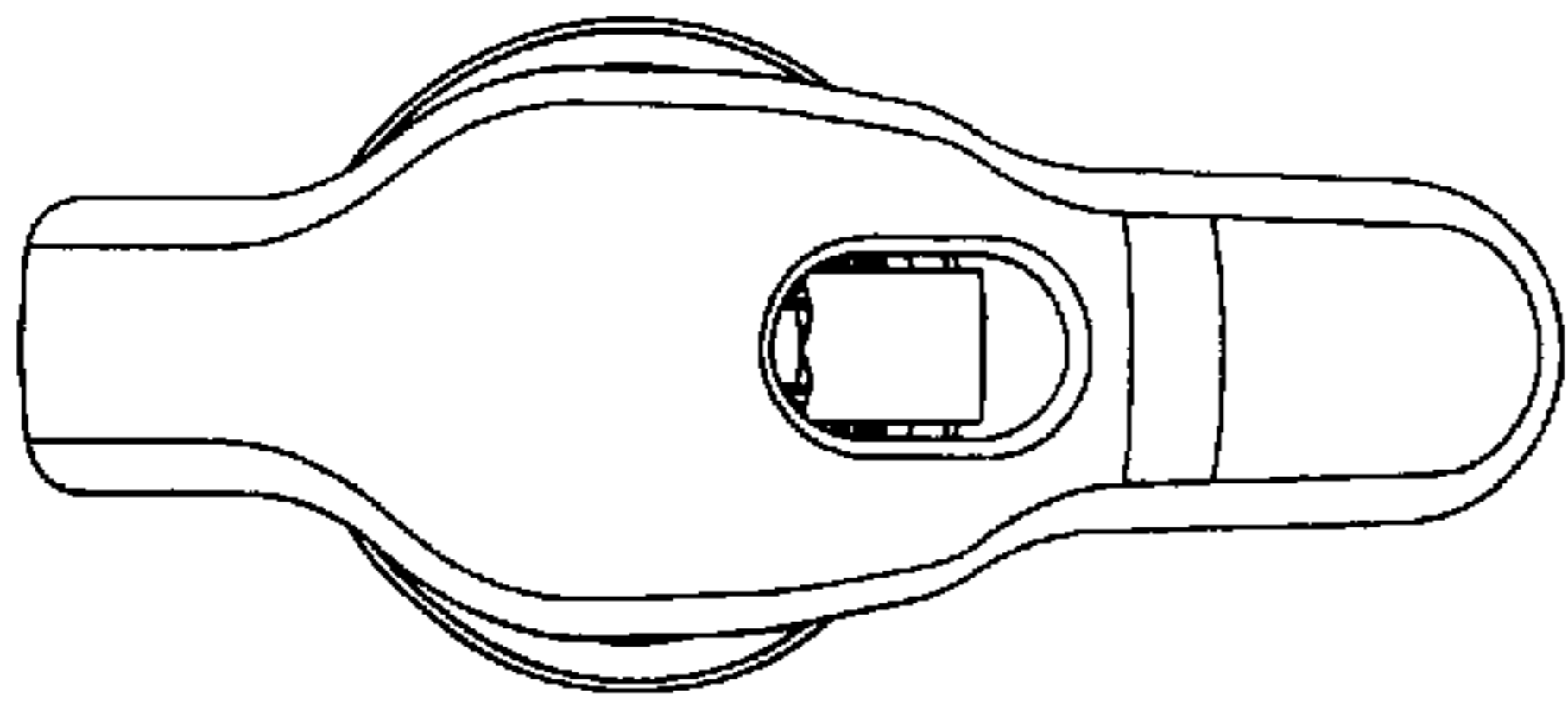


FIG. 10

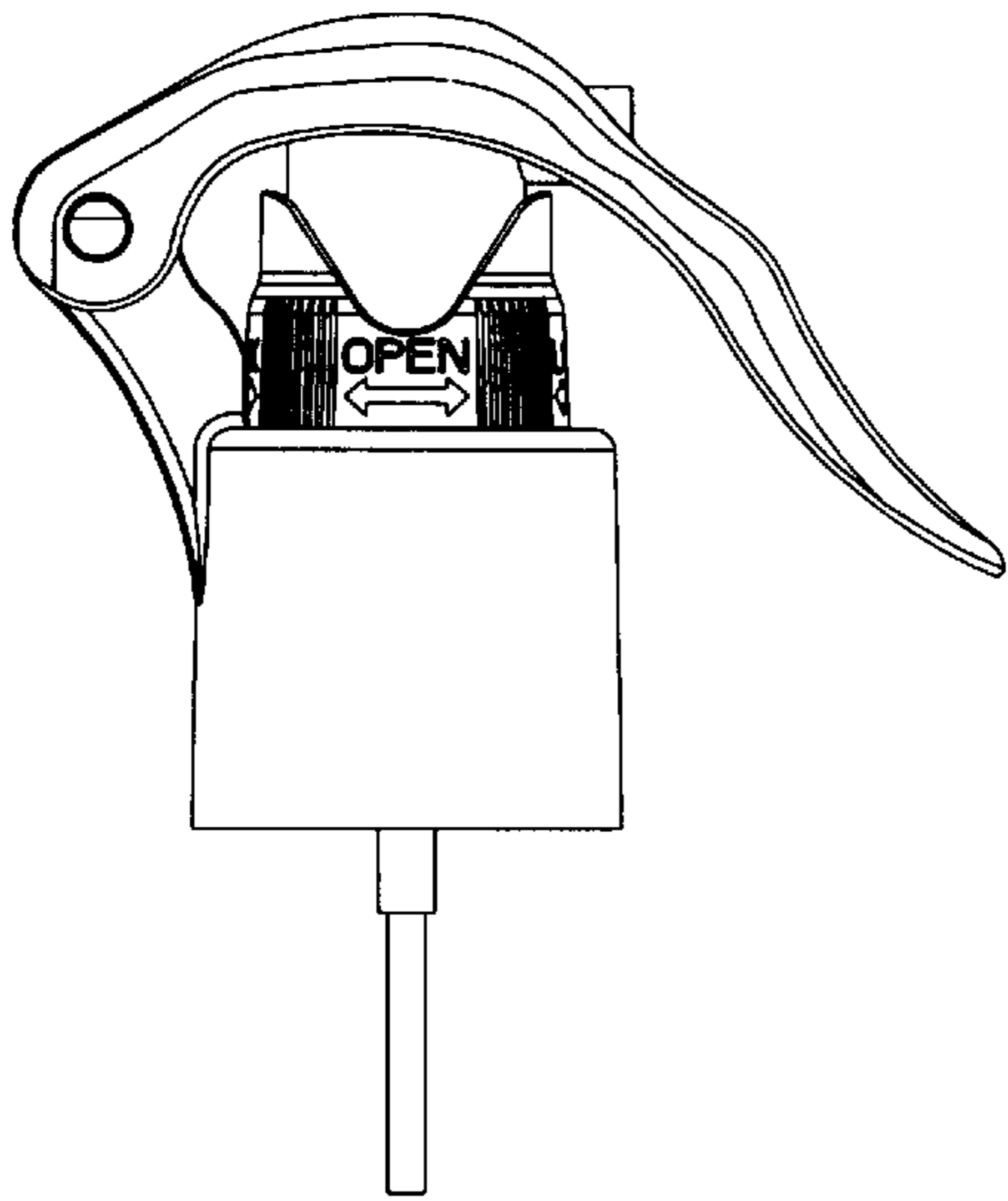


FIG. 7

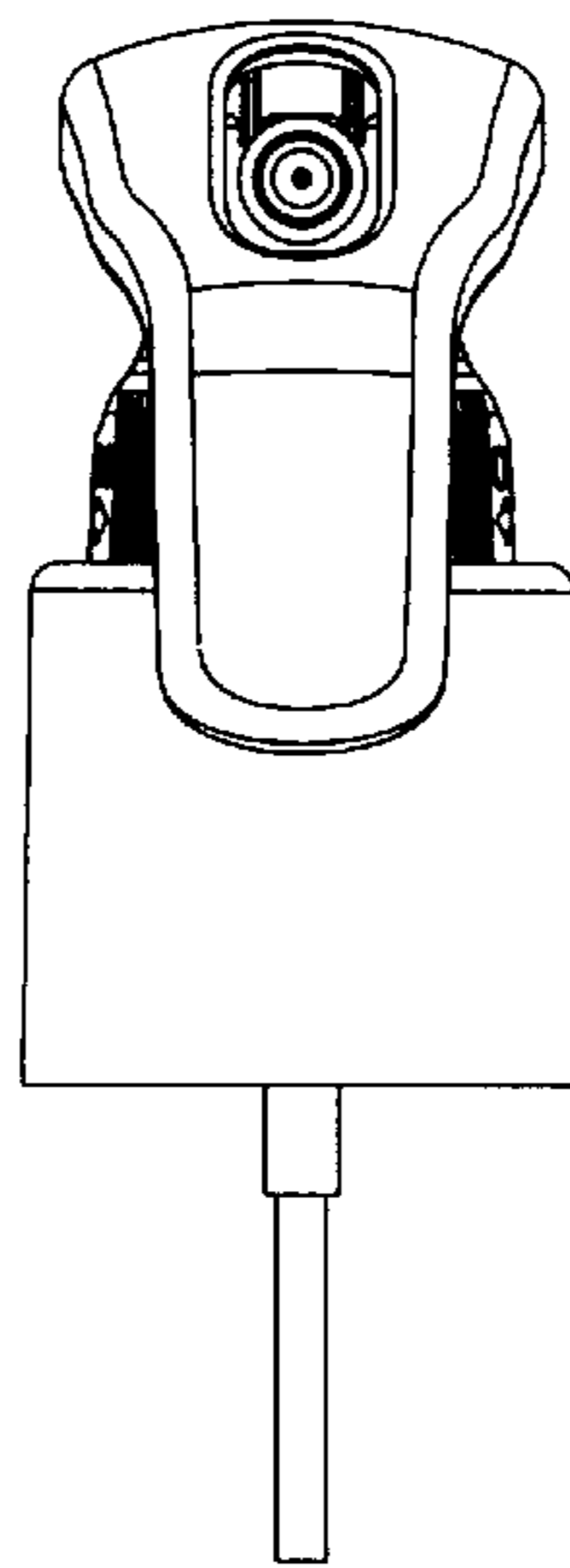


FIG. 8

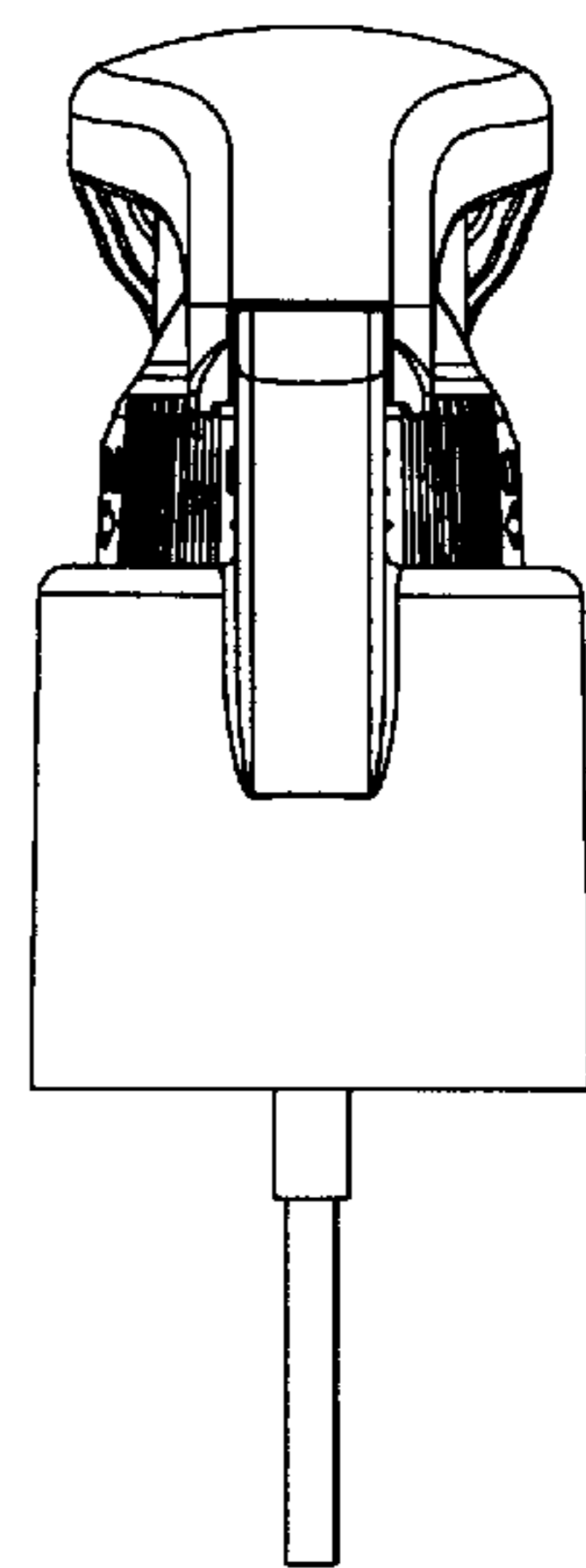


FIG. 9