

US00D525119S

(12) **United States Design Patent**
Maskell et al.

(10) **Patent No.:** **US D525,119 S**
(45) **Date of Patent:** **** Jul. 18, 2006**

- (54) **PRODUCT DISPENSER**
- (75) Inventors: **William John Maskell**, London (GB);
Dave Salmon, Hertfordshire (GB)
- (73) Assignee: **Wm. Wrigley Jr. Company**, Chicago,
IL (US)
- (**) Term: **14 Years**
- (21) Appl. No.: **29/224,668**
- (22) Filed: **Mar. 3, 2005**

Related U.S. Application Data

- (63) Continuation of application No. 29/208,080, filed on Jun. 22, 2004, now abandoned.
- (51) **LOC (8) Cl.** **09-03**
- (52) **U.S. Cl.** **D9/417; D9/430; D9/424**
- (58) **Field of Classification Search** D9/414,
D9/417, 420-424, 426, 430, 418, 432; D3/201,
D3/203.2, 294, 901, 904; 206/77.1, 581,
206/579, 6.1, 457, 800, 822, 823, 533, 539;
220/669, 671, 674, 675, DIG. 12; 229/108,
229/116.1, 406, 922; 221/96, 282, 263, 312 C
See application file for complete search history.

2,877,927 A	3/1959	King, Jr.
2,899,047 A	8/1959	Butner, et al.
3,040,929 A	6/1962	Tapper
3,059,762 A	10/1962	Yoshimoto
3,159,308 A	12/1964	Passavanti
3,166,216 A	1/1965	Guarr
3,301,437 A	1/1967	Faber
3,344,951 A	10/1967	Gervais
3,365,099 A	1/1968	McTaggart
3,410,455 A	11/1968	Haas
3,565,284 A	2/1971	Hinterreiter
3,591,043 A	7/1971	Murphy
3,612,348 A	10/1971	Thomas
3,612,349 A	10/1971	Thomas
3,777,961 A	12/1973	Blasheck
3,807,601 A	4/1974	Frankenberg
3,845,882 A	11/1974	Hass
D250,171 S	11/1978	Yoshimoto
4,168,786 A	9/1979	Veiniere
4,171,753 A	10/1979	Vreede
4,230,237 A	10/1980	de Wit
4,282,990 A	8/1981	Miyashita
4,354,619 A *	10/1982	Wippermann et al. 221/263
D270,028 S	8/1983	Vernin
4,418,838 A	12/1983	Gallina
4,492,316 A	1/1985	Emms
4,530,445 A	7/1985	Decker

(Continued)

Primary Examiner—Prabhakar Deshmukh
(74) *Attorney, Agent, or Firm*—Bell, Boyd & Lloyd LLC

(56) **References Cited**

U.S. PATENT DOCUMENTS

939,252 A	11/1909	Hanna
1,188,199 A	6/1916	Paquette
1,247,225 A	11/1917	Cloovas
1,485,716 A	3/1924	Rogers
1,855,382 A	4/1932	Burroughs
2,035,246 A	3/1936	Rea
2,048,617 A	7/1936	O'Brien
2,063,556 A	12/1936	O'Brien
2,149,445 A	3/1939	Kreiten
2,255,450 A	9/1941	Mutchler
2,282,036 A	5/1942	Cobbs, et al.
2,400,221 A *	5/1946	Bennett 70/456 R
2,492,864 A *	12/1949	Hermani 206/540
2,669,349 A	2/1954	Silver
2,692,698 A *	10/1954	Waterman 220/350

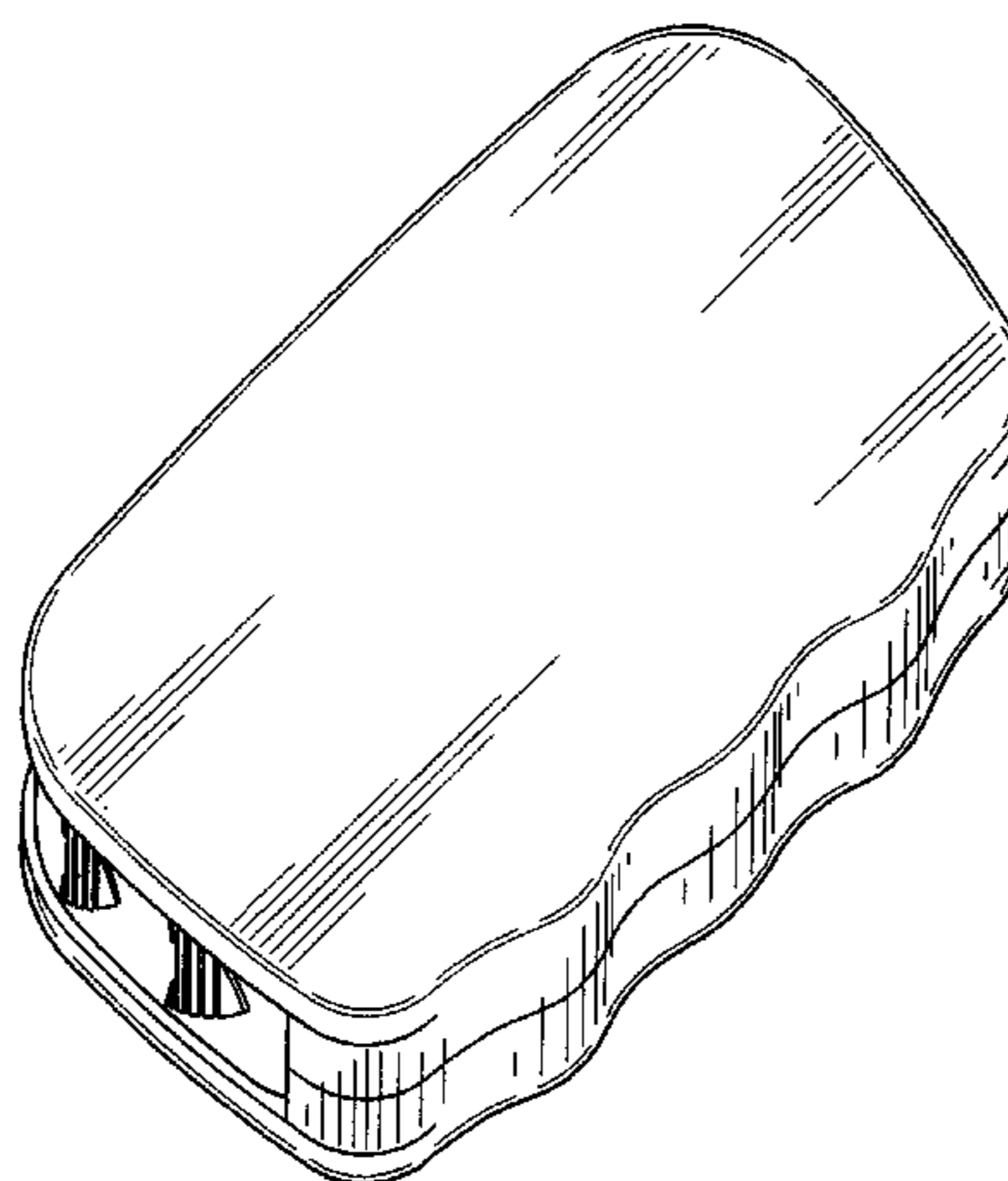
(57) **CLAIM**

The ornamental design for a product dispenser, as shown and described.

DESCRIPTION

FIG. 1 is a perspective view of an embodiment of the present product dispenser.
FIG. 2 is a front view of the embodiment of FIG. 1.
FIG. 3 is a rear view of the embodiment of FIG. 1.
FIG. 4 is a right side view of the embodiment of FIG. 1.
FIG. 5 is a left side view of the embodiment of FIG. 1; and,
FIG. 6 is a top view of the embodiment of FIG. 1.

1 Claim, 2 Drawing Sheets



US D525,119 S

Page 2

U.S. PATENT DOCUMENTS					
4,589,573	A	5/1986 Tada	6,068,126	A	5/2000 DeJonge
4,724,984	A	2/1988 Wilken et al.	6,220,480	B1	4/2001 Stankus et al.
5,048,720	A	9/1991 Hoke	6,230,931	B1	5/2001 Mandle et al.
5,071,033	A	12/1991 Siwek	6,273,294	B1	8/2001 Petzold et al.
5,080,258	A	1/1992 Hinterreiter	D455,037	S *	4/2002 Baba D6/632
D341,778	S *	11/1993 D'Amico et al. D9/417	6,401,970	B1	6/2002 Harris et al.
5,275,291	A	1/1994 Sledge	6,425,495	B1	7/2002 Senda et al.
D344,889	S *	3/1994 Kozlowski et al. D3/203.2	D468,524	S *	1/2003 Sinton et al. D3/203.2
5,351,858	A	10/1994 Bar-Yona et al.	6,543,639	B1	4/2003 Kovens
5,370,219	A *	12/1994 Violett, Jr. 206/38	D475,917	S	6/2003 Grant
5,405,047	A	4/1995 Hansen	D485,490	S	1/2004 Grant
5,460,295	A	10/1995 Law	D485,750	S	1/2004 Grant
D381,560	S *	7/1997 Indekeu D7/538	D485,751	S	1/2004 Grant
5,785,206	A	7/1998 Chan	D496,271	S *	9/2004 Hoeltgen D9/424
5,816,441	A	10/1998 Farside	2002/0175180	A1	11/2002 Evans et al.
5,931,302	A	8/1999 Isaacs et al.	2003/0234260	A1	12/2003 Giraud
5,954,228	A	9/1999 Minnette	2004/0004083	A1	1/2004 Grant

* cited by examiner

FIG.1

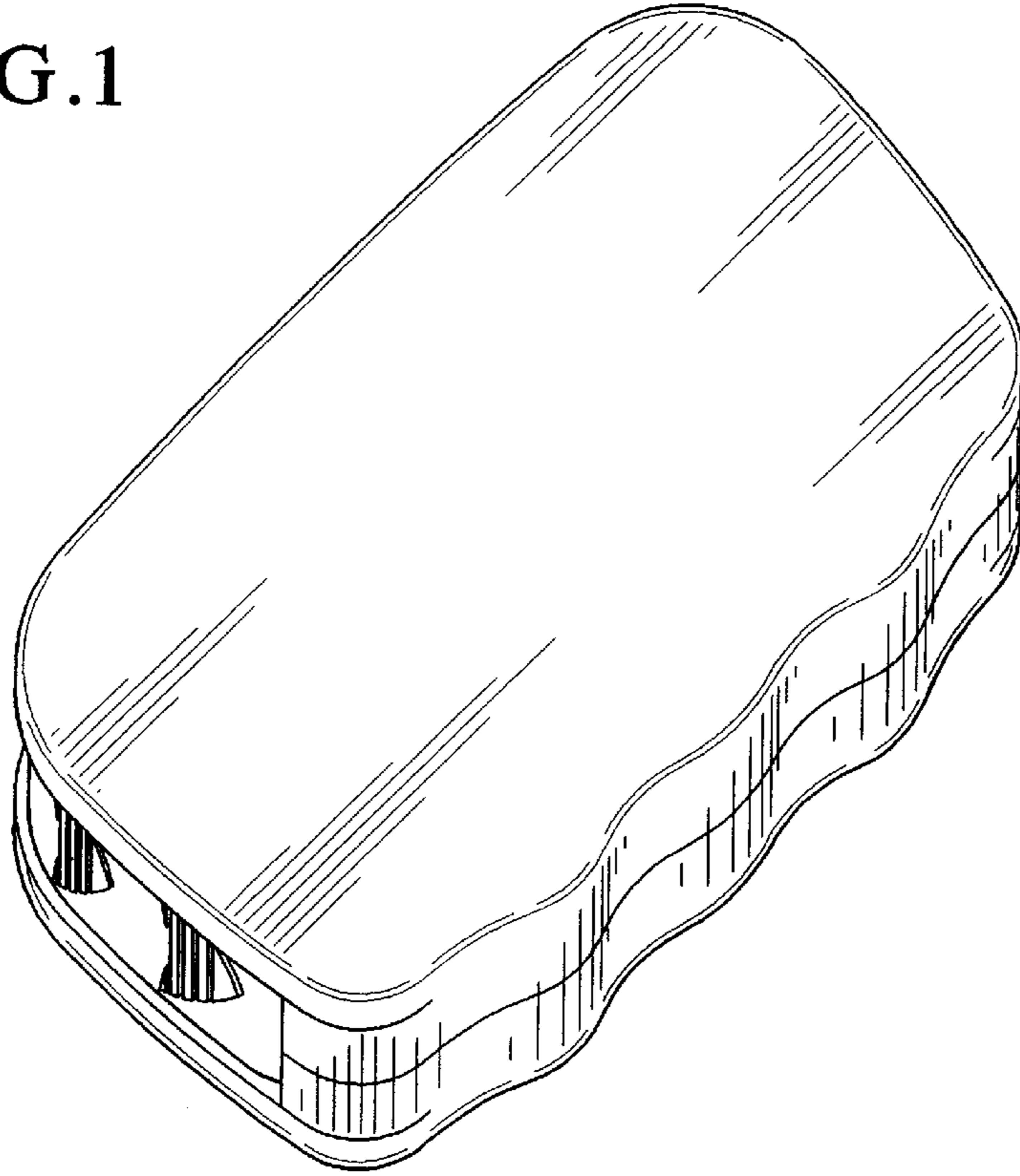


FIG. 2

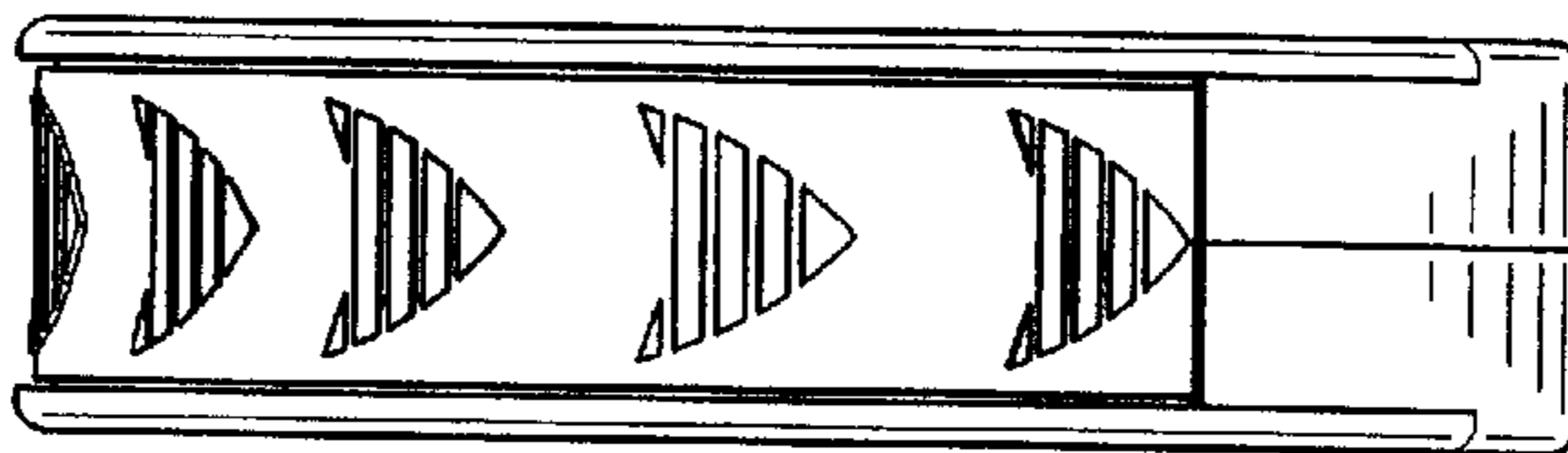


FIG. 3

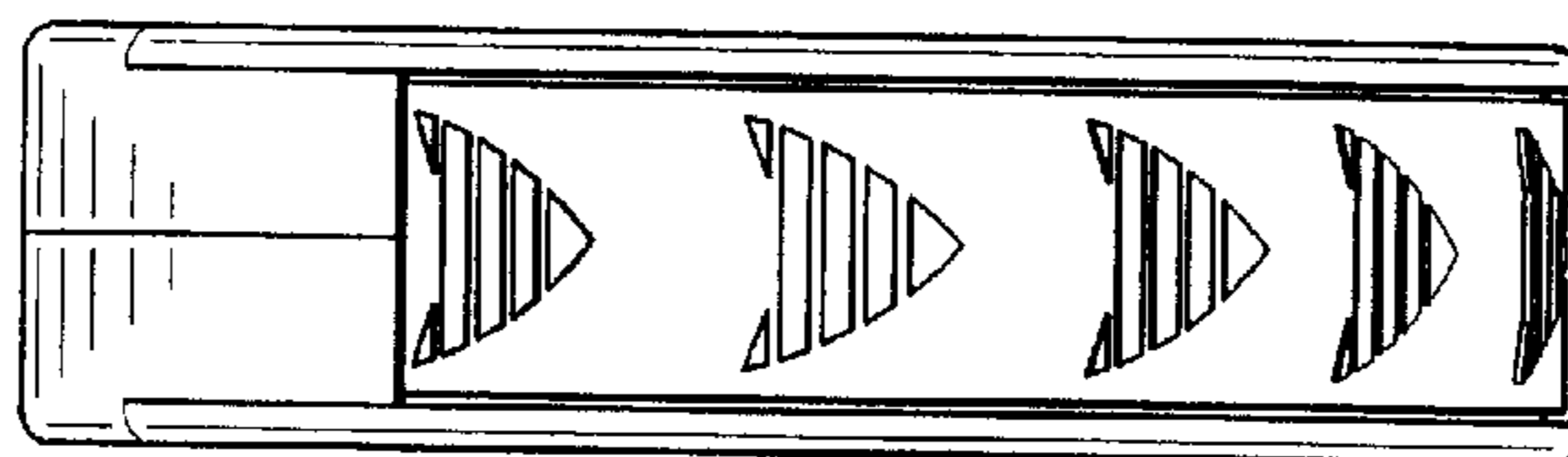


FIG. 4

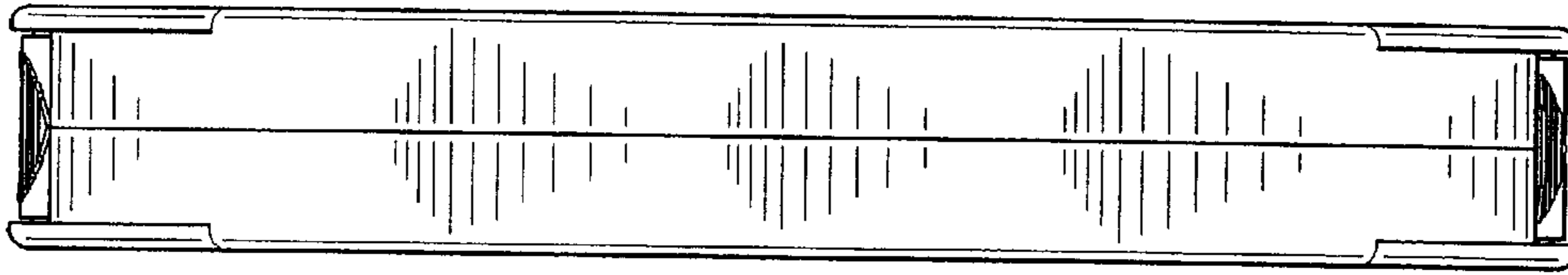


FIG. 5

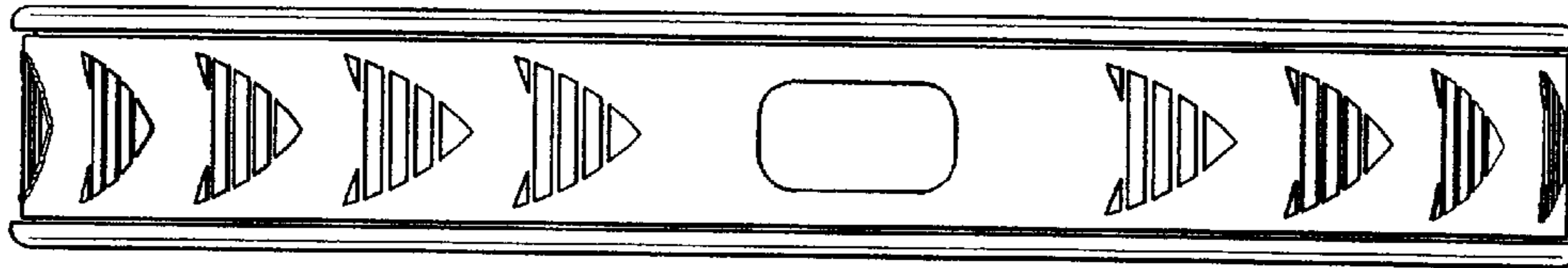


FIG. 6

