

US00D525118S

(12) **United States Design Patent**
Mentasti

(10) **Patent No.:** **US D525,118 S**
(45) **Date of Patent:** **** Jul. 18, 2006**

(54) **PACKING CONTAINER FOR HANDLEBAR GRIPS**

5,624,048 A * 4/1997 Sander et al. 215/395
D443,823 S * 6/2001 Fenton et al. D9/521

(75) Inventor: **Marco Mentasti**, Varese (IT)

* cited by examiner

(73) Assignee: **Sandro Mentasti, S.R.L.** (IT)

(**) Term: **14 Years**

Primary Examiner—Stella Reid
Assistant Examiner—Derrick Holland
(74) *Attorney, Agent, or Firm*—Connolly Bove Lodge & Hutz, LLP

(21) Appl. No.: **29/234,918**

(22) Filed: **Jul. 26, 2005**

(30) **Foreign Application Priority Data**

Jan. 26, 2005 (EM) 000286778

(51) **LOC (8) Cl.** **09-03**

(52) **U.S. Cl.** **D9/415**

(58) **Field of Classification Search** D9/415,
D9/424, 426, 500, 501, 513, 516, 738, 753;
D12/402, 407, 178, 186; 215/11.6, 382, 395,
215/396; 220/592.16, 592.17; 206/141, 161
See application file for complete search history.

(57) **CLAIM**

The ornamental design for a packing container for handlebar grips, as shown and described.

DESCRIPTION

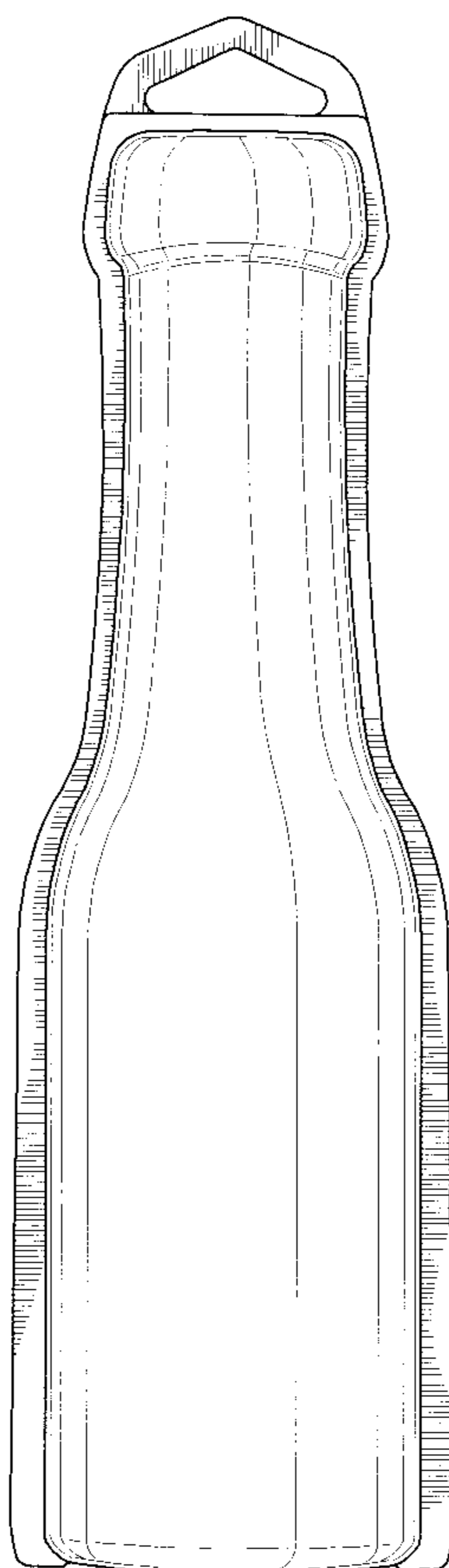
FIG. 1 is a front elevational view showing a packing container for handlebar grips of my new design;
FIG. 2 is a side elevational view thereof;
FIG. 3 is a top plan view thereof; and,
FIG. 4 is a bottom plan view thereof.

(56) **References Cited**

U.S. PATENT DOCUMENTS

D292,879 S * 11/1987 Smith D9/753

1 Claim, 1 Drawing Sheet



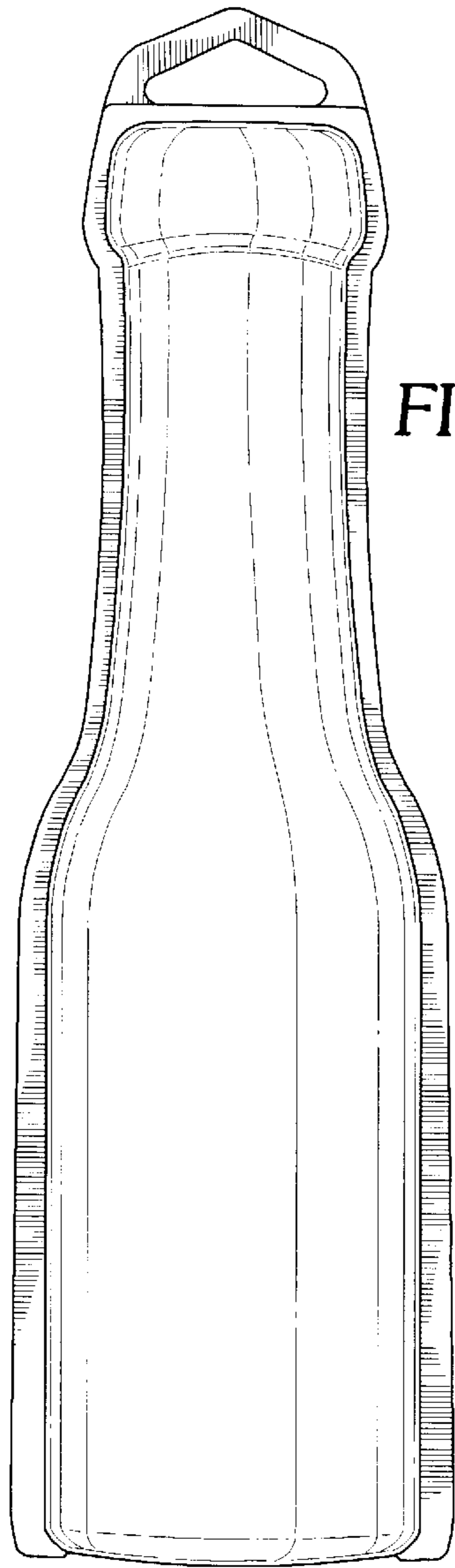


FIG. 1

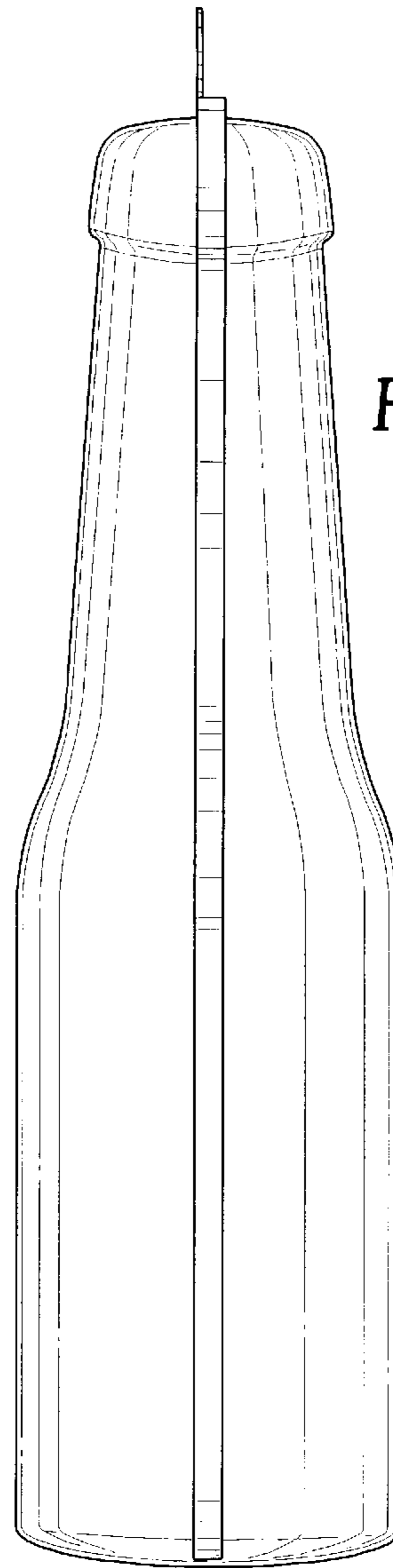


FIG. 2

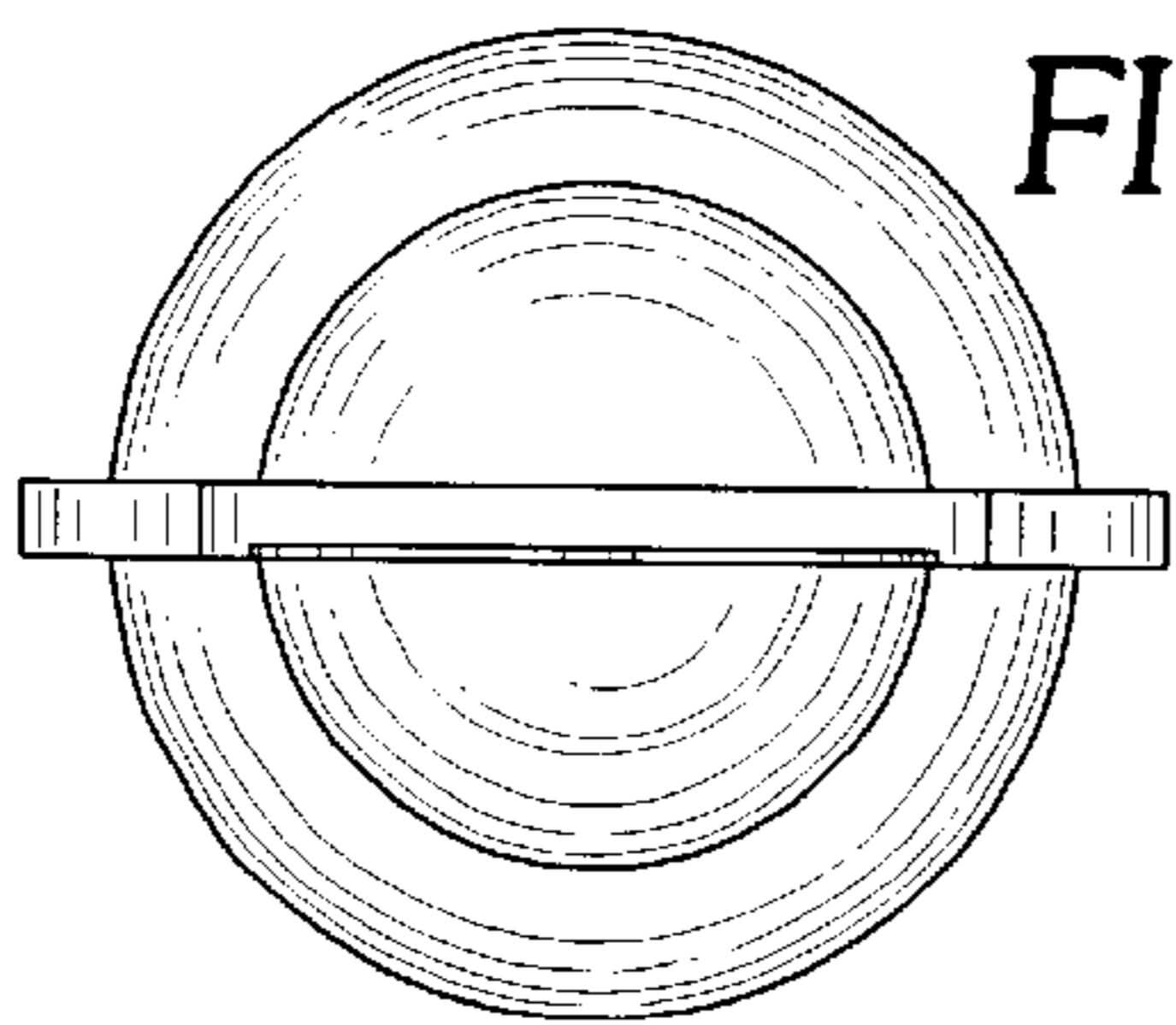


FIG. 3

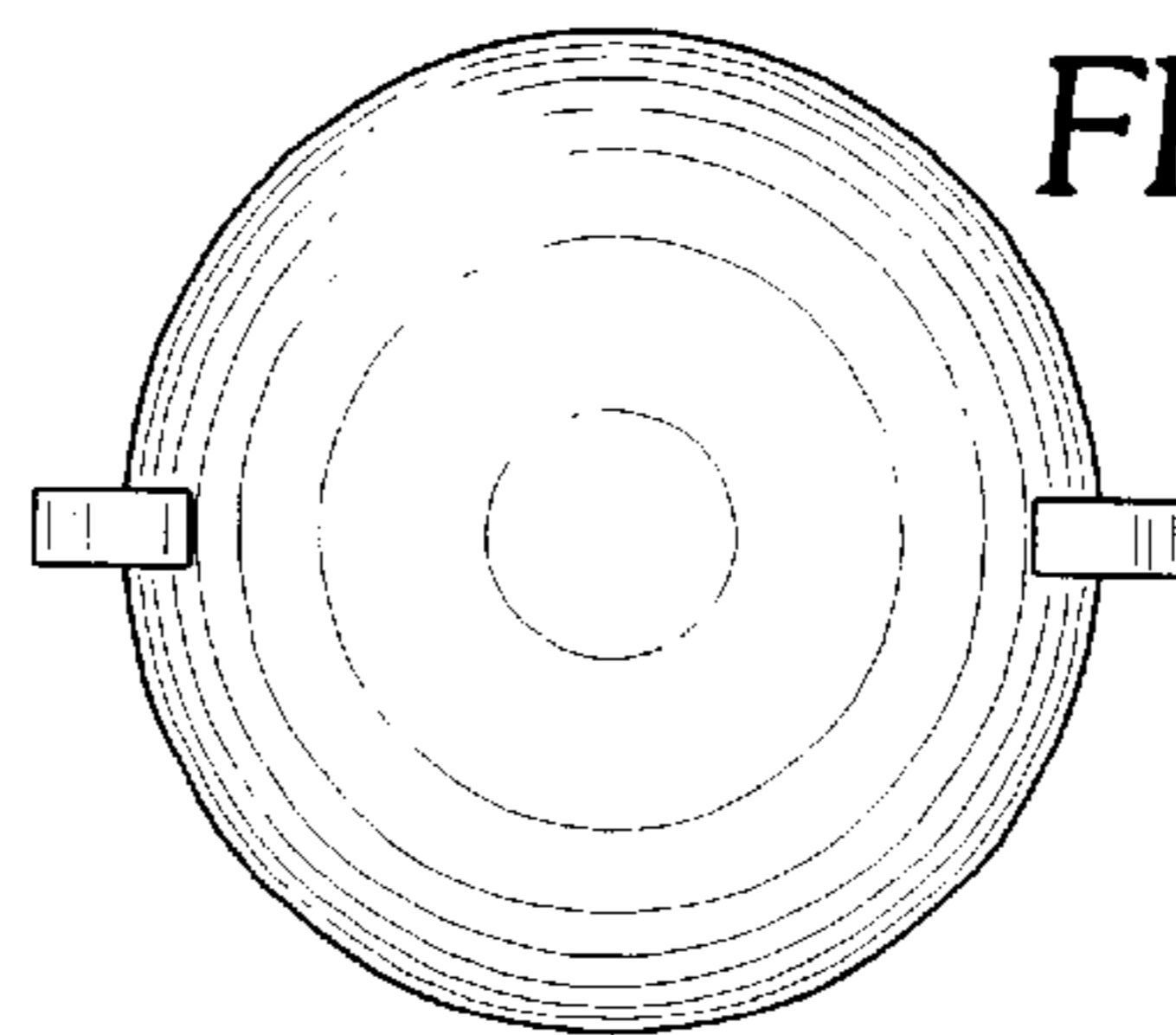


FIG. 4