



US00D525117S

(12) **United States Design Patent**
Mariano et al.

(10) **Patent No.:** **US D525,117 S**

(45) **Date of Patent:** **** Jul. 18, 2006**

(54) **CLIP**

(75) Inventors: **Dino Mariano**, Pittsburgh, PA (US);
Gregoire Aby-Eva, Pittsburgh, PA
(US); **Lisa Yanz**, Rochester, NY (US)

(73) Assignee: **Helen of Troy Limited**, Bridgetown
(BB)

(**) **Term:** **14 Years**

(21) Appl. No.: **29/201,637**

(22) Filed: **Mar. 18, 2004**

(51) **LOC (8) Cl.** **08-08**

(52) **U.S. Cl.** **D8/395**

(58) **Field of Classification Search** D8/356,
D8/371, 394-396, 499, 53, 100, 365; D12/51;
D19/65, 90; D28/39, 40, 42; 24/546, 563,
24/327, 334, DIG. 8, DIG. 9, DIG. 13, DIG. 28;
248/74.2, 300, 301, 316.7, 229.26
See application file for complete search history.

(56) **References Cited**

U.S. PATENT DOCUMENTS

D50,062 S * 12/1916 Fuller D19/65

D206,785 S * 1/1967 McCormick D20/43
D302,568 S * 8/1989 Berger D19/65
5,079,808 A * 1/1992 Brown 24/67.7
D375,976 S * 11/1996 Marguerie D19/65

* cited by examiner

Primary Examiner—Louis S. Zarfaz

Assistant Examiner—John Windmuller

(74) *Attorney, Agent, or Firm*—Seyfarth Shaw LLP

(57) **CLAIM**

The ornamental design for a clip, as shown and described.

DESCRIPTION

FIG. 1 is a top perspective view of a clip showing our new design;

FIG. 2 is a top plan view thereof;

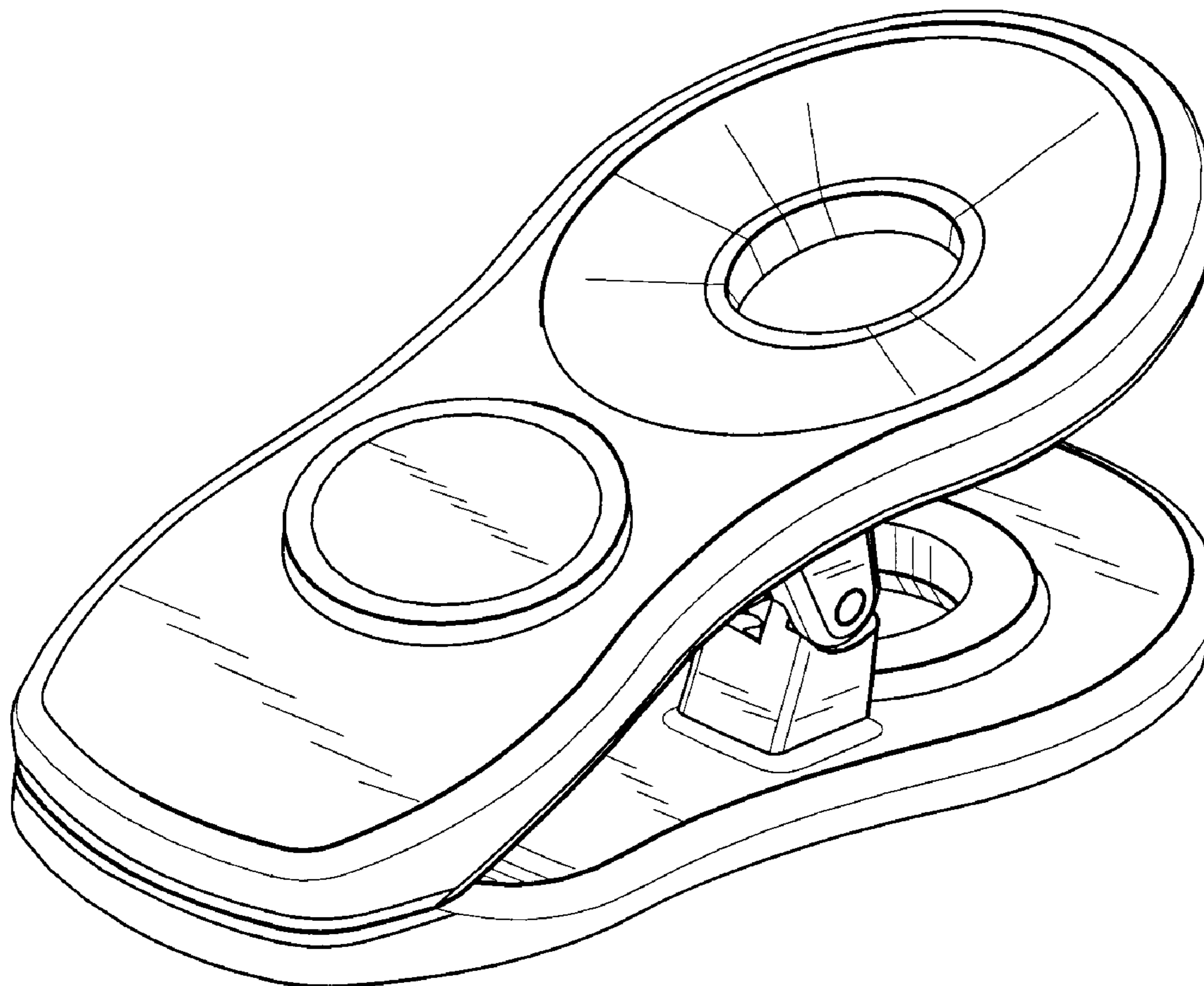
FIG. 3 is a bottom plan view thereof;

FIG. 4 is a front elevational view thereof;

FIG. 5 is a rear elevational view thereof; and,

FIG. 6 is a left side elevational view thereof, the right side elevational view being a mirror image.

1 Claim, 2 Drawing Sheets



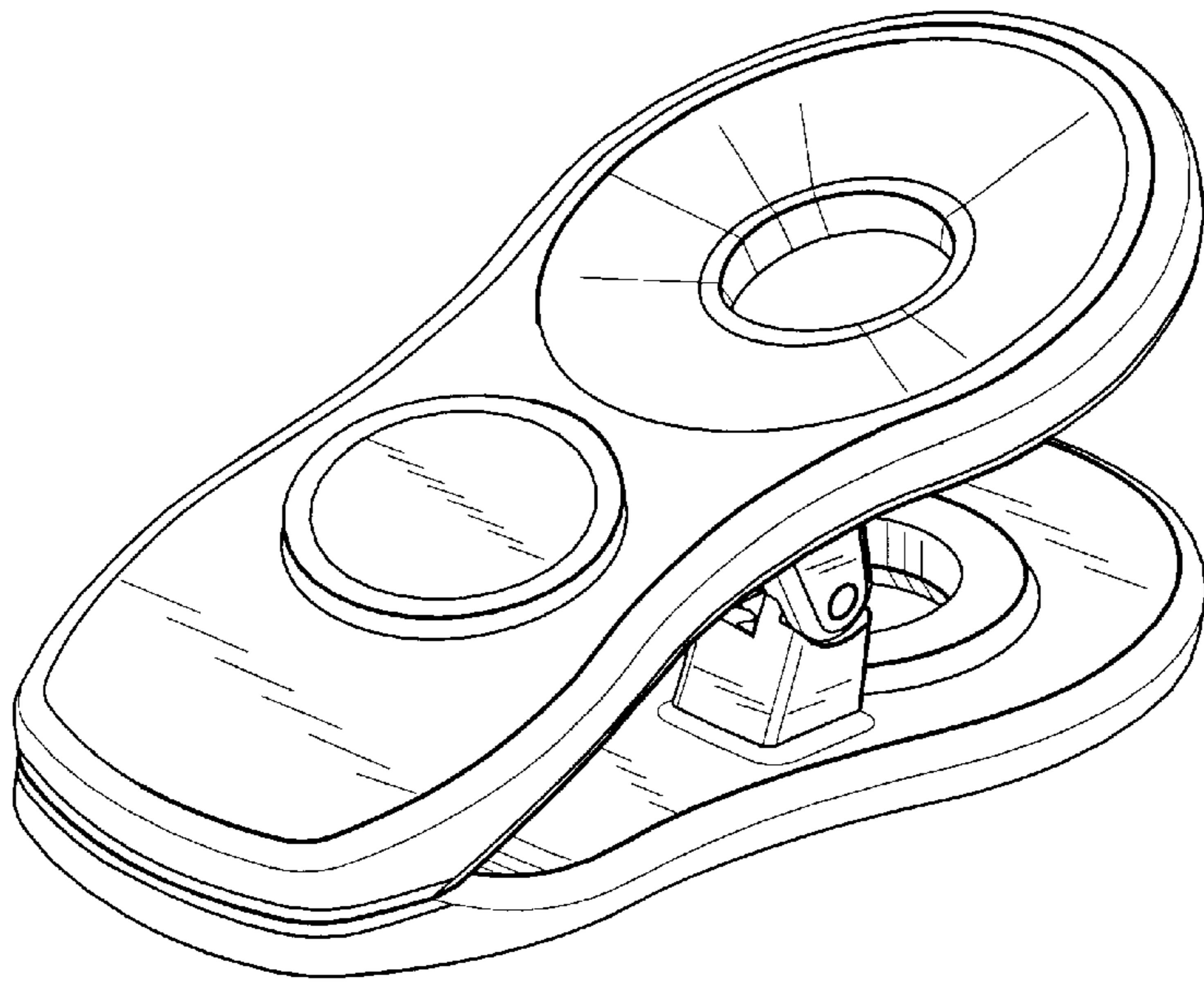


FIG. 1

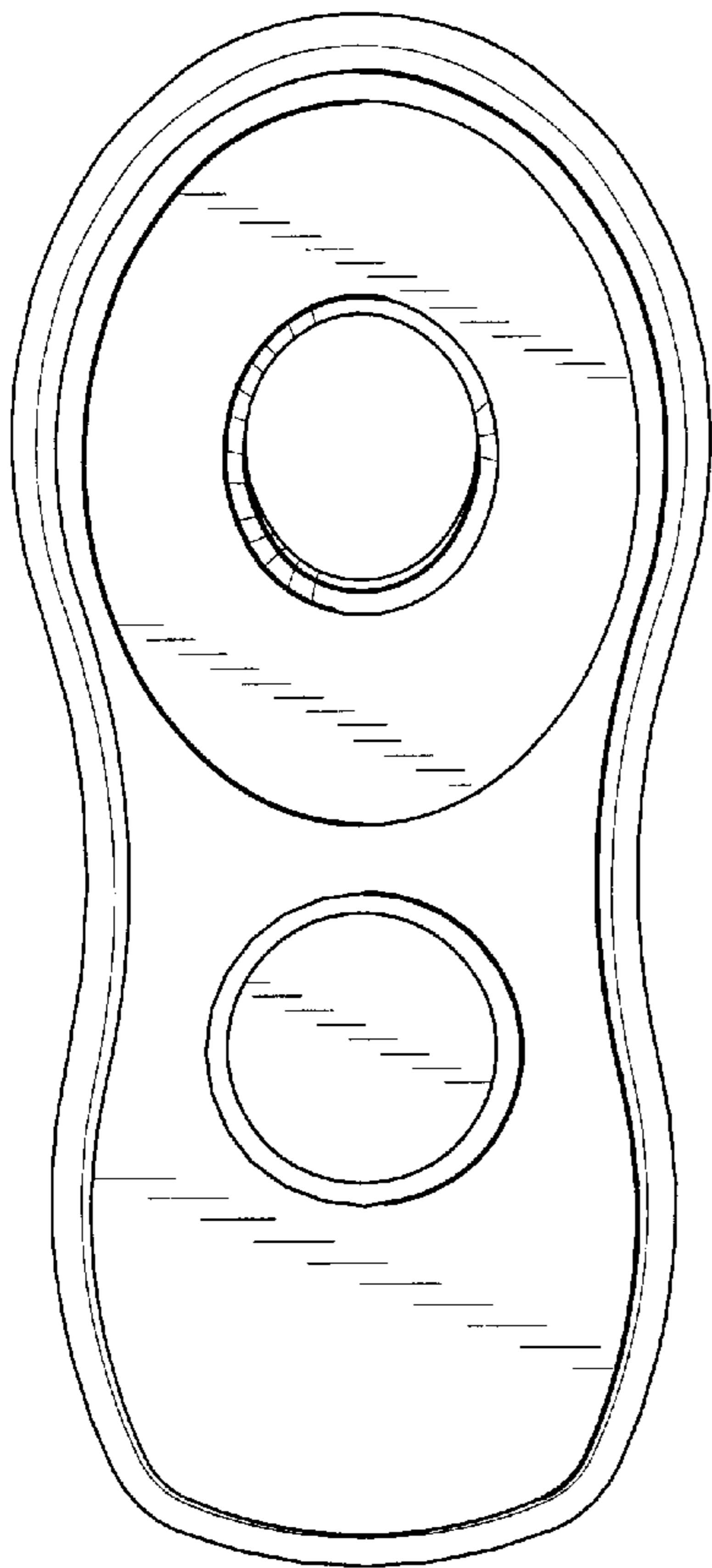


FIG. 2

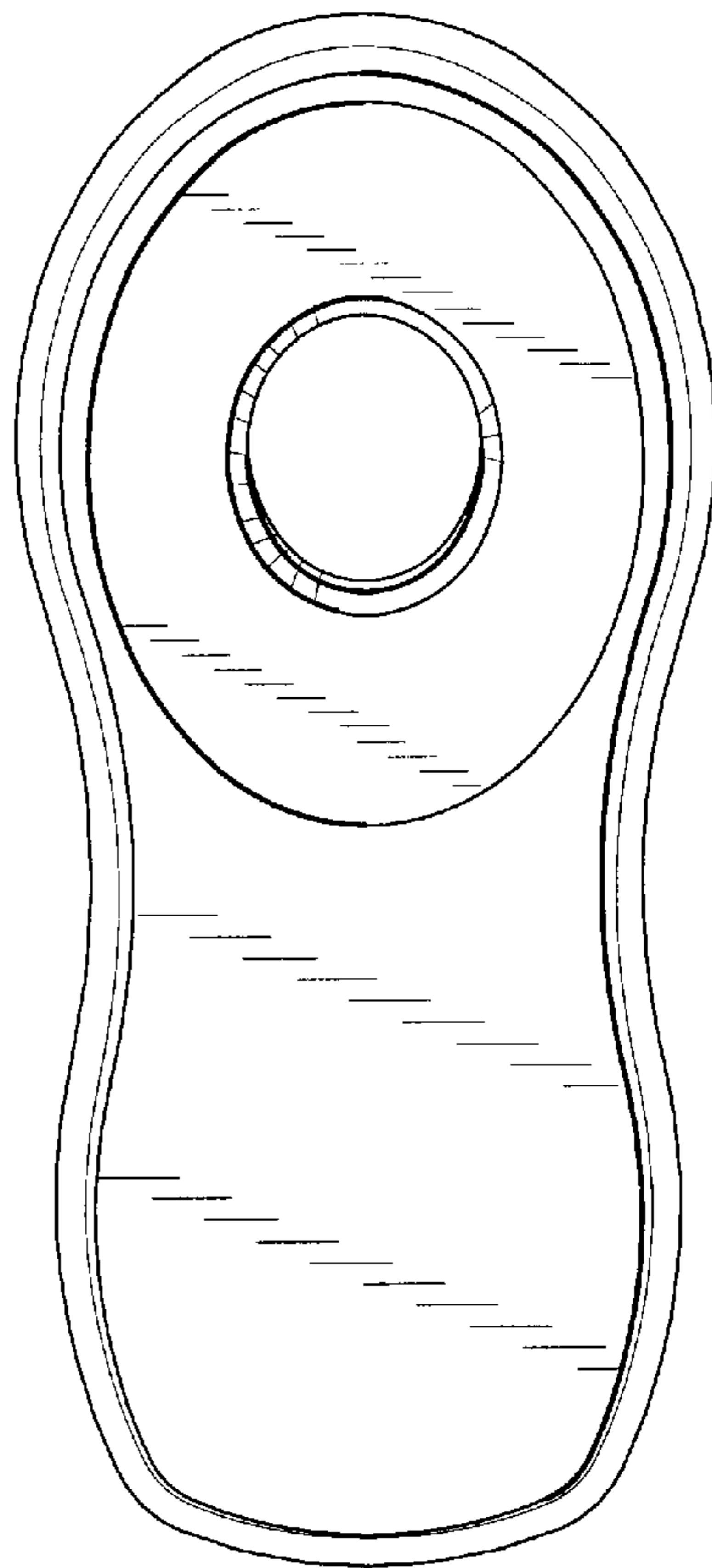


FIG. 3

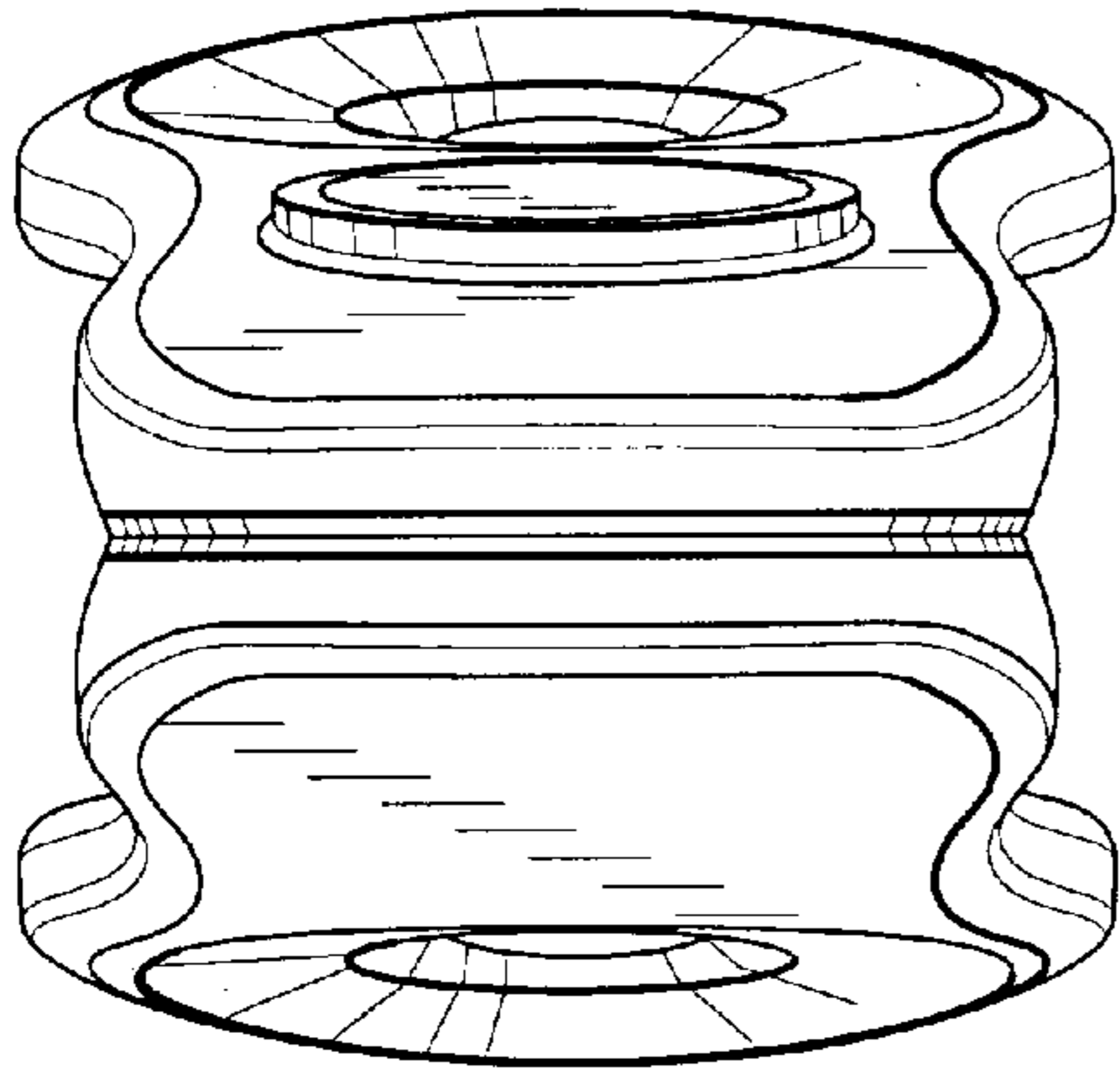


FIG. 4

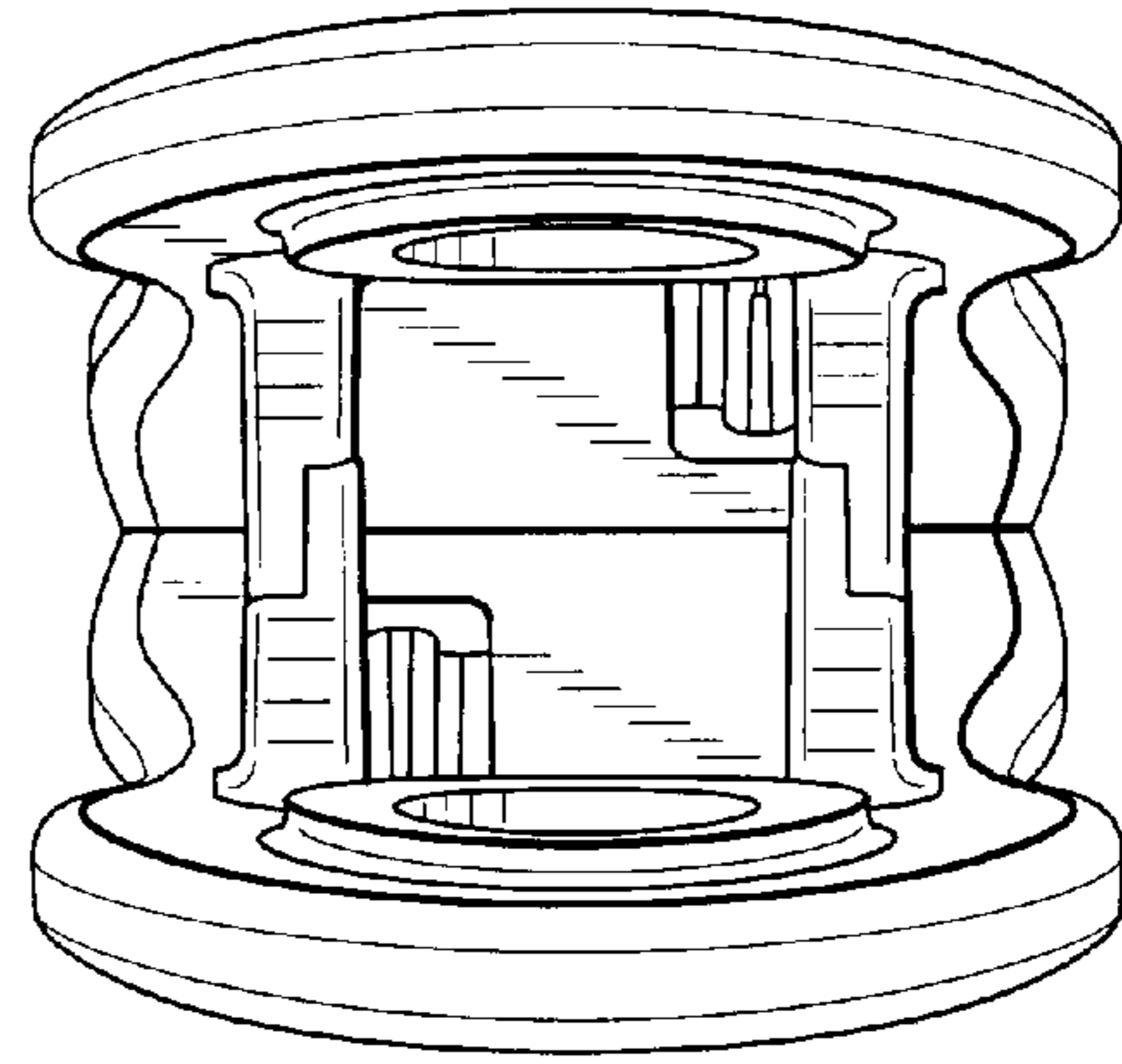


FIG. 5

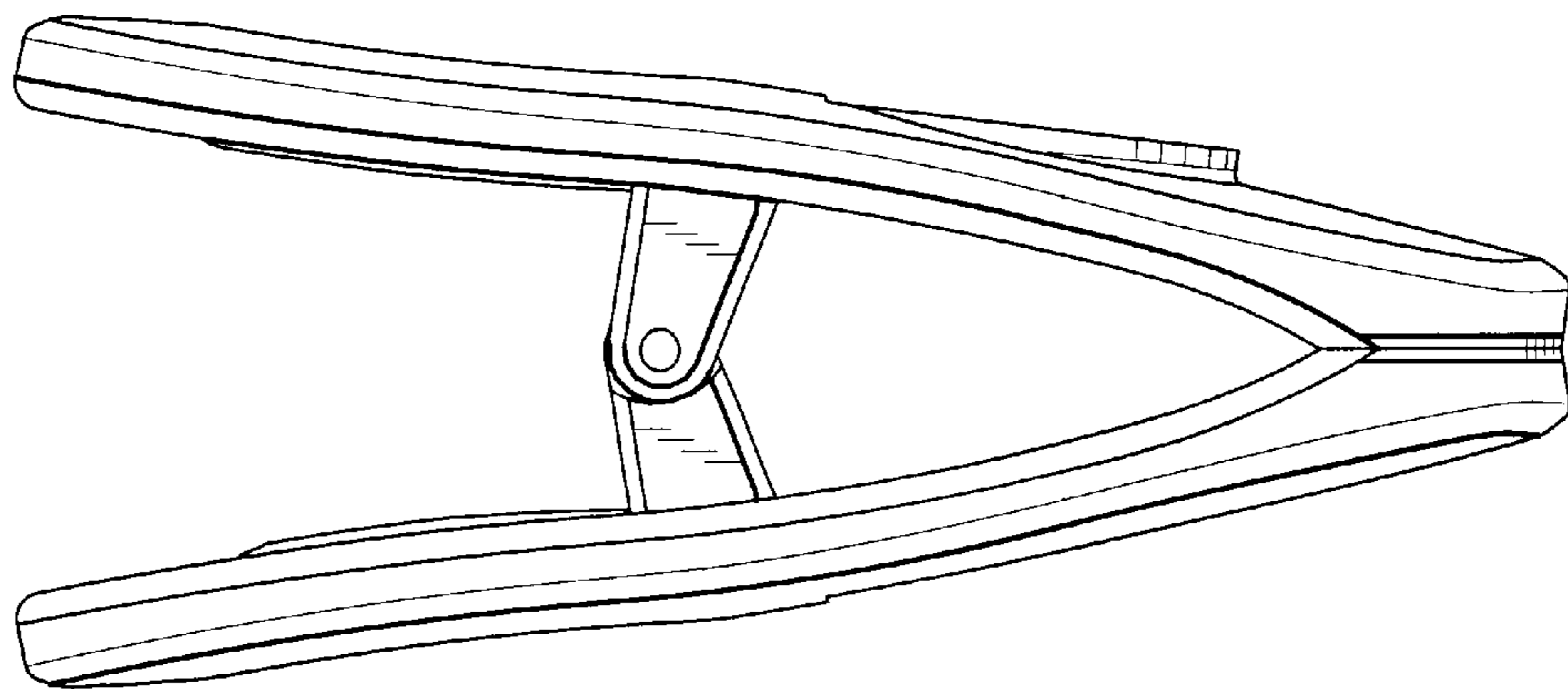


FIG. 6