



US00D525116S

(12) **United States Design Patent**  
**Shyu et al.**

(10) **Patent No.:** **US D525,116 S**  
(45) **Date of Patent:** **\*\* Jul. 18, 2006**

(54) **WEBCAM CLIP**

(75) Inventors: **San-Wuei Shyu**, Taipei (TW);  
**Shih-Chao Huang**, Taipei (TW);  
**Hsien-Ru Chu**, Taipei (TW)

(73) Assignee: **E-Pin International Co., Ltd.**, Taipei (TW)

(\*\*) Term: **14 Years**

(21) Appl. No.: **29/234,324**

(22) Filed: **Jul. 18, 2005**

(51) **LOC (8) Cl.** ..... **08-08**

(52) **U.S. Cl.** ..... **D8/394; D16/242**

(58) **Field of Classification Search** ..... D8/356,  
D8/371, 394-396, 499, 53, 100, 365; D12/51;  
D19/65, 90; D28/39, 40, 42; 24/546, 563,  
24/327, 334, DIG. 8, DIG. 9, DIG. 13, DIG. 28;  
248/74.2, 300, 121, 301, 316.7, 229.26; D16/242  
See application file for complete search history.

(56) **References Cited**

**U.S. PATENT DOCUMENTS**

D27,860	S	*	11/1897	Gross	.....	D8/382
D28,052	S	*	12/1897	Bonshire	.....	D8/394
1,469,595	A	*	10/1923	Hick	.....	180/68.5
D307,686	S	*	5/1990	Cadman	.....	D6/572
5,855,343	A	*	1/1999	Krekelberg	.....	248/121
D434,308	S	*	11/2000	Kalat	.....	D8/395
D446,538	S	*	8/2001	Prather et al.	.....	D16/242

D507,007 S \* 7/2005 Sitoh et al. .... D16/202

\* cited by examiner

*Primary Examiner*—Louis S. Zarfes

*Assistant Examiner*—John Windmuller

(74) *Attorney, Agent, or Firm*—Dennison, Schultz,  
Dougherty & MacDonald

(57) **CLAIM**

The ornamental design for a webcam clip, as shown and described.

**DESCRIPTION**

FIG. 1 is a perspective view of a webcam clip showing my new design;

FIG. 2 is a front elevational view thereof;

FIG. 3 is a rear elevational view thereof;

FIG. 4 is a left side elevation view thereof;

FIG. 5 is a right side elevation view thereof;

FIG. 6 is a top plan view thereof;

FIG. 7 is a bottom view thereof;

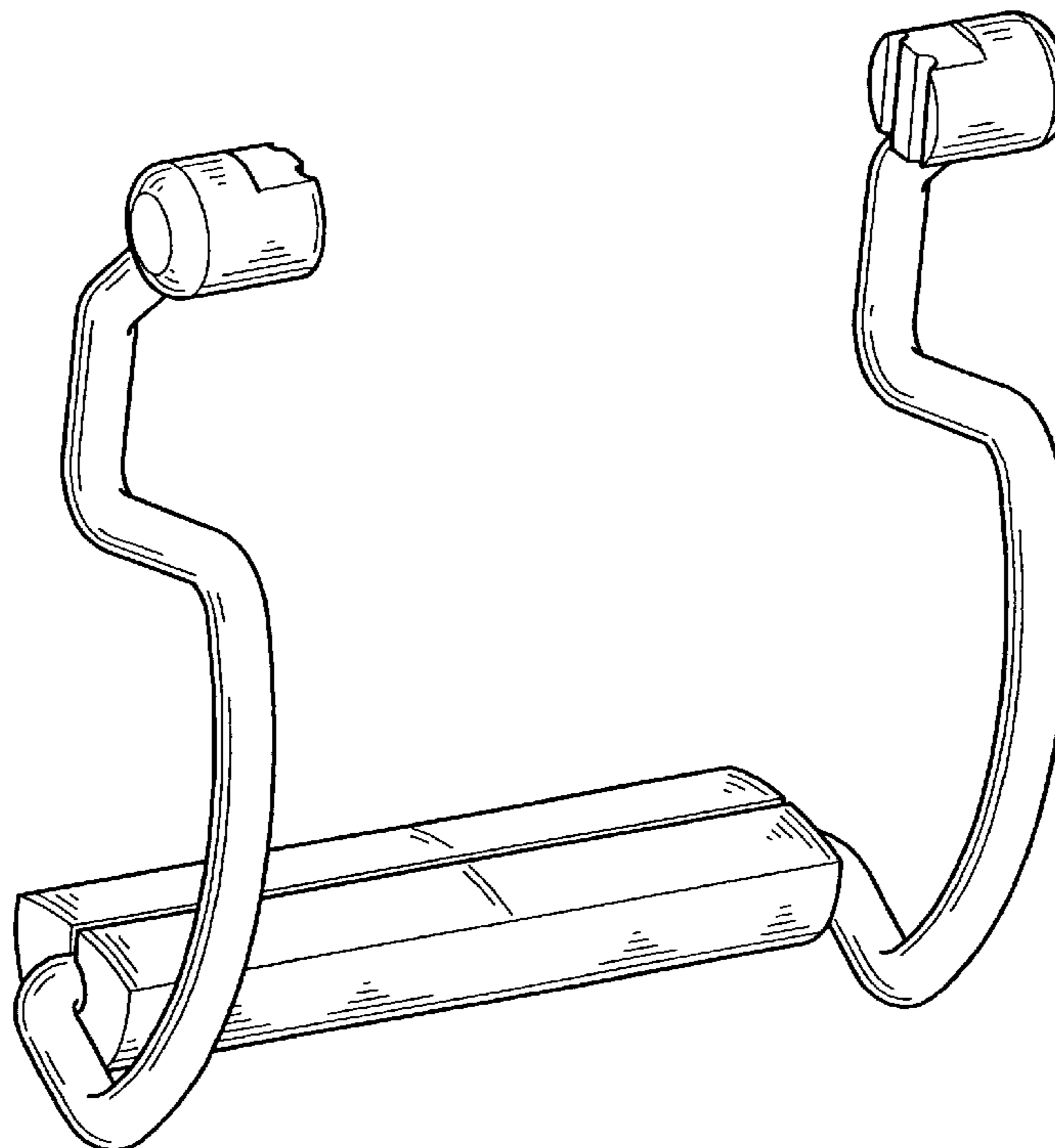
FIG. 8 is a perspective view thereof attached to a webcam;

FIG. 9 is a perspective view thereof attached to a webcam in an alternate position of use; and,

FIG. 10 is a perspective view thereof at a reduced scale attached to a webcam and a laptop computer.

The broken line showing of a webcam, USB cable, and laptop computer in FIGS. 8-10 is for illustrative purposes only and forms no part of the claimed design.

**1 Claim, 7 Drawing Sheets**



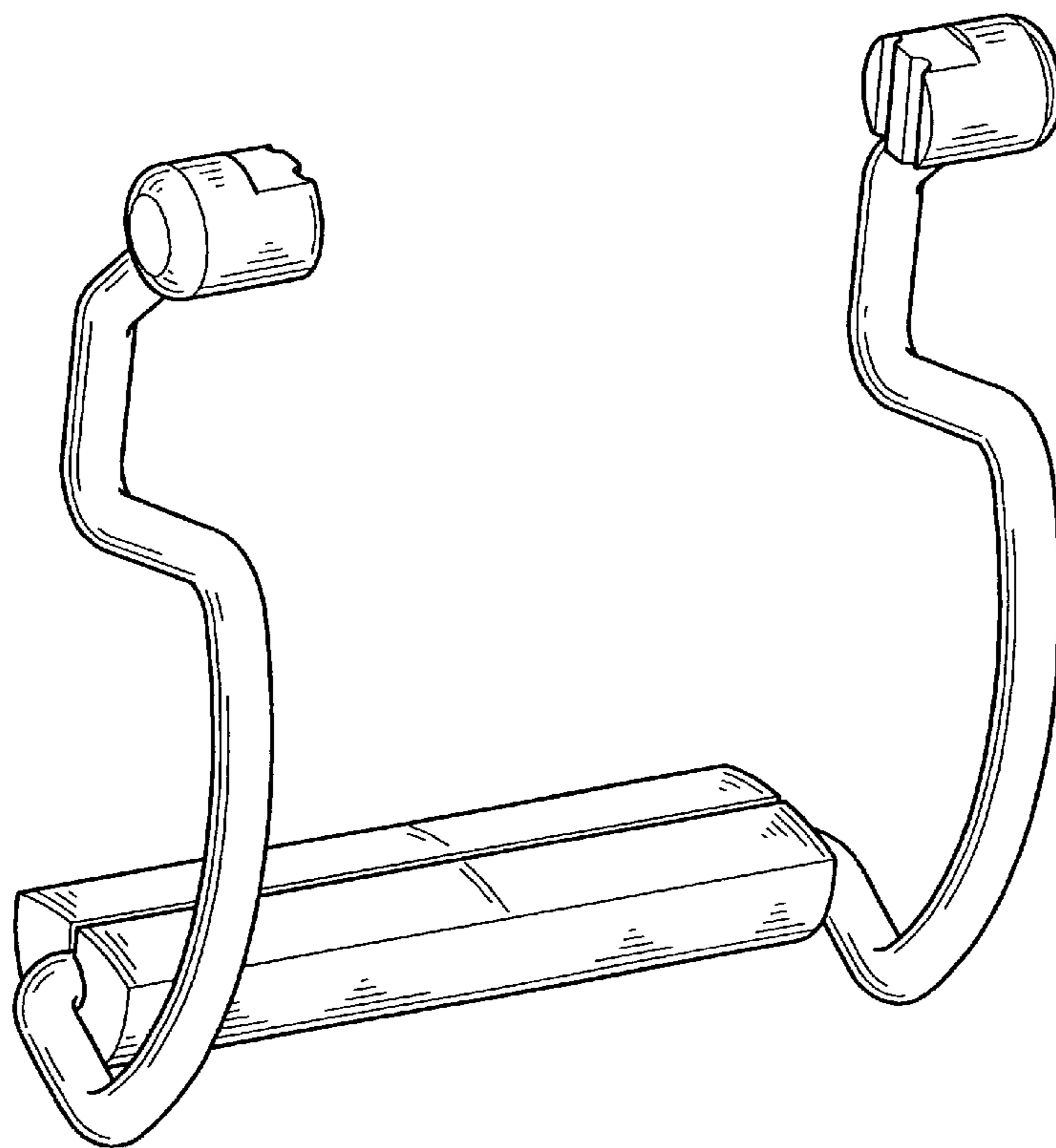


FIG. 1

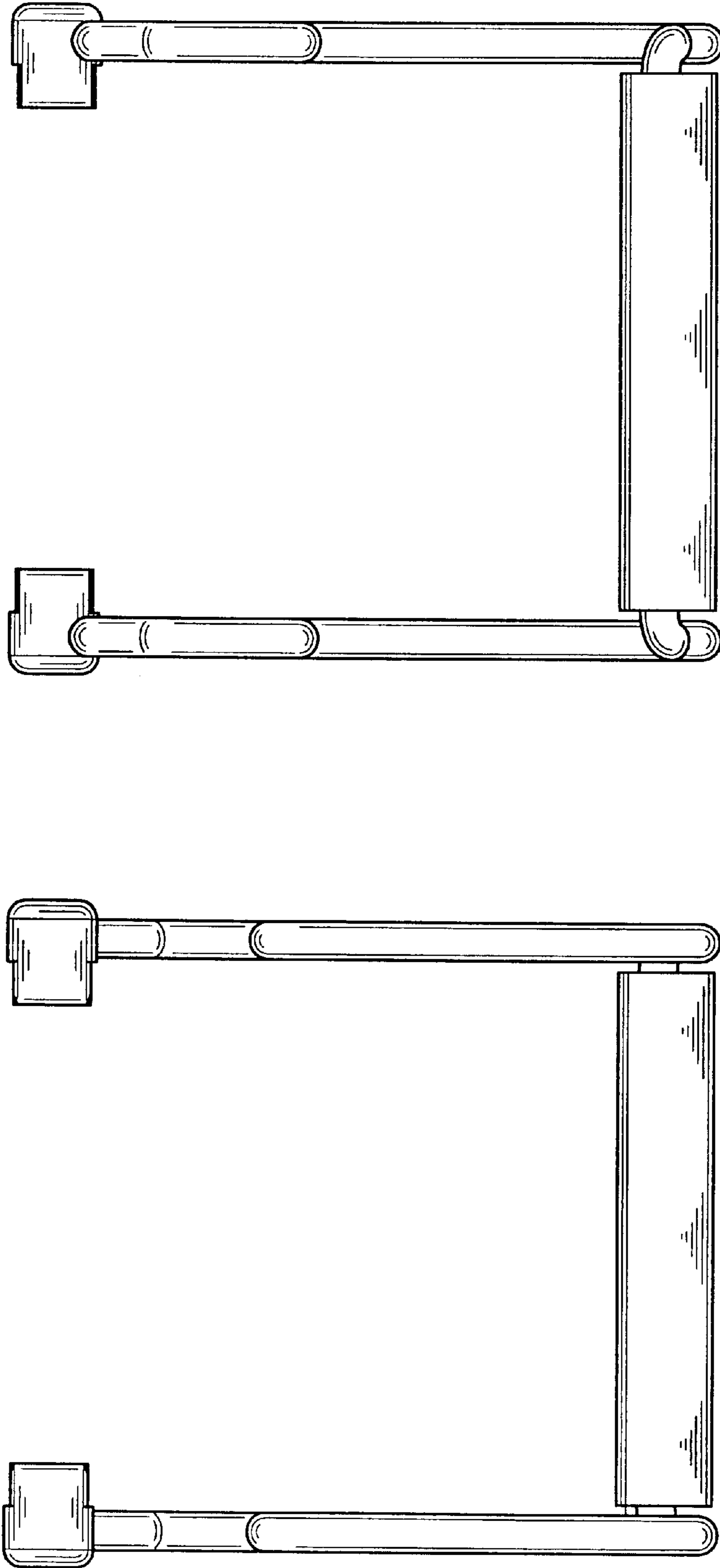


FIG. 2

FIG. 3

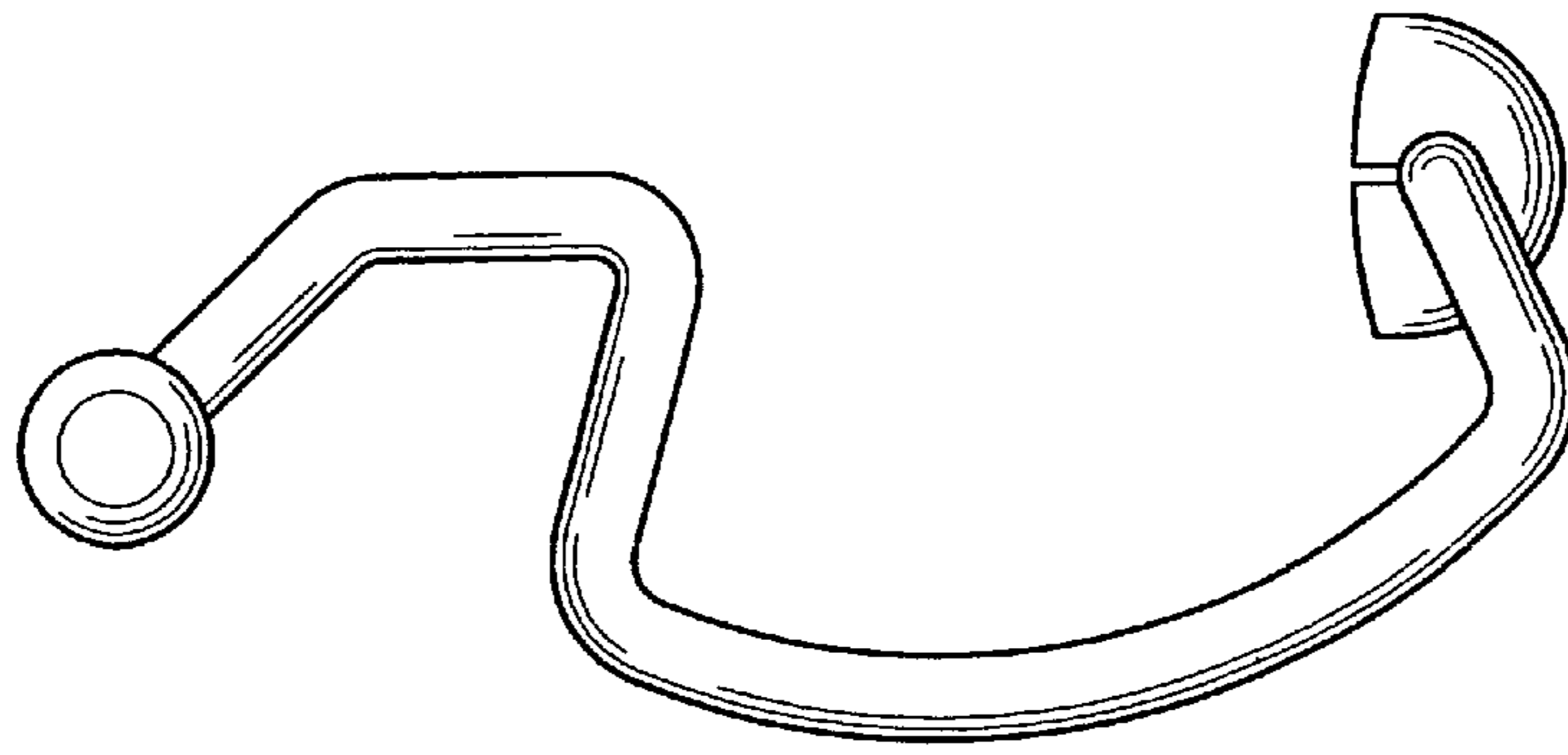


FIG. 5

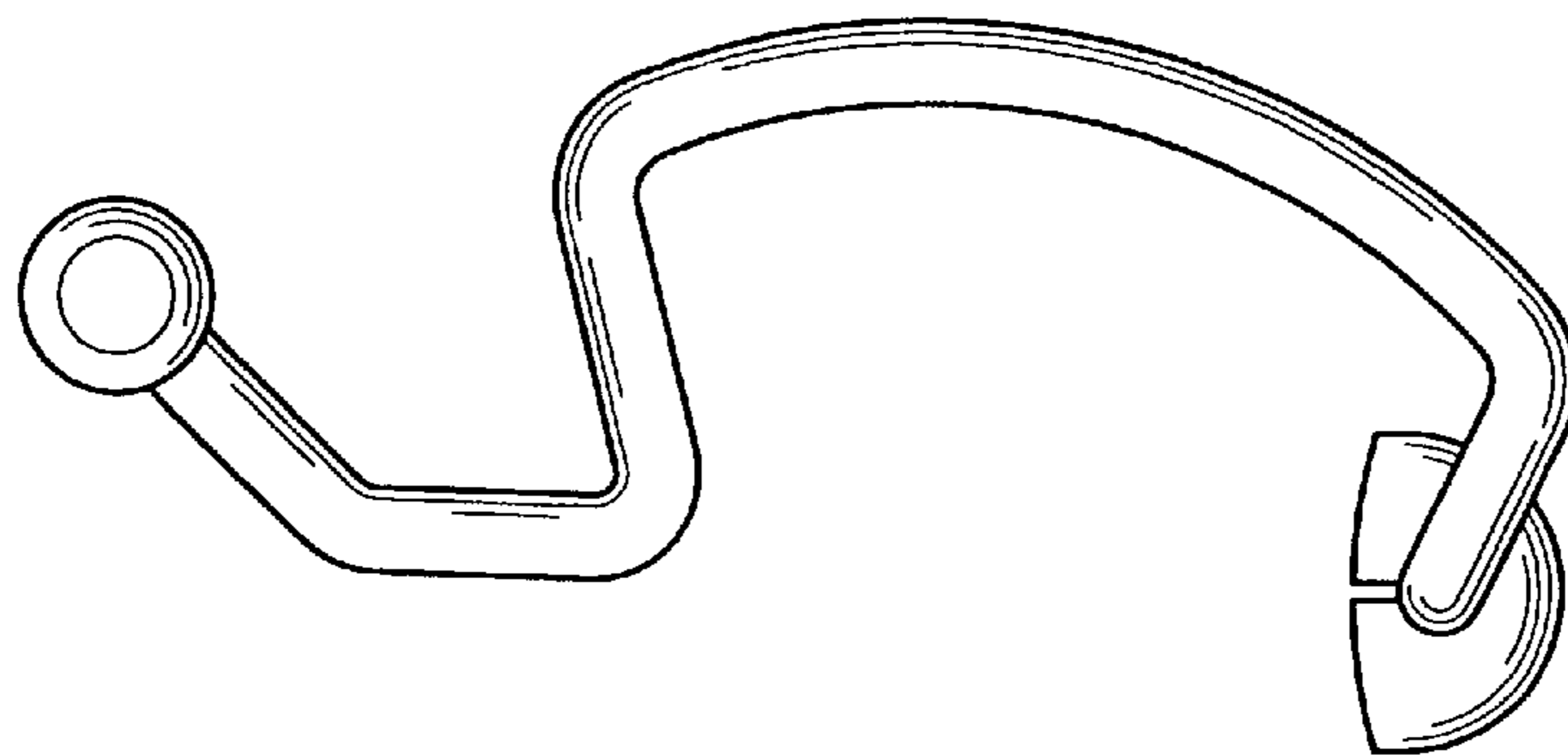


FIG. 4

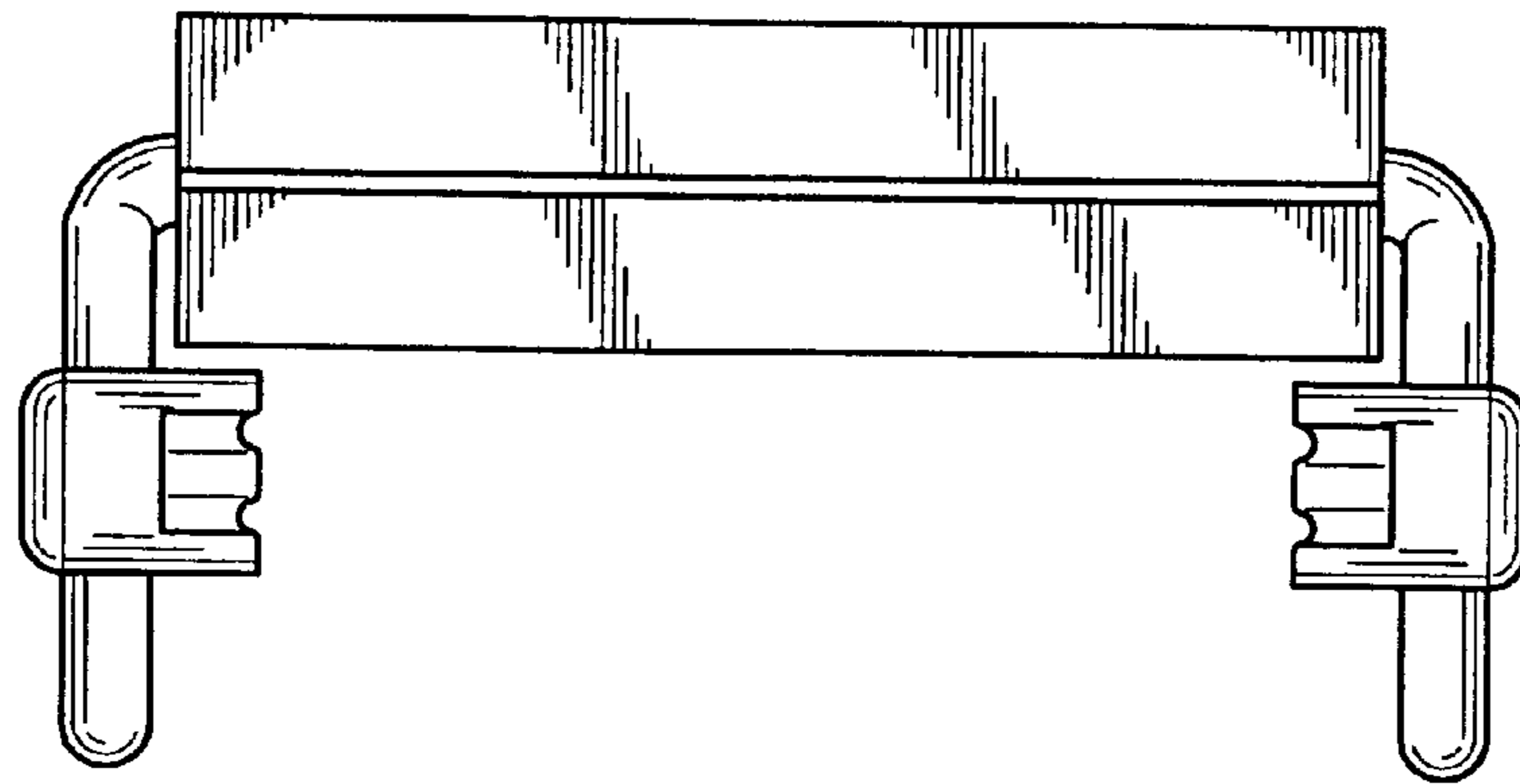


FIG. 6

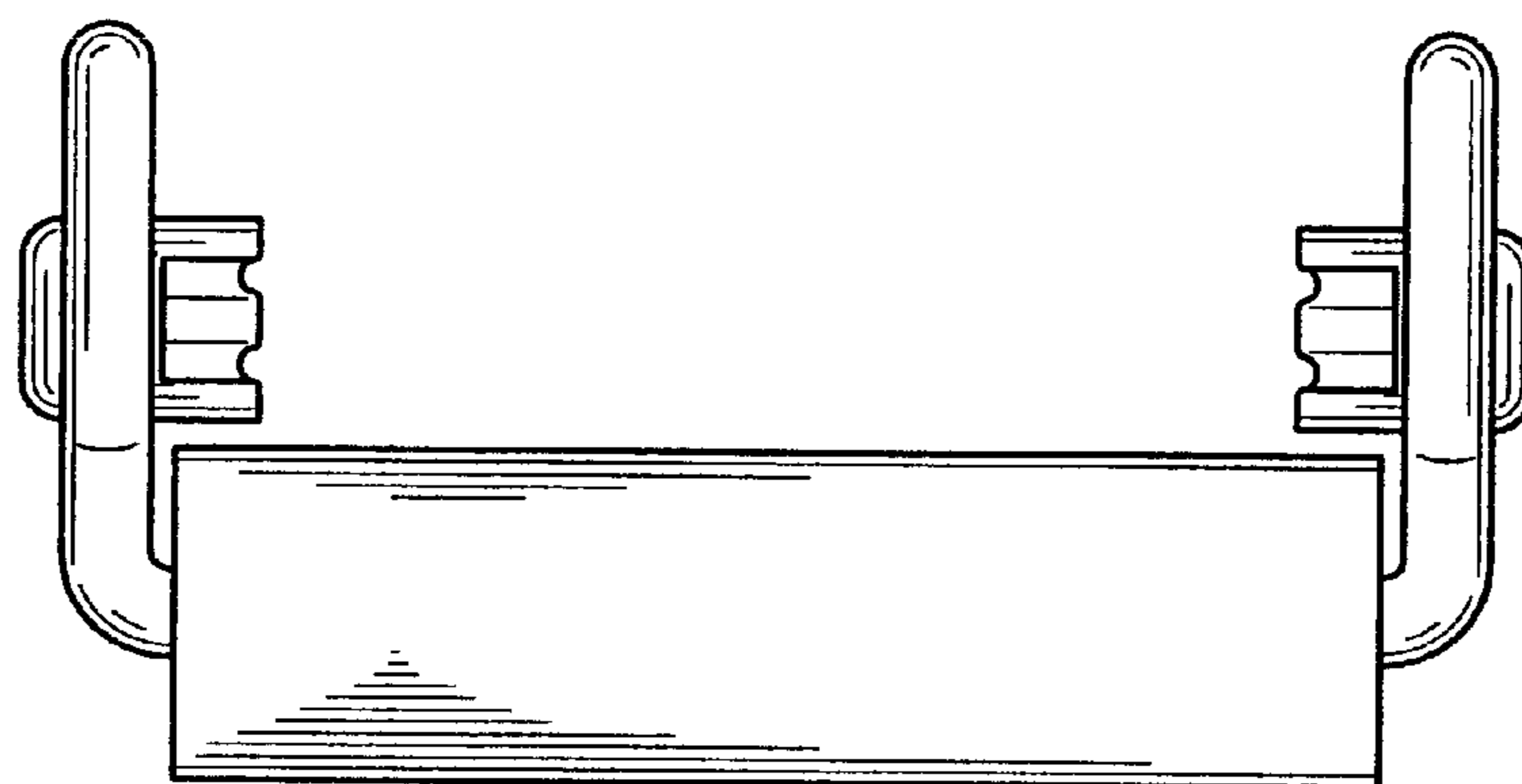


FIG. 7

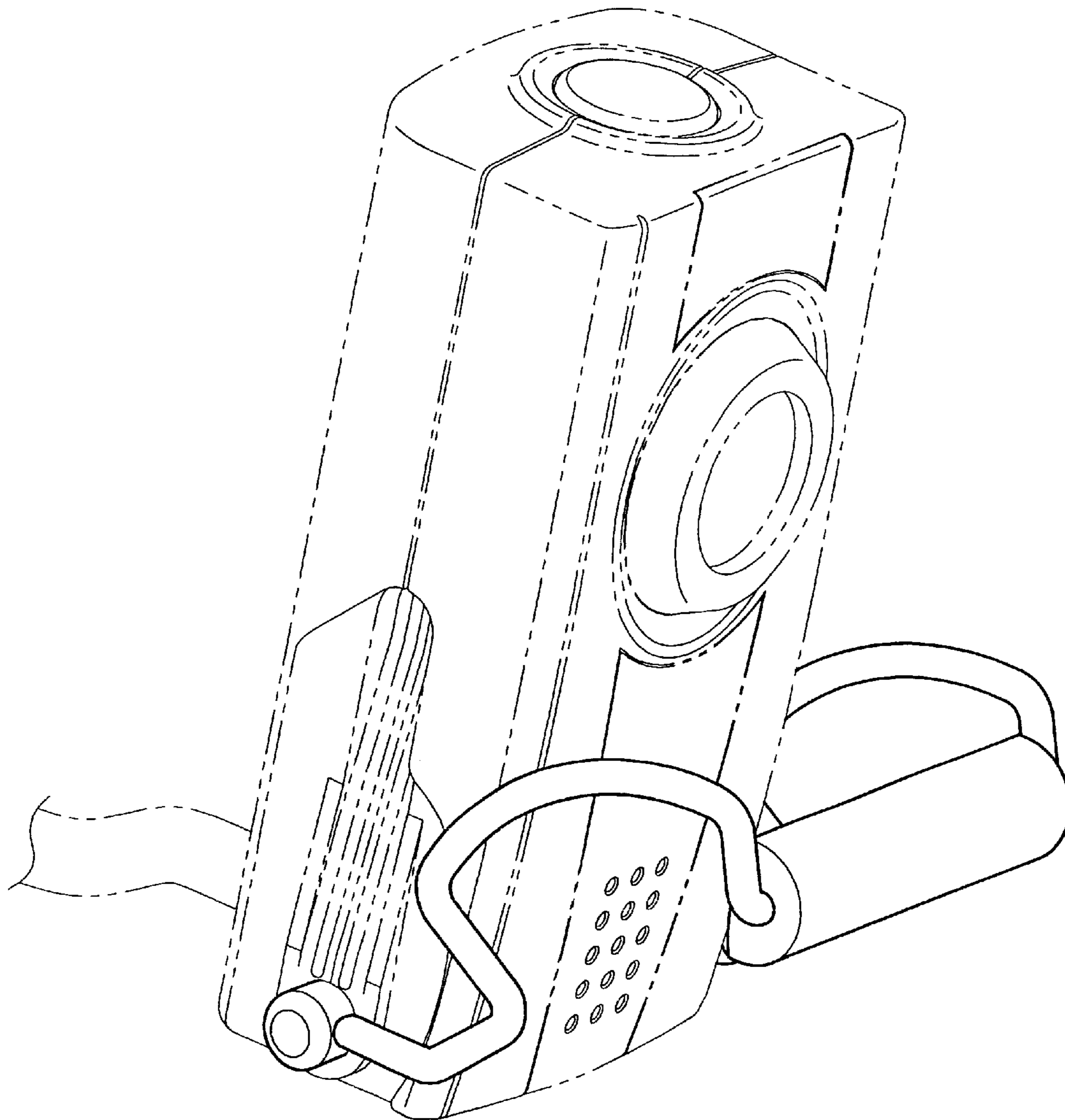


FIG. 8

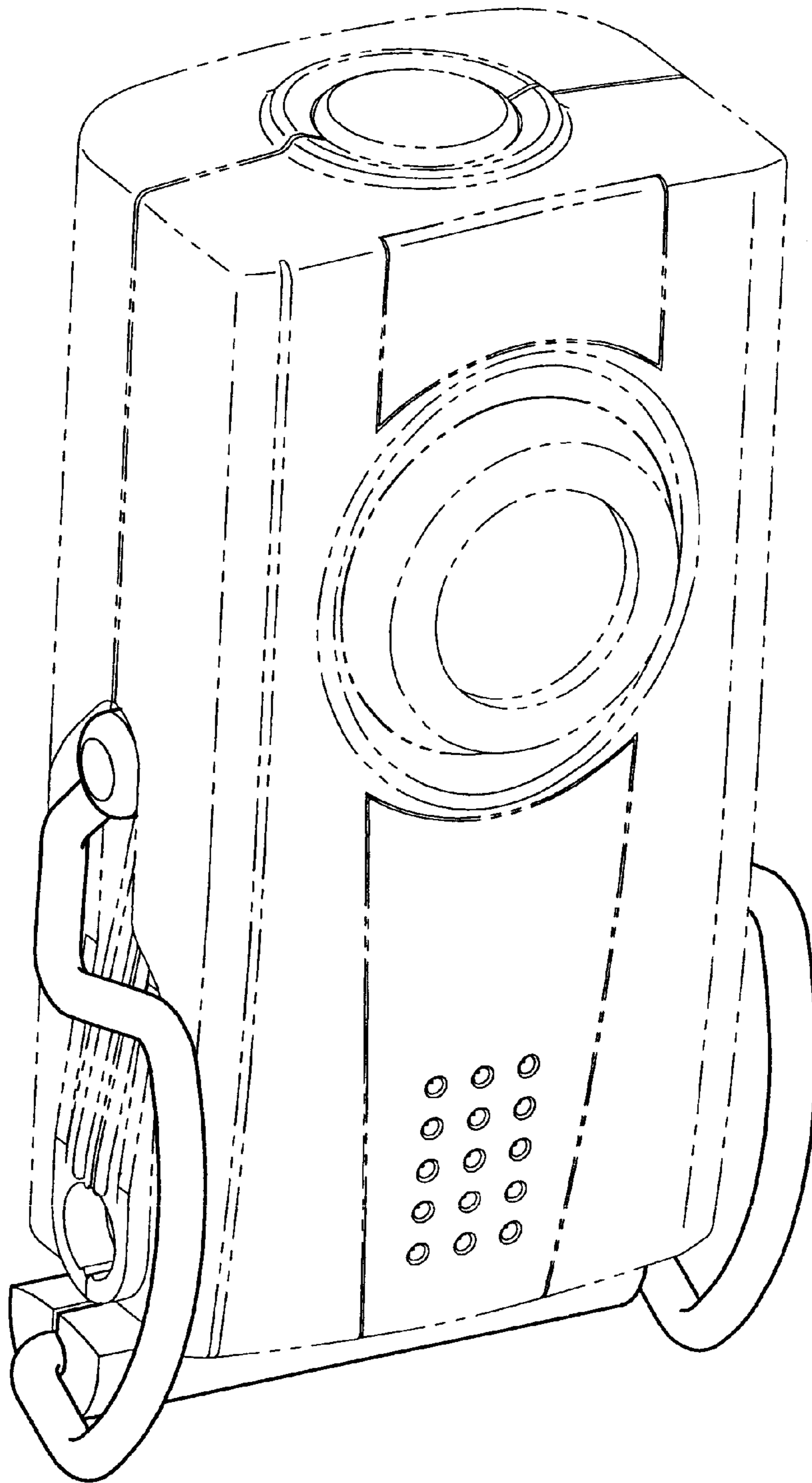


FIG. 9

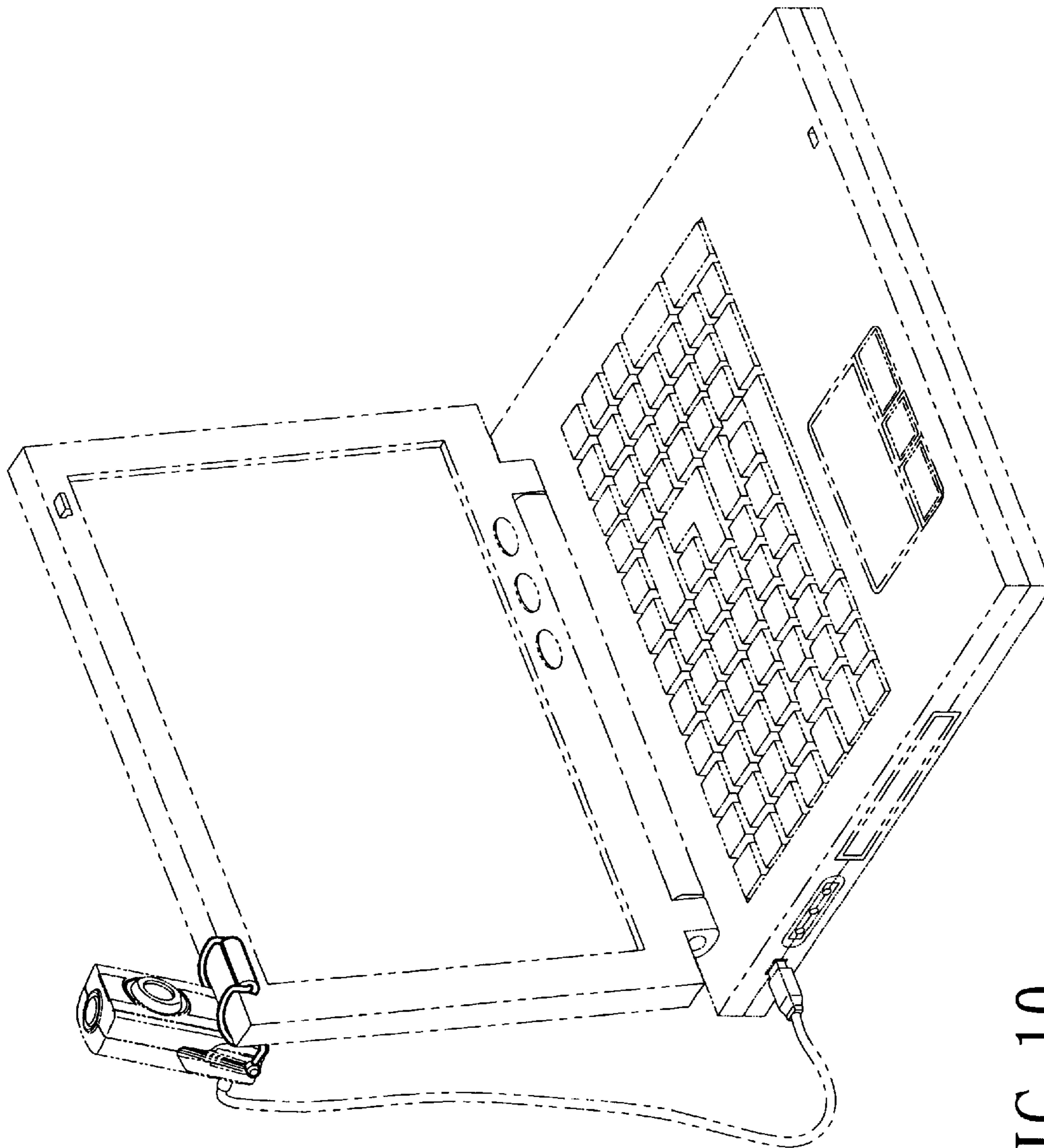


FIG. 10