

US00D525115S

(12) **United States Design Patent**
Harwanko

(10) **Patent No.:** **US D525,115 S**
(45) **Date of Patent:** **** Jul. 18, 2006**

(54) **END CAP FOR SUPPORT ROD**
(75) Inventor: **Jeffrey B. Harwanko**, Wilmington, DE (US)
(73) Assignee: **Zenith Products Corp.**, New Castle, DE (US)
(**) Term: **14 Years**

(21) Appl. No.: **29/230,295**
(22) Filed: **May 19, 2005**

(51) **LOC (8) Cl.** **08-05**
(52) **U.S. Cl.** **D8/376; D8/378**
(58) **Field of Classification Search** D8/300,
D8/301, 307, 310, 312, 319-320, 376-378;
D6/524; D26/154; 211/86.01, 87.01; 428/28;
16/110.1, 414, 417, 441
See application file for complete search history.

(56) **References Cited**

U.S. PATENT DOCUMENTS

D173,850 S * 1/1955 Ohno D8/310
D179,458 S * 12/1956 Ohno D8/310
D199,927 S * 12/1964 Schlage D8/310
D238,241 S * 12/1975 Ziakin D7/393
D301,681 S * 6/1989 Jans D8/312

D368,841 S * 4/1996 Merino D8/310
D372,185 S * 7/1996 Doughty et al. D8/310
D383,371 S * 9/1997 Doughty et al. D8/310
D404,292 S * 1/1999 Weber D8/378
D438,755 S * 3/2001 Rae D7/393
D492,887 S * 7/2004 Wu D8/310
D506,665 S * 6/2005 Sun et al. D8/310
D511,291 S * 11/2005 Van Handel D8/310

* cited by examiner

Primary Examiner—Holly Baynham
Assistant Examiner—Cynthia M. Chin
(74) *Attorney, Agent, or Firm*—Akin Gump Strauss Hauer & Feld, LLP

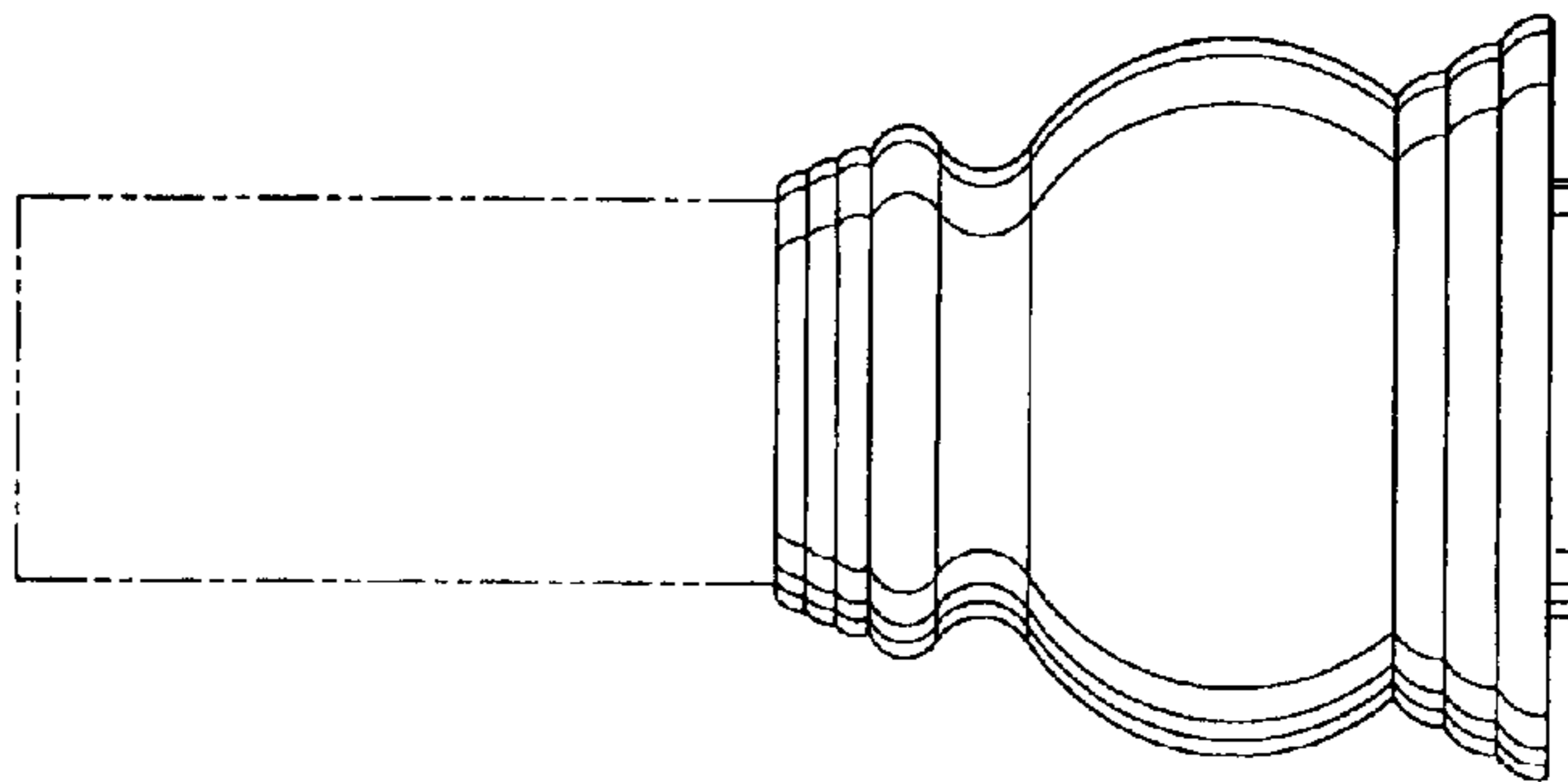
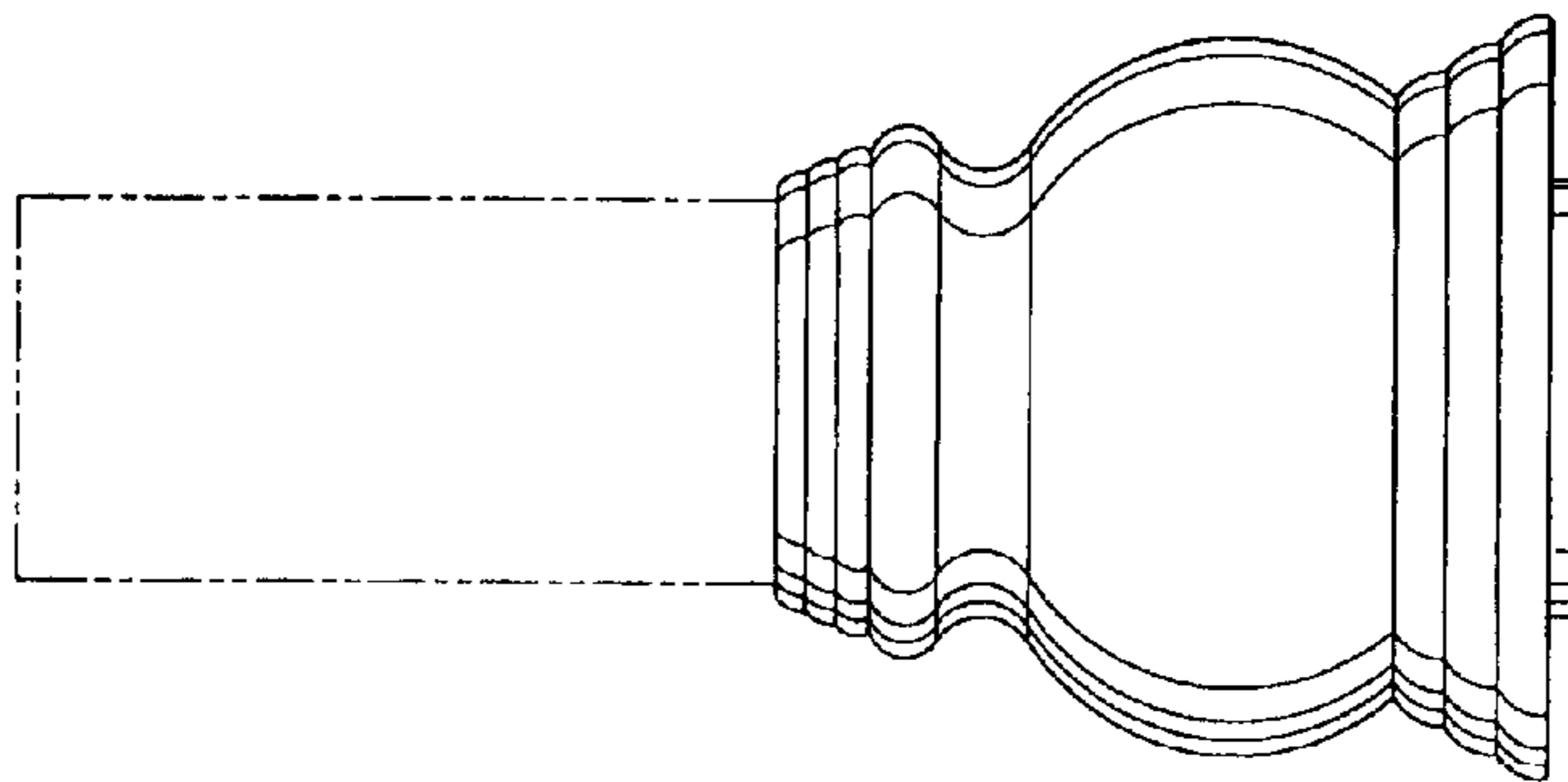
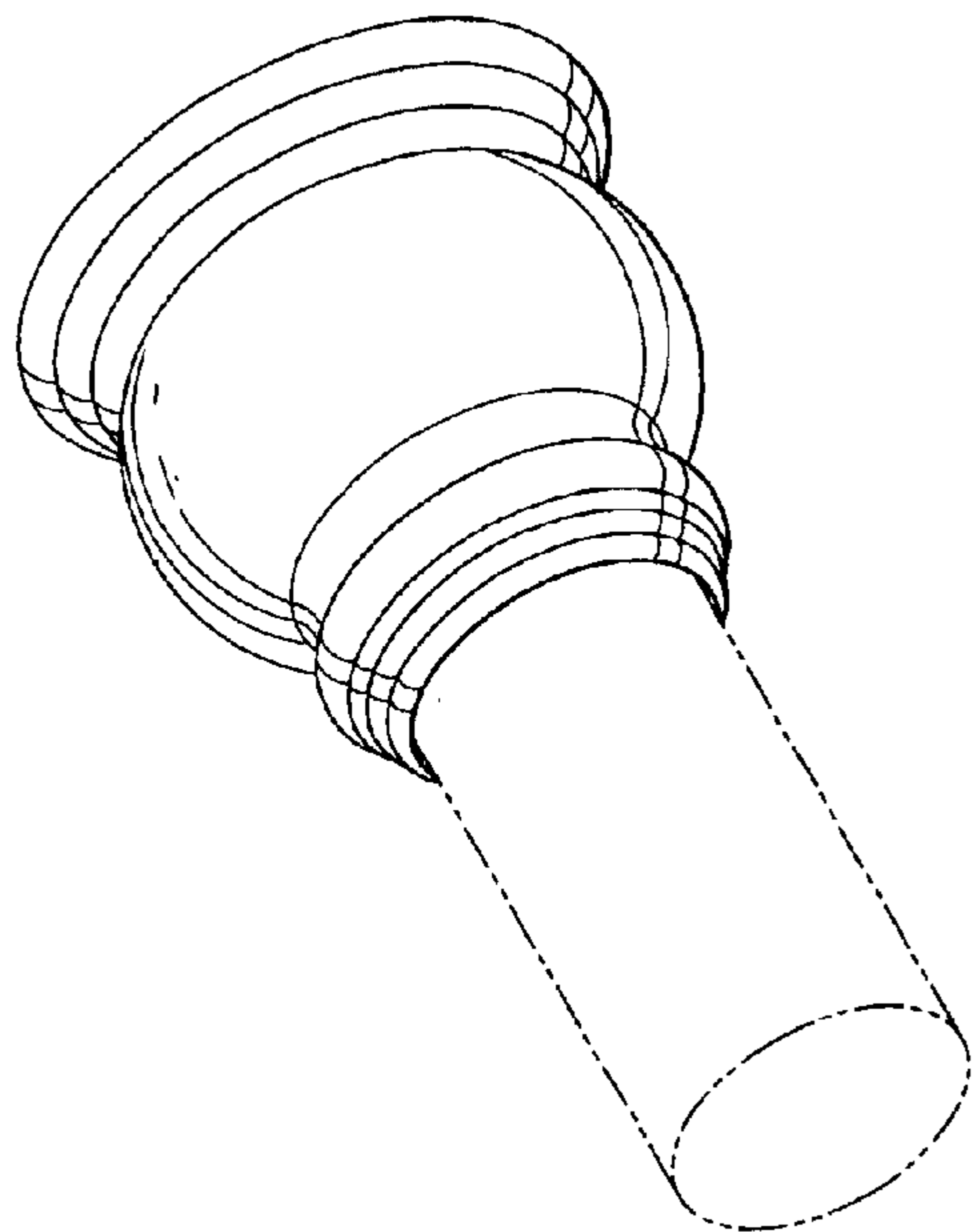
(57) **CLAIM**

The ornamental design for an end cap for support rod, as shown and described.

DESCRIPTION

FIG. 1 is a perspective view of an end cap for support rod showing my new design;
FIG. 2 is a side view thereof; and,
FIG. 3 is a front end view thereof.
The broken lines are for illustrative purposes only and form no part of the claimed design.

1 Claim, 1 Drawing Sheet



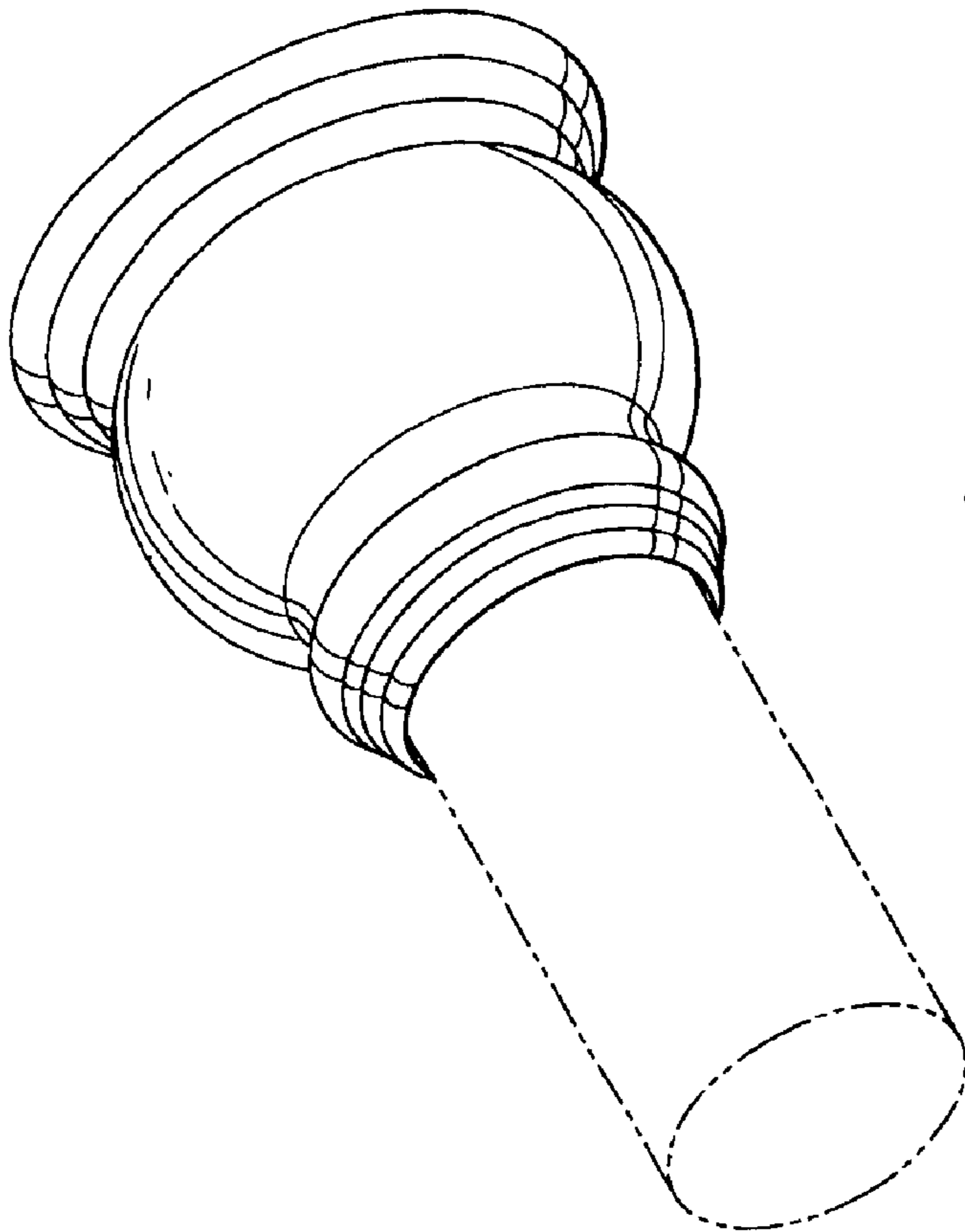


Fig-1

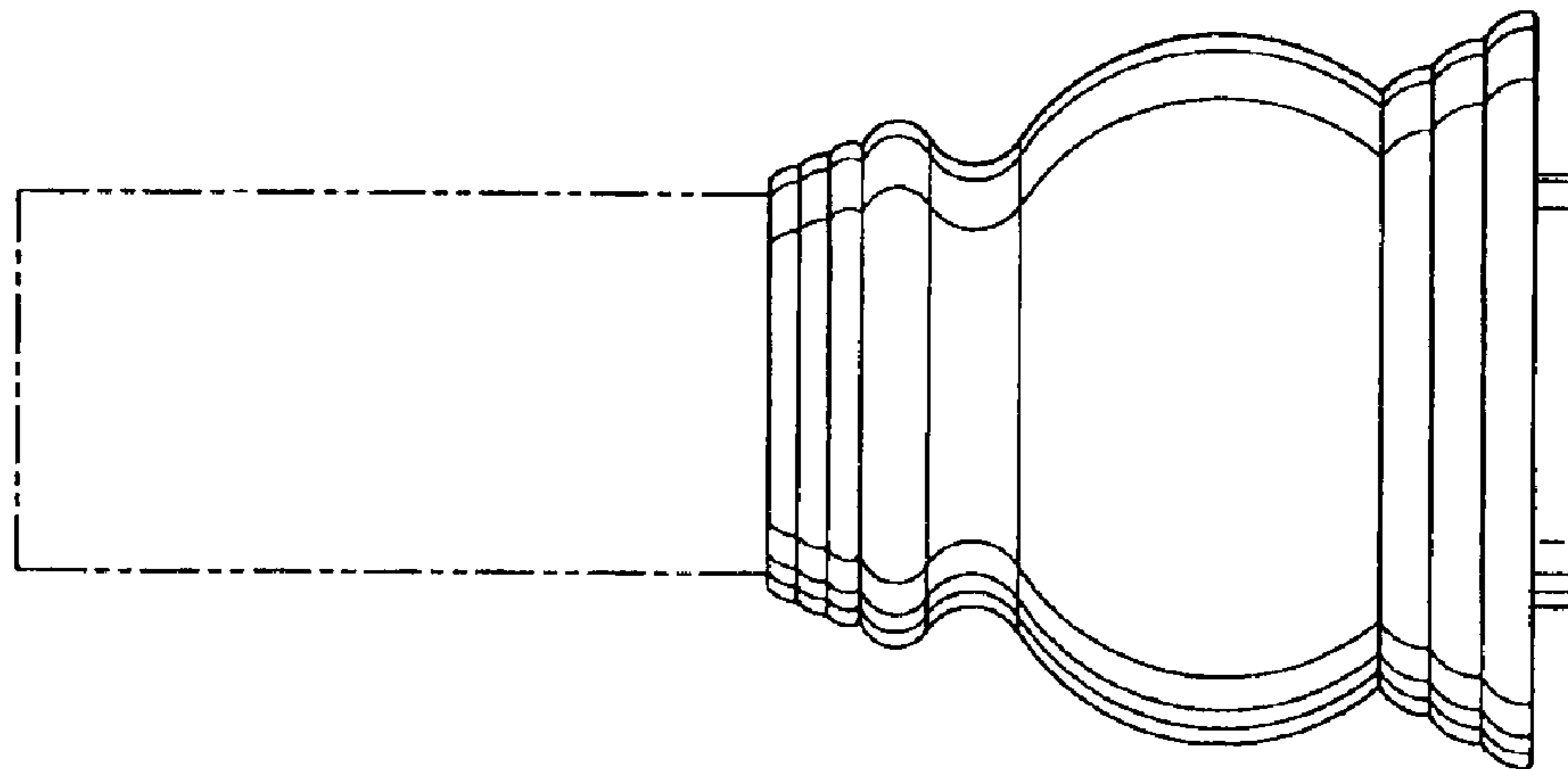


Fig-2

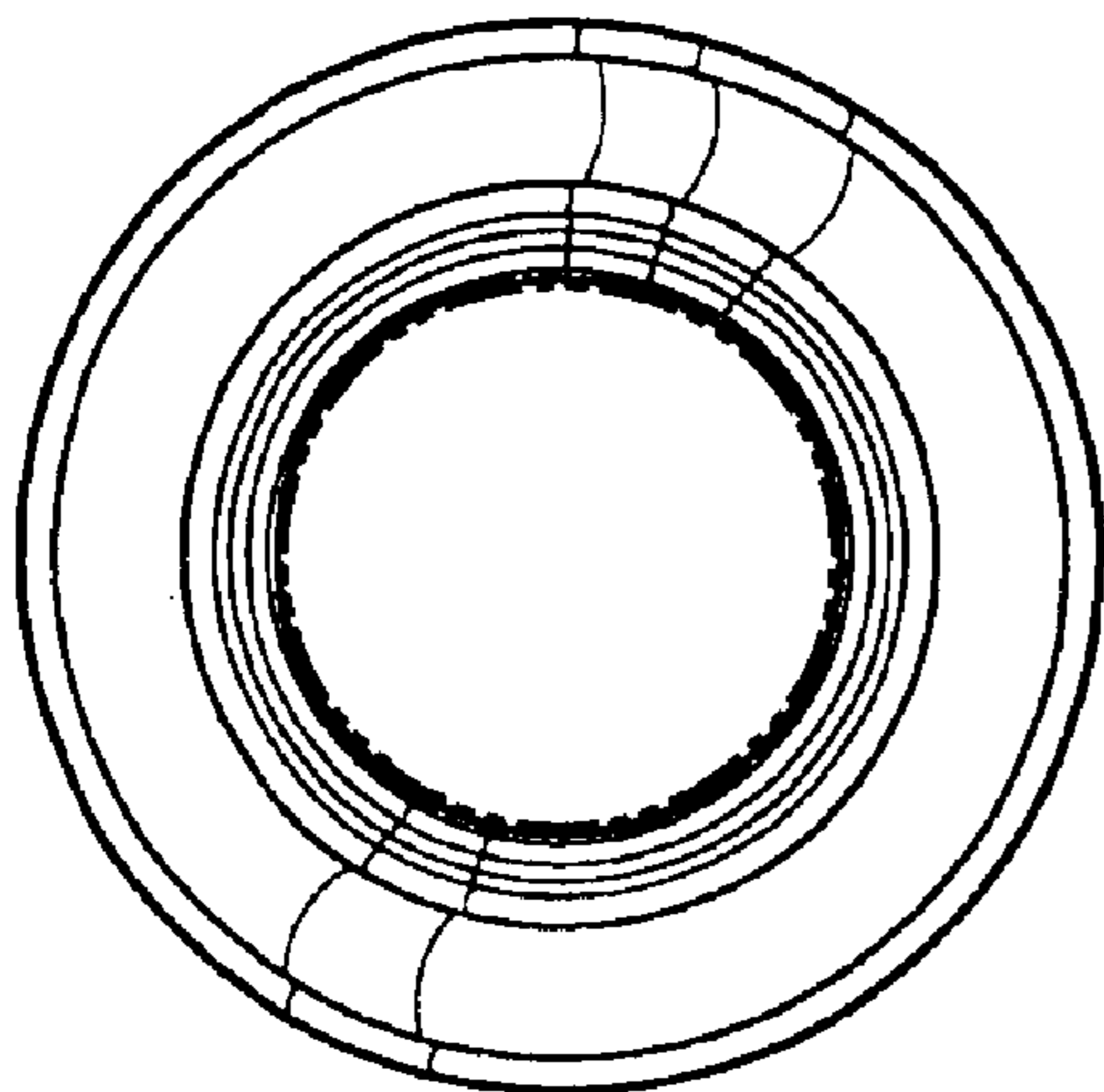


Fig-3