

US00D525111S

(12) **United States Design Patent**
Farrell et al.

(10) **Patent No.:** **US D525,111 S**
(45) **Date of Patent:** **** Jul. 18, 2006**

- (54) **SLIDING DOOR LOCK HANDLE**
- (75) Inventors: **Shelley Ellen Farrell**, Brisbane (AU);
Garth Colin Keightley, Brisbane (AU)
- (73) Assignee: **Assa Abloy New Zealand Limited**,
Wellington (NZ)
- (**) Term: **14 Years**

- (21) Appl. No.: **29/228,191**
- (22) Filed: **Apr. 19, 2005**

(30) **Foreign Application Priority Data**

Oct. 20, 2004 (NZ) 405423

- (51) **LOC (8) Cl.** **08-07**
- (52) **U.S. Cl.** **D8/331; D8/343; D8/339**
- (58) **Field of Classification Search** D8/330,
D8/331, 339, 341, 342, 302, 300; 292/137,
292/157, 163, 171, 175, 150, DIG. 30; 70/14,
70/51, 52, 141

See application file for complete search history.

(56) **References Cited**

U.S. PATENT DOCUMENTS

- 4,790,579 A * 12/1988 Maxwell et al. 292/175
- D422,288 S * 4/2000 Alvring et al. D15/89
- D424,403 S * 5/2000 Workman et al. D8/320
- 6,079,527 A * 6/2000 Kuo 190/115
- 6,173,592 B1 * 1/2001 Yu 70/69
- D440,238 S * 4/2001 Alvring et al. D15/89
- D442,464 S * 5/2001 Richardson D8/330
- D452,998 S * 1/2002 Speed D8/341
- D480,621 S * 10/2003 Ling D8/331
- D483,649 S * 12/2003 Linford et al. D8/339

D495,237 S * 8/2004 Tozer D8/343

* cited by examiner

Primary Examiner—Prabhakar Deshmukh

(74) *Attorney, Agent, or Firm*—Blakely Sokoloff Taylor &
Zafman

(57) **CLAIM**

The ornamental design for a sliding door lock handle, as shown and described.

DESCRIPTION

FIG. 1 is a perspective view of the sliding door lock handle showing our new design;

FIG. 2 is a perspective view of the sliding door lock handle of FIG. 1 as seen from the rear of FIG. 1;

FIG. 3 is a front elevation of the sliding door lock handle of FIG. 1;

FIG. 4 is a side elevation view as seen from the left of FIG. 3;

FIG. 5 is a rear elevation of the sliding door lock handle, as seen from the rear of FIG. 3;

FIG. 6 is a side elevation view as seen from the right side of FIG. 3;

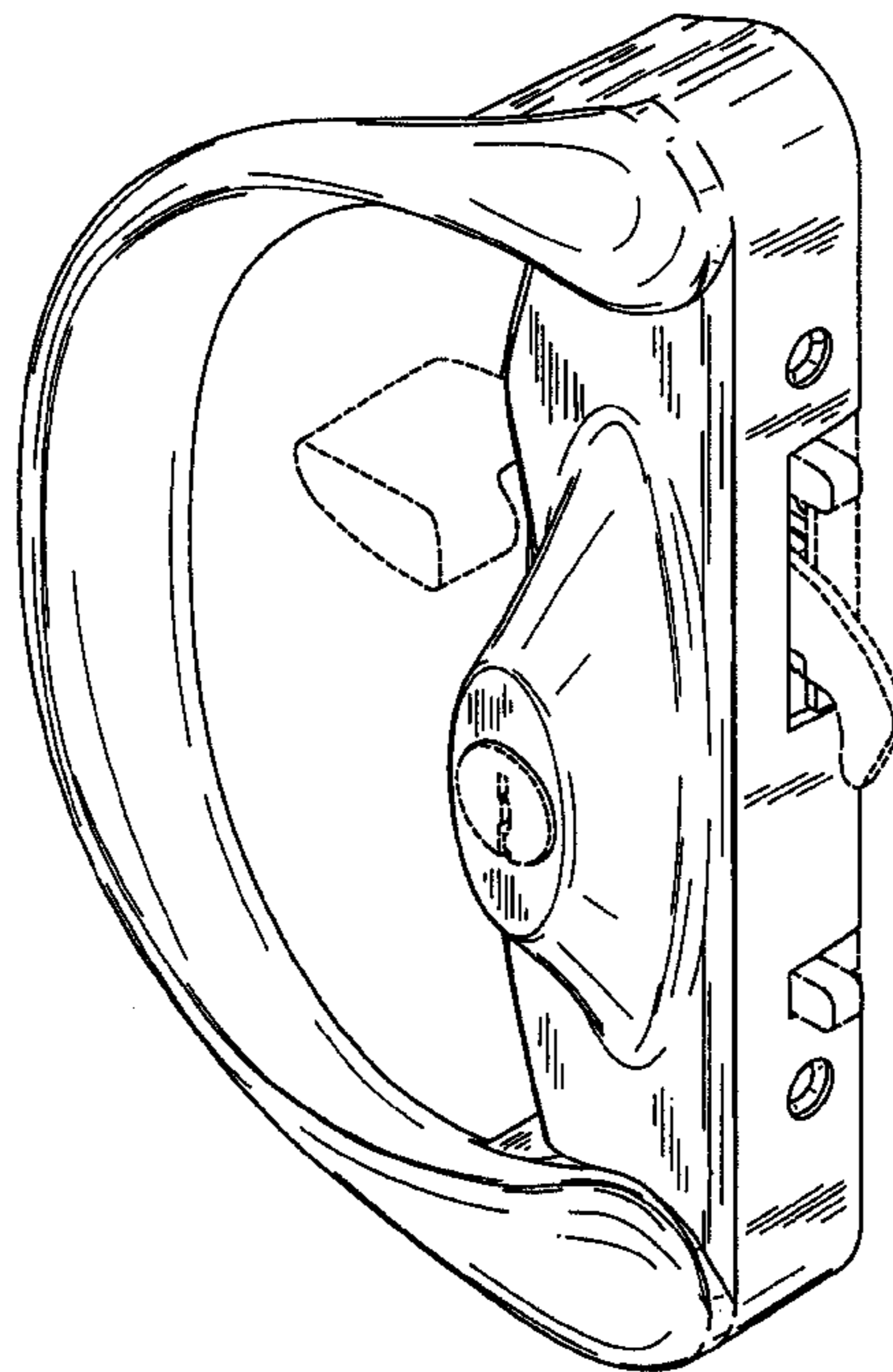
FIG. 7 is an end elevation view as seen from the bottom of FIG. 3;

FIG. 8 is an end elevation view from above FIG. 3; and,

FIG. 9 is a perspective view similar to FIG. 1, but showing a strike.

The broken lines, which define the bounds of the claimed design, form no part thereof. The broken line environmental showing is for illustrative purpose only and forms no part of the claimed design.

1 Claim, 8 Drawing Sheets



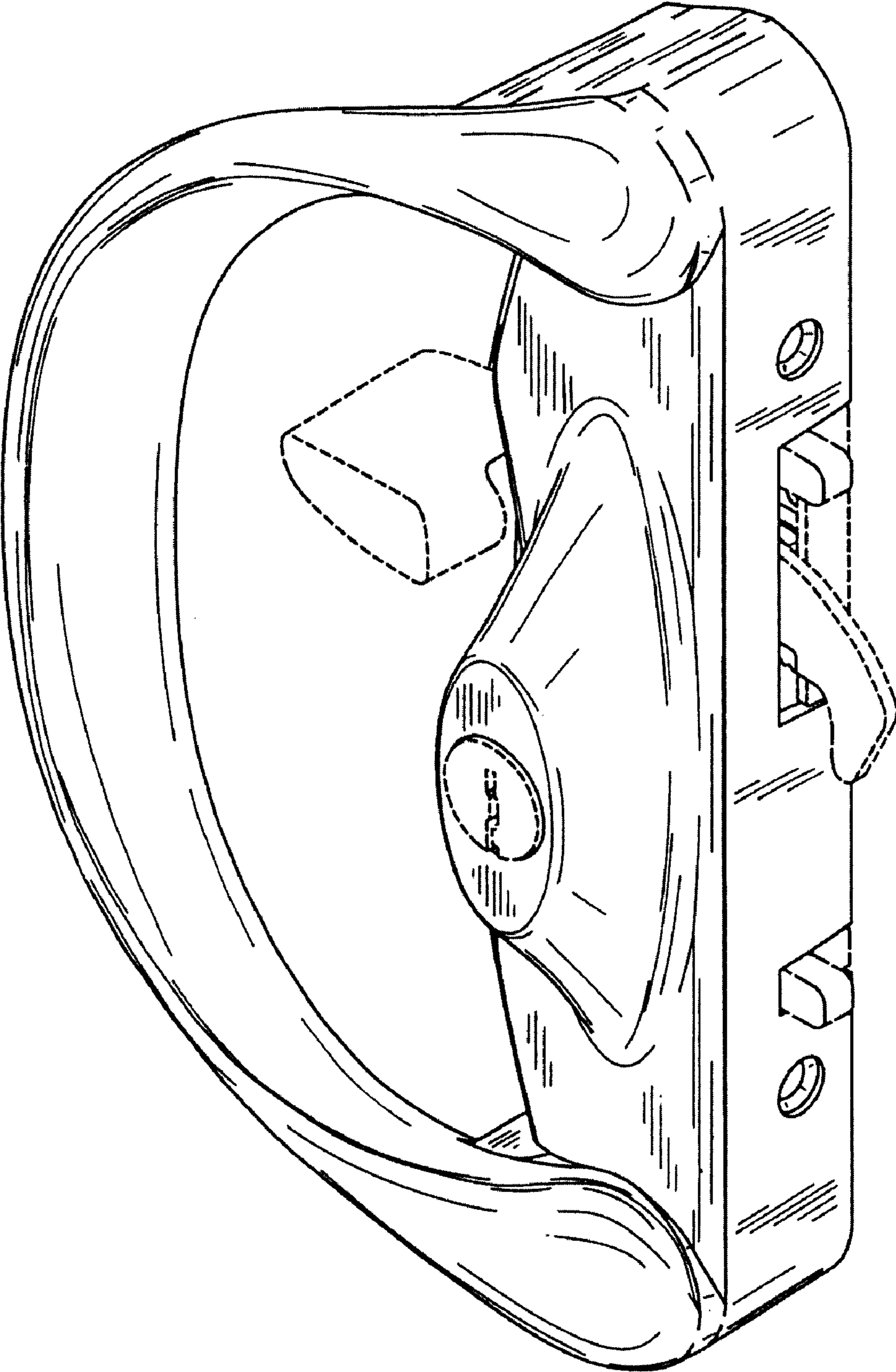


FIG. 1

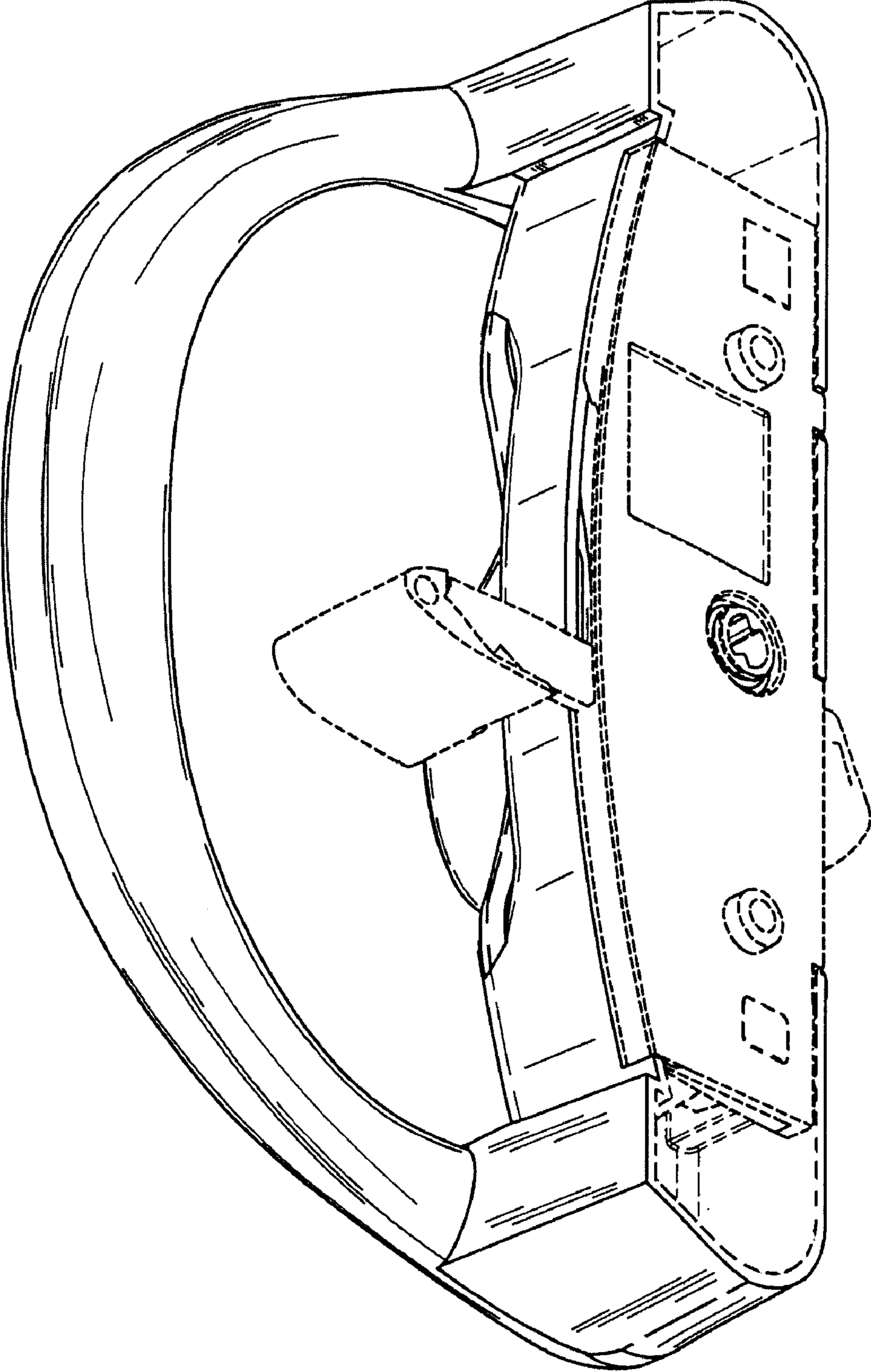


FIG. 2

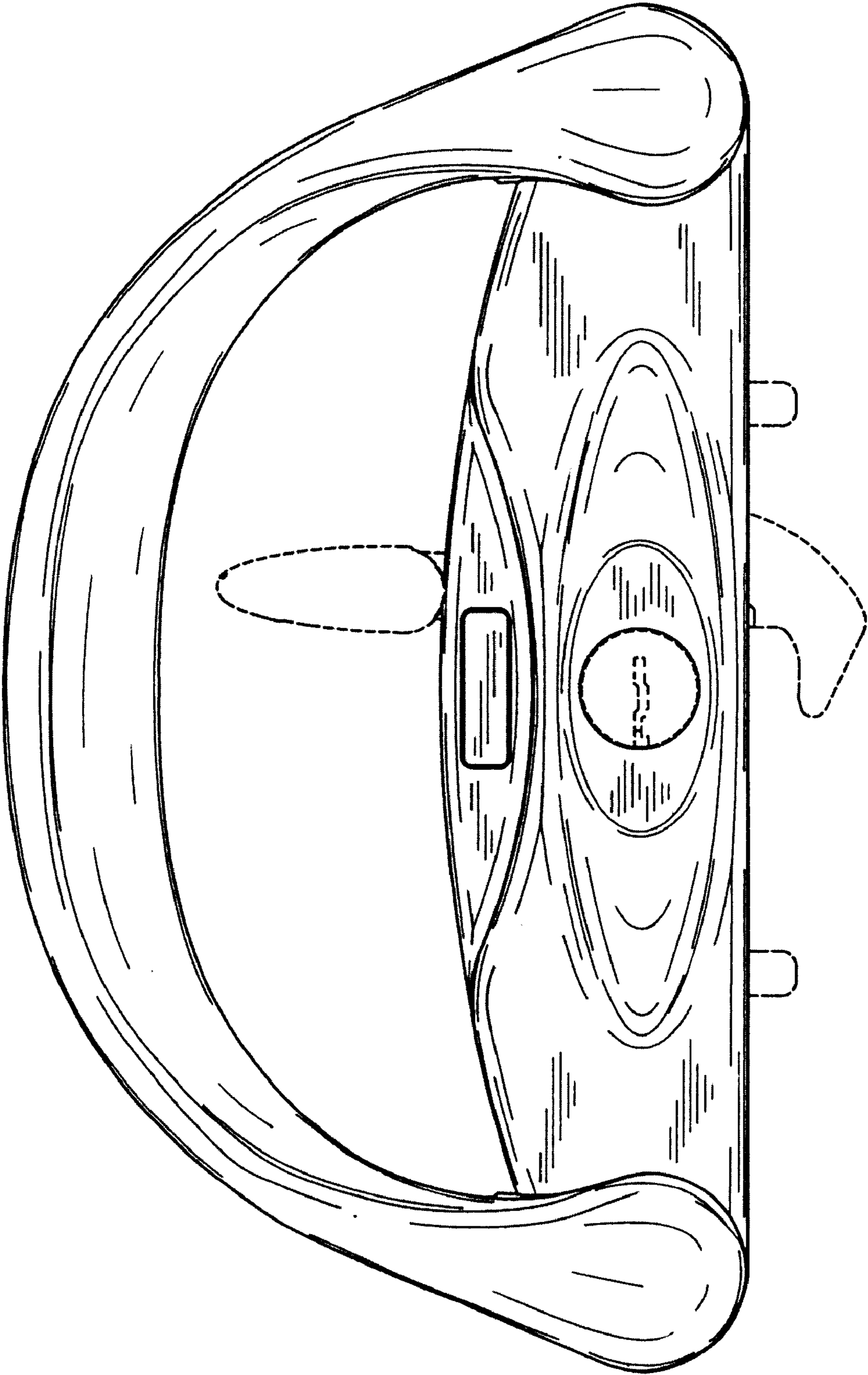


FIG. 3

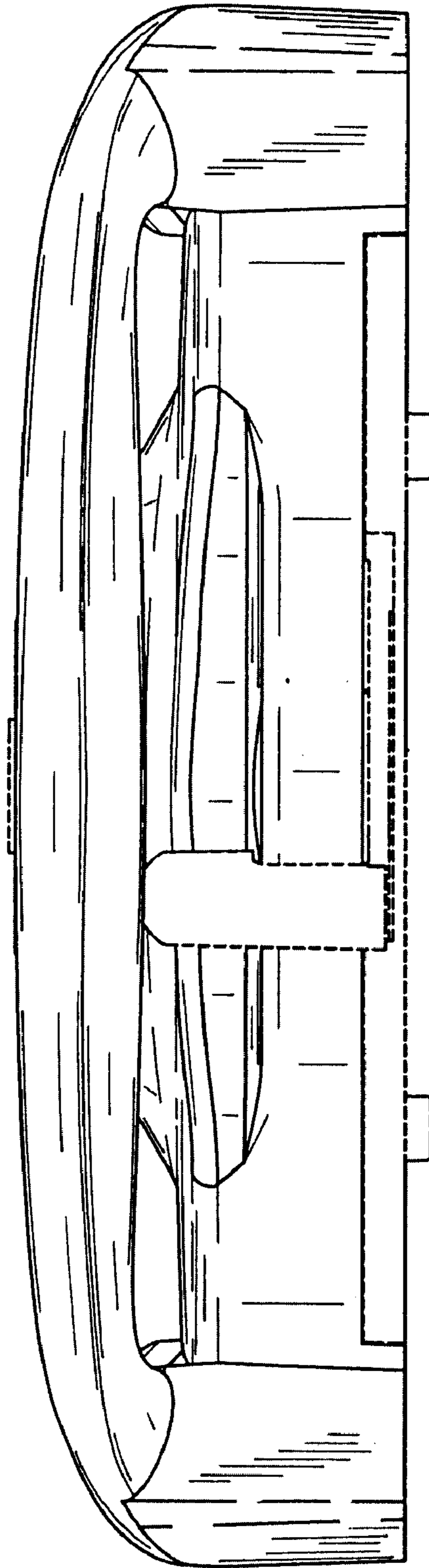


FIG. 4

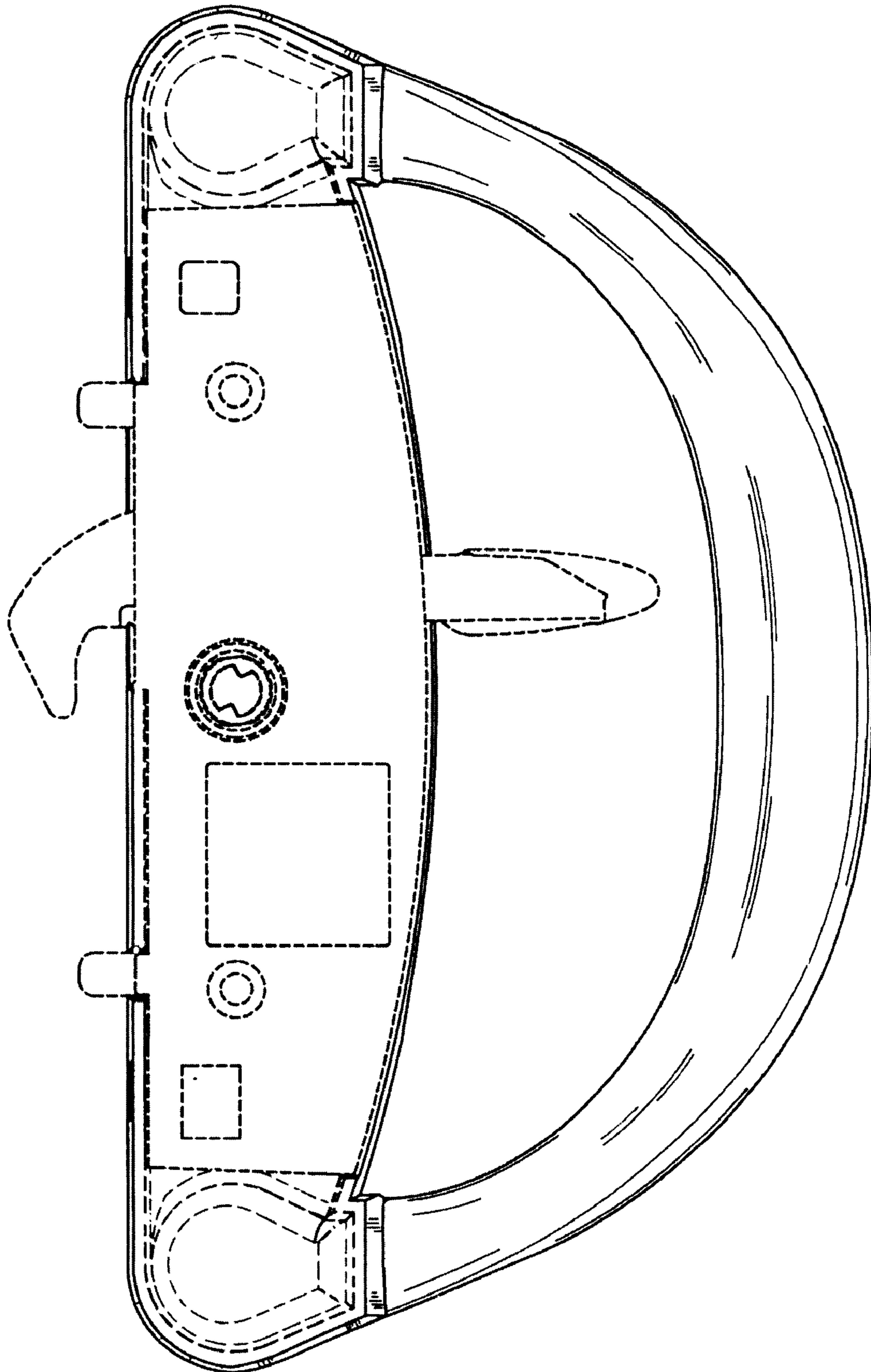


FIG. 5

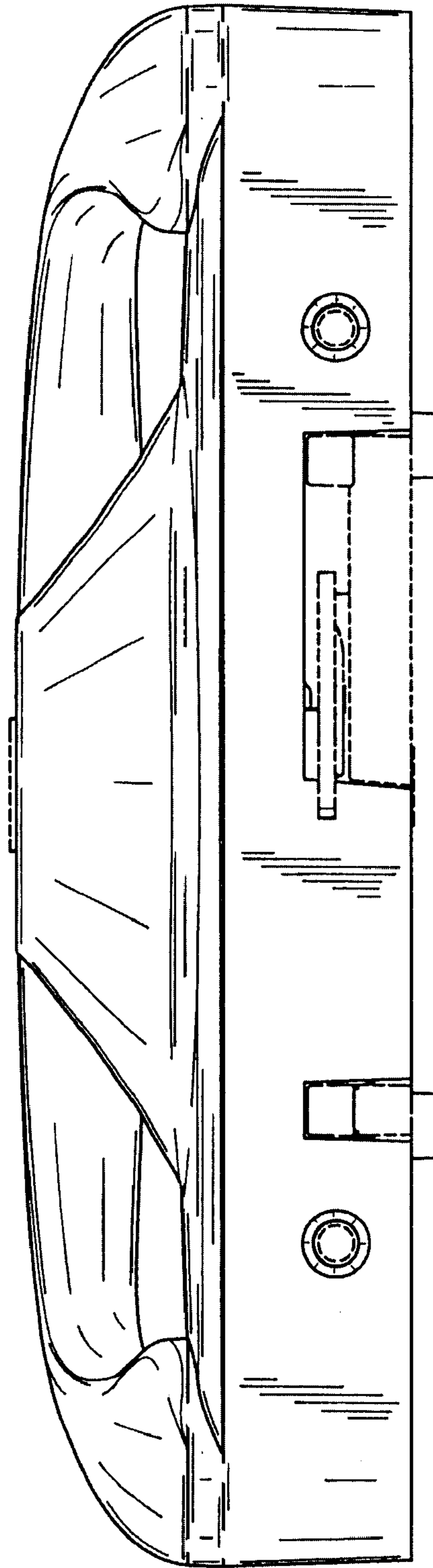


FIG. 6

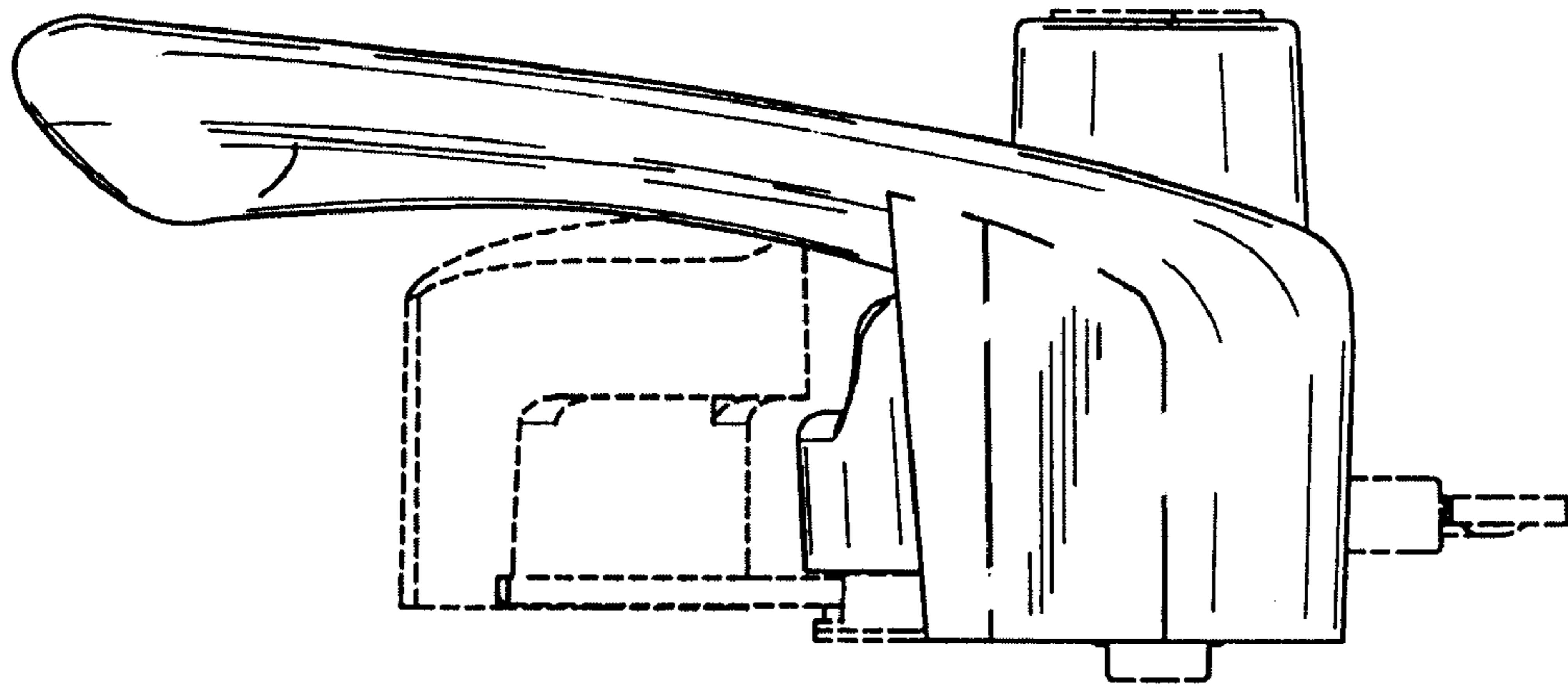


FIG. 7

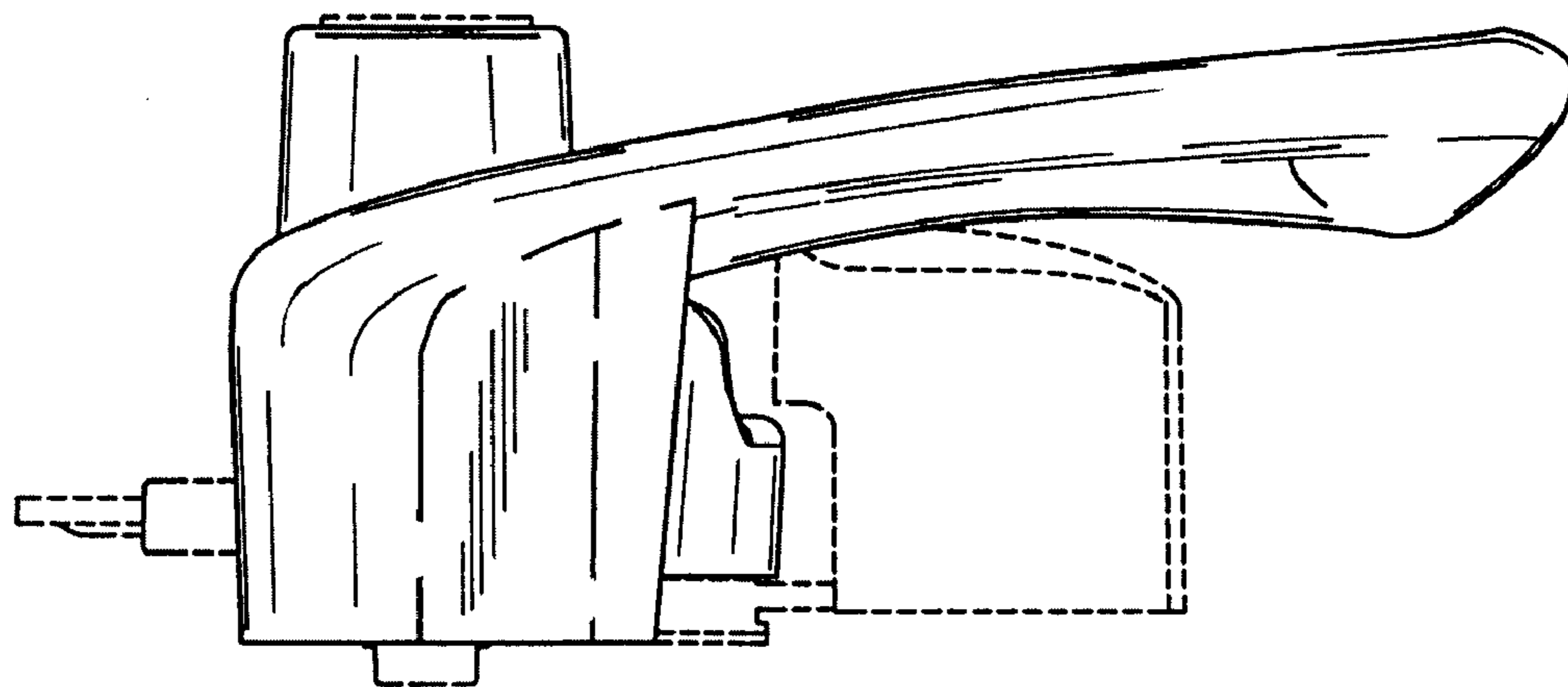


FIG. 8

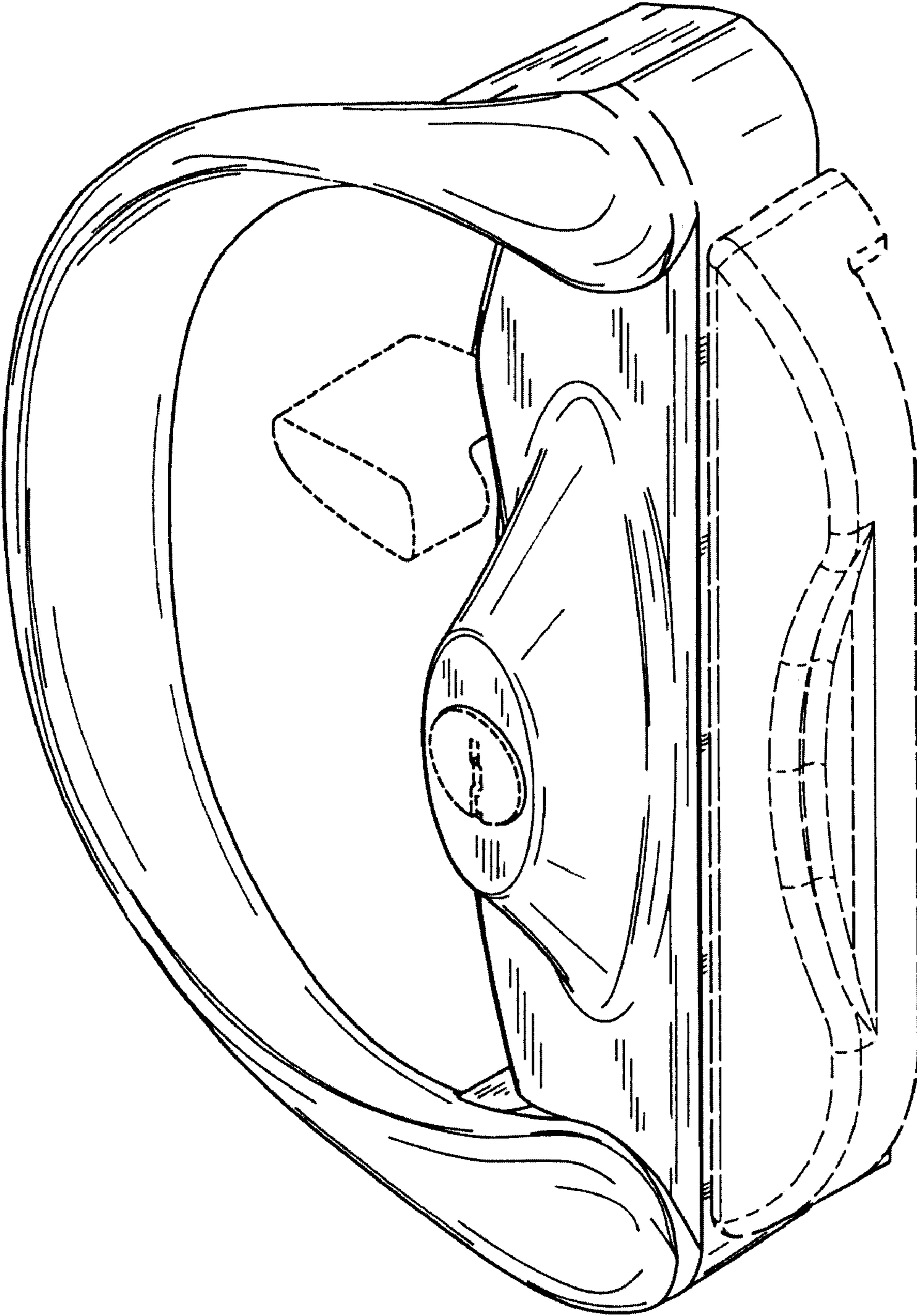


FIG. 9

UNITED STATES PATENT AND TRADEMARK OFFICE
CERTIFICATE OF CORRECTION

PATENT NO. : Des. 525,111 S
APPLICATION NO. : 29/228191
DATED : July 18, 2006
INVENTOR(S) : Farrell et al.

Page 1 of 1

It is certified that error appears in the above-identified patent and that said Letters Patent is hereby corrected as shown below:

TITLE PAGE,
In Item [75], please delete "Keightley" and insert -- Keighley --.

Signed and Sealed this

Twenty-third Day of October, 2007

A handwritten signature in black ink on a light gray dotted background. The signature reads "Jon W. Dudas" in a cursive style.

JON W. DUDAS

Director of the United States Patent and Trademark Office