

US00D525110S

(12) **United States Design Patent**
Beard et al.

(10) **Patent No.:** **US D525,110 S**

(45) **Date of Patent:** **** Jul. 18, 2006**

(54) **CABLE LOCKING DEVICE**
(75) Inventors: **Wanda K. Beard**, Angola, IN (US);
Paul A. Littrell, Fort Wayne, IN (US);
David L. Gilbert, Fort Wayne, IN (US)

(73) Assignee: **Brammall, Inc.**, Angola, IN (US)

(**) Term: **14 Years**

(21) Appl. No.: **29/228,921**

(22) Filed: **Apr. 29, 2005**

(51) **LOC (8) Cl.** **08-07**

(52) **U.S. Cl.** **D8/330; D8/383**

(58) **Field of Classification Search** **D8/330,**
D8/333, 339, 343, 349, 367, 382, 383, 387,
D8/394, 499; 70/51, 431, 466; 292/307 R,
292/317, 318.323, 324, 325

See application file for complete search history.

(56) **References Cited**

U.S. PATENT DOCUMENTS

830,565 A	9/1906	Brown	
918,570 A	4/1909	Mather	
968,665 A	8/1910	Humphrey	
970,529 A	9/1910	Miller	
1,001,878 A	8/1911	Miller	
1,587,754 A	6/1926	Brune, Sr.	
1,682,396 A	8/1928	Miller	
2,809,065 A	10/1957	Erke	
3,770,307 A	11/1973	Van Gompel	
3,994,521 A	* 11/1976	Van Gompel	292/319
4,097,164 A	* 6/1978	Campbell	403/284
D260,730 S	* 9/1981	Fujita	D8/356
4,588,218 A	5/1986	Guiler et al.	
4,681,355 A	7/1987	Brammall et al.	
4,722,562 A	2/1988	Burt	
4,747,631 A	* 5/1988	Loynes et al.	292/307 R
4,929,006 A	5/1990	Tsay	
4,946,210 A	8/1990	Fuehrer	
5,056,837 A	10/1991	Fuehrer	

5,092,641 A	*	3/1992	Penick, Jr.	292/307 R
5,222,776 A		6/1993	Georgopoulos et al.	
5,352,003 A		10/1994	Bystry	
5,538,300 A	*	7/1996	Brown	292/307 R
5,568,952 A	*	10/1996	Ruegg	292/318
5,582,447 A		12/1996	Leon et al.	
5,611,583 A	*	3/1997	Bystry et al.	292/307 R
5,647,620 A		7/1997	Kuenzel	
5,794,993 A		8/1998	Eckerdt	
6,000,736 A		12/1999	Leon et al.	
6,109,673 A		8/2000	Olshausen	
6,131,969 A		10/2000	Natkins	
6,293,599 B1		9/2001	Garcia	
6,401,502 B1	*	6/2002	Yang	70/30
D467,794 S	*	12/2002	Ueno	D8/383
D472,135 S	*	3/2003	Labbe	D8/394
D484,782 S	*	1/2004	Fuehrer	D8/383
D485,161 S	*	1/2004	Hutchinson	D8/383
2004/0124641 A1		7/2004	Palzkill et al.	

* cited by examiner

Primary Examiner—Prabhakar Deshmukh

(74) *Attorney, Agent, or Firm*—Van Dyke, Gardner, Linn & Burkhardt, LLP

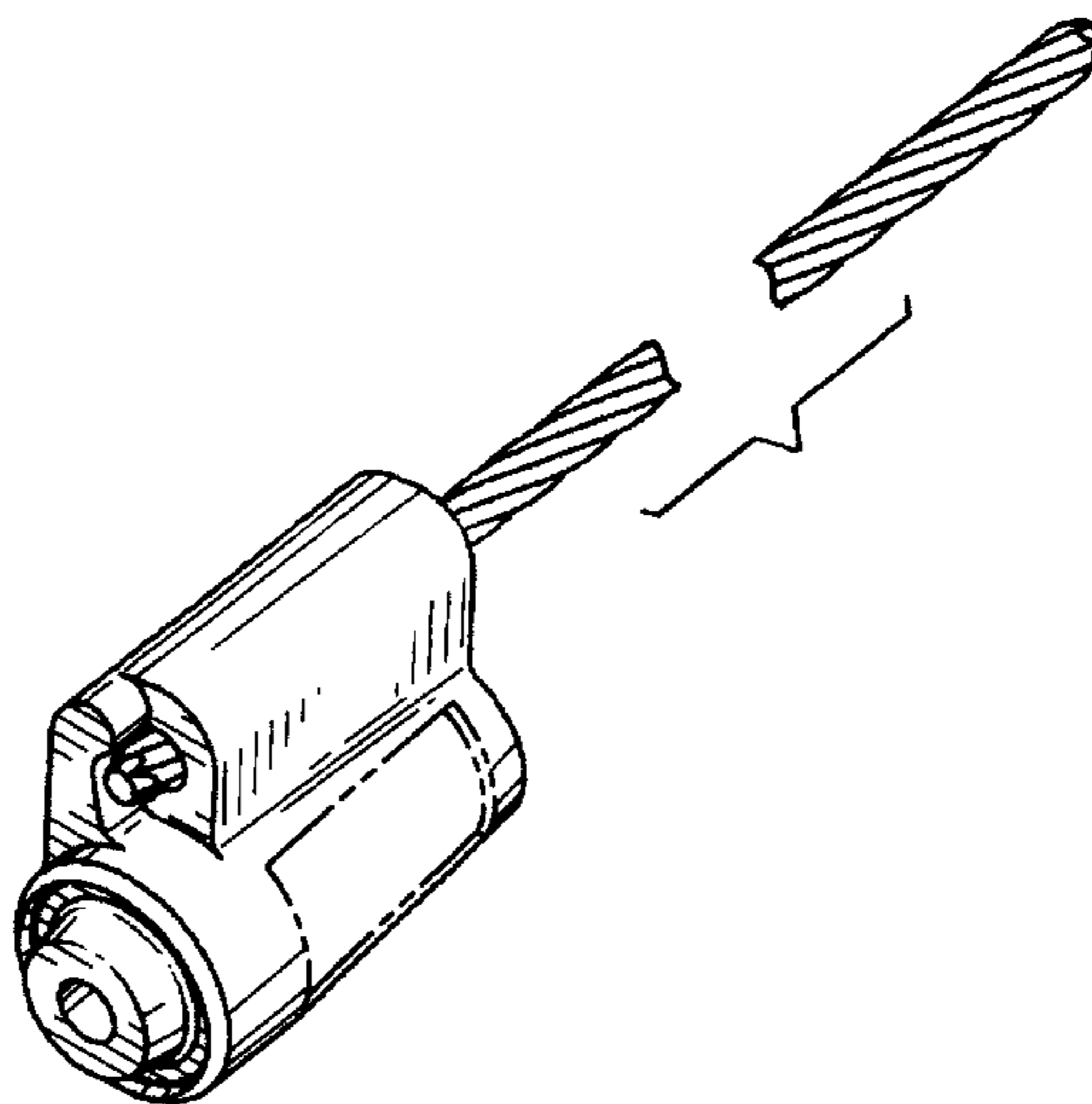
(57) **CLAIM**

The ornamental design for a cable locking device, as shown and described.

DESCRIPTION

FIG. 1 is a perspective view of a cable locking device in accordance with the present invention; FIG. 2 is an opposite perspective view thereof; FIG. 3 is another perspective view thereof; FIG. 4 is an end elevation thereof; FIG. 5 is an opposite end elevation thereof; FIG. 6 is a side elevation thereof; and, FIG. 7 is an opposite side elevation thereof. It is understood that the cable represent undermined length. The broken lines are, which define the bounds of the claimed design form no part thereof.

1 Claim, 2 Drawing Sheets



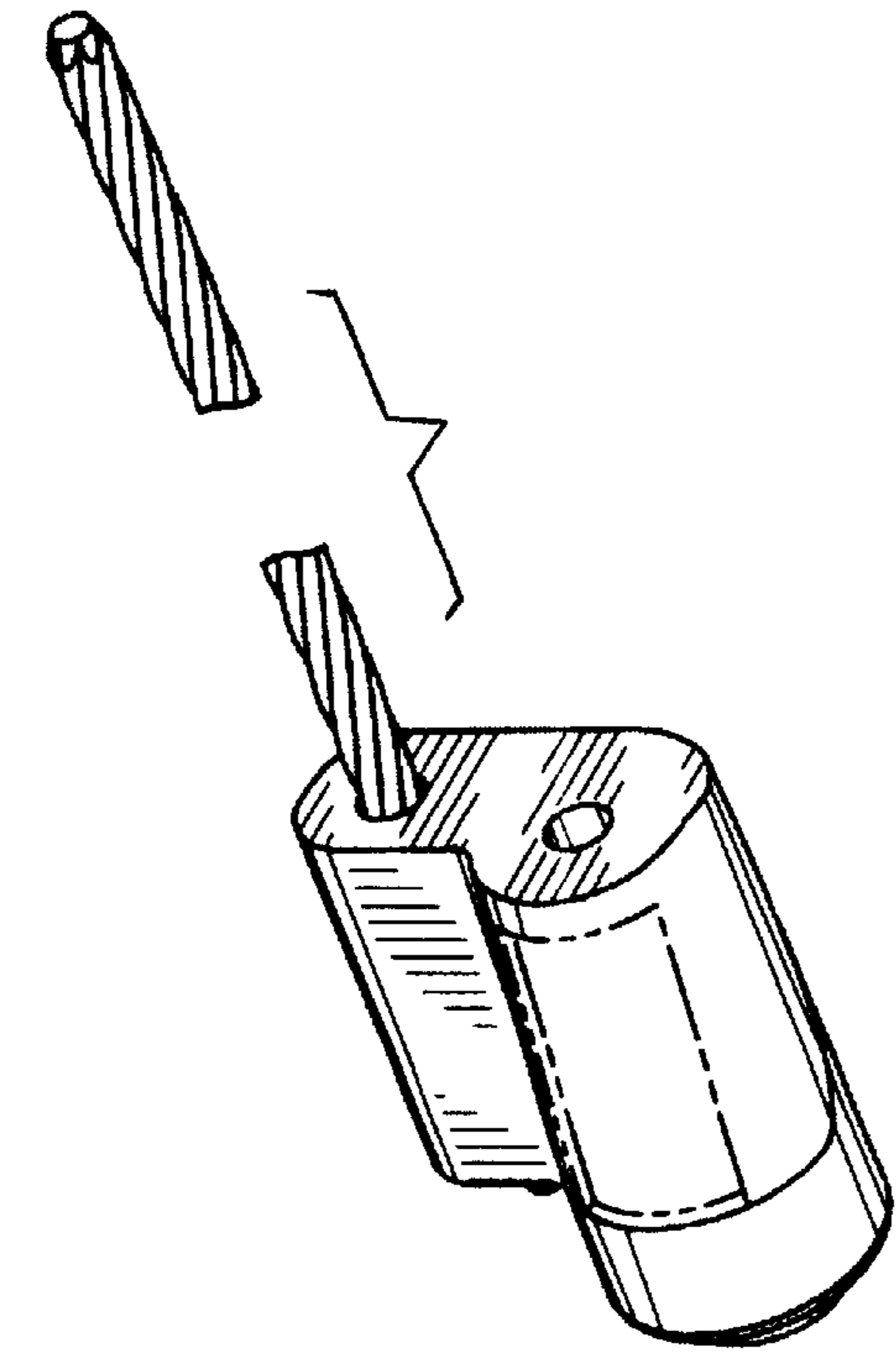


Fig. 1

Fig. 2

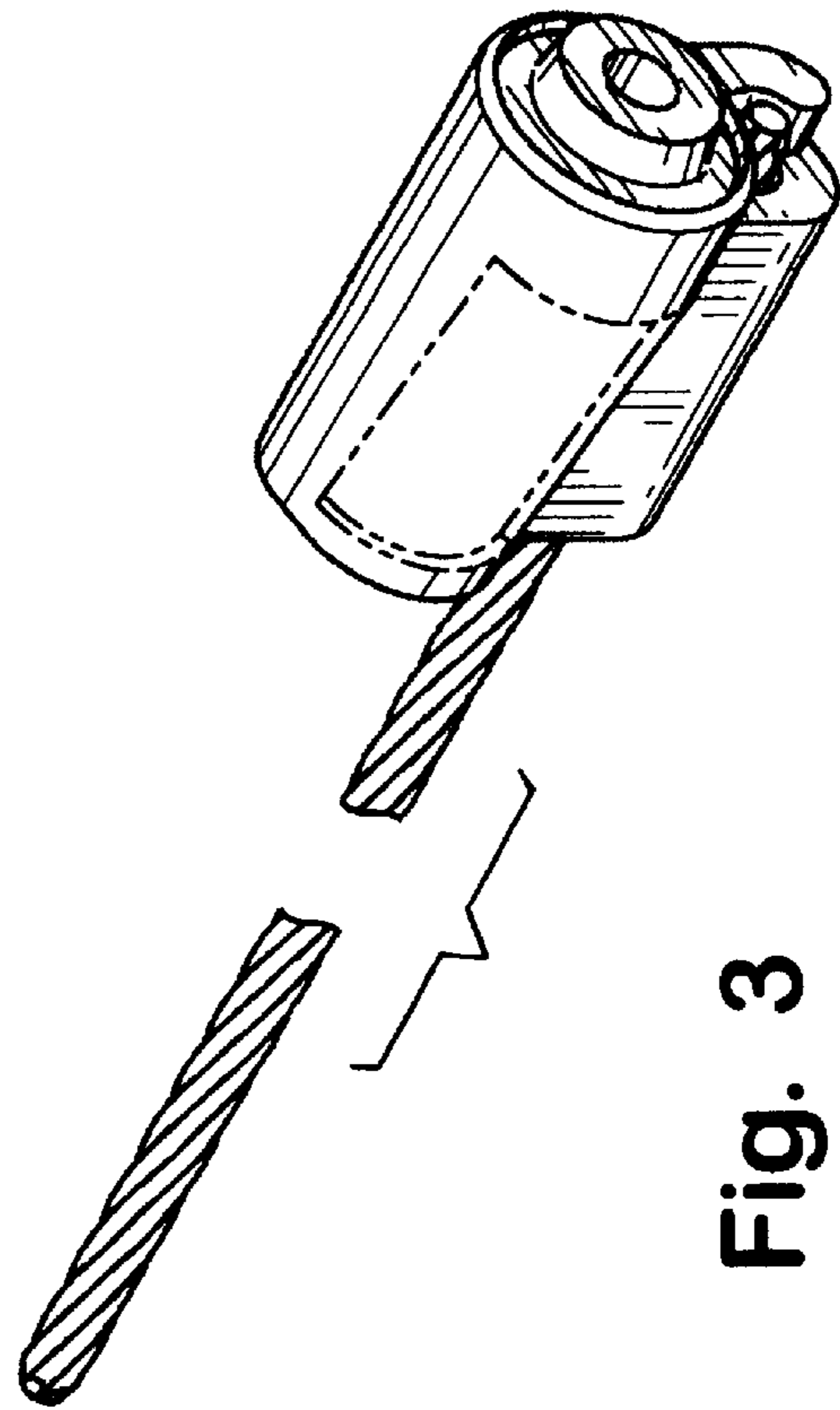


Fig. 3

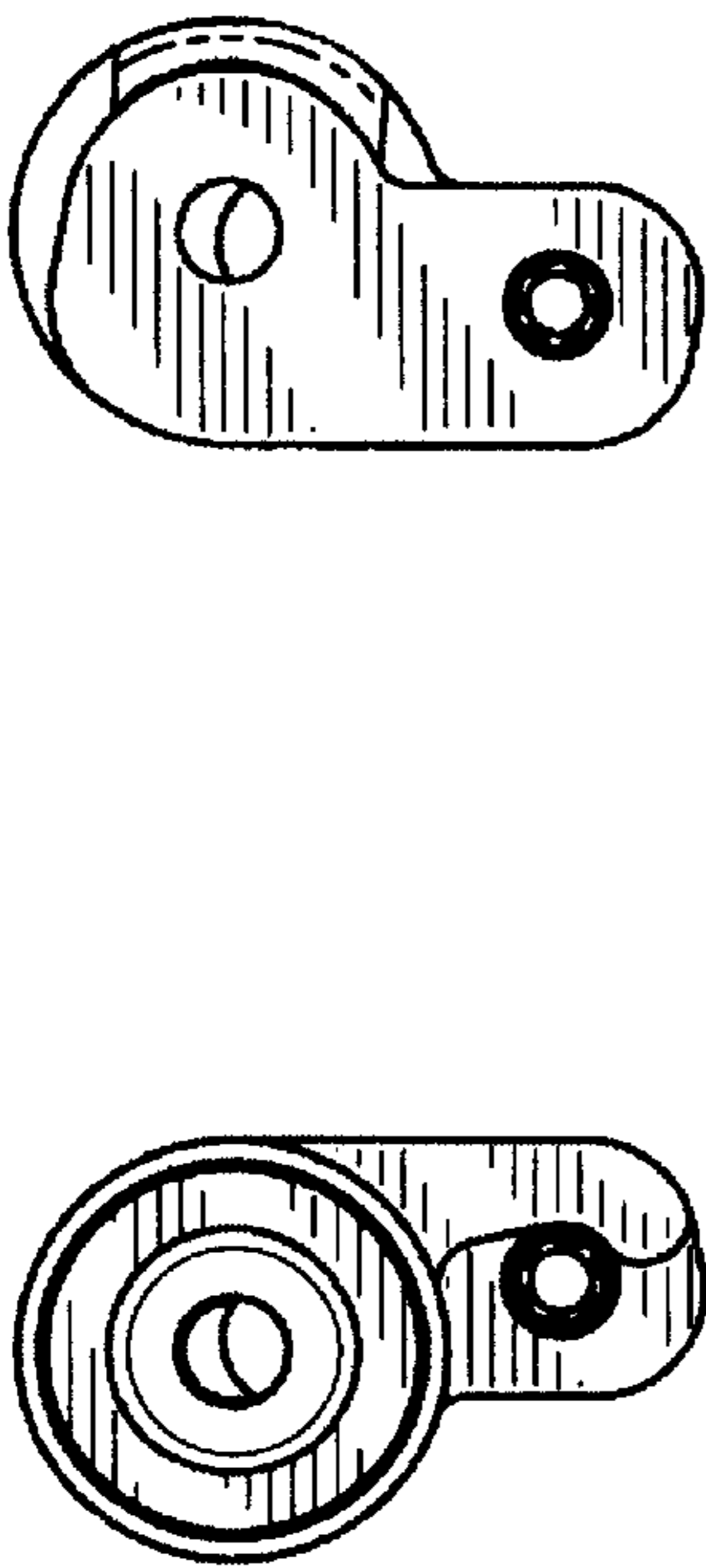


Fig. 4

Fig. 5

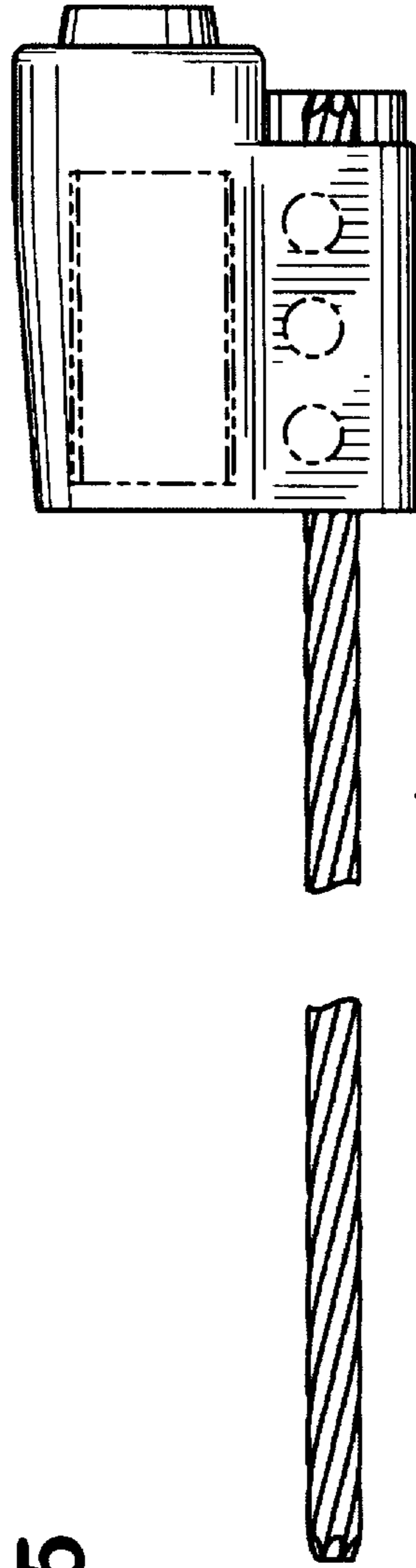


Fig. 6

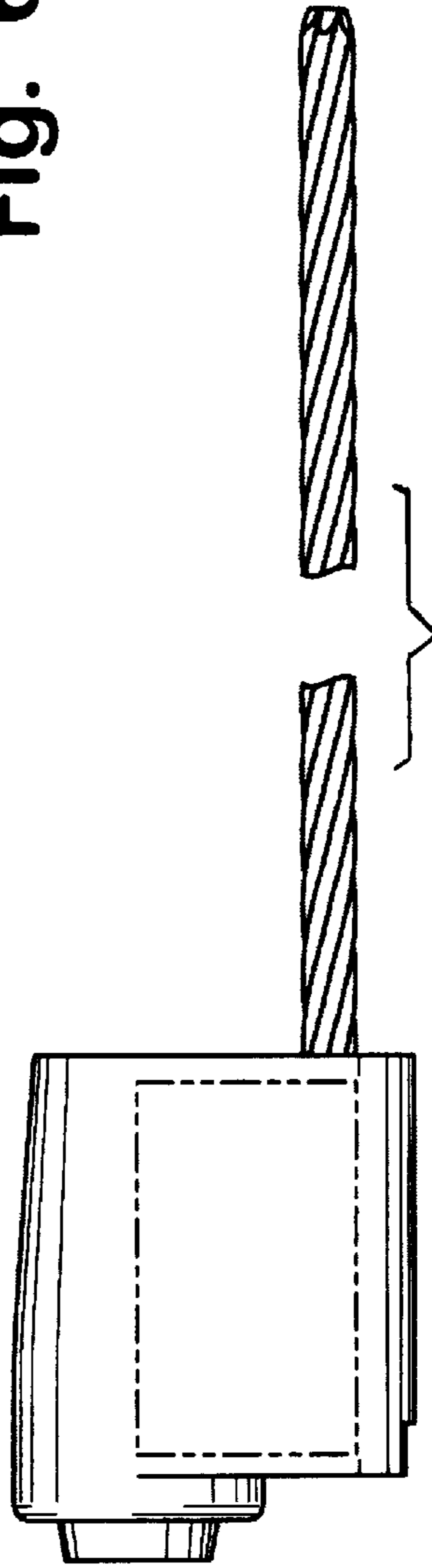


Fig. 7