



US00D525108S

(12) **United States Design Patent**  
**Morris**

(10) **Patent No.:** **US D525,108 S**

(45) **Date of Patent:** **\*\* Jul. 18, 2006**

(54) **HANDLE AND TRIM**

(76) **Inventor:** **Eric D. Morris**, 2110-12 Tryon St.,  
Philadelphia, PA (US) 19146

(\*\*) **Term:** **14 Years**

(21) **Appl. No.:** **29/242,873**

(22) **Filed:** **Nov. 15, 2005**

**Related U.S. Application Data**

(62) Division of application No. 29/210,401, filed on Jul. 30,  
2004.

(51) **LOC (8) Cl.** ..... **08-06**

(52) **U.S. Cl.** ..... **D8/307**

(58) **Field of Classification Search** ..... D8/107,  
D8/307, 308, 309, 315, 320, 341, 350, 393;  
D23/250-252; 292/177, 336.3, 347, 348;  
70/153, 341

See application file for complete search history.

(56) **References Cited**

**U.S. PATENT DOCUMENTS**

D64,095 S	*	2/1924	Yates	.....	D8/307
D65,214 S		7/1924	Auld		
D76,671 S		10/1928	Devereaux		
D80,519 S	*	2/1930	Graff	.....	D8/308
D80,620 S		3/1930	Graff		
1,800,707 A		4/1931	Wartian		
2,058,163 A		10/1936	Malone		
D102,288 S	*	12/1936	Murrin	.....	D8/314

2,208,592 A		7/1940	Mariani		
2,665,932 A		1/1954	Moler		
D171,486 S		2/1954	Borchers et al.		
D189,126 S	*	11/1960	Muffei	.....	D8/307
D252,317 S	*	7/1979	Clayton	.....	D8/350
D285,246 S	*	8/1986	Fetty	.....	D23/250
D327,530 S	*	6/1992	Rawald	.....	D23/250

**OTHER PUBLICATIONS**

Yale, Inc., four (4) photographs (identified Sheets 1 through  
4) of handles and trim.

\* cited by examiner

*Primary Examiner*—Paula A. Greene

(74) *Attorney, Agent, or Firm*—Caesar, Rivise, Bernstein,  
Cohen & Pokotilow, Ltd.

(57) **CLAIM**

The ornamental design for handle and trim, as shown and  
described.

**DESCRIPTION**

FIG. 1 is a front elevational view of a handle and trim  
showing my new design; and,

FIG. 2 is a side elevational view thereof, the opposite side  
is a mirror image, the undisclosed end views are not part of  
the claimed design.

The dashed lines shown in the figures represent environ-  
mental subject matter and form no part of the claimed  
design.

**1 Claim, 2 Drawing Sheets**

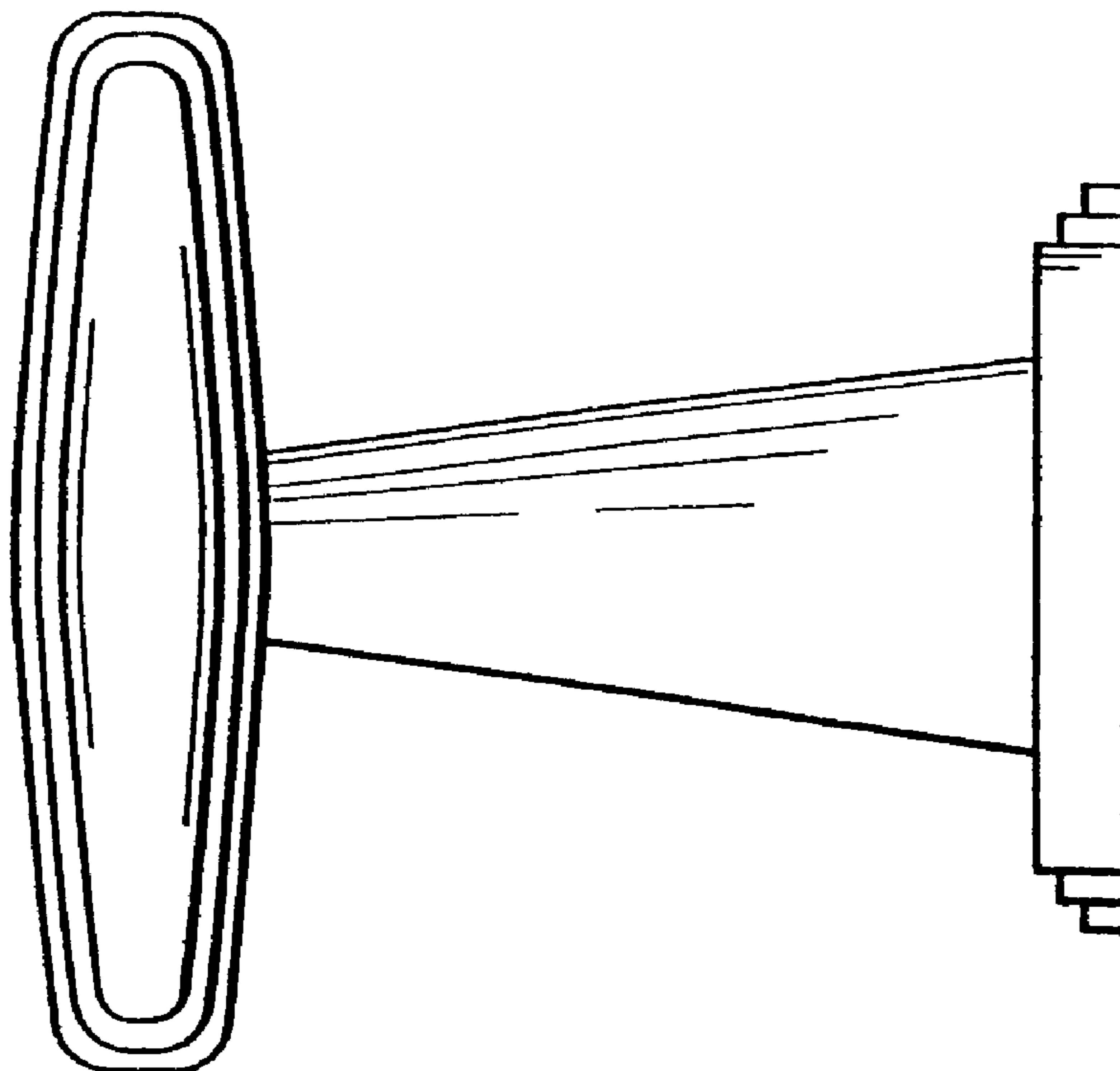


FIG. 1

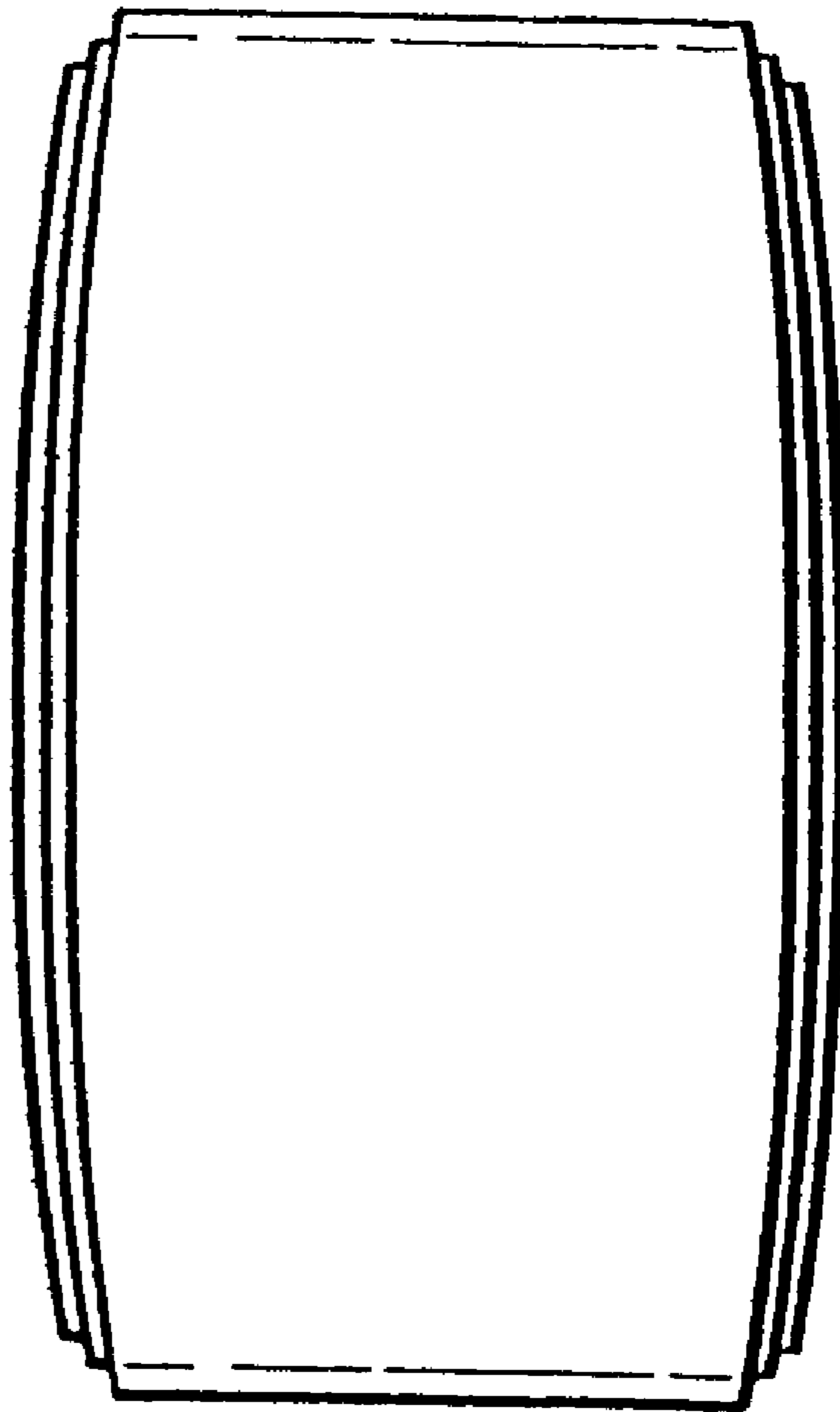


FIG. 2

