



US00D525101S

(12) **United States Design Patent**
Singh

(10) **Patent No.:** **US D525,101 S**

(45) **Date of Patent:** **** Jul. 18, 2006**

(54) **SCREW GUIDE**

6,354,177 B1 3/2002 Peters
6,520,509 B1 2/2003 Vasudeva

(75) Inventor: **Satnam Singh**, Ontario (CA)

Primary Examiner—Philip S. Hyder
(74) *Attorney, Agent, or Firm*—Dennis G. LaPointe

(73) Assignee: **Maxtech Manufacturing, Inc.**,
Waterloo (CA)

(57) **CLAIM**

(**) Term: **14 Years**

I claim the ornamental design for screw guide, as shown and described.

(21) Appl. No.: **29/213,547**

(22) Filed: **Sep. 20, 2004**

DESCRIPTION

Related U.S. Application Data

(62) Division of application No. 29/166,841, filed on Sep. 4, 2002, now Pat. No. Des. 498,403.

FIG. 1 is an elevated side view of a first embodiment of the screw guide, with the sleeve retracted and seen from a first end.

(30) **Foreign Application Priority Data**

Mar. 4, 2002 (CA) 98829

FIG. 2 is an elevated side view of the first embodiment of the screw guide, with the sleeve retracted and seen from a second end.

(51) **LOC (8) Cl.** **08-02**

(52) **U.S. Cl.** **D8/86**

(58) **Field of Classification Search** D8/14,
D8/29, 82, 83, 85, 86, 87; 81/177.1, 177.2,
81/180.1, 437, 438, 439, 177.6

FIG. 3 is a plan side view of the first embodiment of the screw guide, with the sleeve retracted.

FIG. 4 is a further plan side view of the first embodiment of the screw guide, with the sleeve retracted.

See application file for complete search history.

FIG. 5 is a plan end view of the first embodiment of the tool case, with the sleeve retracted, seen from the second end.

FIG. 6 is a plan end view of the first embodiment of the tool case, with the sleeve retracted, seen from the first end.

FIG. 7 is a plan side view of the first embodiment of the tool case, with the sleeve extended.

(56) **References Cited**

U.S. PATENT DOCUMENTS

768,441 A	8/1904	Fisher
1,441,956 A	1/1923	Watson
3,361,169 A	1/1968	Charchenko
4,736,658 A	4/1988	Jore
D341,763 S	11/1993	Espin
5,309,798 A	5/1994	Markwart et al.
5,309,799 A	5/1994	Jore
5,680,800 A	10/1997	Sharpe
5,697,269 A	12/1997	Tseng
5,791,212 A	8/1998	Han
5,938,212 A	8/1999	Wadsworth
5,950,507 A	9/1999	Wolfe
5,975,815 A	11/1999	Zierpka et al.
6,148,699 A	11/2000	Han
6,260,445 B1	7/2001	DeVecchis
6,282,998 B1	9/2001	Beach

FIG. 8 is an elevated side view of a second embodiment of the screw guide, with the sleeve retracted and seen from a first end.

FIG. 9 is an elevated side view of the second embodiment of the screw guide, with the sleeve retracted and seen from a second end.

FIG. 10 is a plan side view of the second embodiment of the screw guide, with the sleeve retracted.

FIG. 11 is a further plan side view of the second embodiment of the screw guide, with the sleeve retracted.

FIG. 12 is a plan end view of the second embodiment of the tool case, with the sleeve retracted, seen from the second end.

FIG. 13 is a plan end view of the second embodiment of the tool case, with the sleeve retracted, seen from the first end.

FIG. 14 is a plan side view of the second embodiment of the tool case, with the sleeve extended.

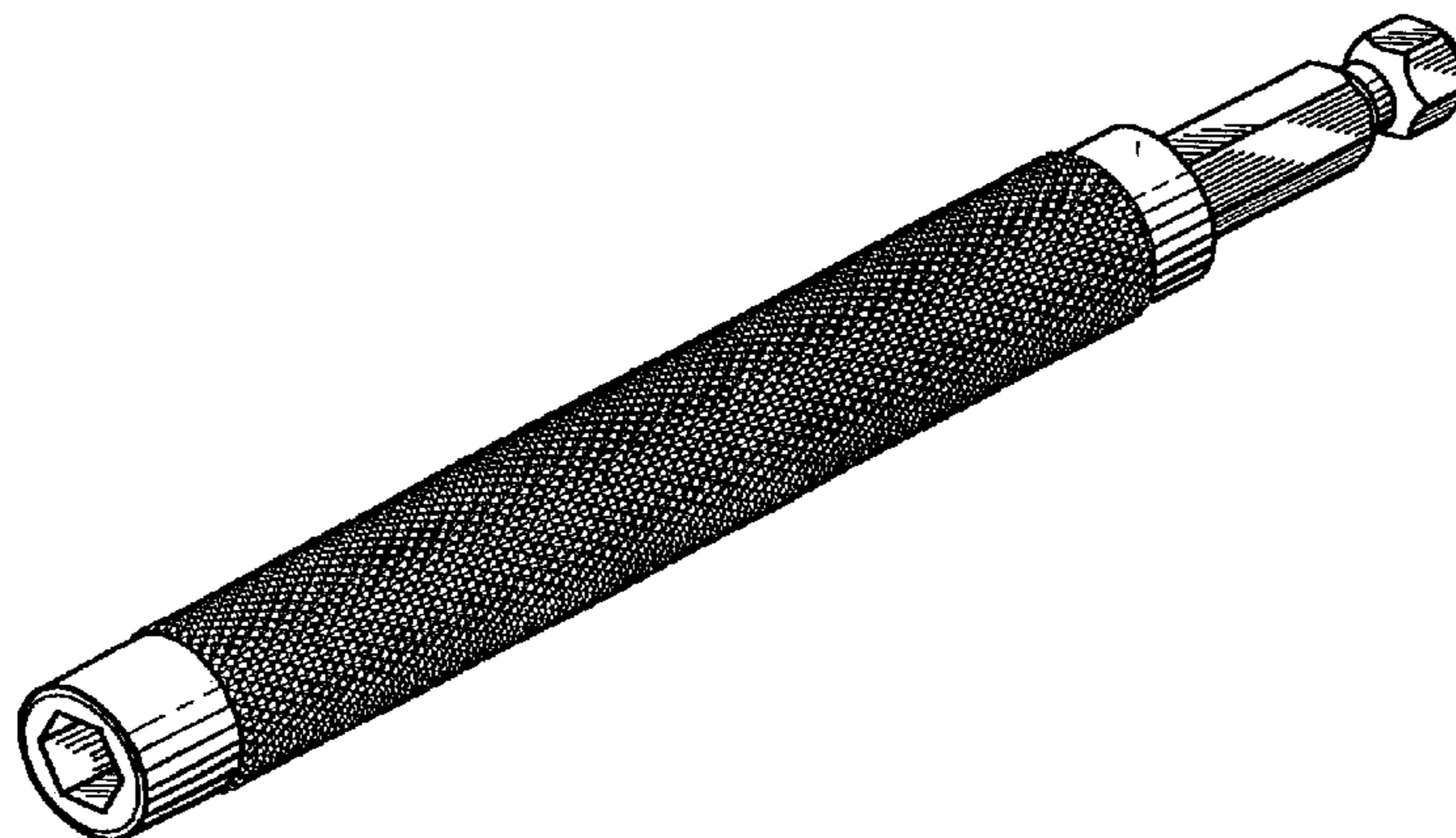


FIG. **15** is an elevated side view of a third embodiment of the screw, guide with the sleeve retracted and seen from a first end.

FIG. **16** is an elevated side view of the third embodiment of the screw guide, with the sleeve retracted and seen from a second end.

FIG. **17** is a plan side view of the third embodiment of the screw guide, with the sleeve retracted.

FIG. **18** is a further plan side view of the third embodiment of the screw guide, with the sleeve retracted.

FIG. **19** is a plan end view of the third embodiment of the tool case, with the sleeve retracted, seen from the second end.

FIG. **20** is a plan end view of the third embodiment of the tool case, with the sleeve retracted, seen from the first end.

FIG. **21** is a plan side view of the third embodiment of the tool case, with the sleeve extended.

FIG. **22** is an elevated side view of a fourth embodiment of the screw guide, with the sleeve retracted and seen from a first end.

FIG. **23** is an elevated side view of the fourth embodiment of the screw guide, with the sleeve retracted and seen from a second end.

FIG. **24** is a plan side view of the fourth embodiment of the screw guide, with the sleeve retracted.

FIG. **25** is a further plan side view of the fourth embodiment of the screw guide, with the sleeve retracted.

FIG. **26** is a plan end view of the fourth embodiment of the tool case, with the sleeve retracted, seen from the second end.

FIG. **27** is a plan end view of the fourth embodiment of the tool case, with the sleeve retracted, seen from the first end; and,

FIG. **28** is a plan side view of the fourth embodiment of the tool case, with the sleeve extended.

1 Claim, 12 Drawing Sheets

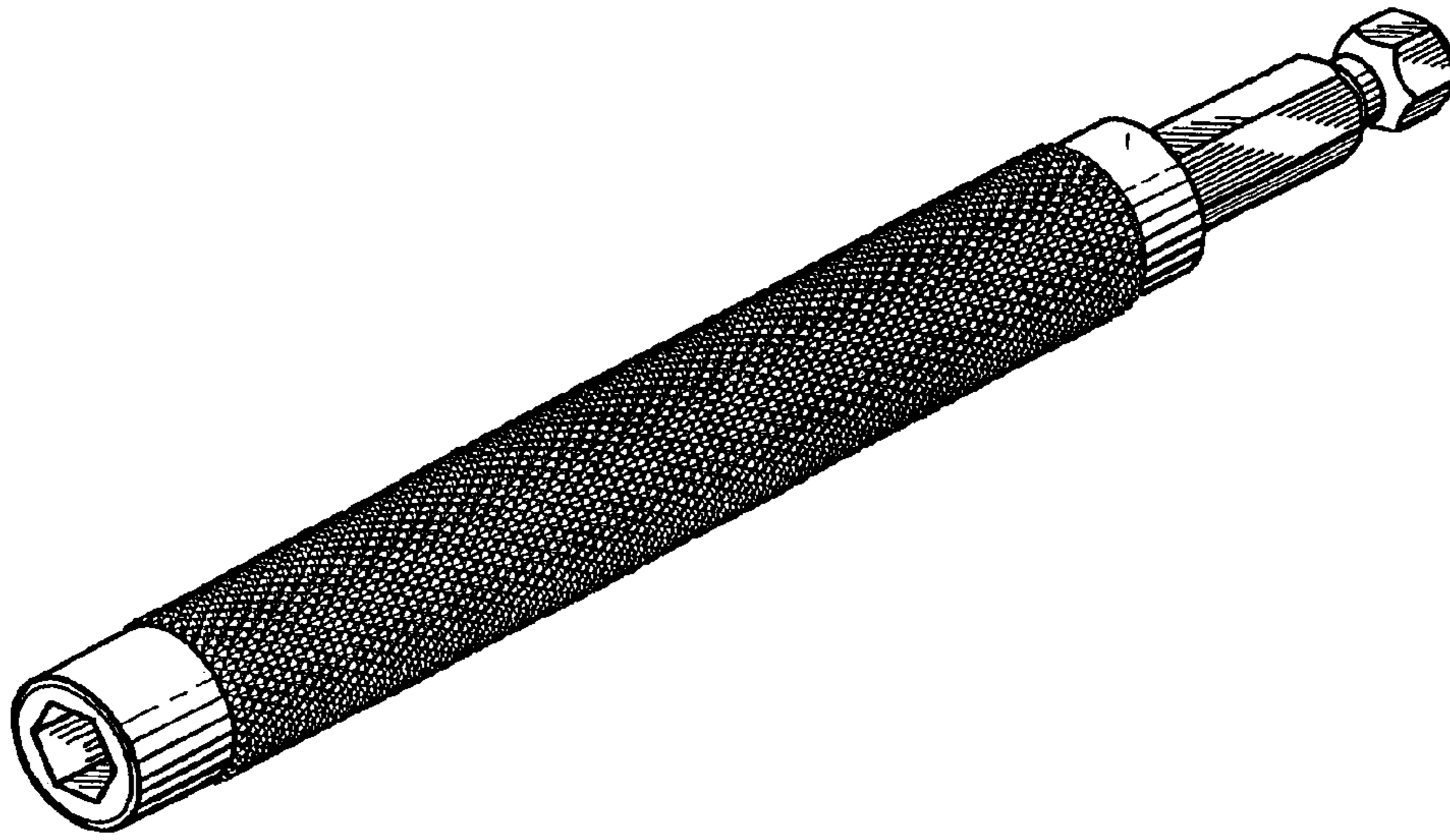


FIG. 1

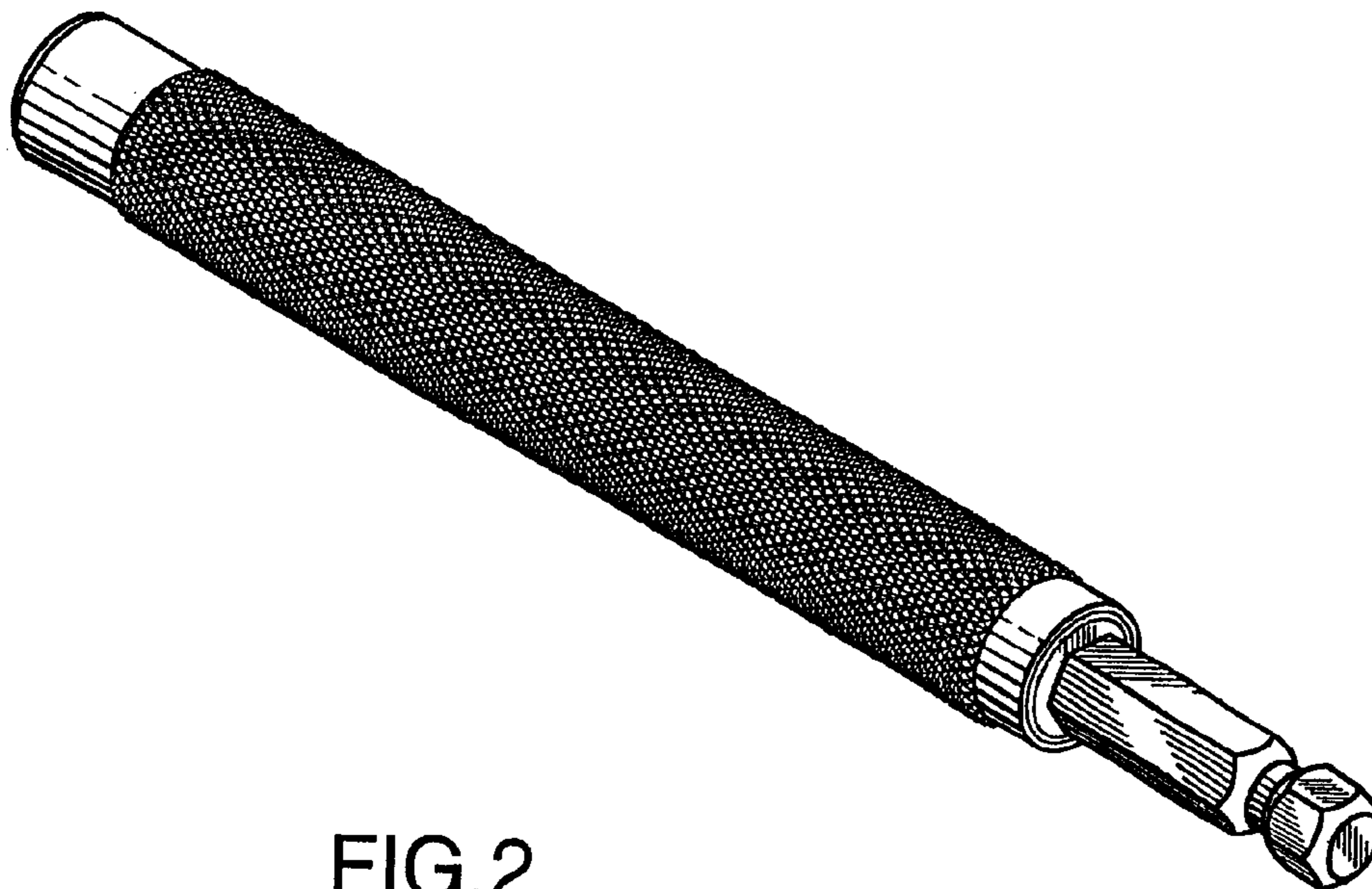


FIG. 2

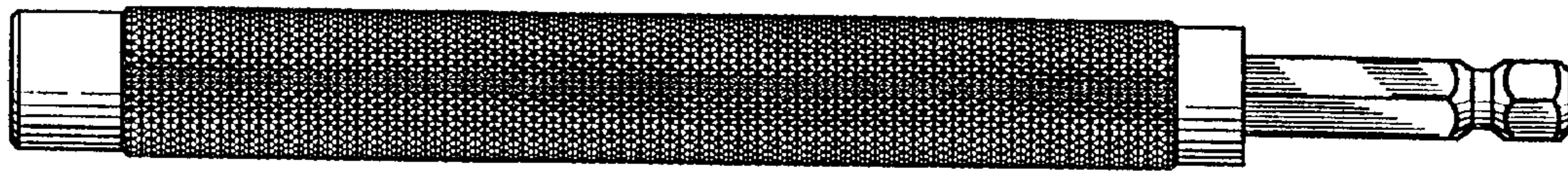


FIG.3

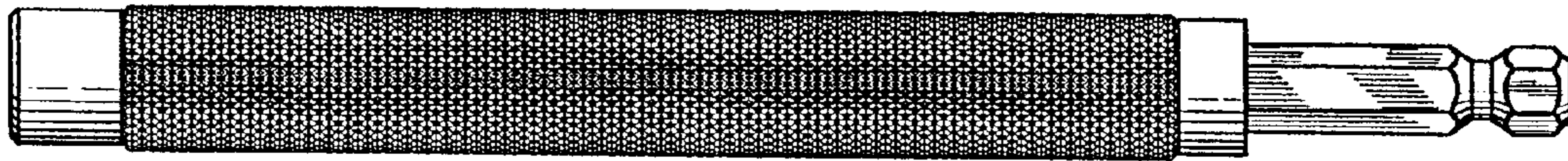


FIG.4



FIG.5



FIG.6

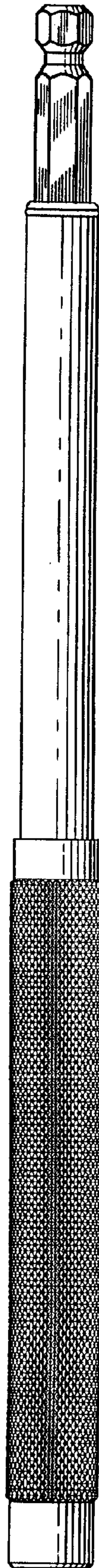


FIG. 7

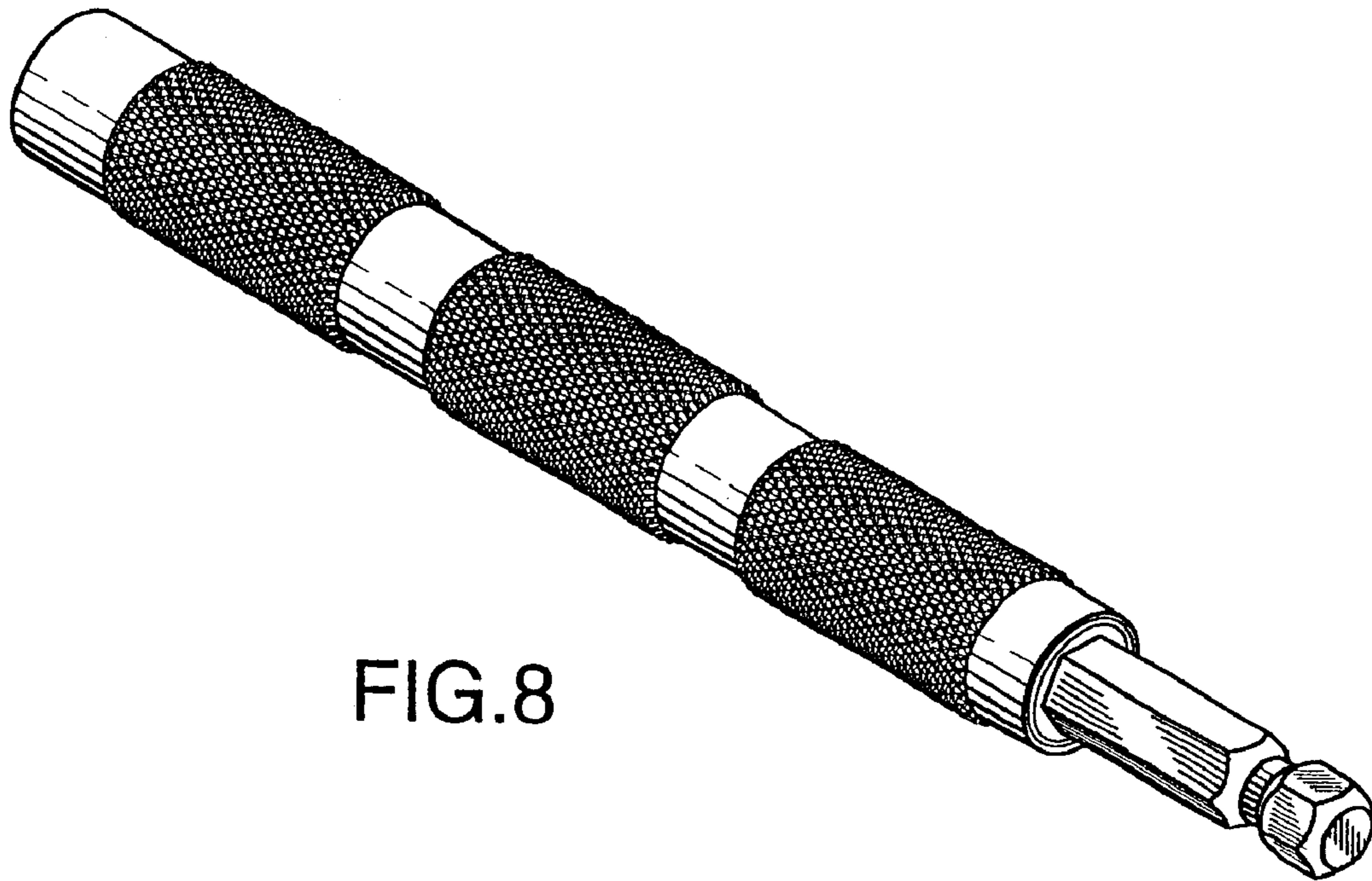


FIG. 8

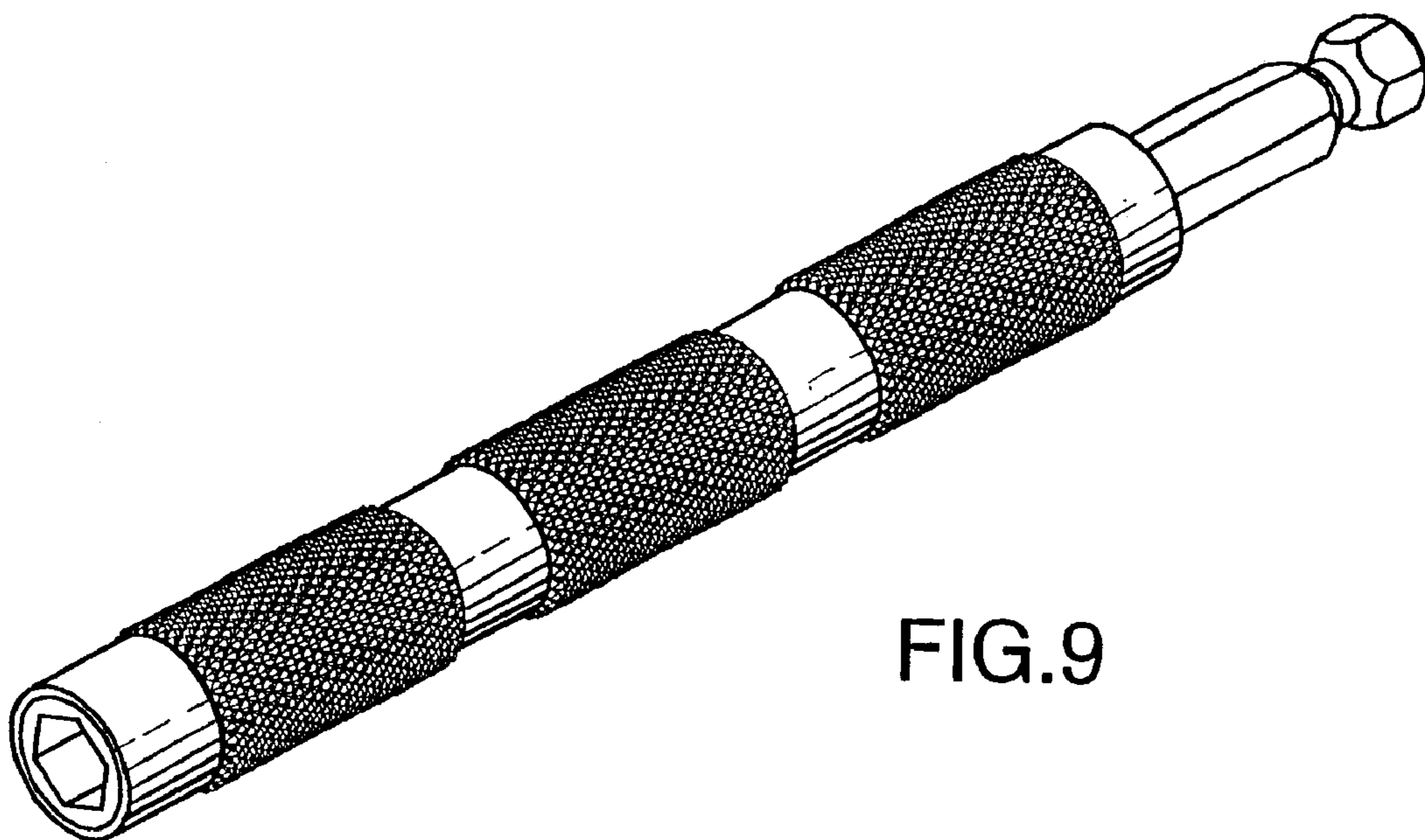


FIG. 9

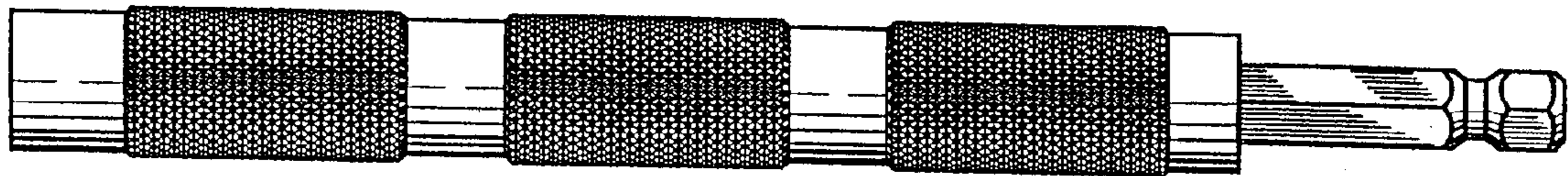


FIG.10

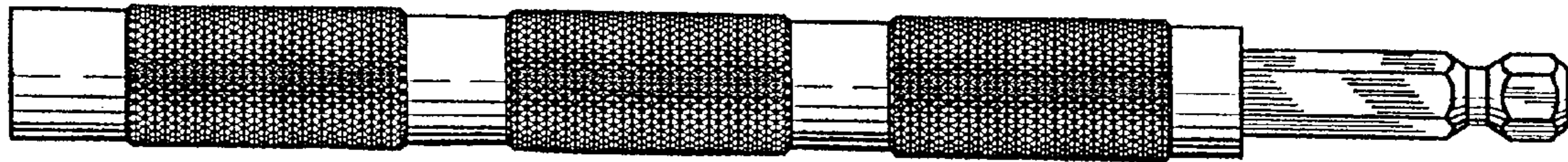


FIG.11



FIG.12



FIG.13

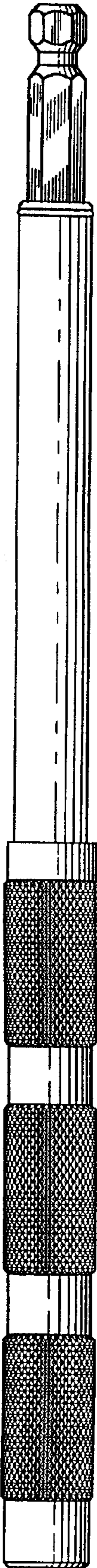


FIG.14

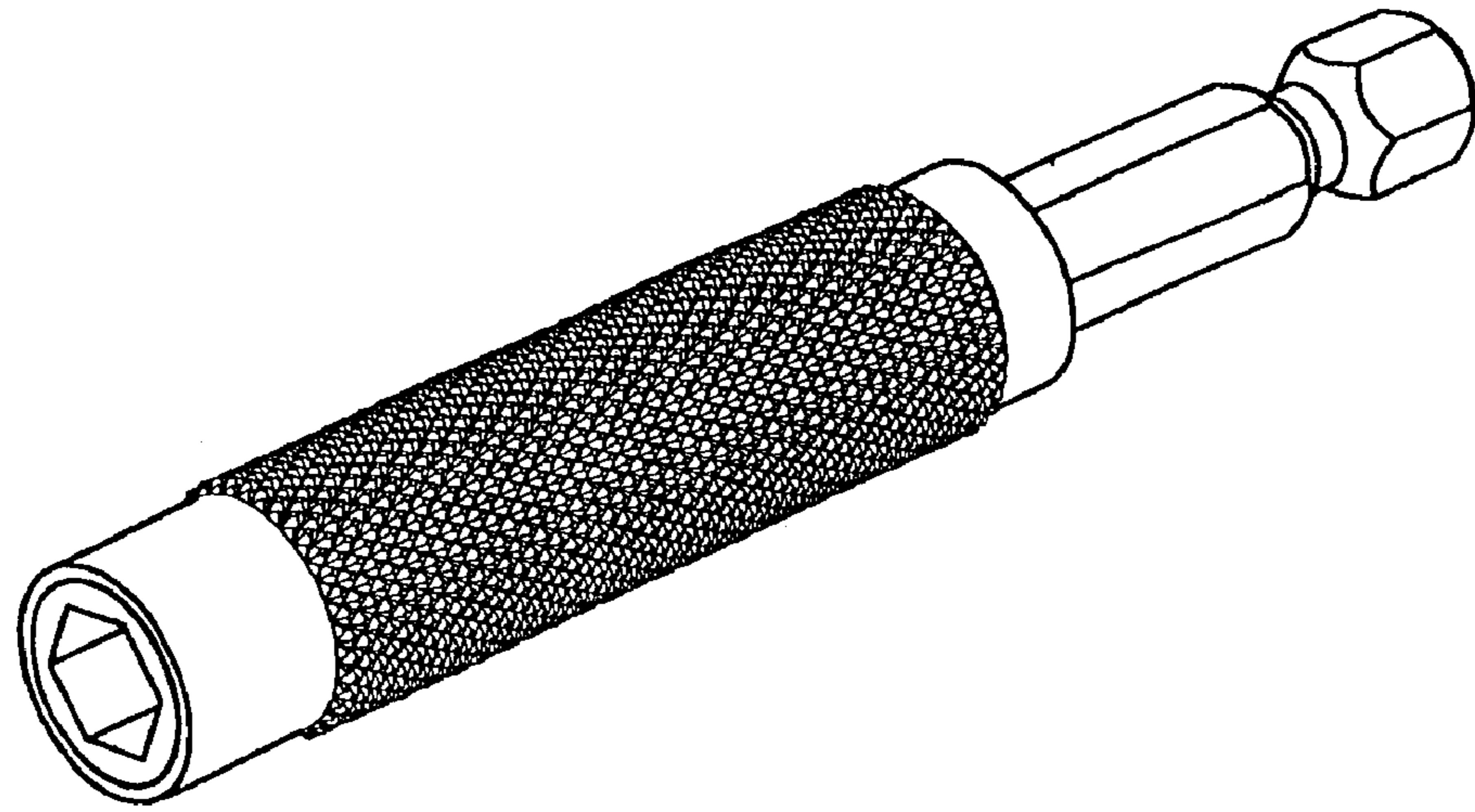


FIG.15

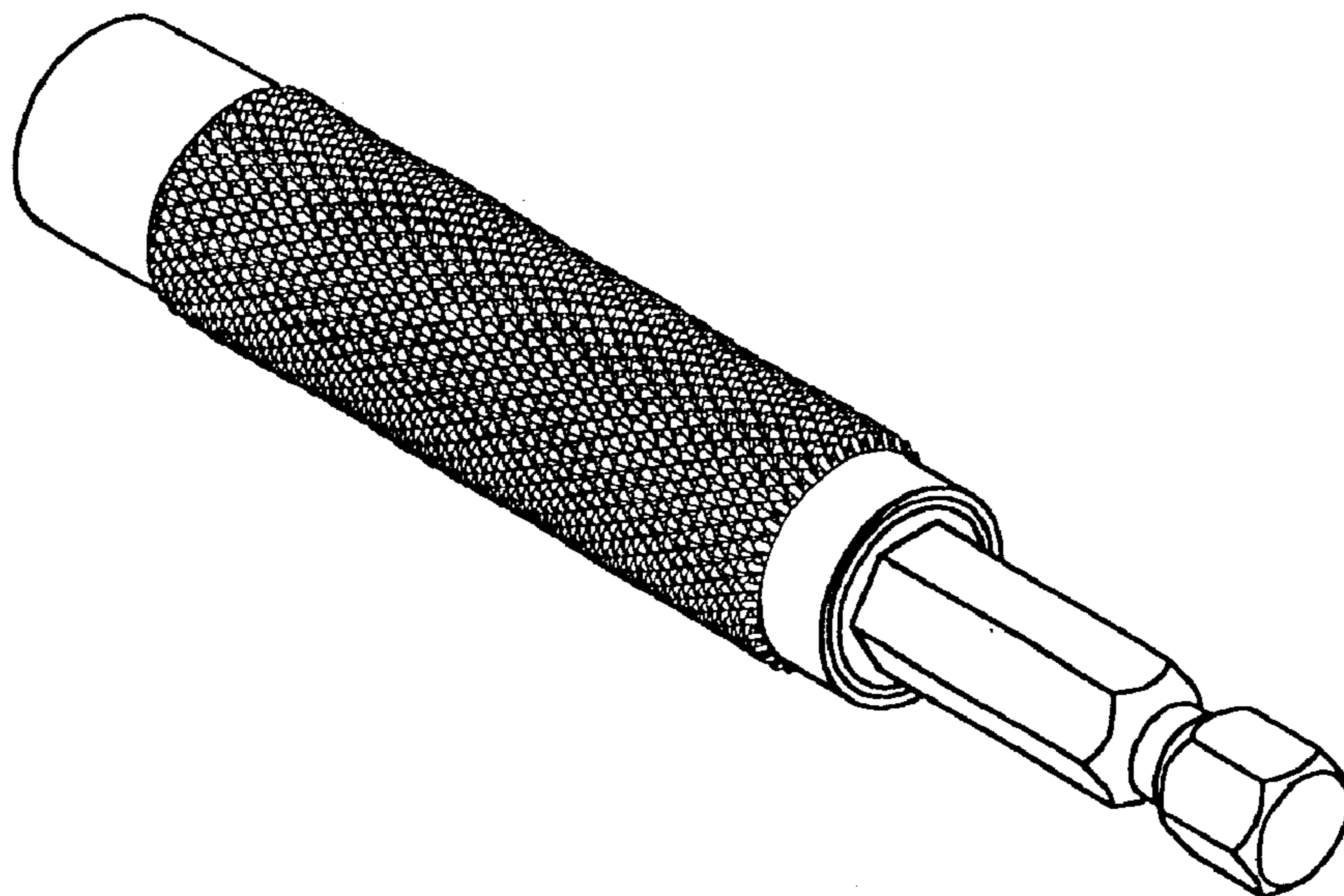


FIG.16

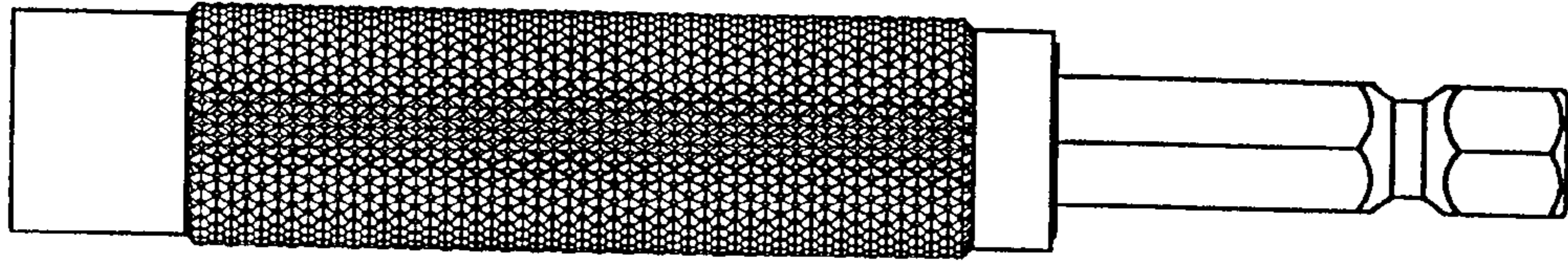


FIG.17

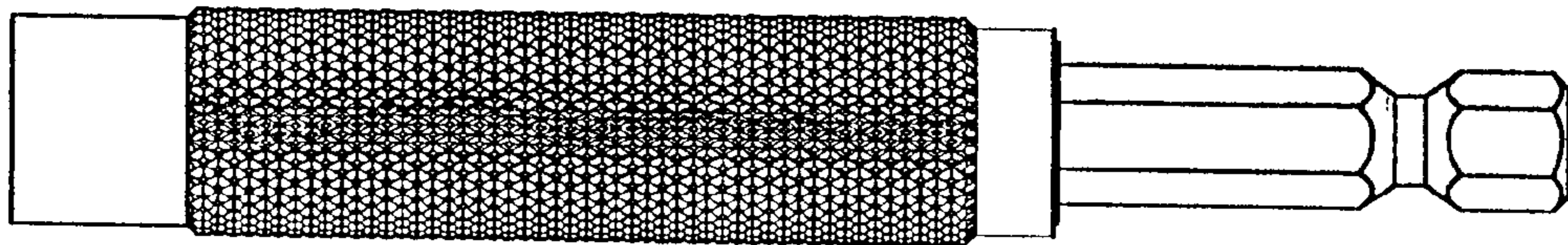


FIG.18

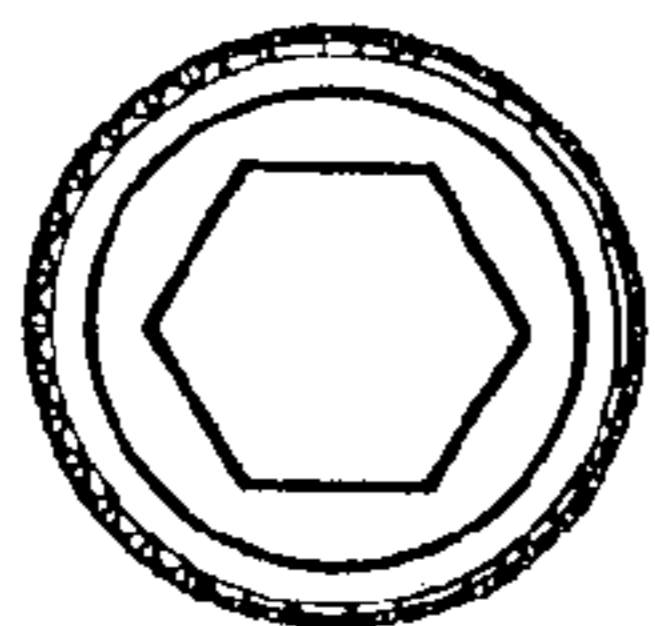


FIG.19

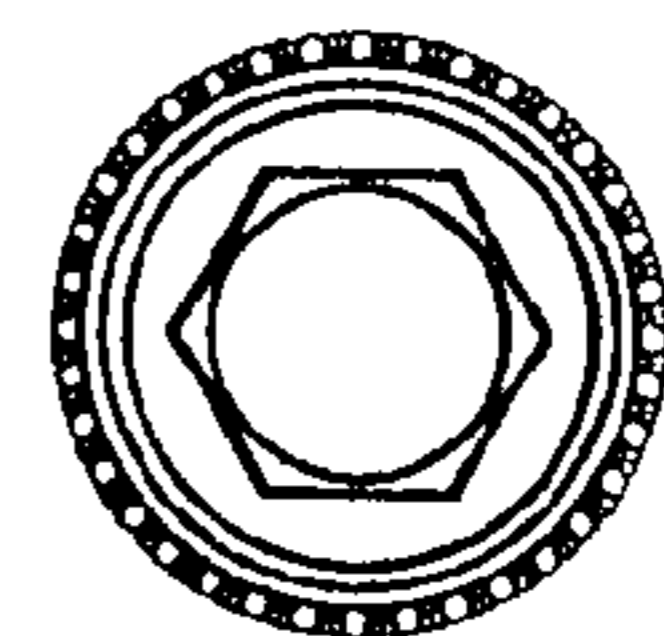


FIG.20

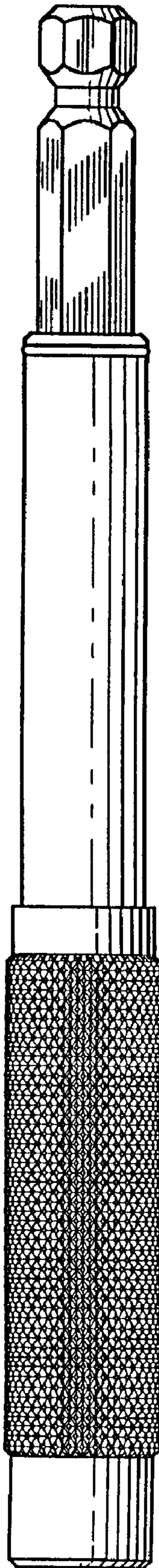


FIG.21

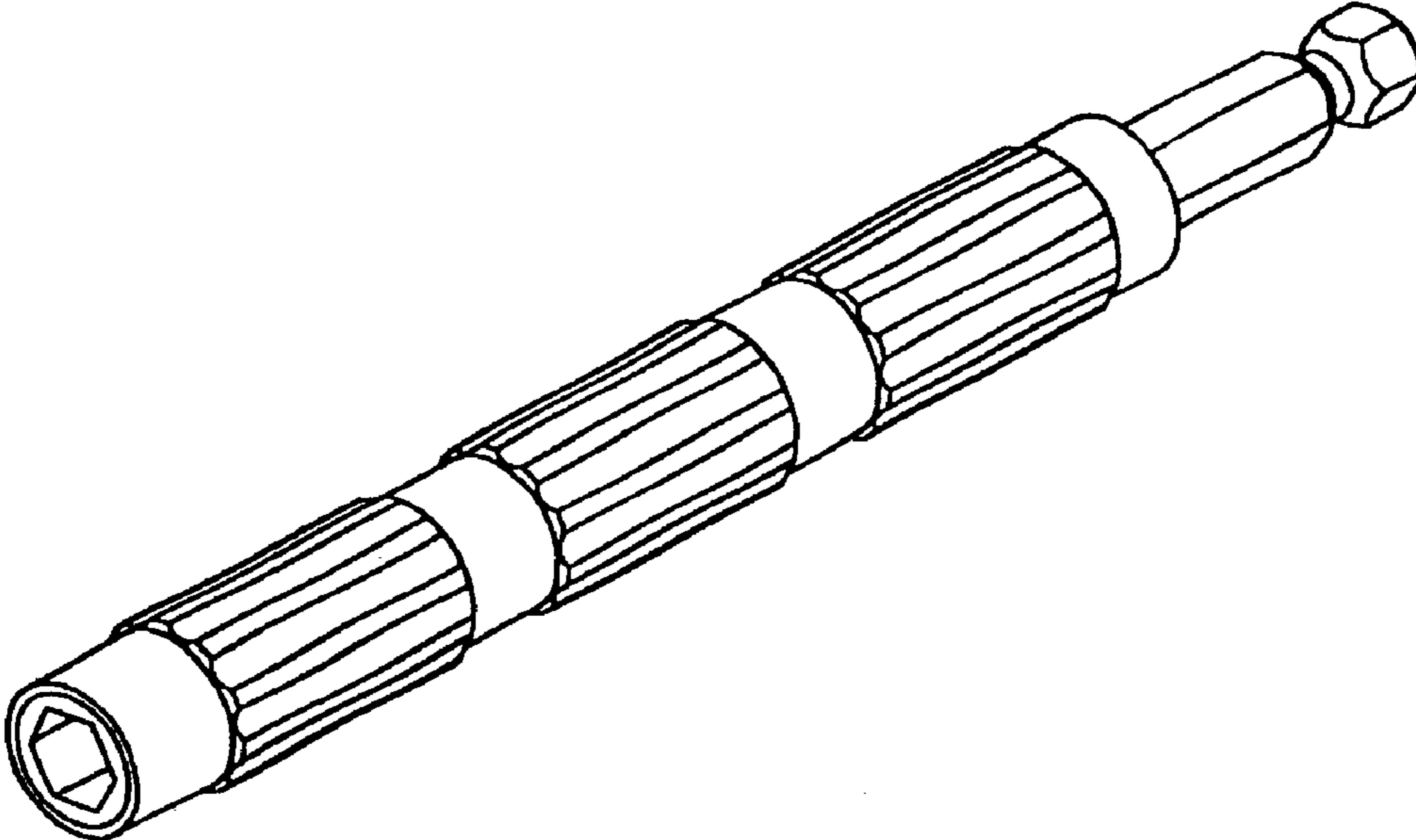


FIG. 22

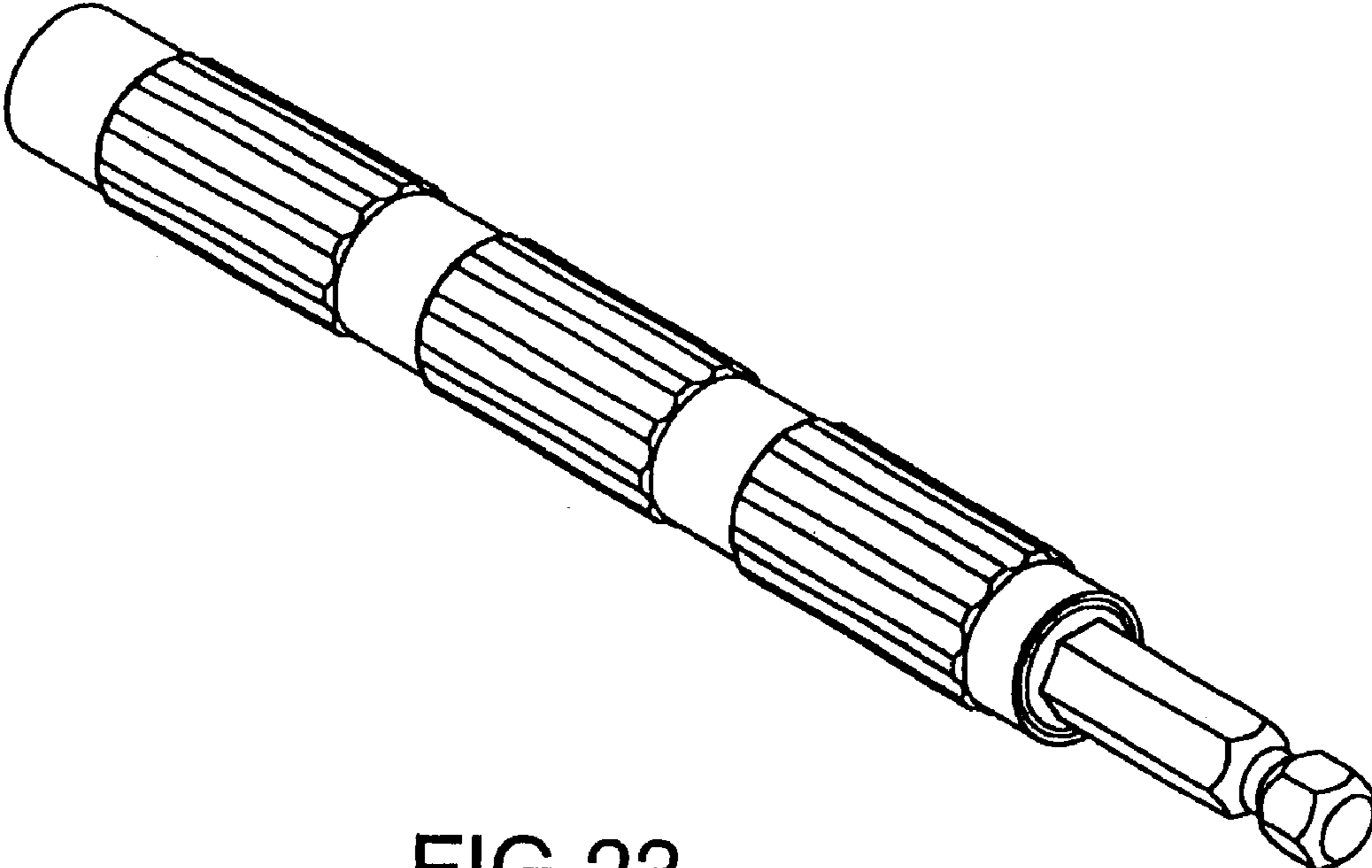


FIG. 23

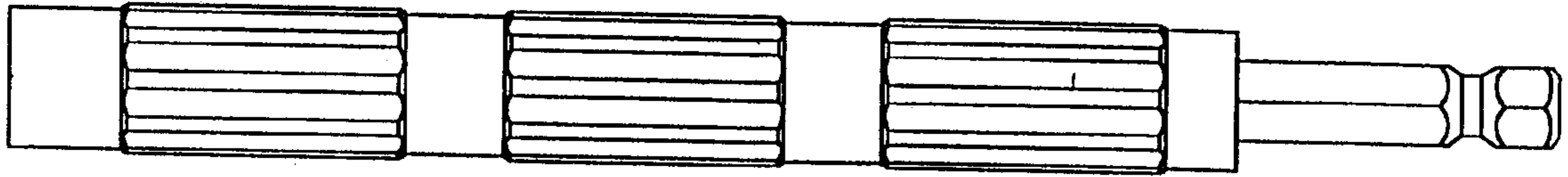


FIG.24

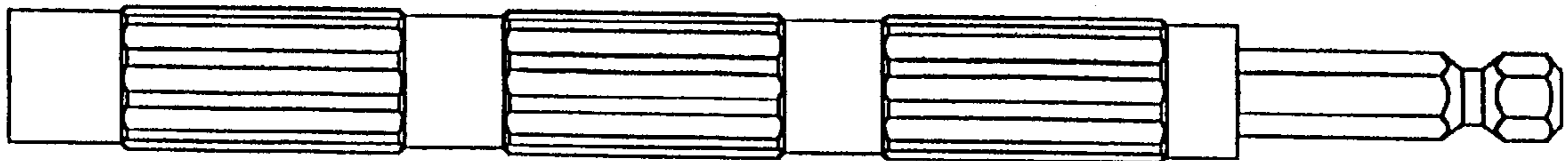


FIG.25

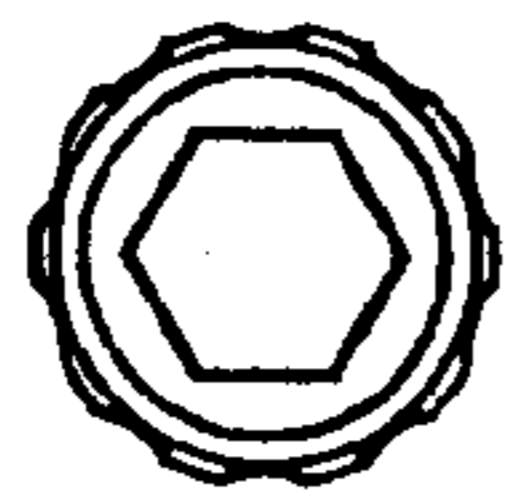


FIG.26

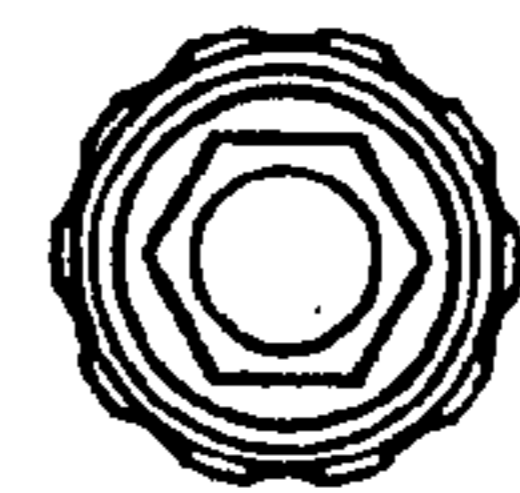


FIG.27

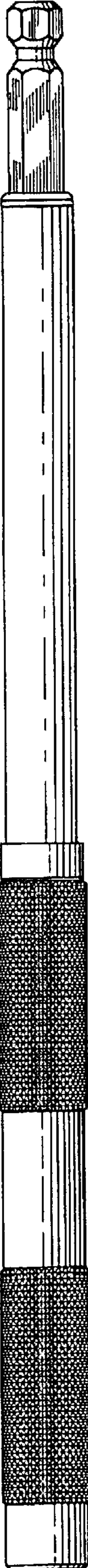


FIG.28

UNITED STATES PATENT AND TRADEMARK OFFICE
CERTIFICATE OF CORRECTION

PATENT NO. : Des. 525,101 S
APPLICATION NO. : 29/213547
DATED : July 18, 2006
INVENTOR(S) : Singh

Page 1 of 6

It is certified that error appears in the above-identified patent and that said Letters Patent is hereby corrected as shown below:

The drawing sheet, consisting of Fig. 15-20 and 22-28, should be deleted and replaced with drawing sheet, consisting of Fig. 15-20 and 22-28, as shown on the attached page.

Signed and Sealed this

Twenty-second Day of May, 2007

A handwritten signature in black ink on a light gray dotted background. The signature reads "Jon W. Dudas" in a cursive style.

JON W. DUDAS

Director of the United States Patent and Trademark Office

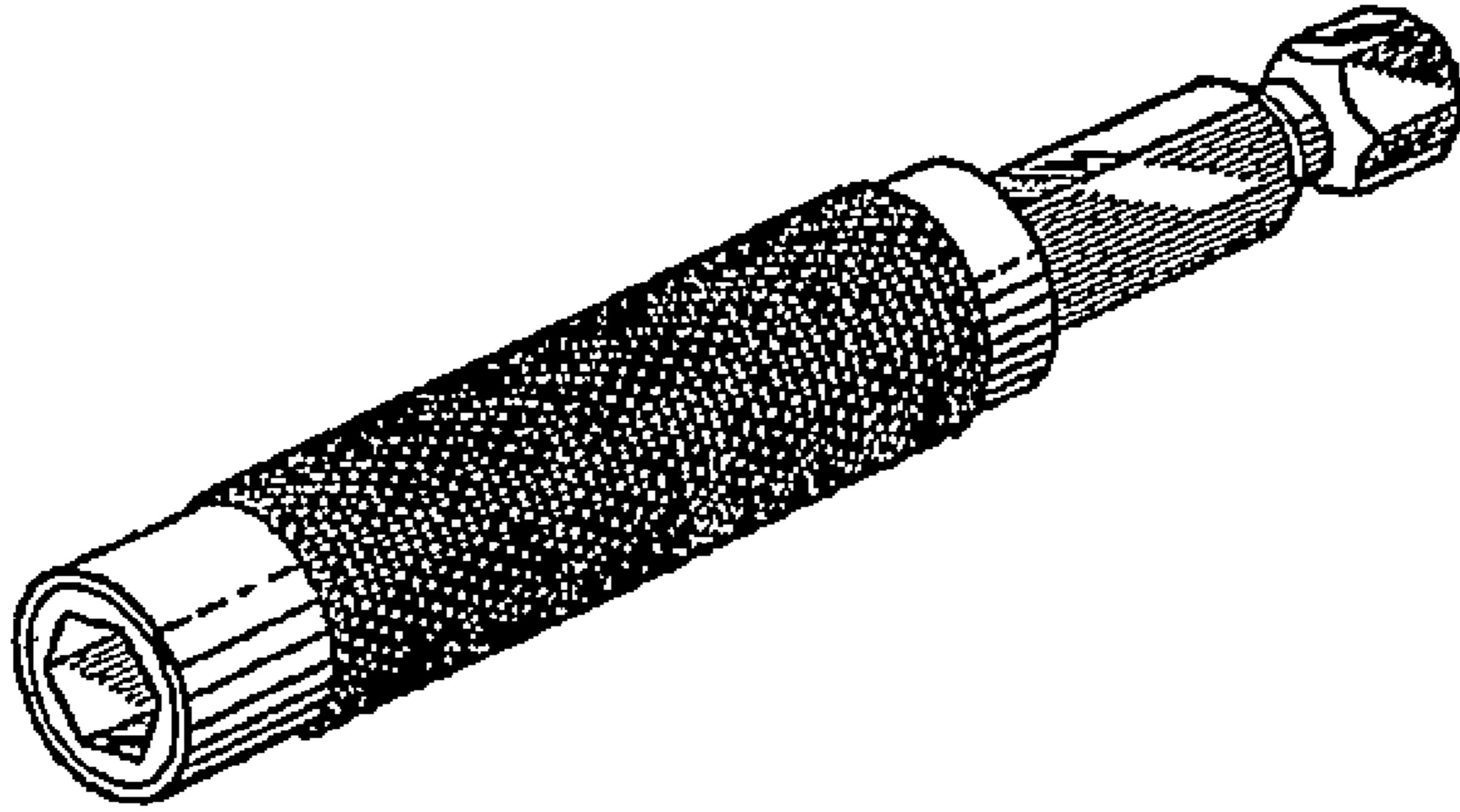


FIG. 15

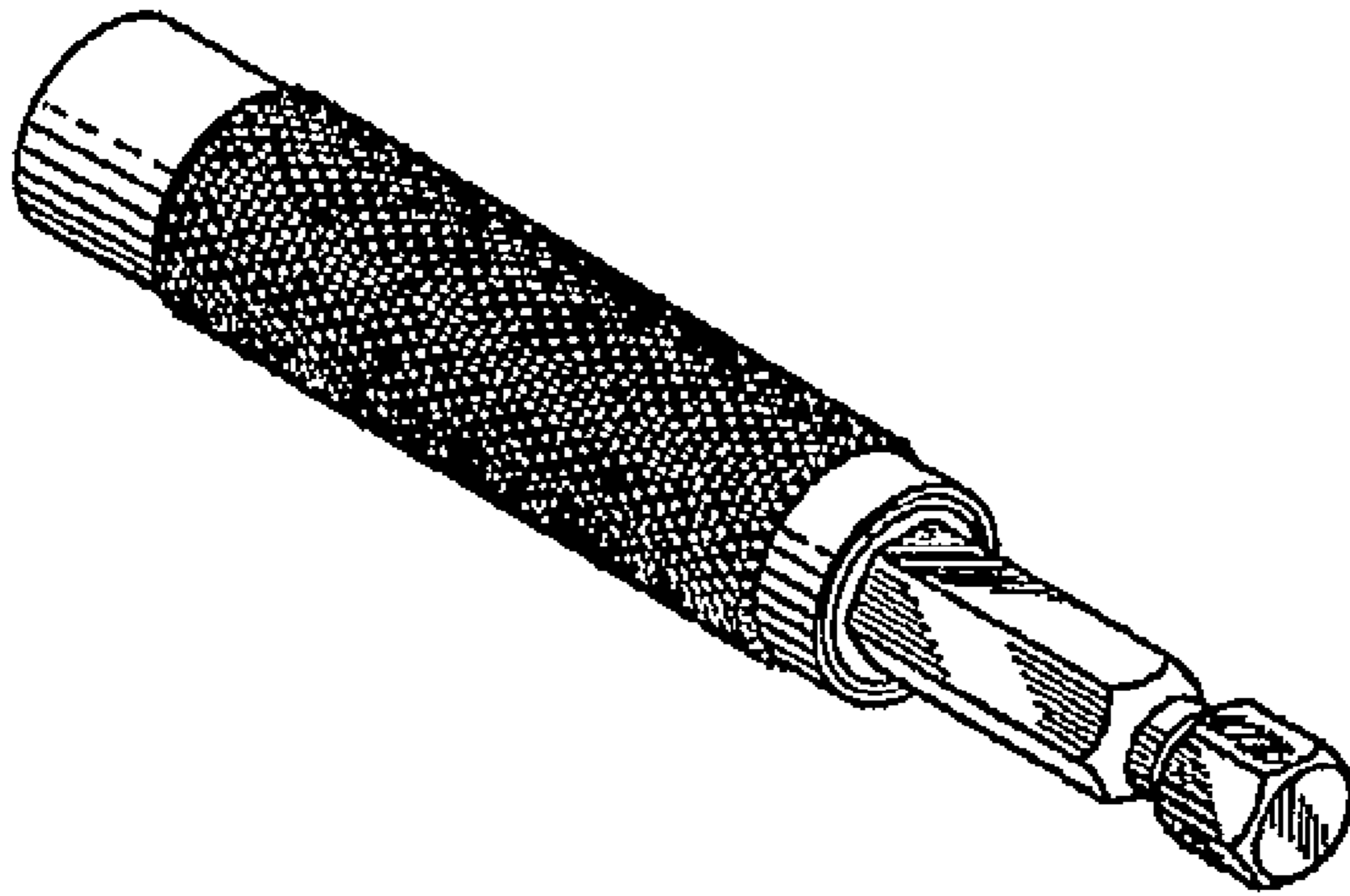


FIG. 16

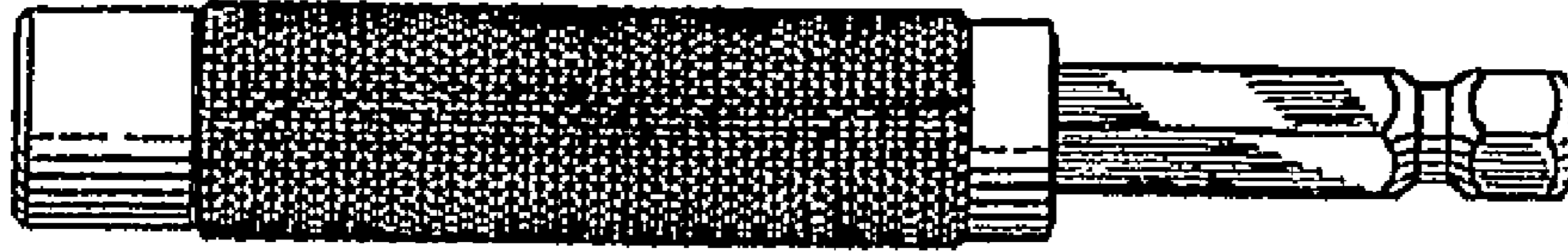


FIG.17

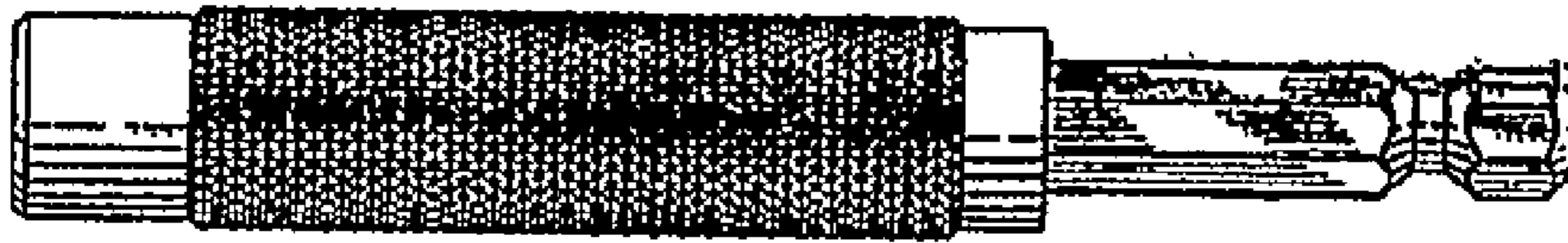


FIG.18



FIG.19



FIG.20

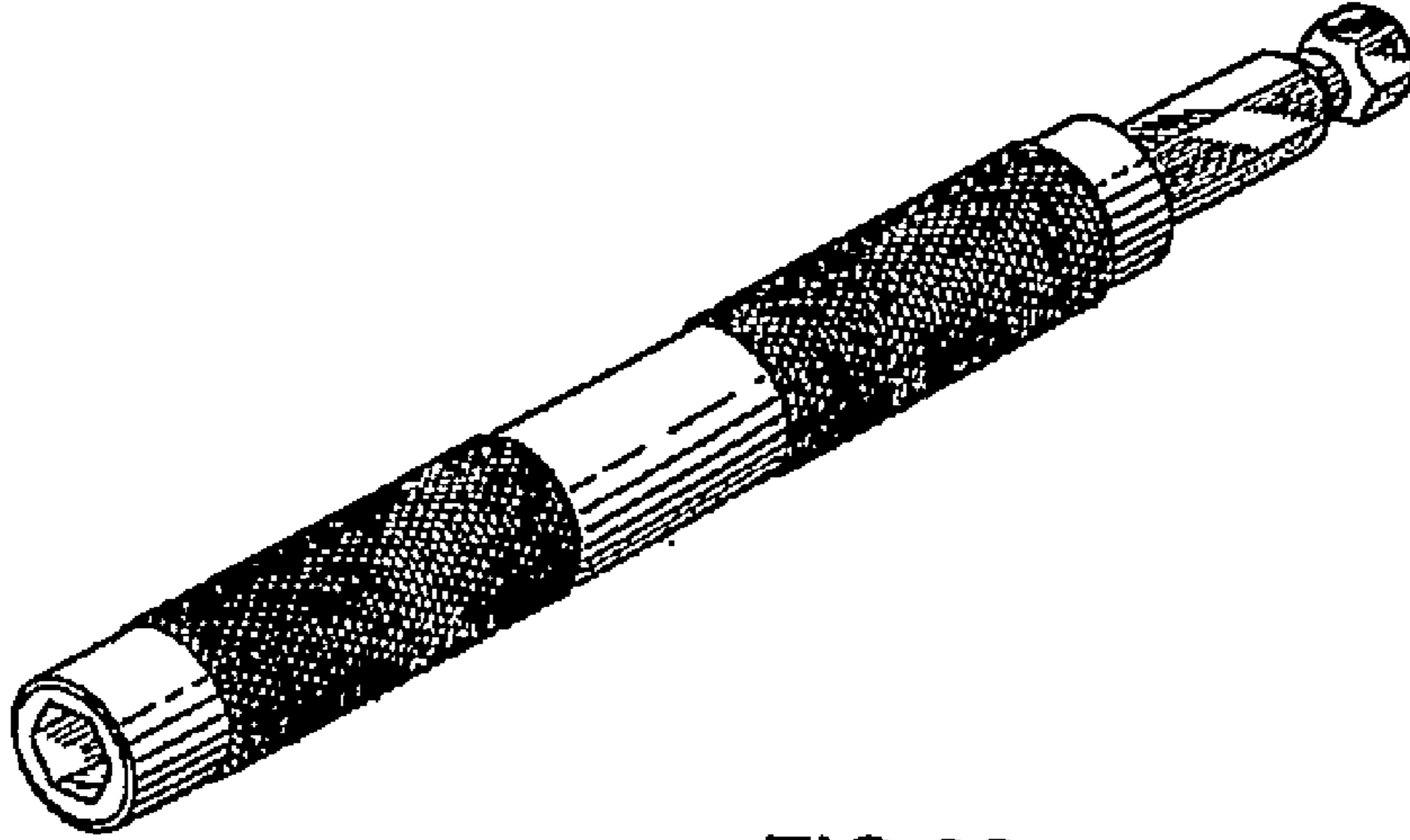


FIG.22

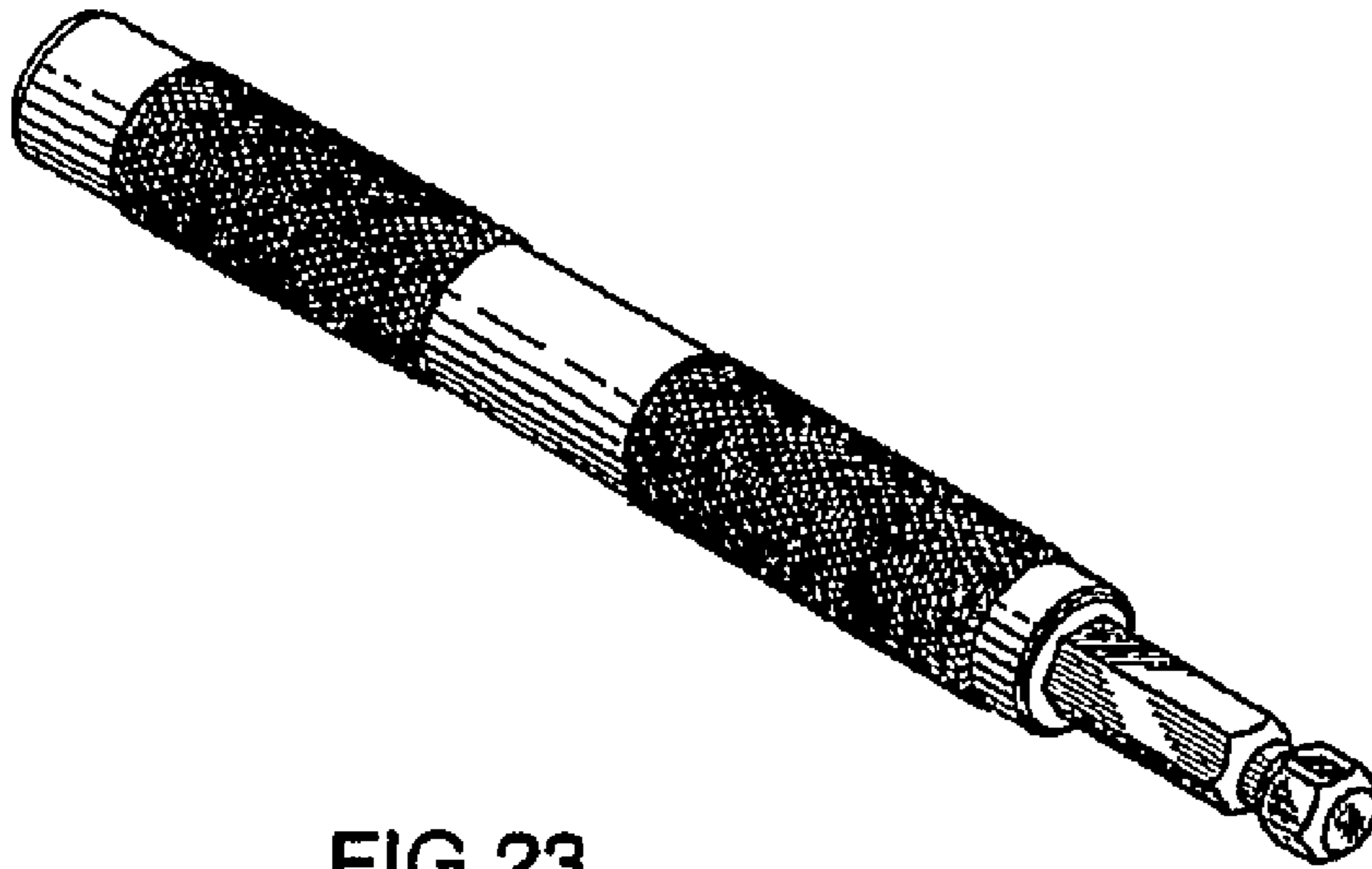


FIG.23



FIG. 24



FIG. 25



FIG. 26



FIG. 27

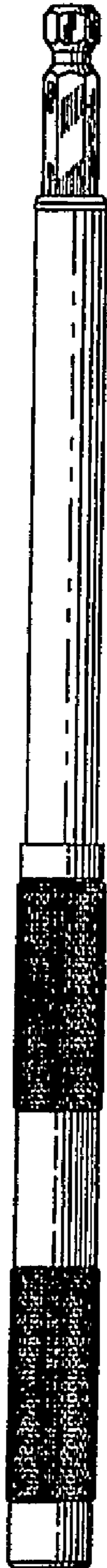


FIG.28