



US00D525099S

(12) **United States Design Patent**  
**Nagasaka et al.**

(10) **Patent No.:** **US D525,099 S**  
(45) **Date of Patent:** **\*\* Jul. 18, 2006**

(54) **PORTABLE ELECTRIC DRIVER**  
(75) Inventors: **Hidenori Nagasaka**, Anjo (JP);  
**Shinsuke Okuda**, Anjo (JP)  
(73) Assignee: **Makita Corporation**, Anjo (JP)  
(\*\*) Term: **14 Years**

(21) Appl. No.: **29/234,909**  
(22) Filed: **Jul. 26, 2005**

(30) **Foreign Application Priority Data**

Jan. 31, 2005 (JP) ..... 2005-002469  
Jan. 31, 2005 (JP) ..... 2005-002470  
Jan. 31, 2005 (JP) ..... 2005-002471

(51) **LOC (8) Cl.** ..... **08-05**  
(52) **U.S. Cl.** ..... **D8/68**  
(58) **Field of Classification Search** ..... D8/14.1,  
D8/61, 62, 63, 64, 65, 66, 67, 68, 69, 70;  
81/57.11, 429, 464, 465, 466, 469, 489; 173/13,  
173/104, 114, 168, 169, 170, 171, 178, 201,  
173/211, 213, 217; 408/20, 124, 125, 234,  
408/241 R; 451/358; 310/50; 227/8, 114,  
227/120, 130, 136, 142

See application file for complete search history.

(56) **References Cited**

**U.S. PATENT DOCUMENTS**

D392,863 S \* 3/1998 Sugimoto et al. .... D8/68  
D424,902 S \* 5/2000 Gildersleeve et al. .... D8/68  
D437,761 S \* 2/2001 Okumura et al. .... D8/68  
D477,205 S \* 7/2003 Sakai et al. .... D8/68  
D484,385 S \* 12/2003 Sakai et al. .... D8/68  
D489,955 S \* 5/2004 Concari et al. .... D8/68  
6,729,415 B1 \* 5/2004 Huang ..... 173/217

6,745,883 B1 \* 6/2004 Eto et al. .... 173/178  
D493,344 S \* 7/2004 Watson ..... D8/68  
D494,435 S \* 8/2004 Hayakawa et al. .... D8/68  
D499,624 S \* 12/2004 Concari et al. .... D8/68  
D499,945 S \* 12/2004 Sugawara et al. .... D8/68  
6,860,342 B1 \* 3/2005 Wu et al. .... 173/217  
6,883,621 B1 \* 4/2005 Lin ..... 173/217  
D508,642 S \* 8/2005 Kokawa et al. .... D8/68  
D514,910 S \* 2/2006 Nagasaka et al. .... D8/68  
2002/0122707 A1 \* 9/2002 Sakai et al. .... 408/241 R  
2003/0159843 A1 \* 8/2003 Sakai et al. .... 173/217  
2005/0022638 A1 \* 2/2005 Milbourne et al. .... 81/466  
2005/0121209 A1 \* 6/2005 Shimizu et al. .... 173/217  
2005/0155778 A1 \* 7/2005 Ishida et al. .... 173/217

**FOREIGN PATENT DOCUMENTS**

JP S 1158194 9/2002

\* cited by examiner

*Primary Examiner*—T. Chase Nelson  
(74) *Attorney, Agent, or Firm*—Oliff & Berridge, PLC

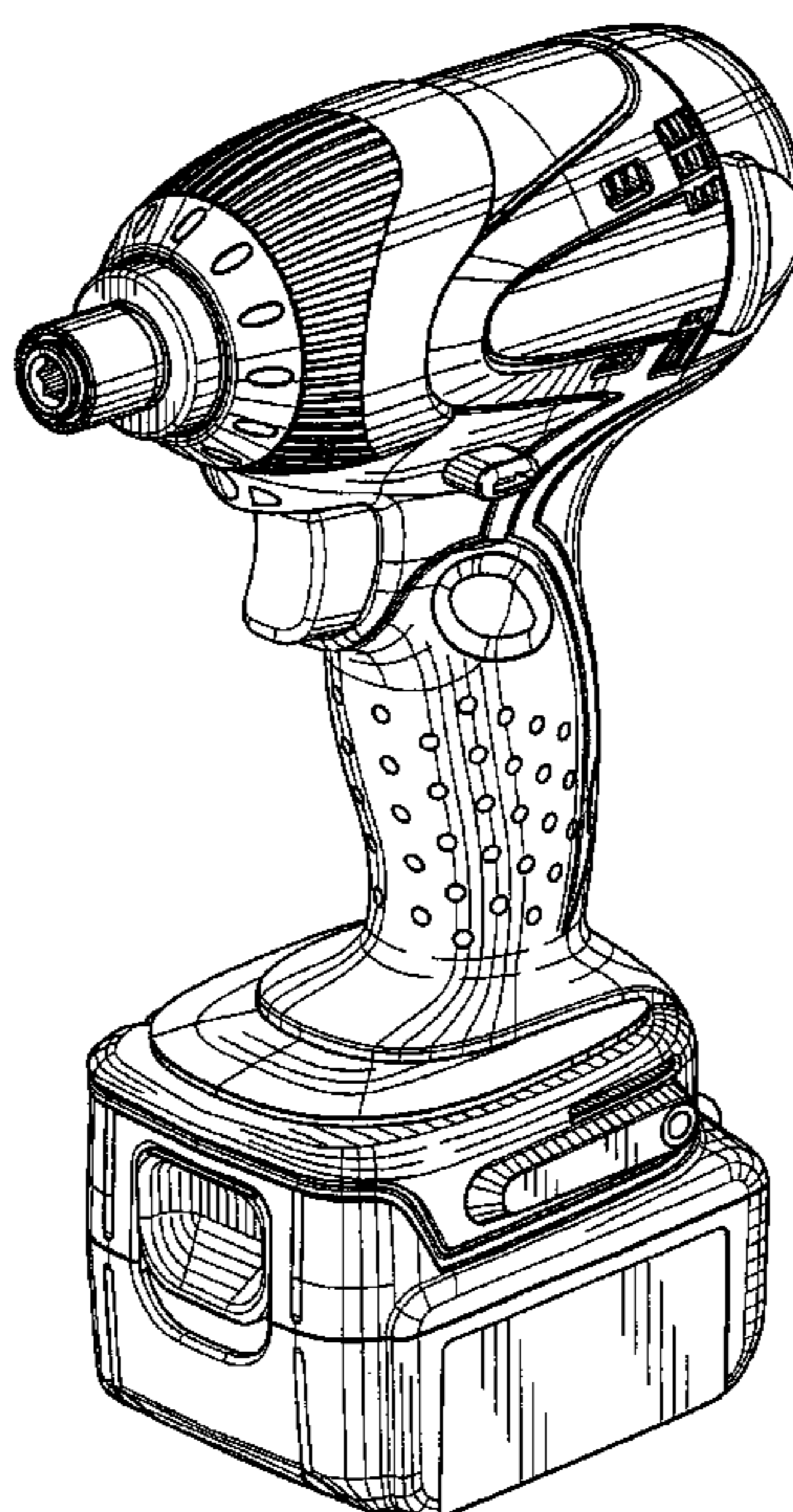
(57) **CLAIM**

The ornamental design for a portable electric driver, as shown and described.

**DESCRIPTION**

FIG. 1 is a front and left side perspective view of a portable electric driver showing our new design; FIG. 2 is a front and right side perspective view thereof; FIG. 3 is a front elevation view thereof; FIG. 4 is a rear elevation view thereof; FIG. 5 is a left side elevation view thereof; FIG. 6 is a right side elevation view thereof; FIG. 7 is a top plan view thereof; and, FIG. 8 is a bottom plan view thereof.

**1 Claim, 6 Drawing Sheets**



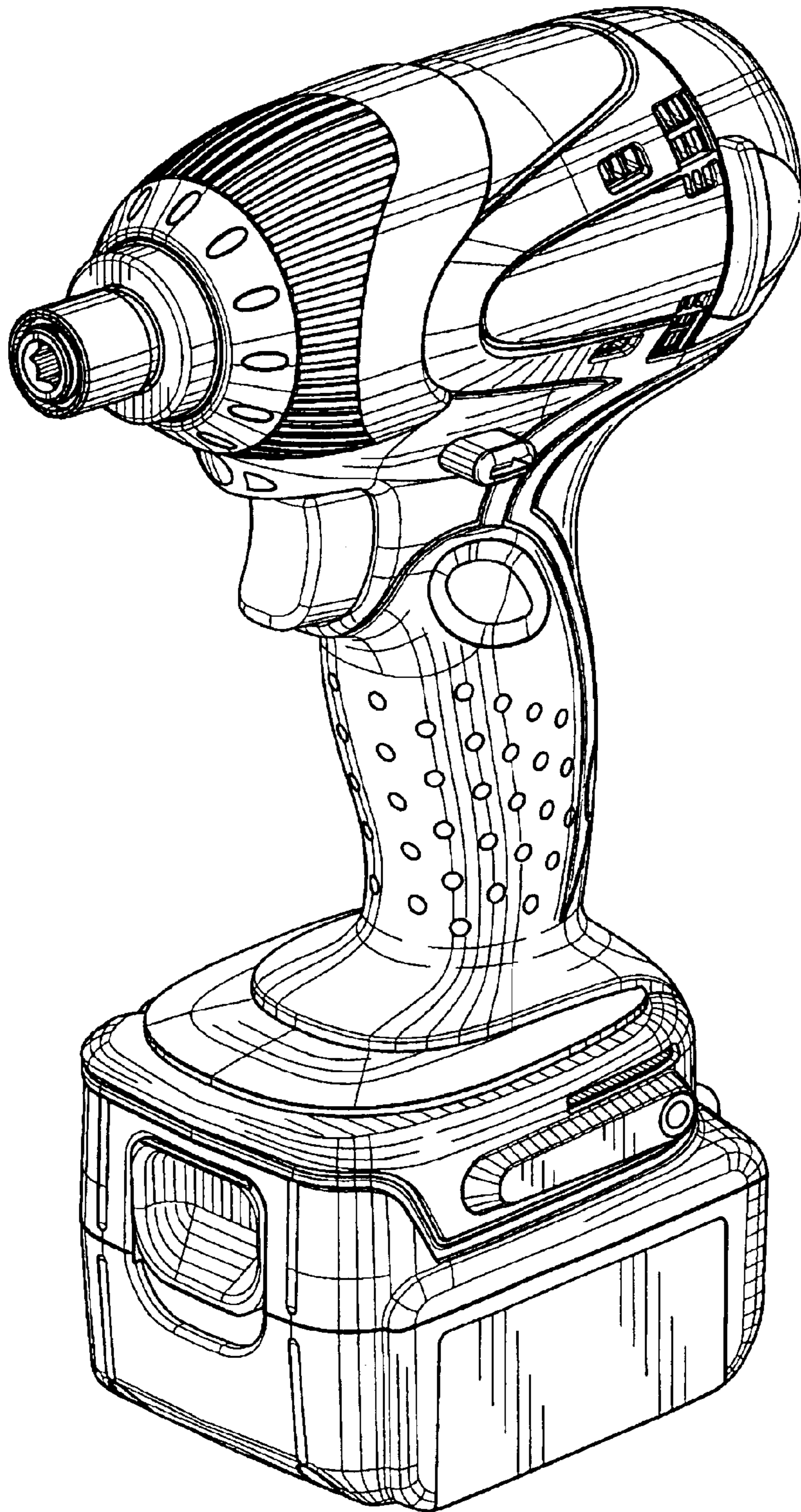


FIG. 1

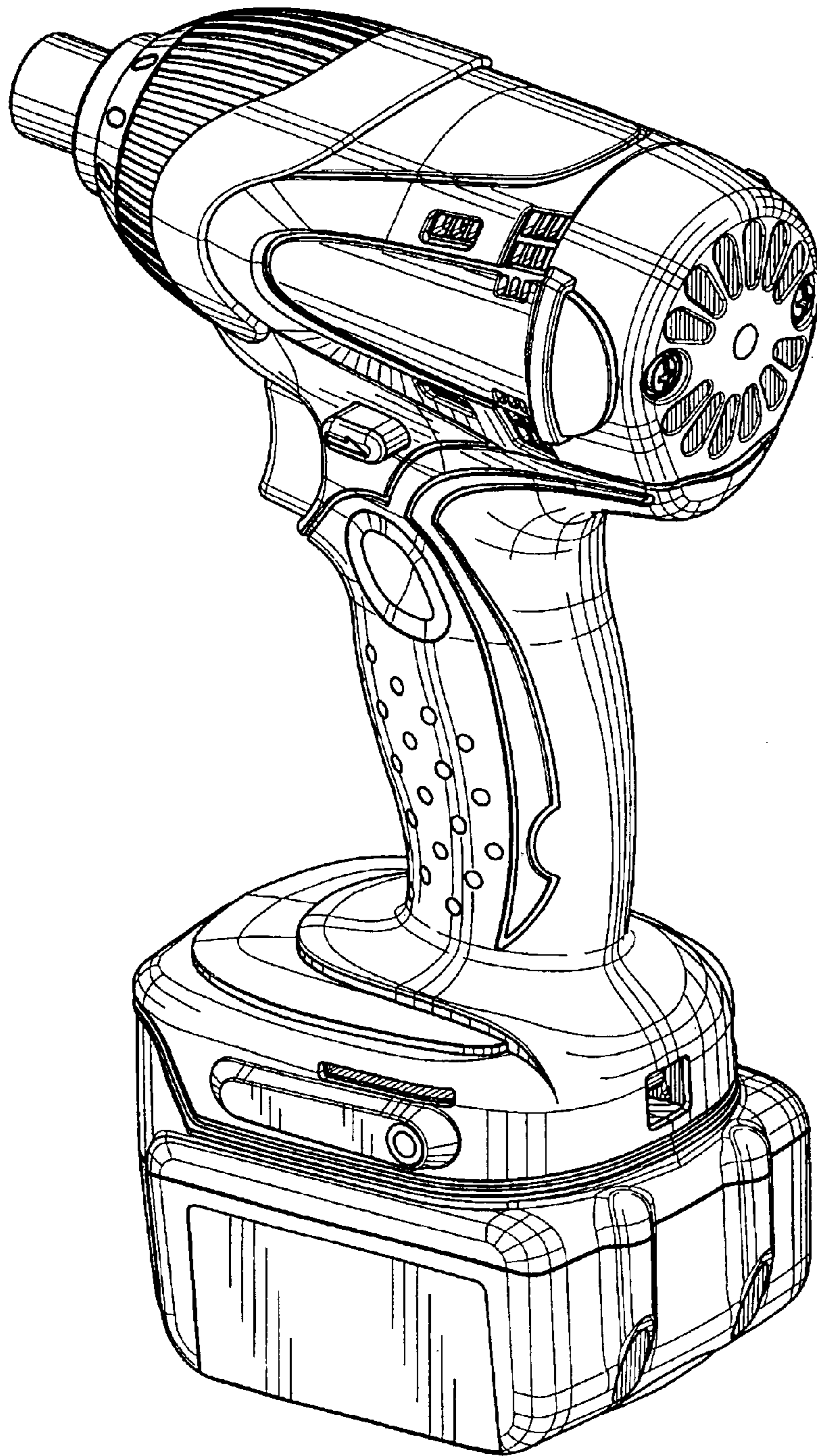


FIG. 2

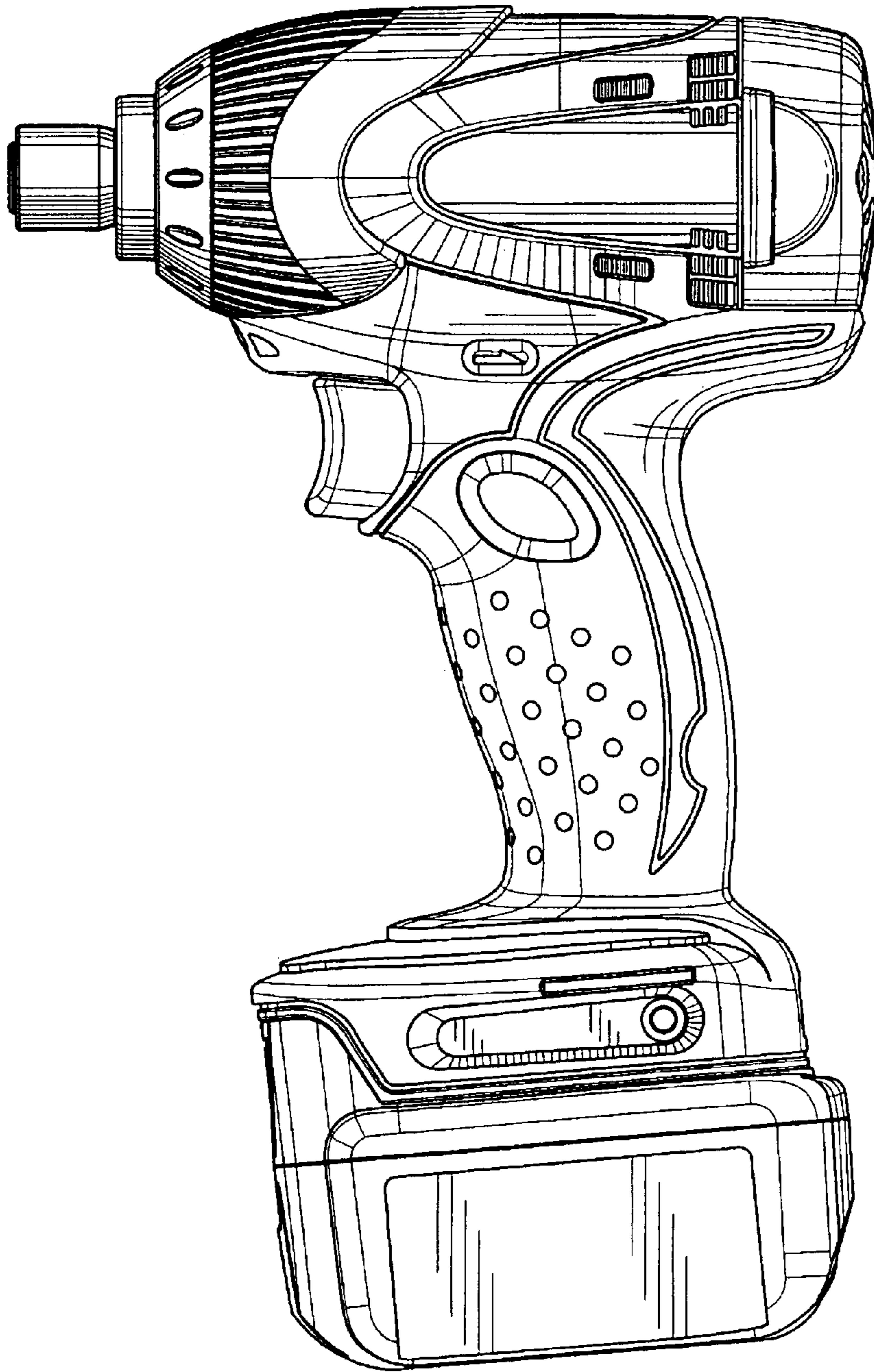


FIG. 3

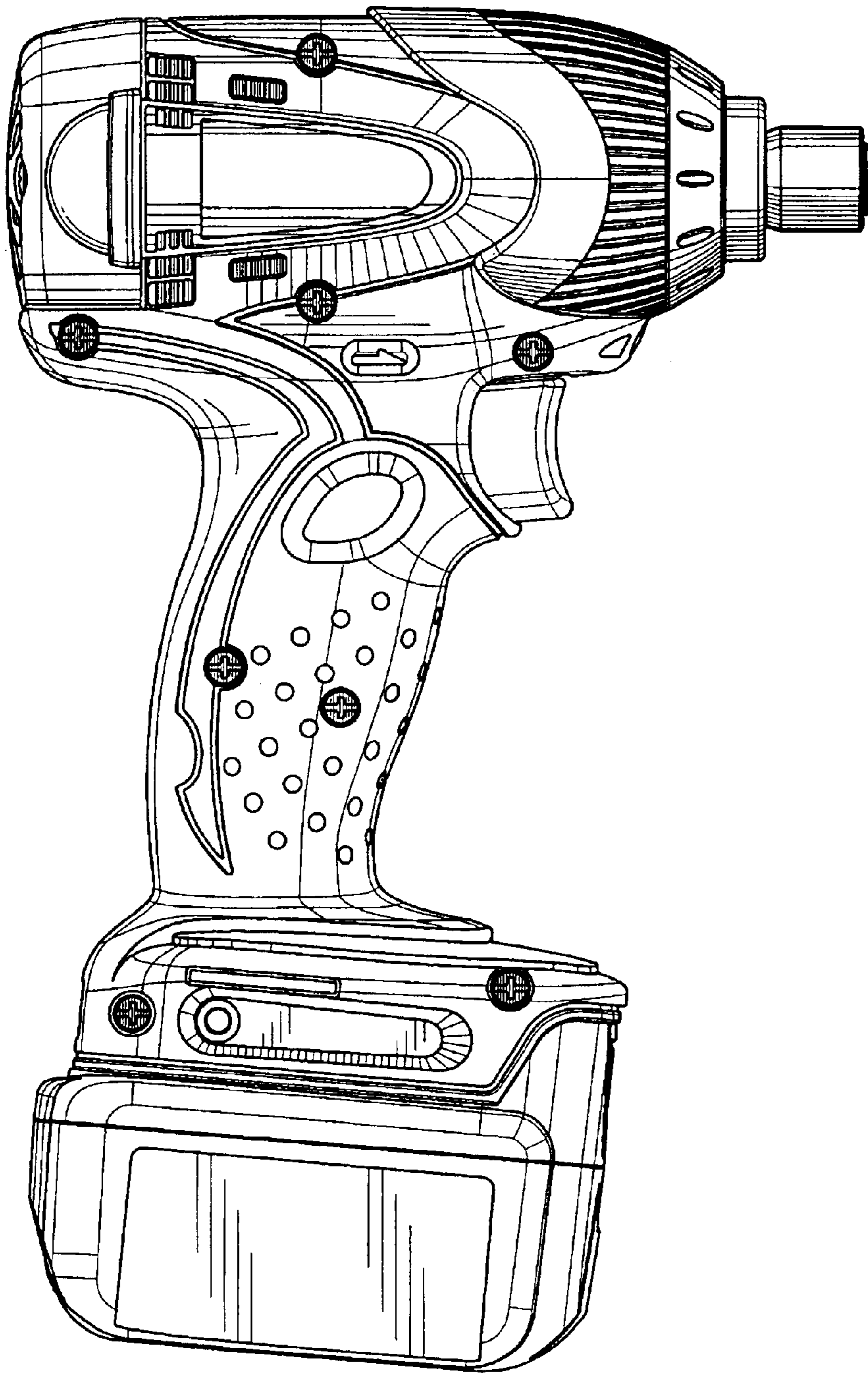


FIG. 4

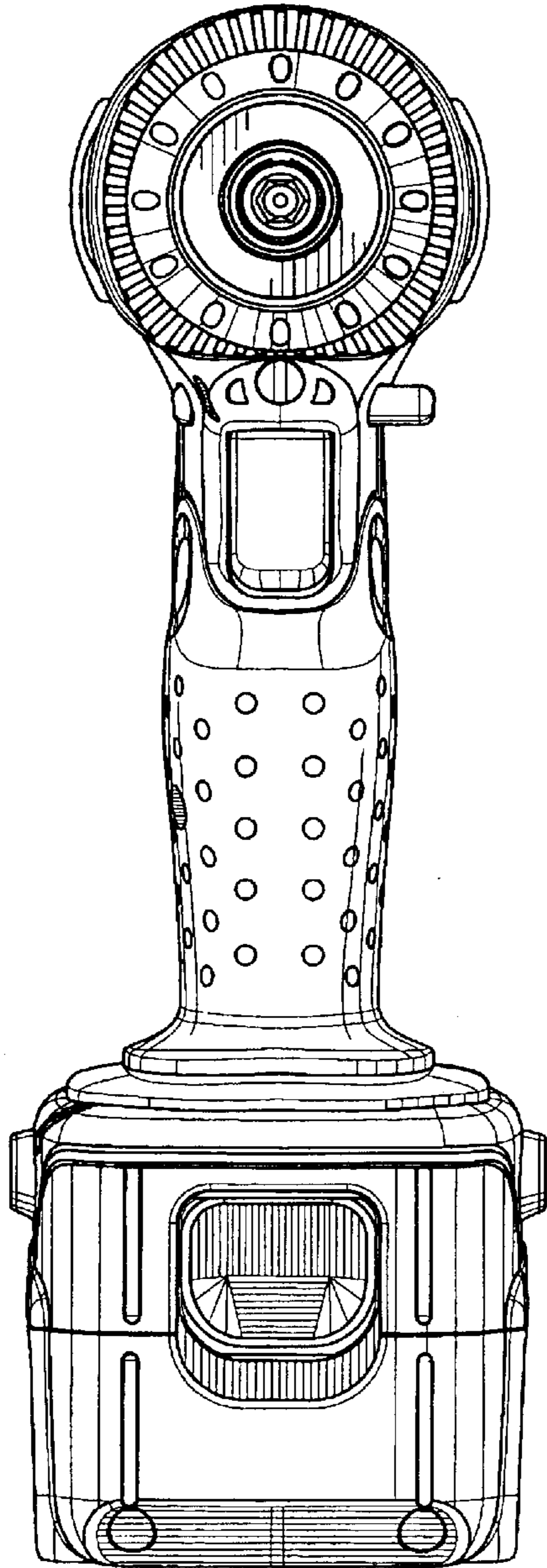


FIG. 5

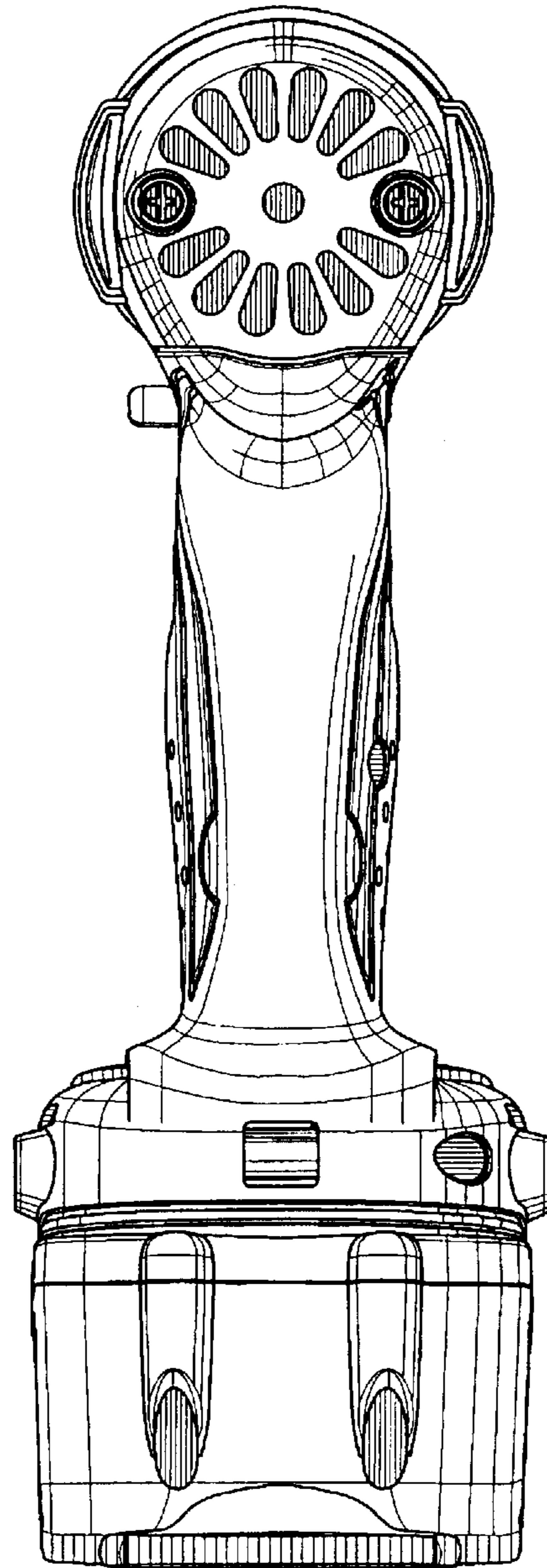


FIG. 6

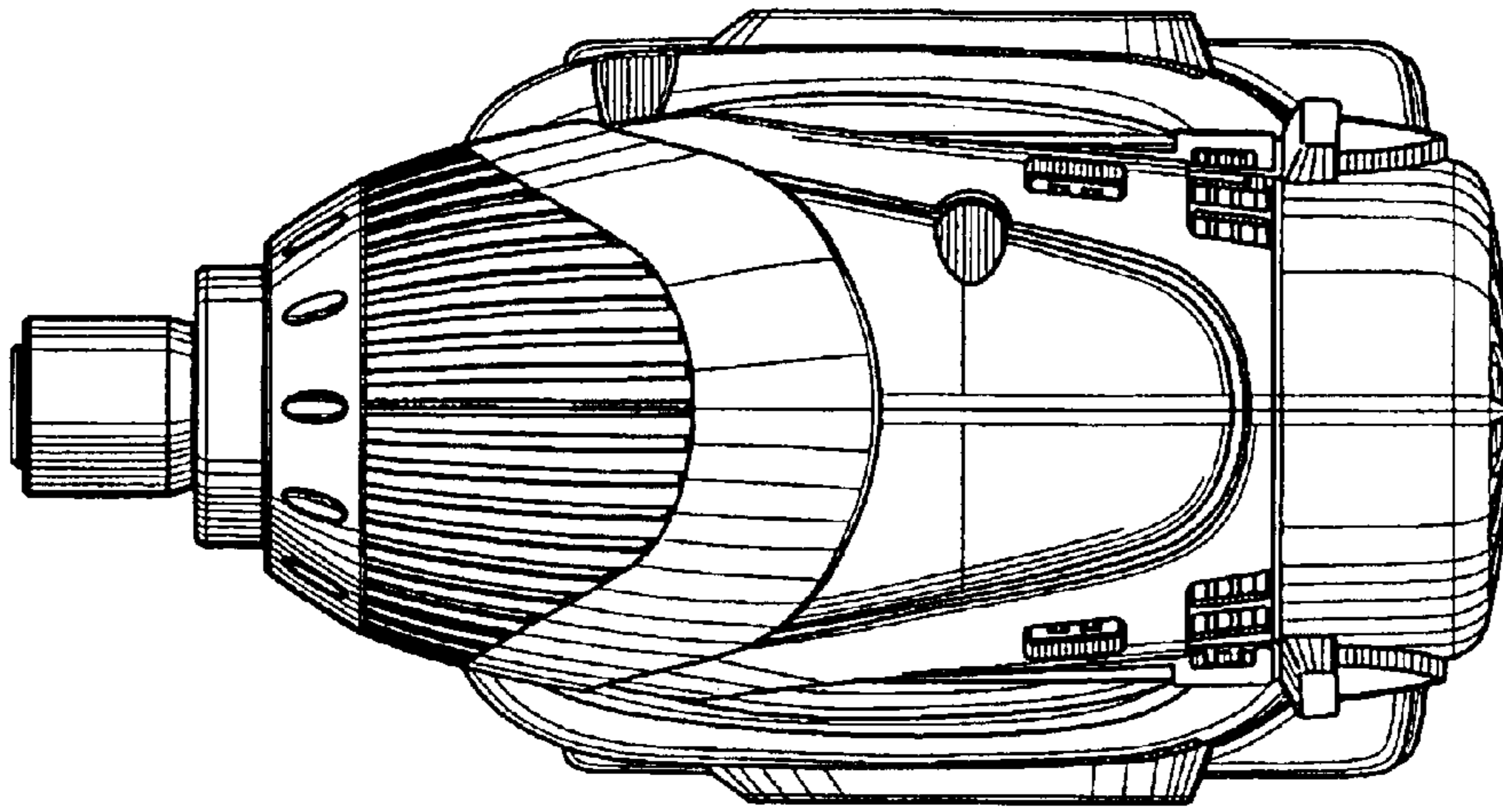


FIG. 7

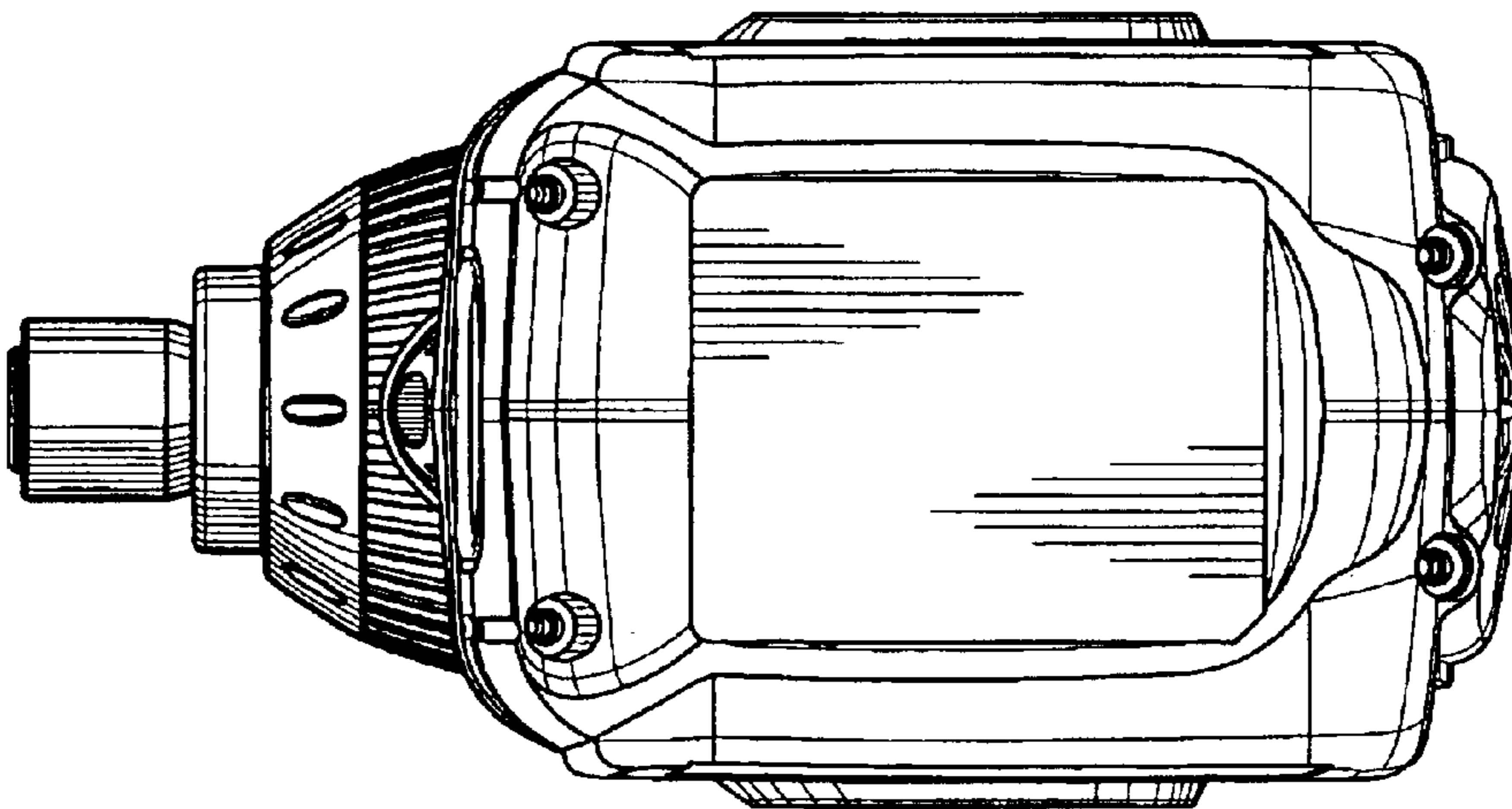


FIG. 8