



US00D525097S

(12) **United States Design Patent**
Tsang et al.

(10) **Patent No.:** **US D525,097 S**
(45) **Date of Patent:** **** Jul. 18, 2006**

- (54) **JIGSAW**
- (75) Inventors: **Lap Hon Tsang**, Tuen Mun (HK);
Daniel Alex Chunn, Kowloon (HK)
- (73) Assignee: **One World Technologies Limited**,
Hamilton (BM)
- (**) Term: **14 Years**
- (21) Appl. No.: **29/214,360**
- (22) Filed: **Sep. 30, 2004**
- (30) **Foreign Application Priority Data**
Jun. 4, 2004 (EM) 159934
- (51) **LOC (8) Cl.** **08-03**
- (52) **U.S. Cl.** **D8/64**
- (58) **Field of Classification Search** D8/69,
D8/68, 67, 66, 64, 61; 83/747, 699.21; 310/50;
30/394, 393, 392, 391, 390, 377, 376; 173/217,
173/216
See application file for complete search history.

6,241,027 B1	6/2001	Beck et al.	
D446,703 S	8/2001	Netzler	
D451,356 S	12/2001	Pretzell	
D454,476 S	3/2002	Bruno	
6,357,124 B1	3/2002	Wall et al.	
D462,591 S	9/2002	Gist	
D463,963 S	10/2002	Metaxatos et al.	
6,553,675 B1	4/2003	Orrico	
D474,384 S	5/2003	Andriolo	
D475,264 S	* 6/2003	Kondo et al.	D8/64
D476,871 S	7/2003	Santarsiero et al.	
6,641,467 B1	11/2003	Robson et al.	
D483,637 S	* 12/2003	Tam et al.	D8/64
D484,381 S	12/2003	Yamada et al.	
D485,147 S	1/2004	Yamada et al.	
D486,711 S	2/2004	Tam et al.	
6,705,017 B1	3/2004	Ellis et al.	
2002/0178588 A1	12/2002	Okumura et al.	
2003/0167641 A1	9/2003	Teng	
2003/0196337 A1	10/2003	Wu	
2003/0196338 A1	10/2003	Eto et al.	

* cited by examiner

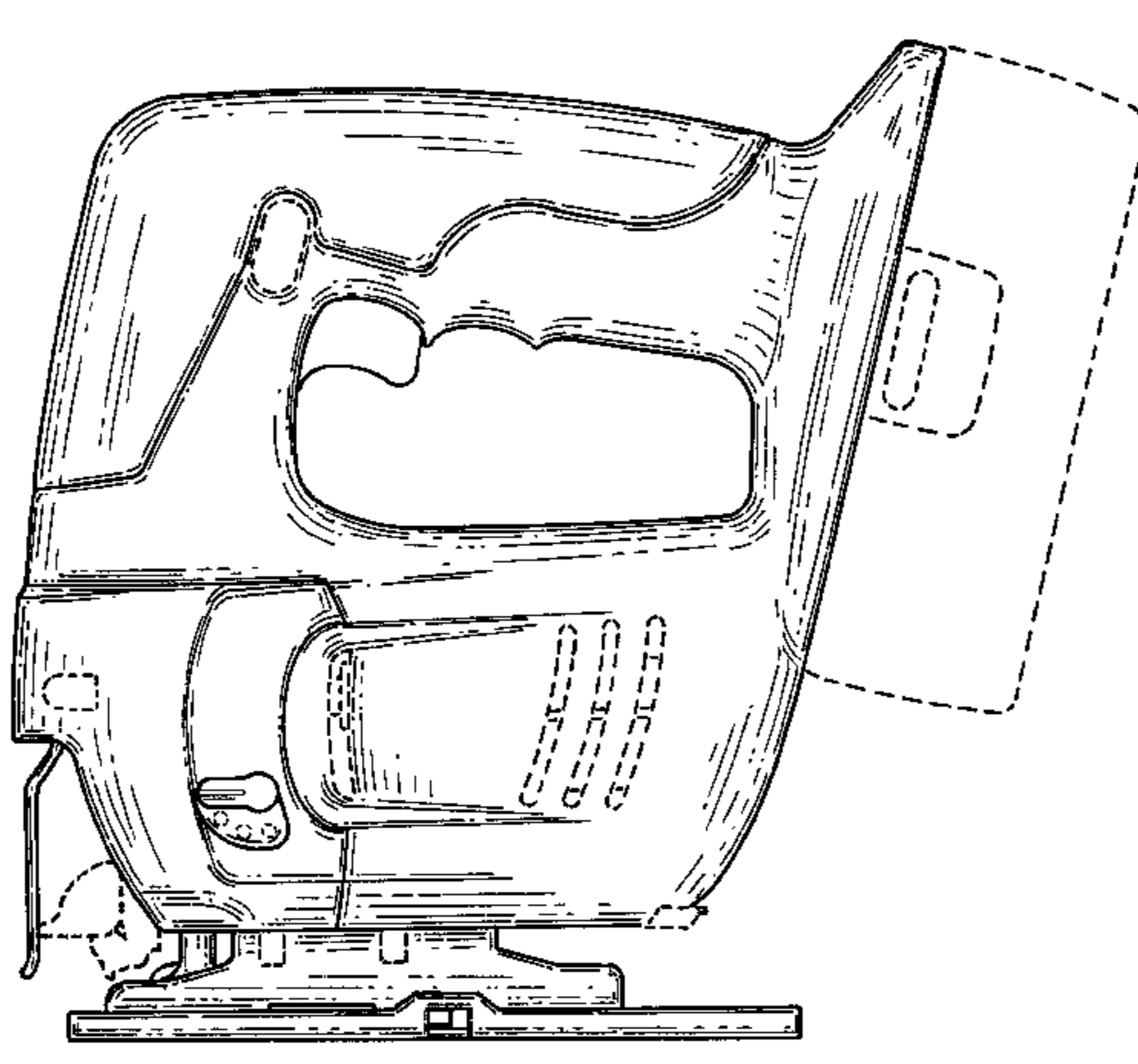
Primary Examiner—Cathron C. Brooks
Assistant Examiner—Austin Murphy
(74) *Attorney, Agent, or Firm*—Brinks Hofer Gilson & Lione

- (56) **References Cited**
U.S. PATENT DOCUMENTS
- D191,570 S 10/1961 Downs
- 3,087,519 A 4/1963 McCarty et al.
- 3,863,342 A 2/1975 Griffies et al.
- 3,942,251 A 3/1976 Griffies et al.
- 4,213,242 A 7/1980 Partington
- D295,945 S * 5/1988 Sakamoto et al. D8/64
- D297,401 S * 8/1988 Clowers D8/64
- D329,005 S 9/1992 Hoshino et al.
- D337,709 S 7/1993 Ogawa et al.
- D339,276 S 9/1993 Matsuoka et al.
- D404,274 S 1/1999 Ogasawara et al.
- D409,469 S * 5/1999 Niwa et al. D8/69
- D410,183 S 5/1999 Thomson
- D414,094 S 9/1999 Heun
- 5,987,758 A 11/1999 McCurry et al.
- D420,876 S 2/2000 Bosten et al.
- D423,314 S 4/2000 Robson
- D426,124 S 6/2000 Kassalen et al.
- 6,161,293 A 12/2000 Watson
- D440,474 S 4/2001 Heun

(57) **CLAIM**
We claim the ornamental design for a jigsaw, as shown and described.

DESCRIPTION
FIG. 1 is a top perspective view of a jigsaw of the present invention;
FIG. 2 is a first side view thereof;
FIG. 3 is a second side view thereof;
FIG. 4 is a bottom view thereof;
FIG. 5 is a top view thereof;
FIG. 6 is a rear view thereof; and,
FIG. 7 is a front view thereof.
The ornamental design which is claimed is shown in solid lines in the drawings. Any broken lines in the drawings are for illustrative purposes only and form no part of the claimed design.

1 Claim, 5 Drawing Sheets



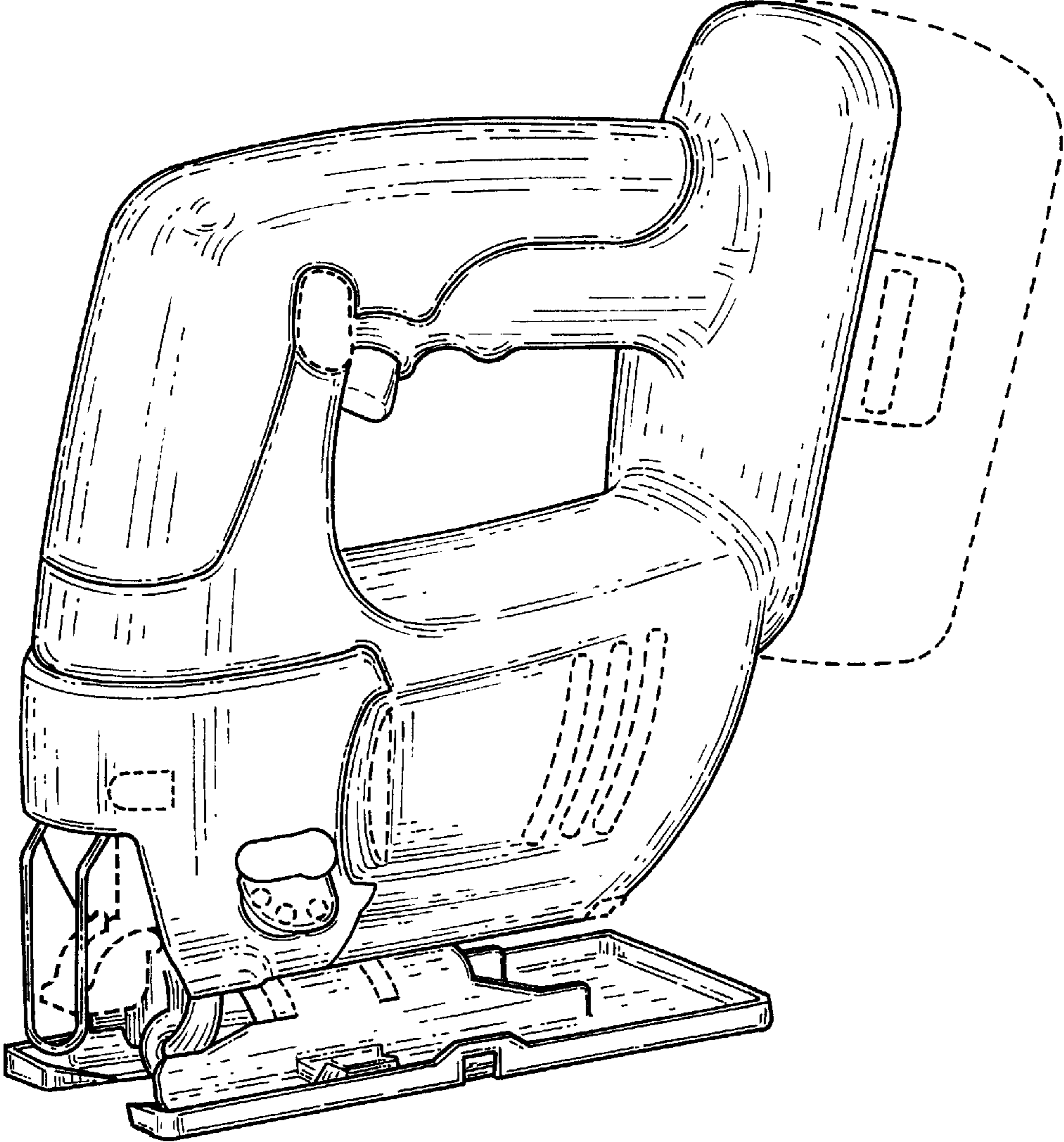


Fig. 1

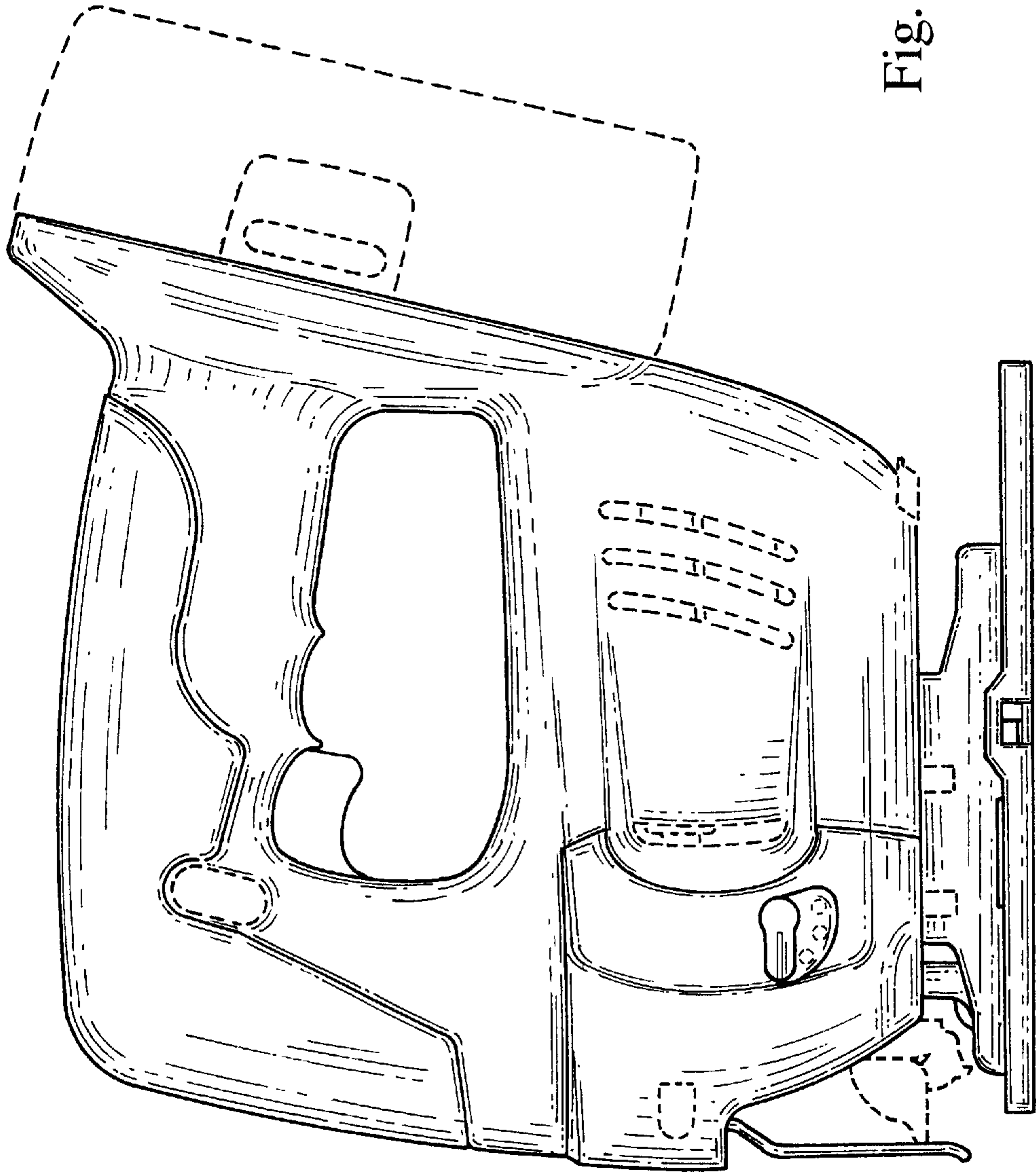
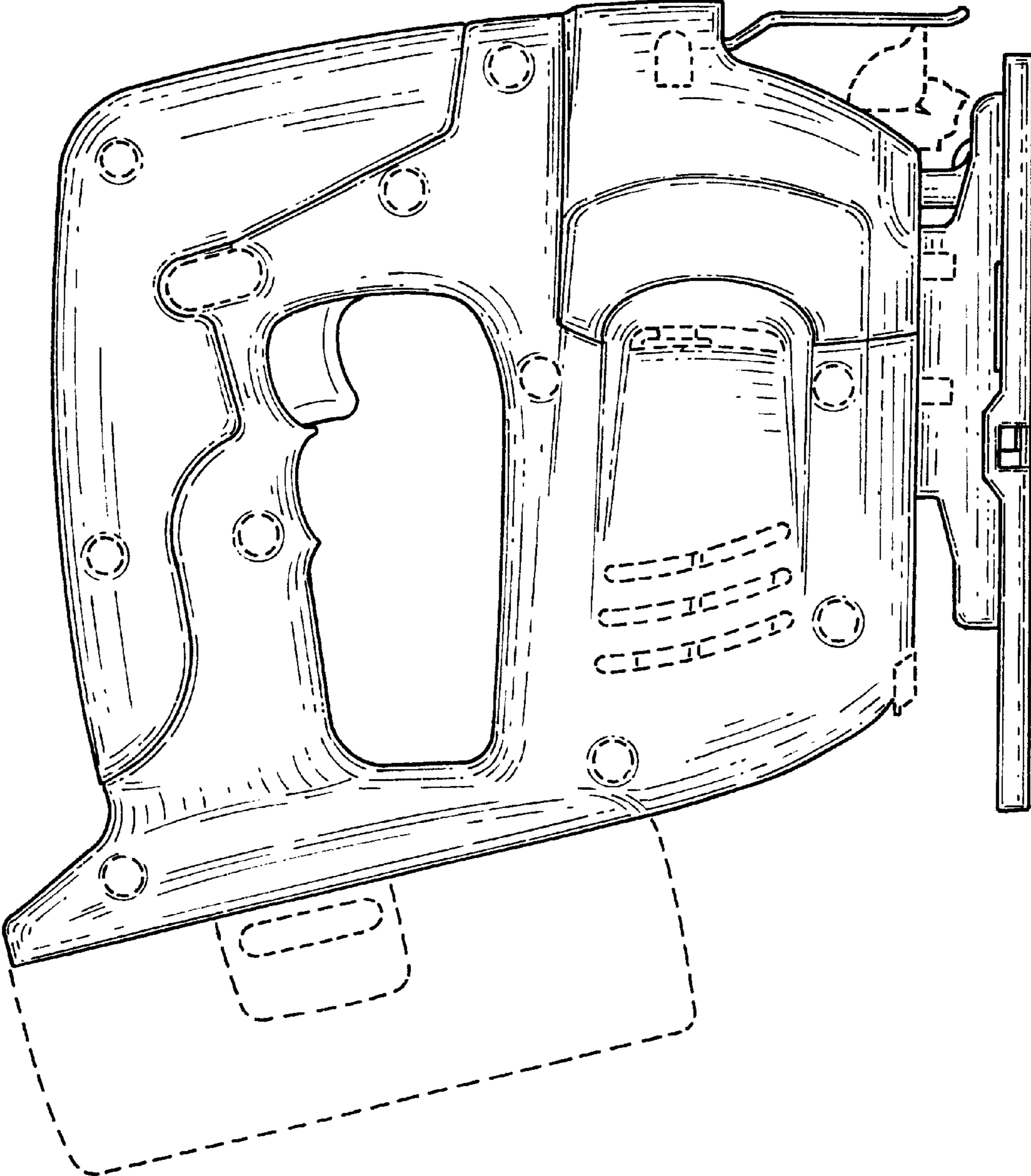


Fig. 2

Fig. 3



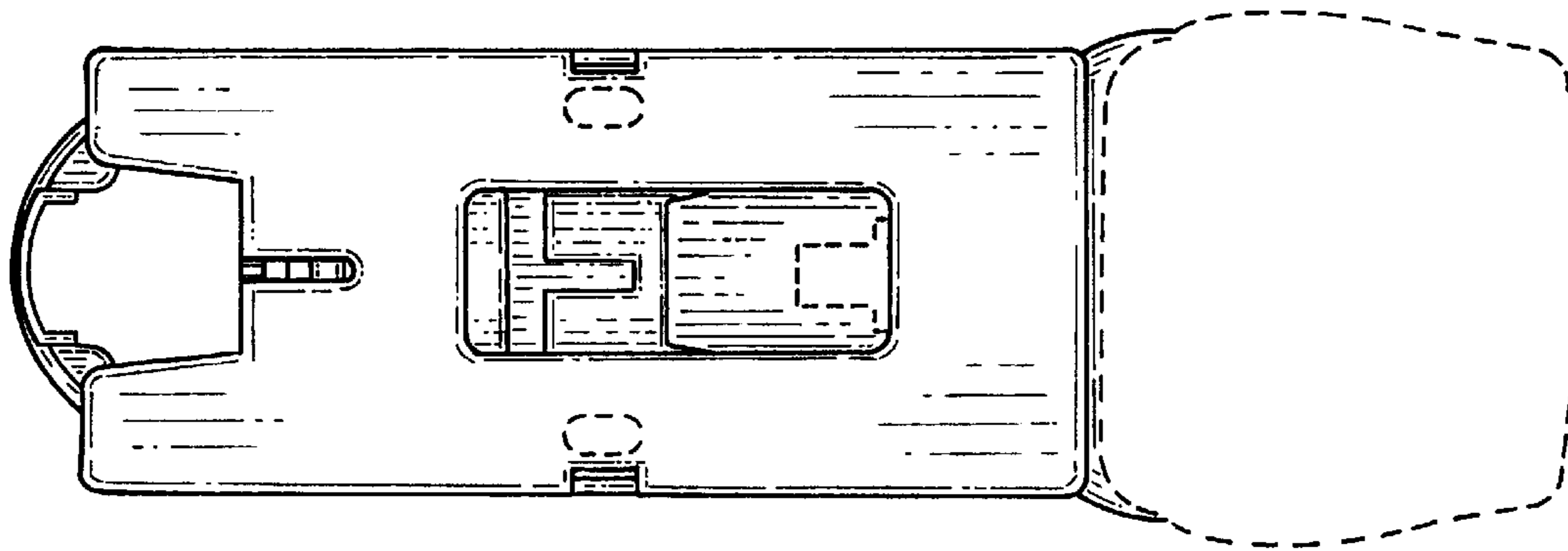


Fig. 4

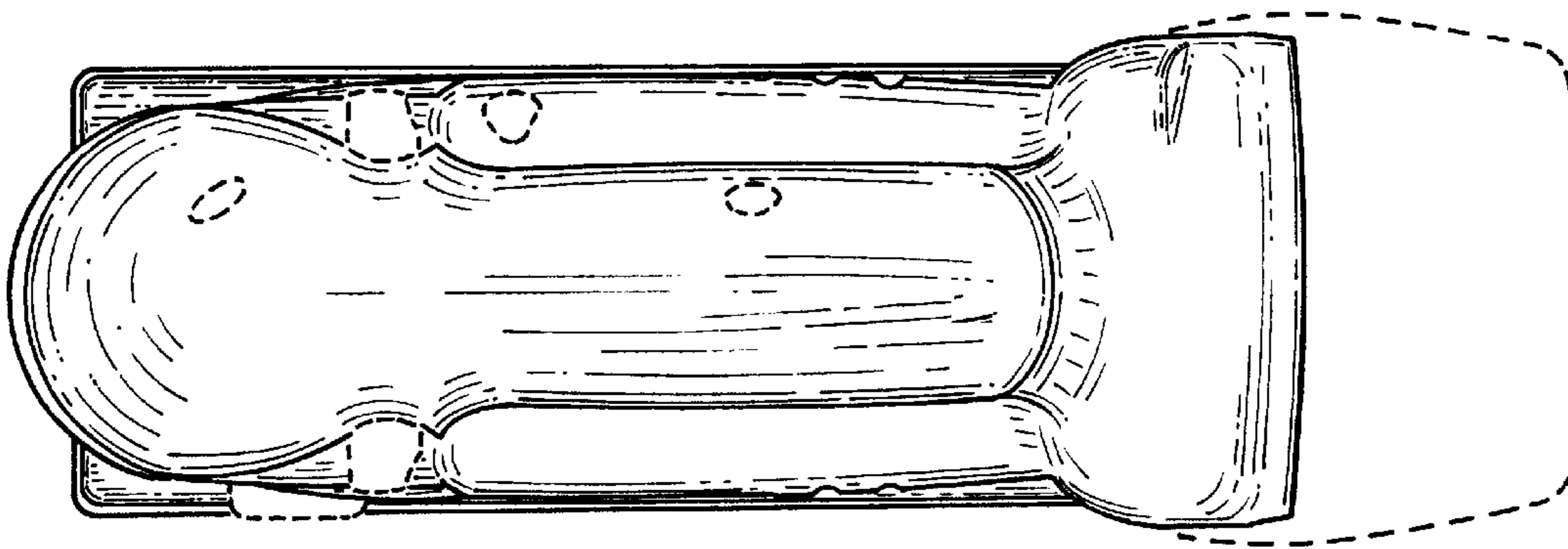


Fig. 5

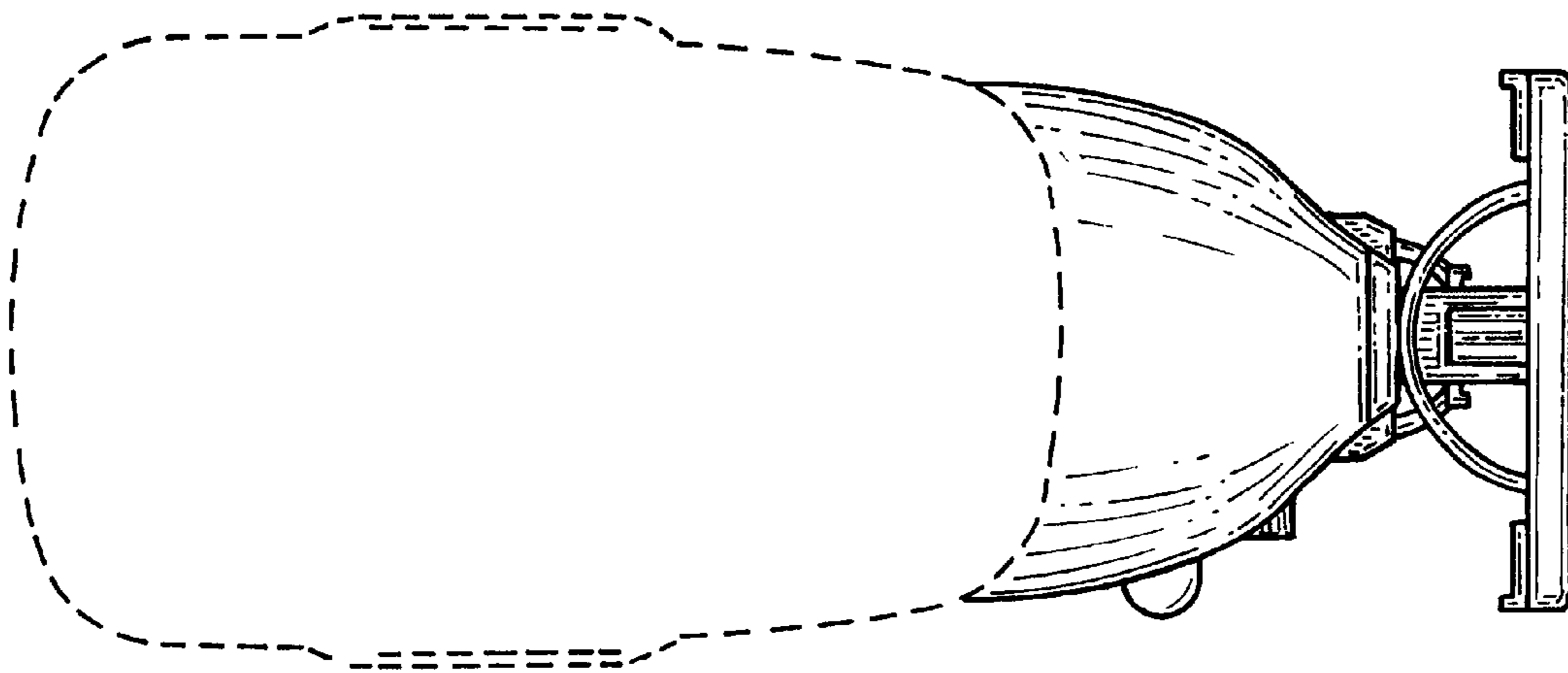


Fig. 6

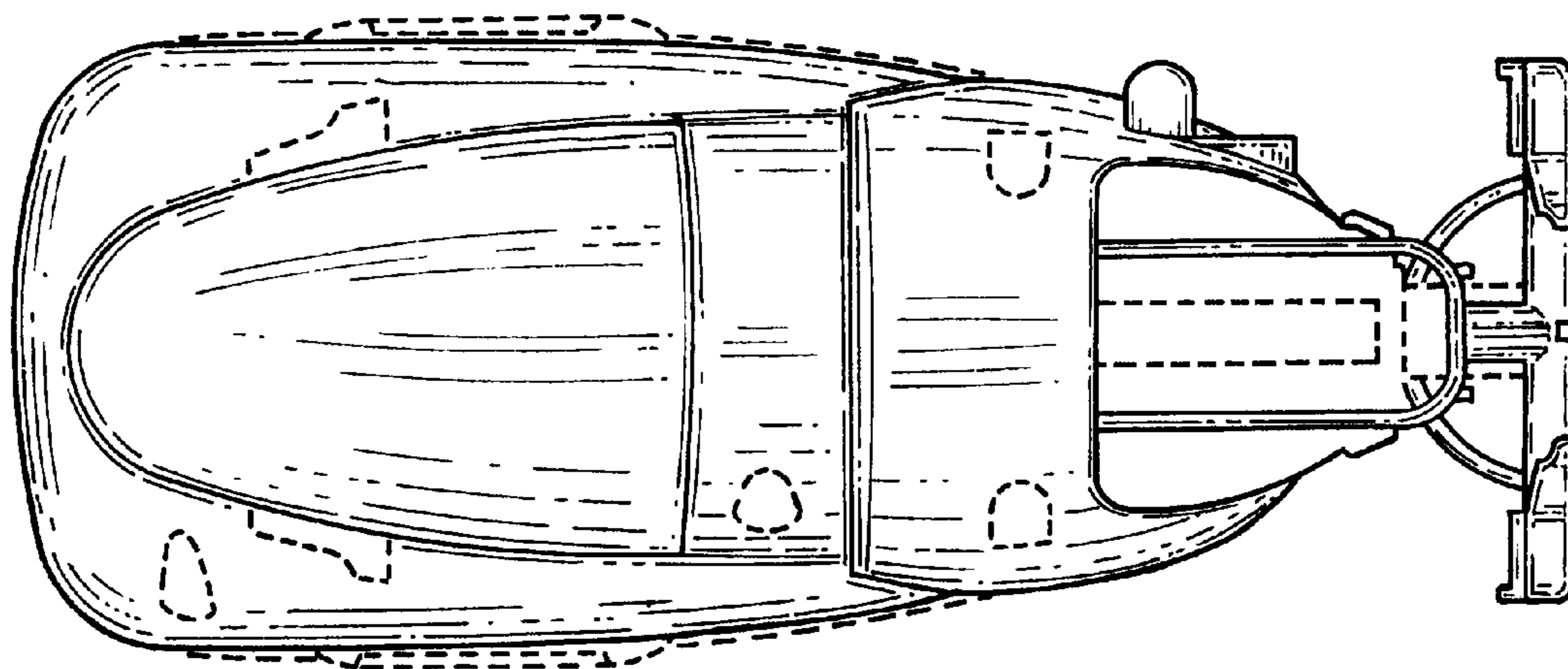


Fig. 7