



US00D525096S

(12) **United States Design Patent**  
**Hatch**

(10) **Patent No.:** **US D525,096 S**

(45) **Date of Patent:** **\*\* Jul. 18, 2006**

(54) **TUCK POINTER**

(75) Inventor: **Paul Hatch**, Chicago, IL (US)

(73) Assignee: **Robert Bosch GmbH**, Stuttgart (DE)

(\*\*) Term: **14 Years**

(21) Appl. No.: **29/190,408**

(22) Filed: **Sep. 19, 2003**

(30) **Foreign Application Priority Data**

Mar. 21, 2003 (DE) ..... 4 03 02 343

(51) **LOC (8) Cl.** ..... **08-01**

(52) **U.S. Cl.** ..... **D8/62**

(58) **Field of Classification Search** ..... D8/69,  
D8/67, 62, 61; 451/359, 358, 357, 356, 354,  
451/353, 351, 344, 294; 173/168

See application file for complete search history.

(56) **References Cited**

**U.S. PATENT DOCUMENTS**

D295,824 S *	5/1988	Hoshino et al.	.....	D8/62
D305,399 S *	1/1990	Fushiya et al.	.....	D8/62
D396,175 S *	7/1998	Chung	.....	D8/62
D433,906 S *	11/2000	Heun	.....	D8/62
D475,263 S *	6/2003	Andriolo	.....	D8/62
6,872,121 B1 *	3/2005	Wiesner et al.	.....	451/5
6,893,334 B1 *	5/2005	Stivers	.....	451/359

2003/0166385 A1 \* 9/2003 Nelson ..... 451/359

\* cited by examiner

*Primary Examiner*—Cathron C. Brooks

*Assistant Examiner*—Austin Murphy

(74) *Attorney, Agent, or Firm*—Michael J. Striker

(57) **CLAIM**

The ornamental design for a tuck pointer, as shown and described.

**DESCRIPTION**

FIG. 1 is a front perspective view of a tuck pointer showing my new design;

FIG. 2 is a rear view thereof;

FIG. 3 is a front view thereof;

FIG. 4 is a side view thereof;

FIG. 5 is the opposite side view of FIG. 4 thereof;

FIG. 6 is a top view thereof; and

FIG. 7 is a bottom view thereof;

FIG. 8 is a front perspective view of a first alternative embodiment of a tuck pointer showing my new design;

FIG. 9 is a rear view thereof;

FIG. 10 is a front view thereof;

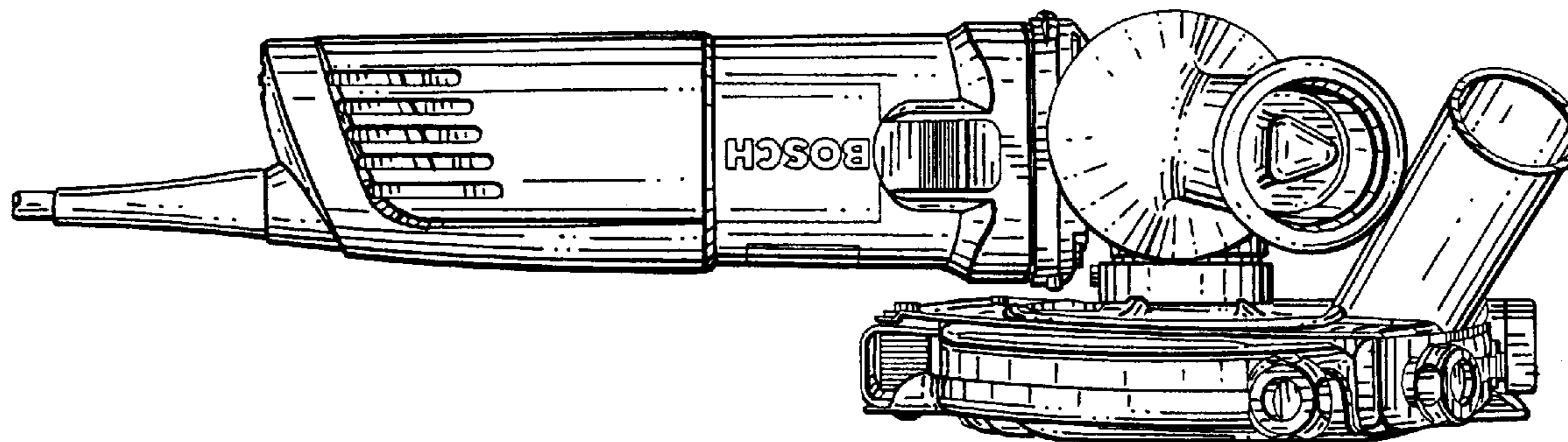
FIG. 11 is a side view thereof;

FIG. 12 is the opposite side view of FIG. 11 thereof;

FIG. 13 is a top view thereof; and,

FIG. 14 is a bottom view thereof.

**1 Claim, 14 Drawing Sheets**



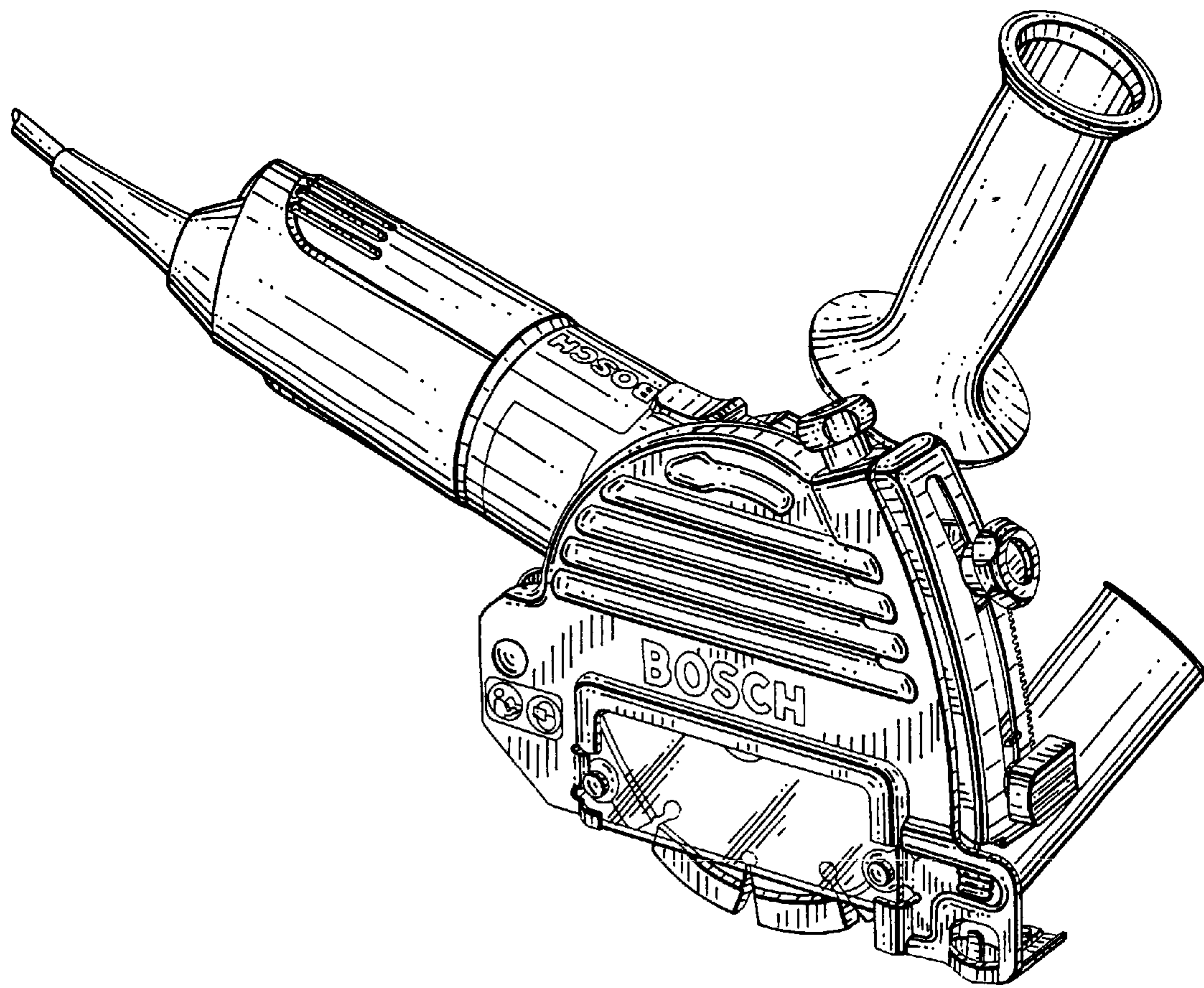


FIG. 1

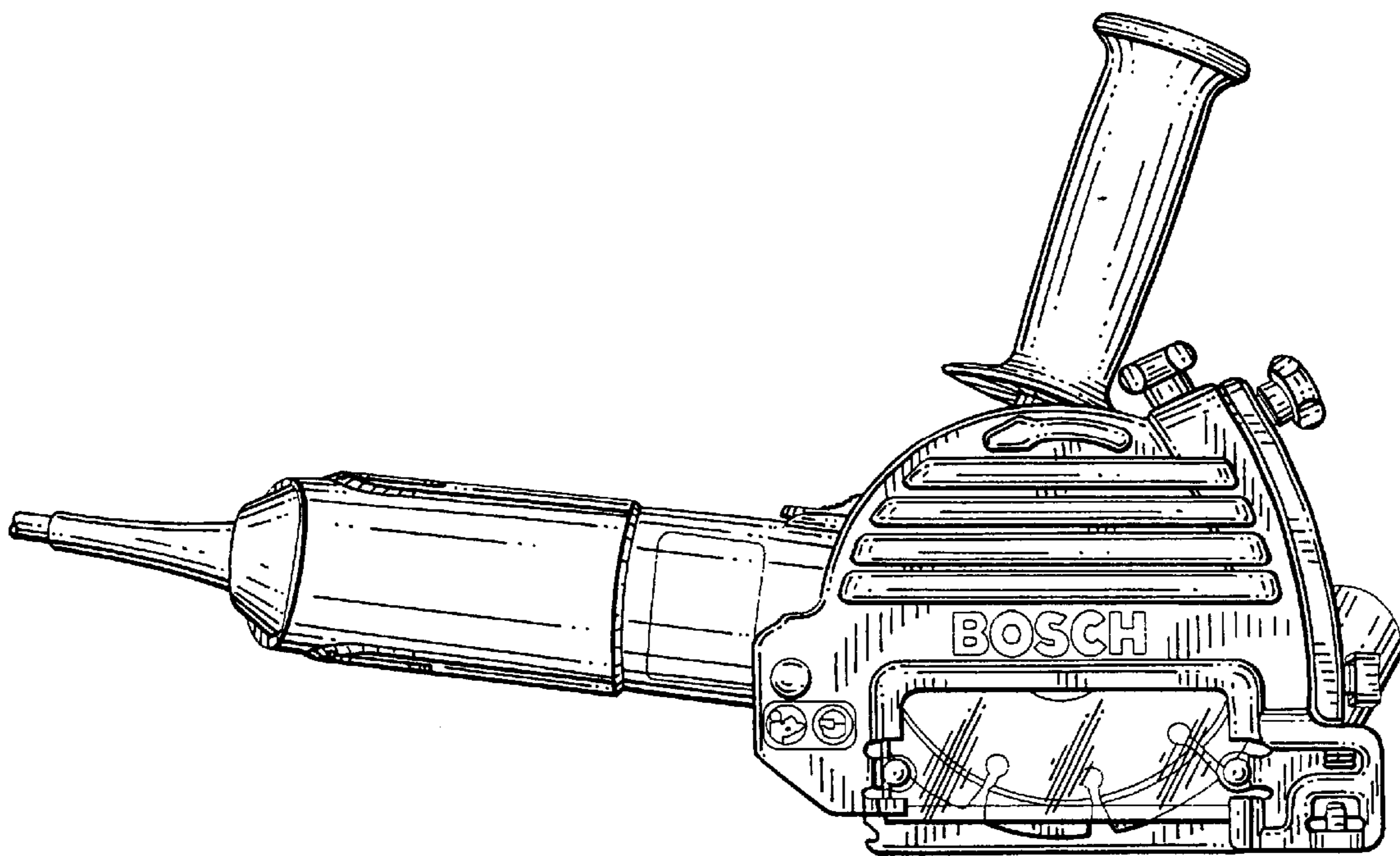


FIG. 2

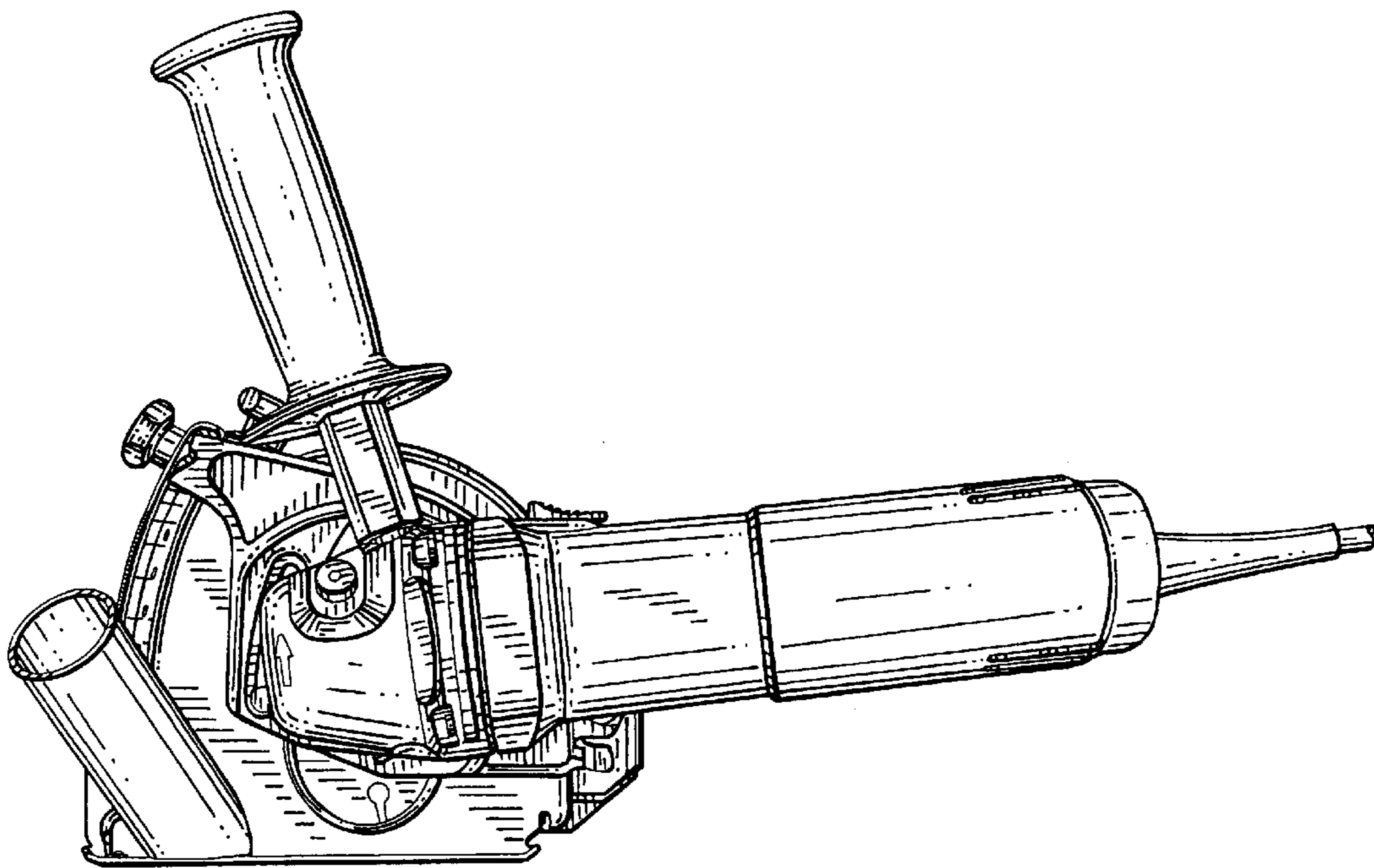


FIG. 3

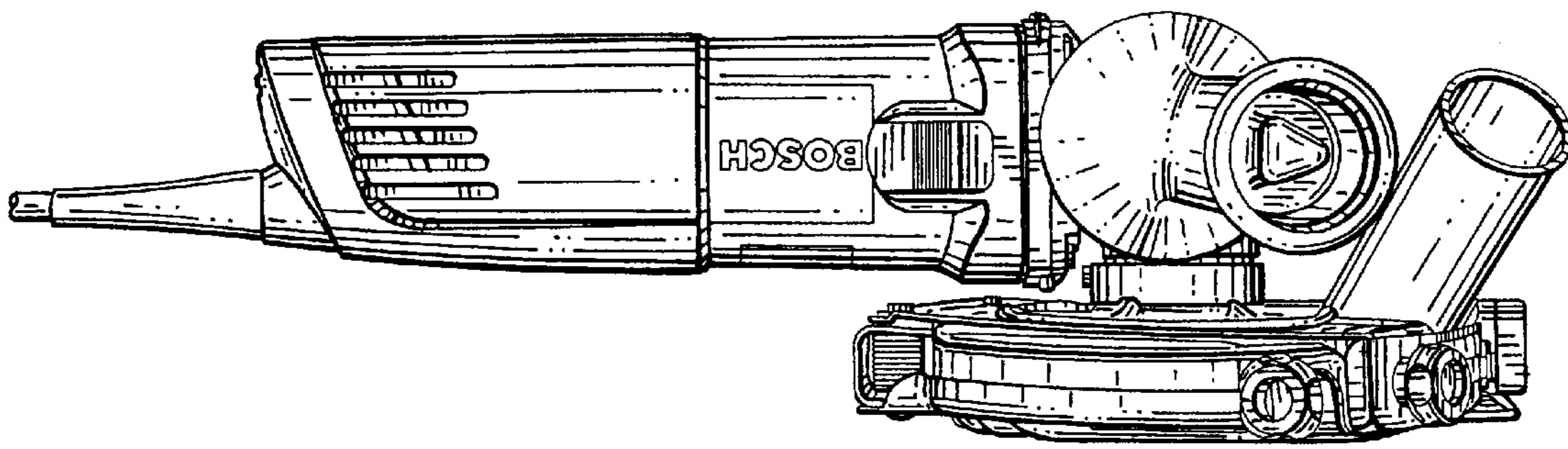


FIG. 4

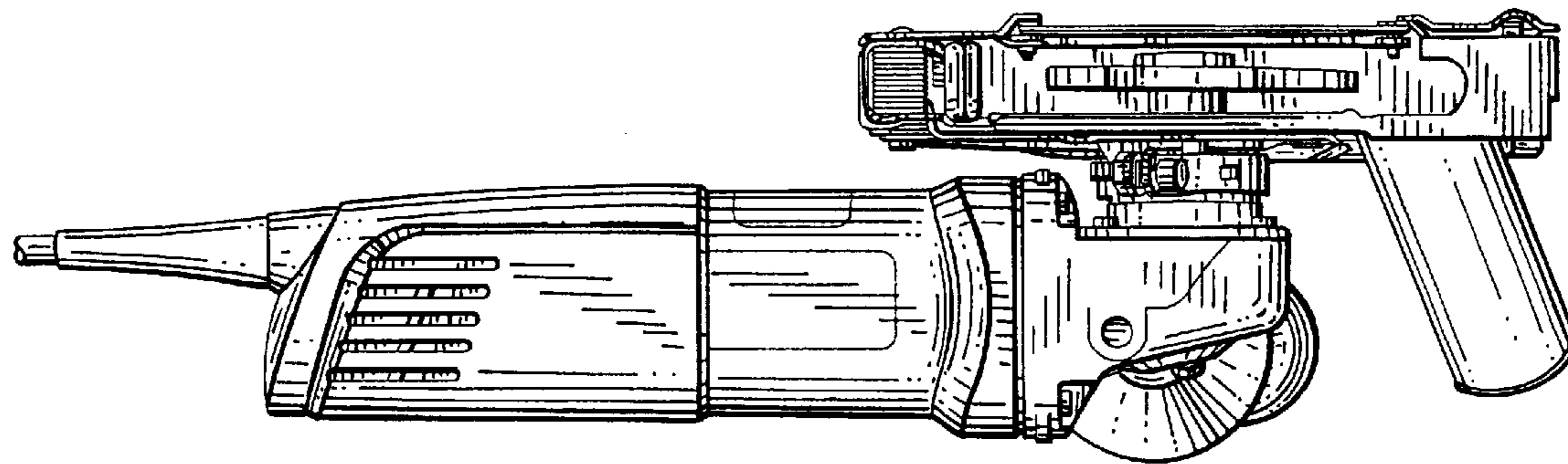


FIG. 5

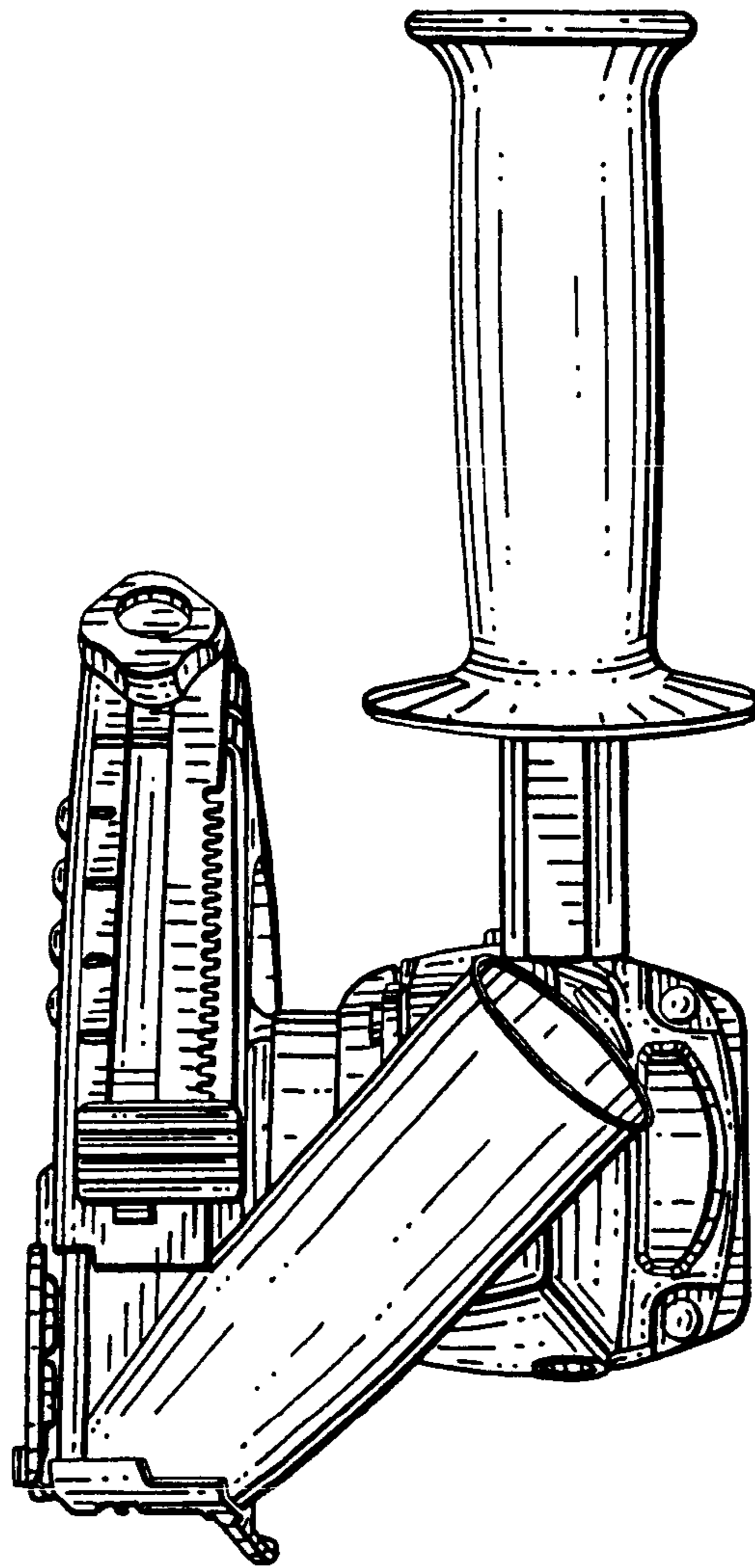


FIG. 6

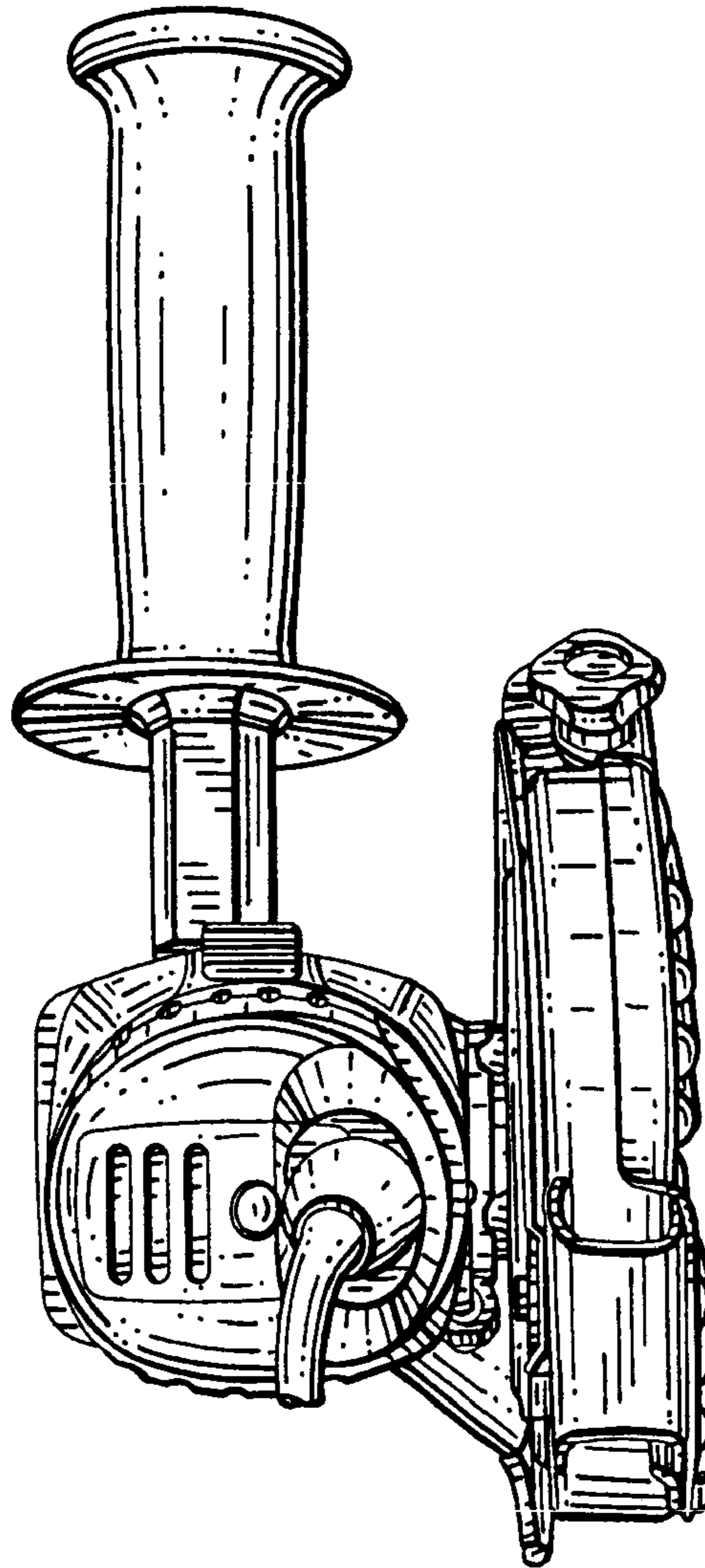


FIG. 7



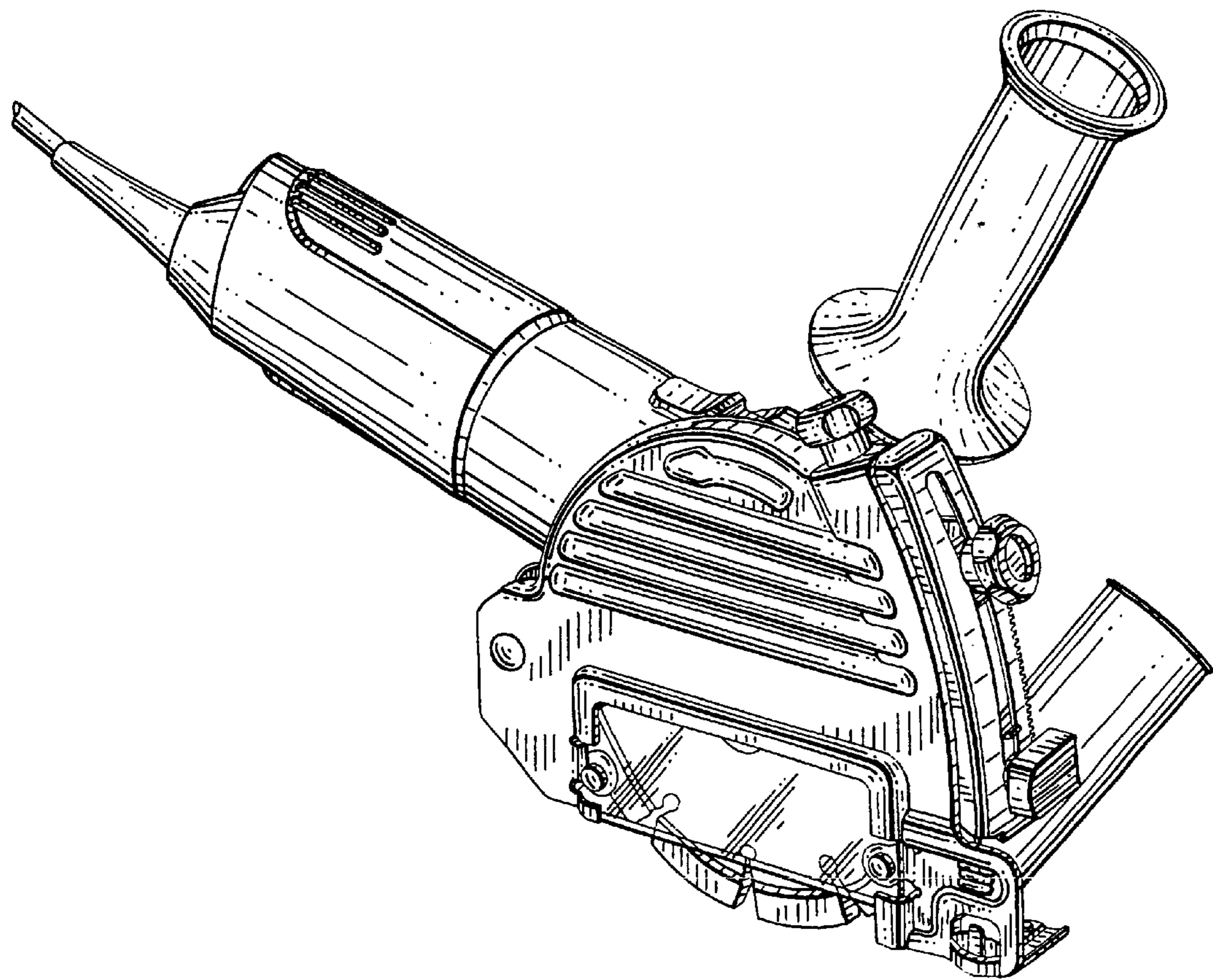


FIG. 8

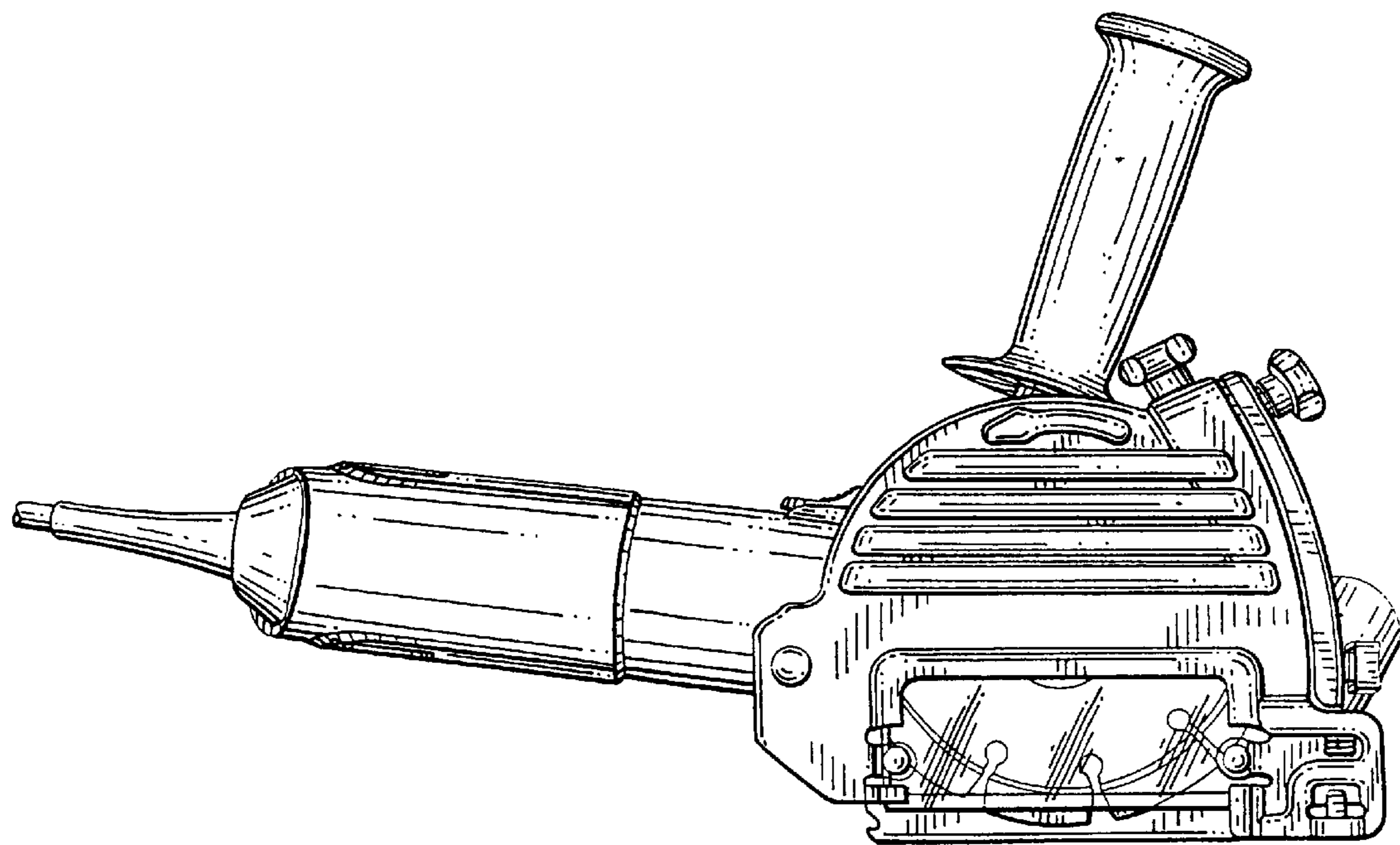


FIG. 9

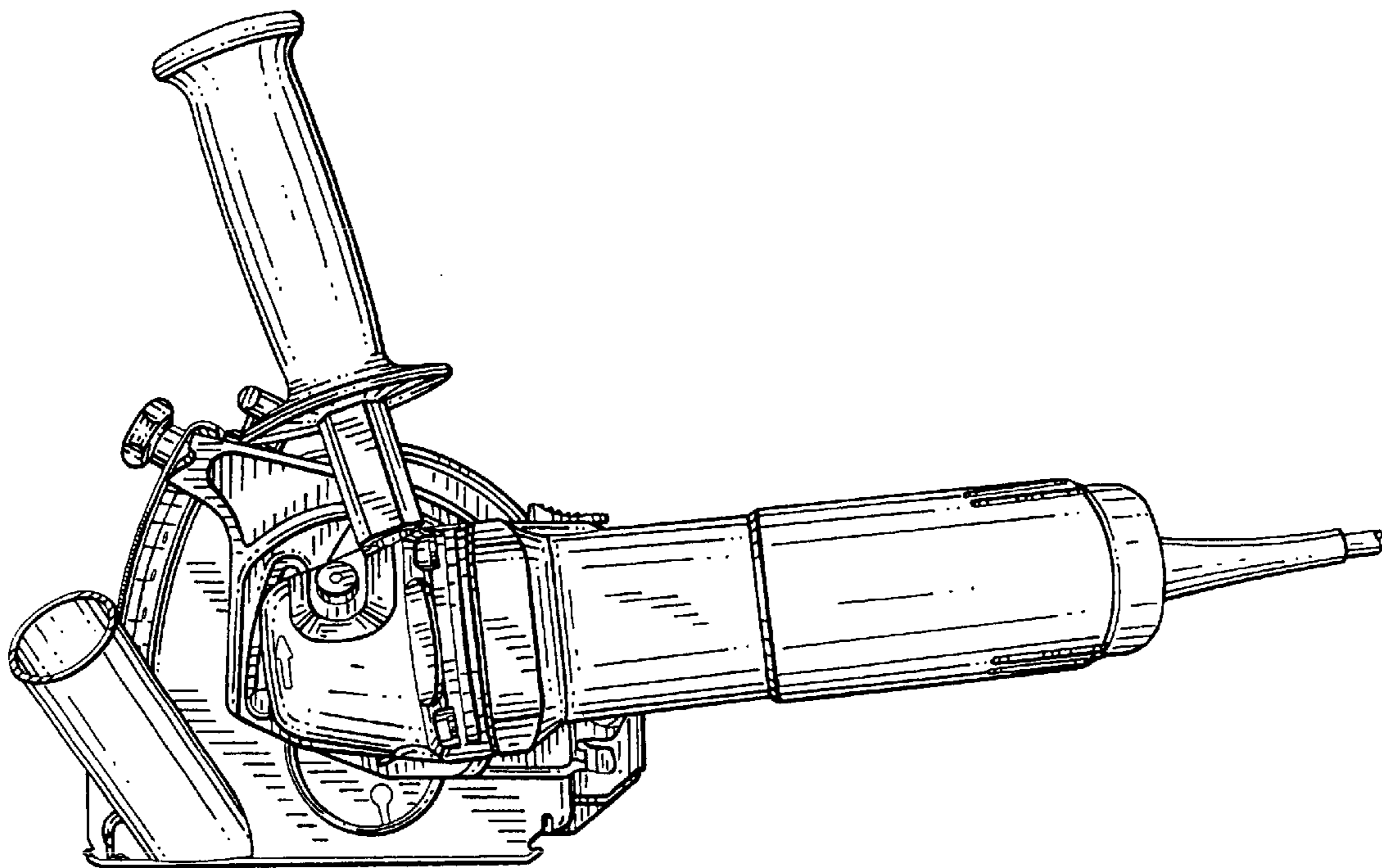


FIG. 10

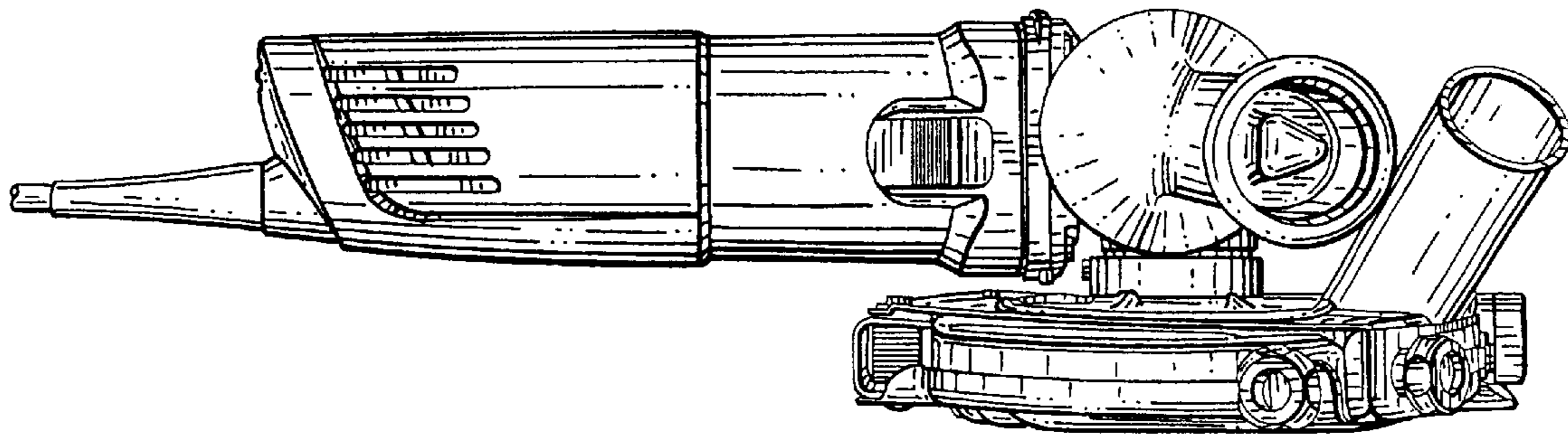


FIG. 11

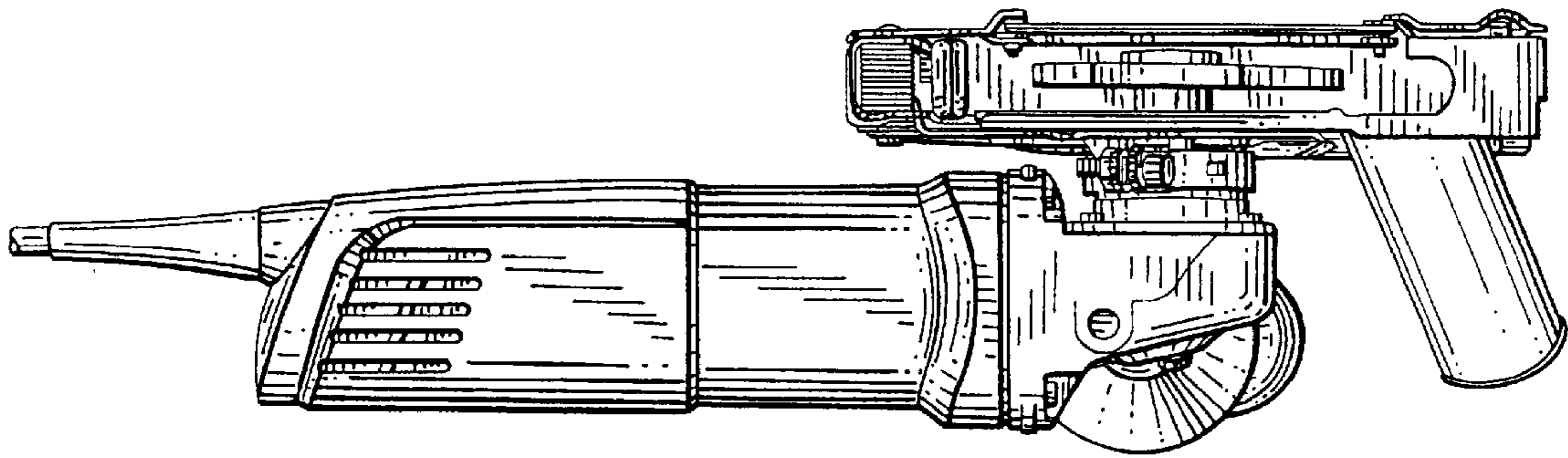


FIG. 12

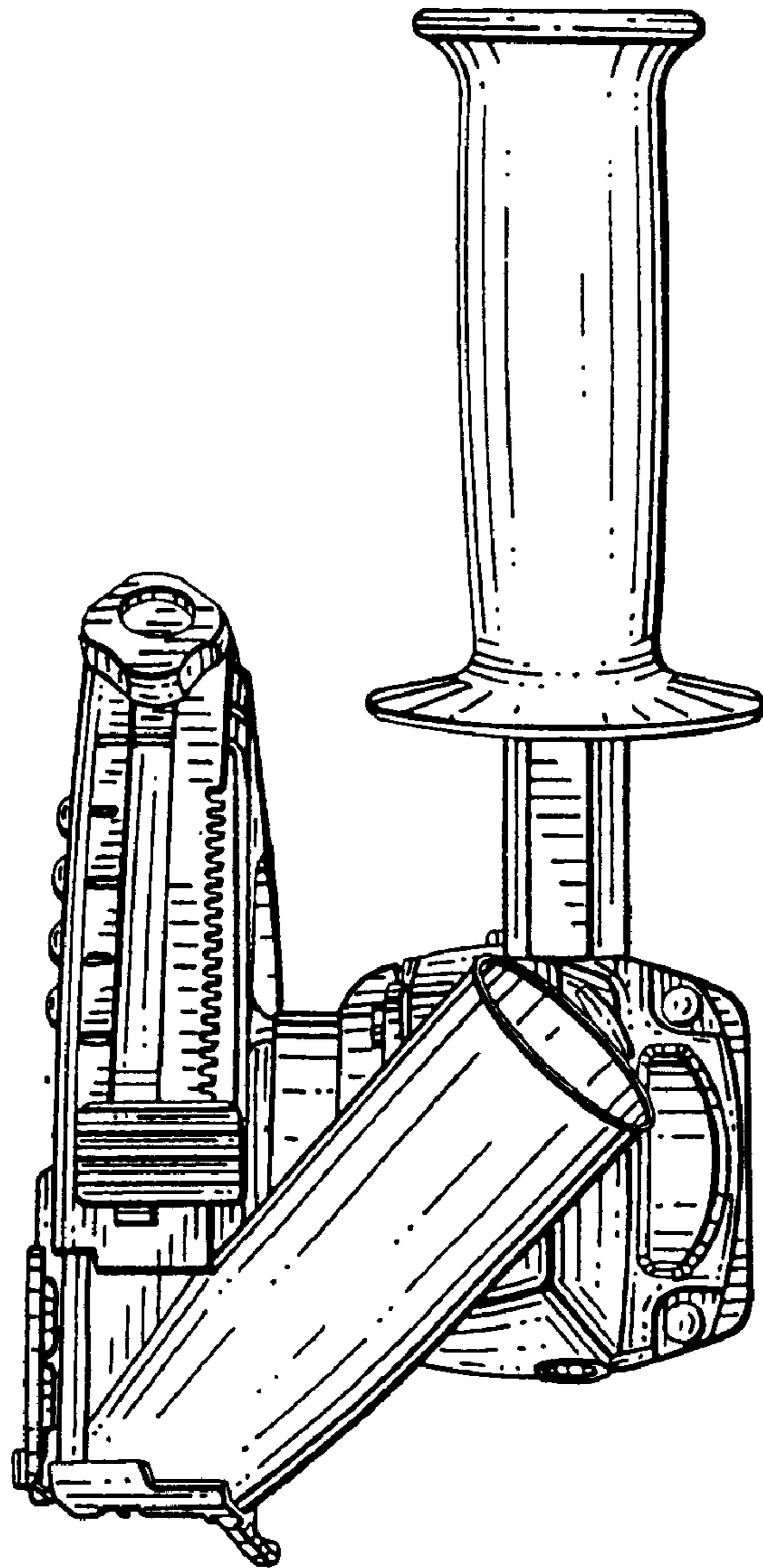
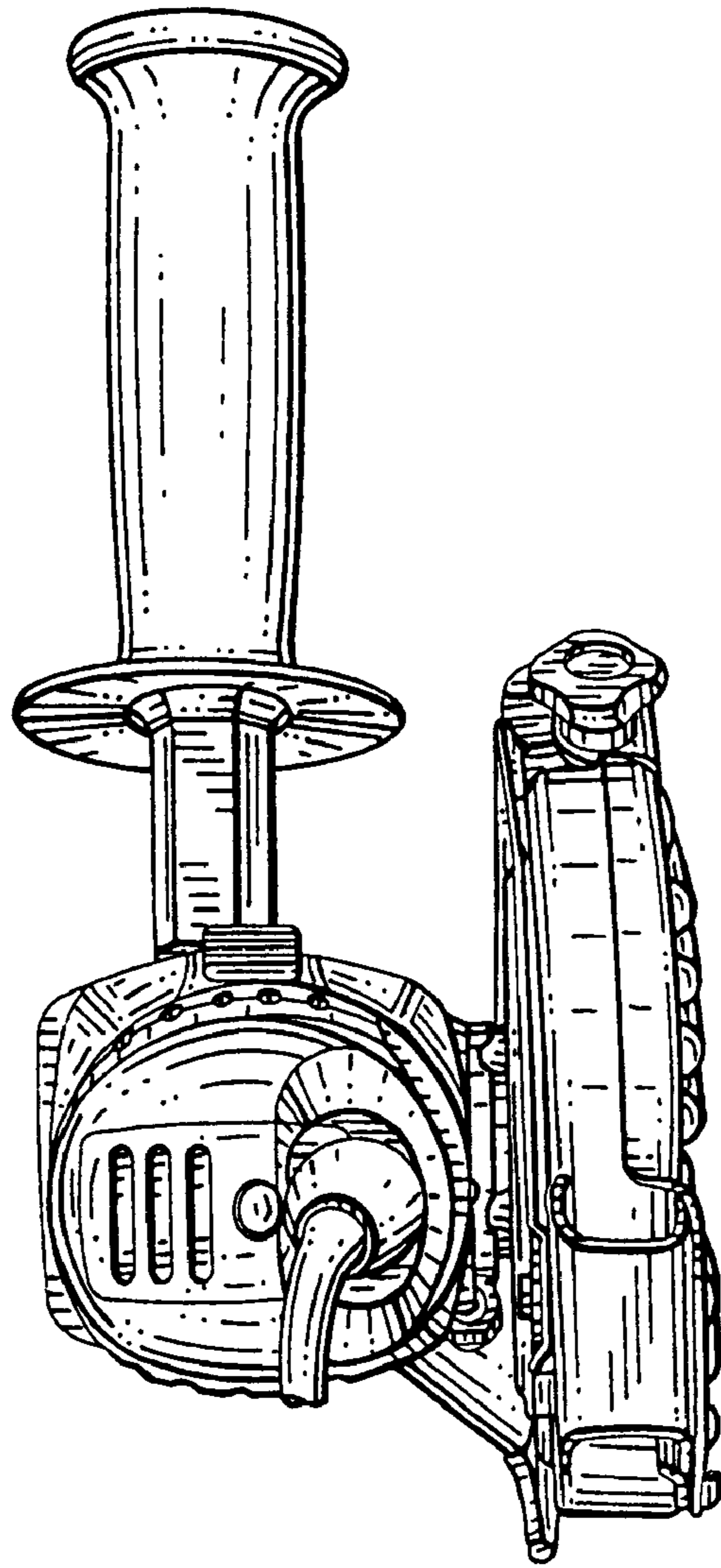


FIG. 13



*FIG. 14*