



US00D525095S

(12) **United States Design Patent**
Marcon

(10) **Patent No.:** **US D525,095 S**

(45) **Date of Patent:** **** Jul. 18, 2006**

(54) **CUTTING DEVICE**

(75) Inventor: **Lionel Marcon**, Montmorency (FR)

(73) Assignee: **Etablissements Pierre Grehal & Cie**,
Saint-Brice-sous-Foret (FR)

(**) Term: **14 Years**

(21) Appl. No.: **29/232,487**

(22) Filed: **Jun. 21, 2005**

(51) **LOC (8) Cl.** **08-05**

(52) **U.S. Cl.** **D8/51; D8/98**

(58) **Field of Classification Search** D8/51,
D8/98; D15/127; 83/383, 607, 602, 605,
83/584, 468.3

See application file for complete search history.

(56) **References Cited**

U.S. PATENT DOCUMENTS

2,563,741 A *	8/1951	Patton	83/136
3,393,595 A *	7/1968	Halverson et al.	83/580
5,010,795 A *	4/1991	Kania	83/607

5,038,477 A *	8/1991	Parrow	30/253
5,044,243 A *	9/1991	Aizawa	83/558
5,249,495 A *	10/1993	Renk	83/468.3
5,251,524 A *	10/1993	Clifford	83/383
D363,013 S *	10/1995	Hunter	D8/98

* cited by examiner

Primary Examiner—Philip S. Hyder

(74) *Attorney, Agent, or Firm*—Leydig, Voit & Mayer, Ltd.

(57) **CLAIM**

I claim the ornamental design for a cutting device, as shown and described.

DESCRIPTION

FIG. 1 is a perspective view of a cutting device according to our new design;

FIG. 2 is a front view thereof;

FIG. 3 is a rear view thereof;

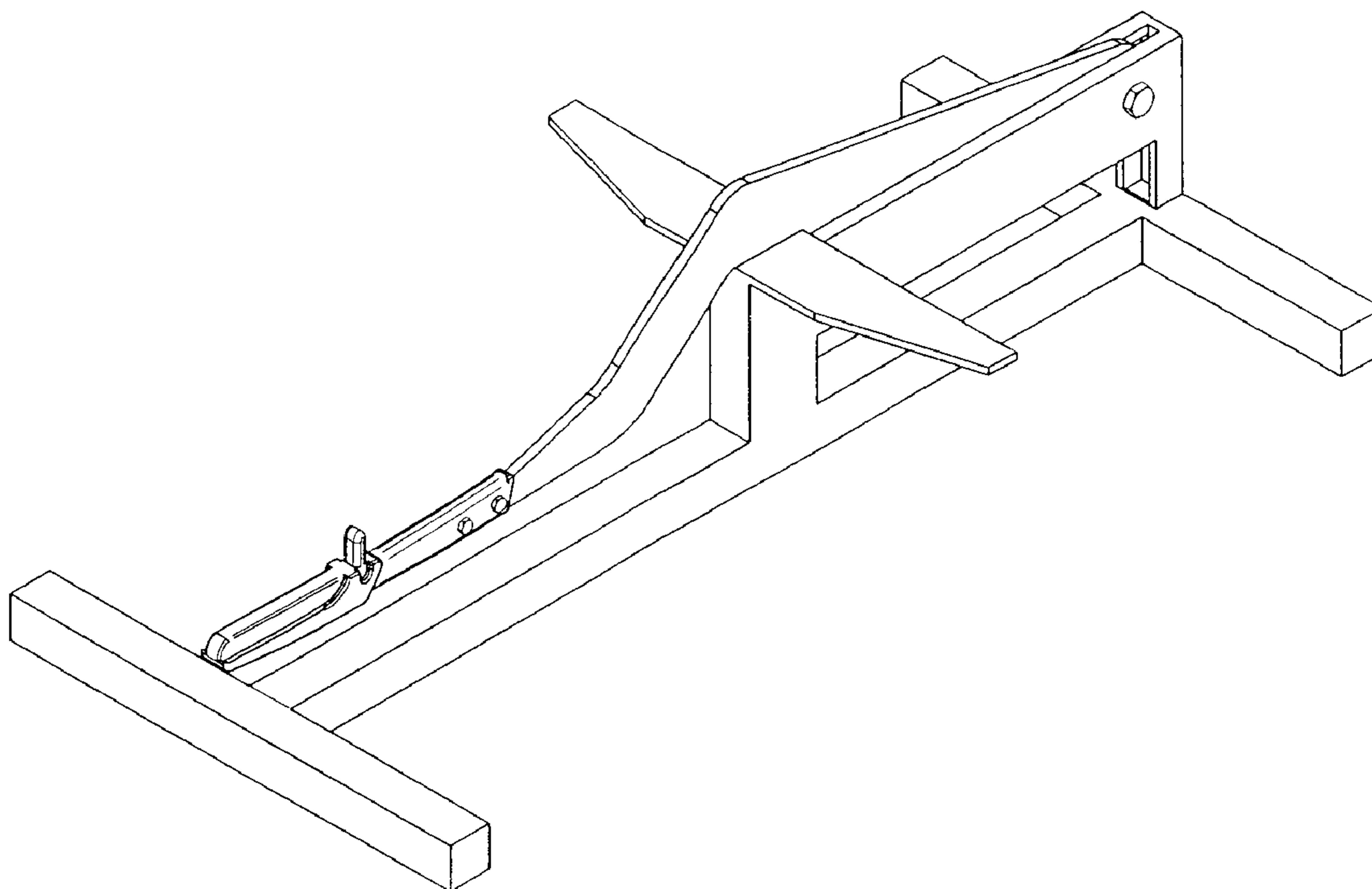
FIG. 4 is a left side view thereof;

FIG. 5 is a right side view thereof;

FIG. 6 is a bottom view thereof; and,

FIG. 7 is a top view thereof.

1 Claim, 4 Drawing Sheets



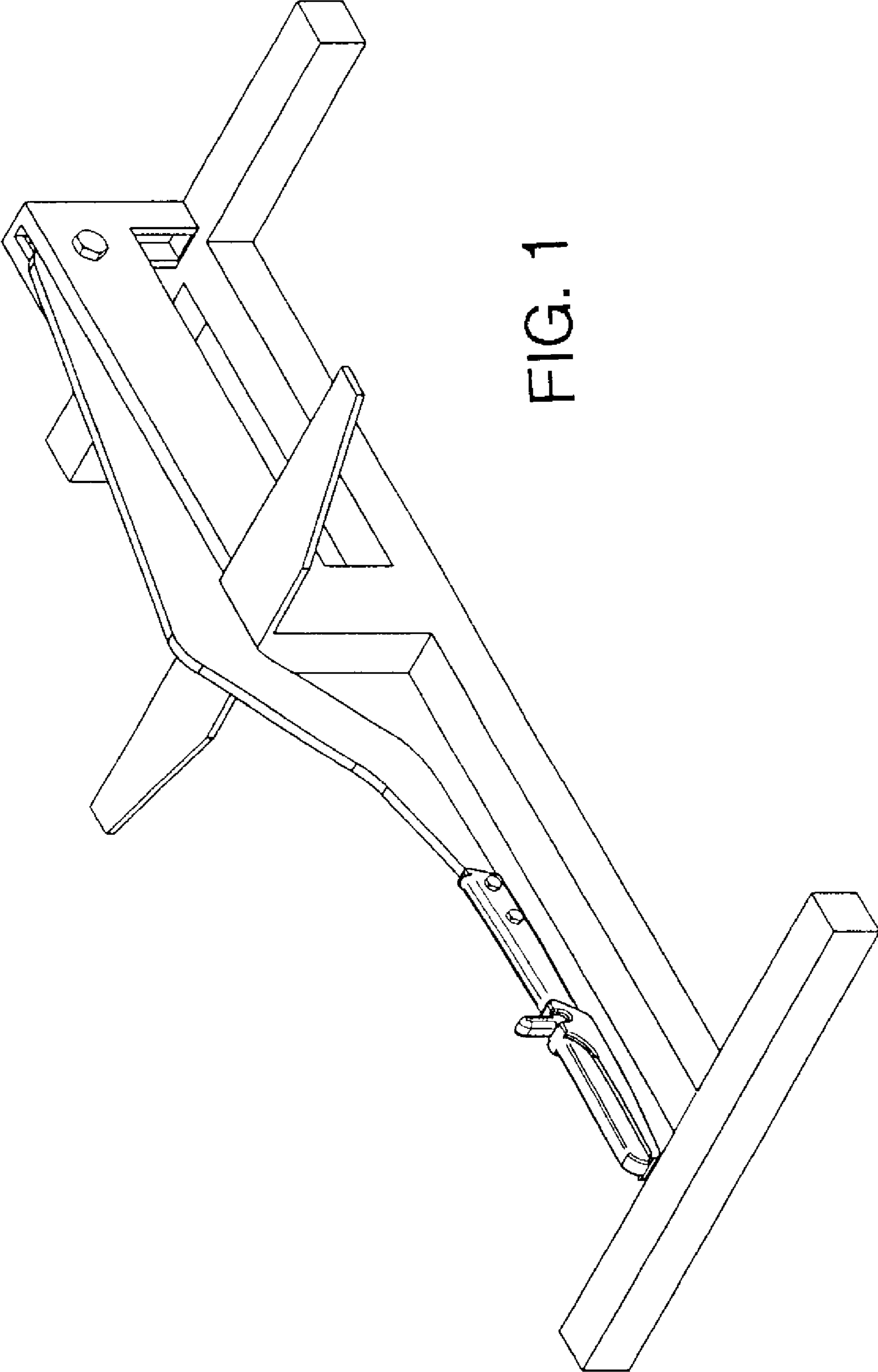
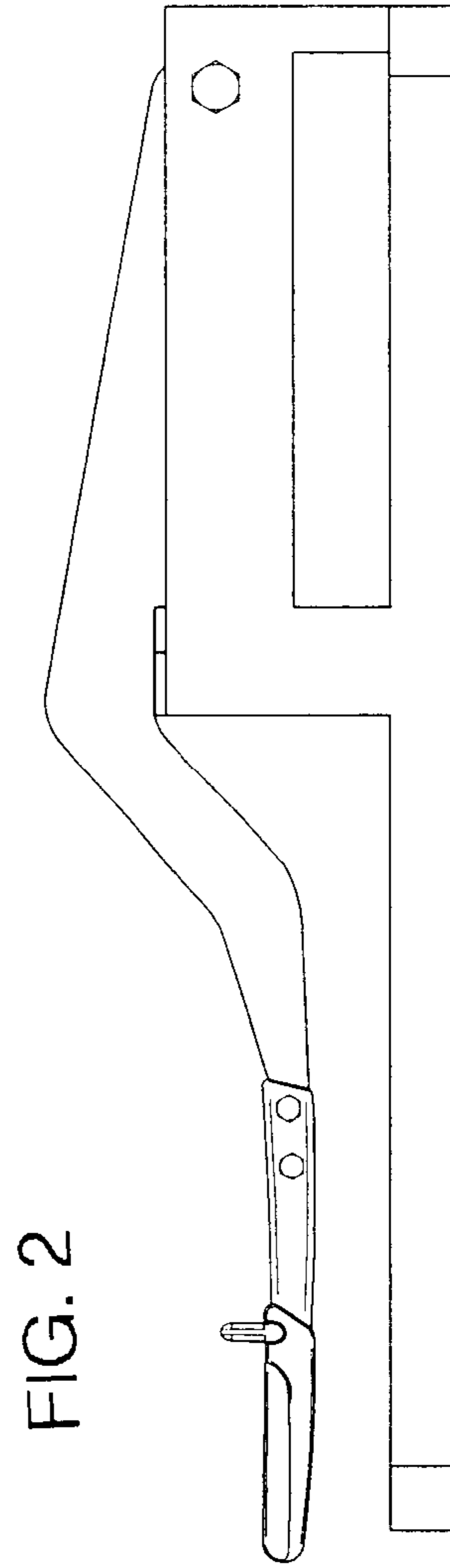
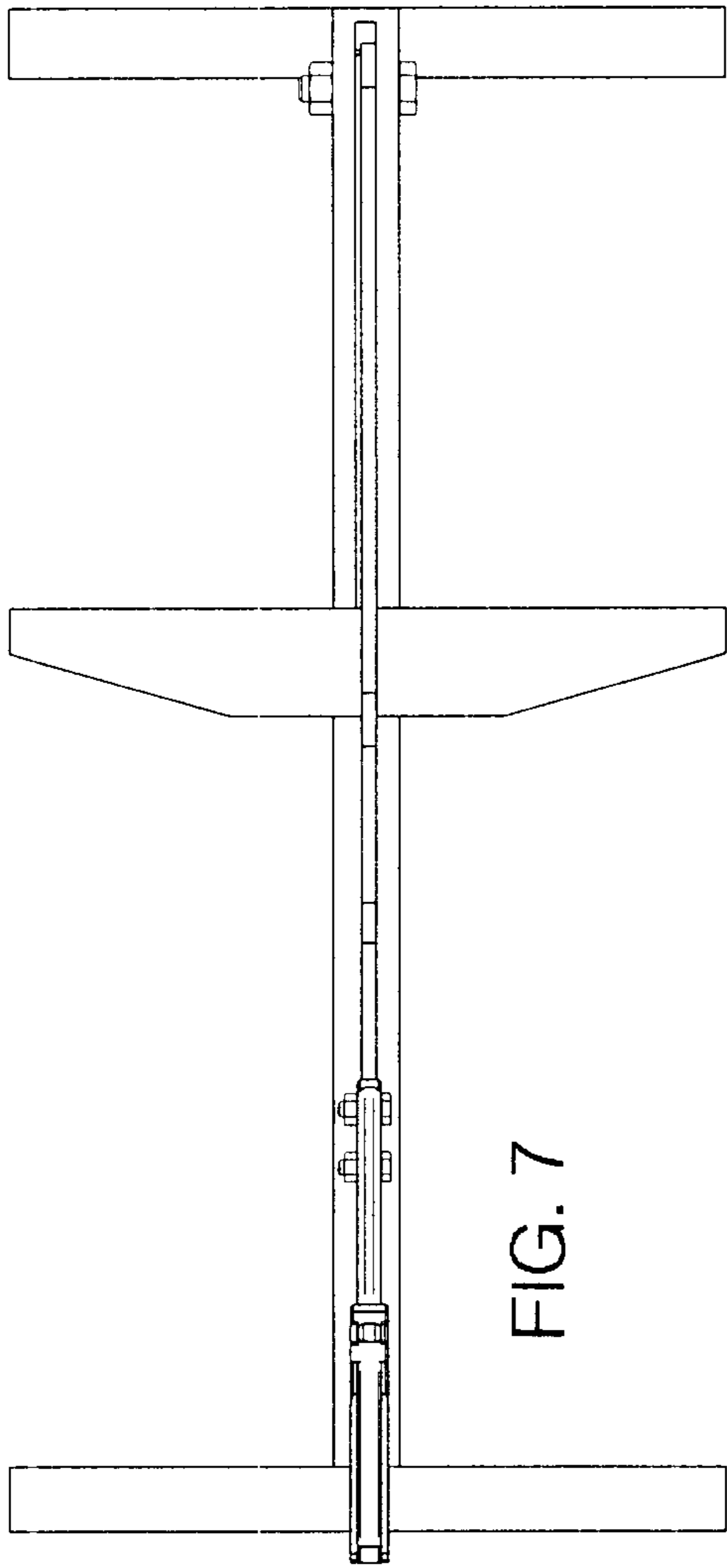
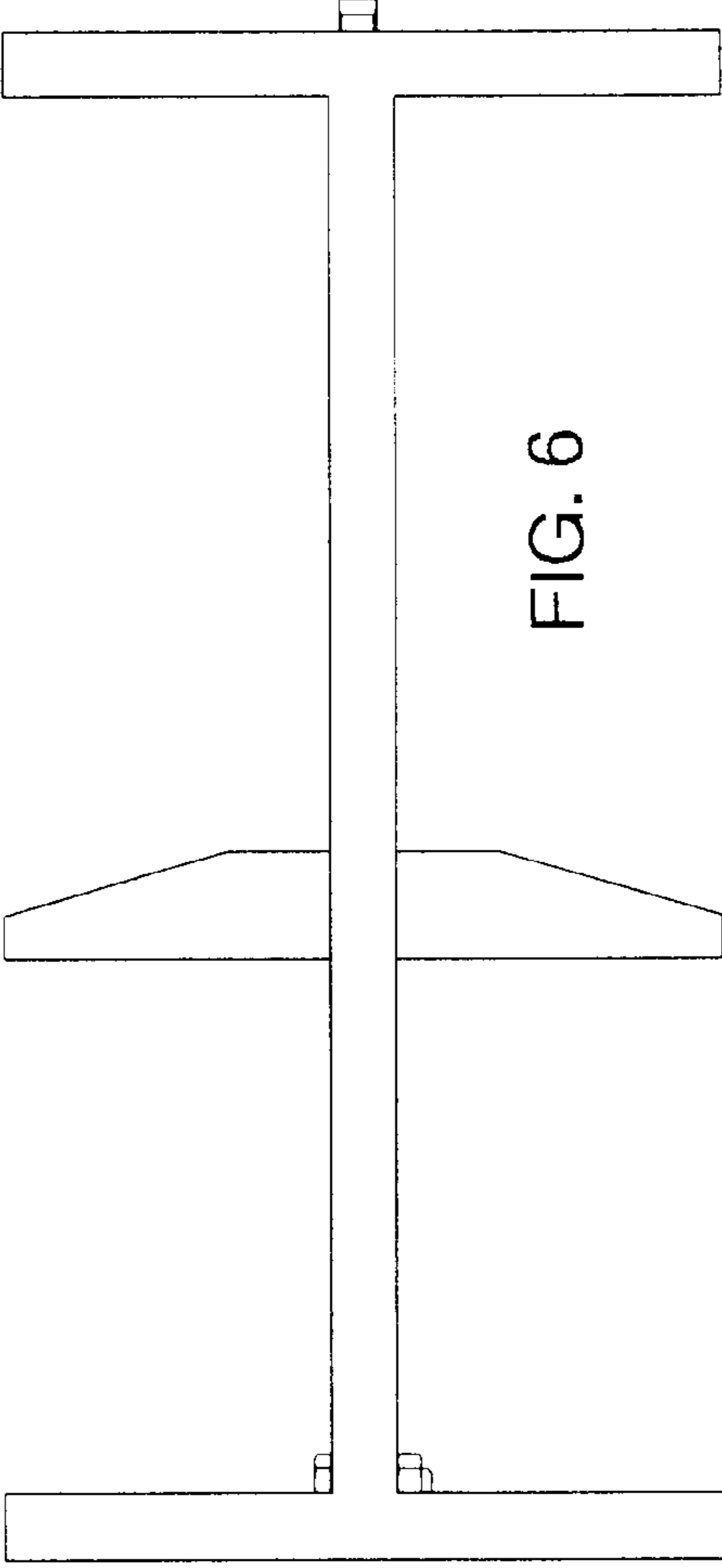
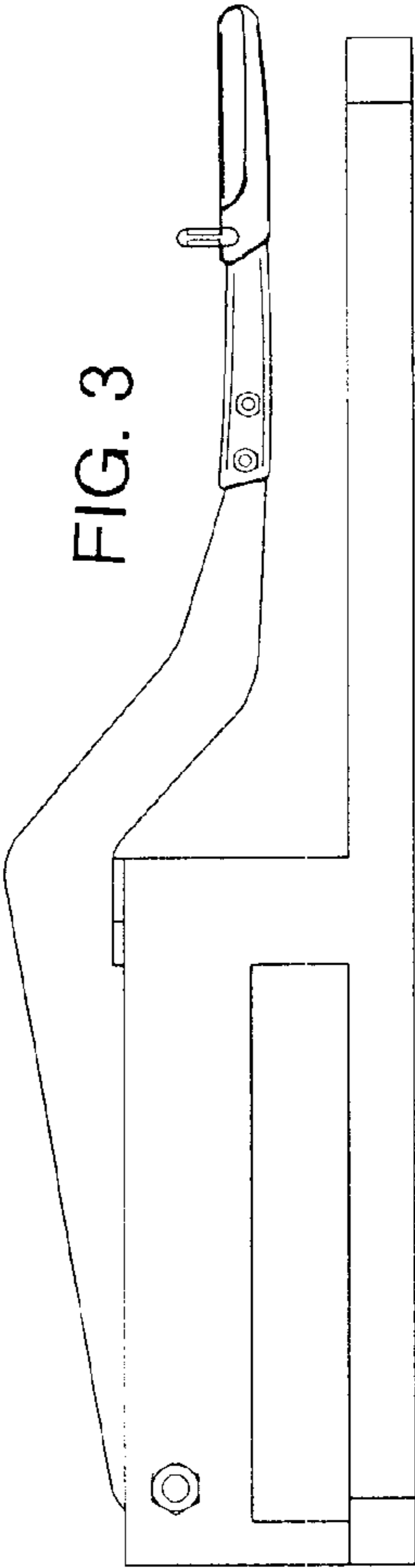


FIG. 1





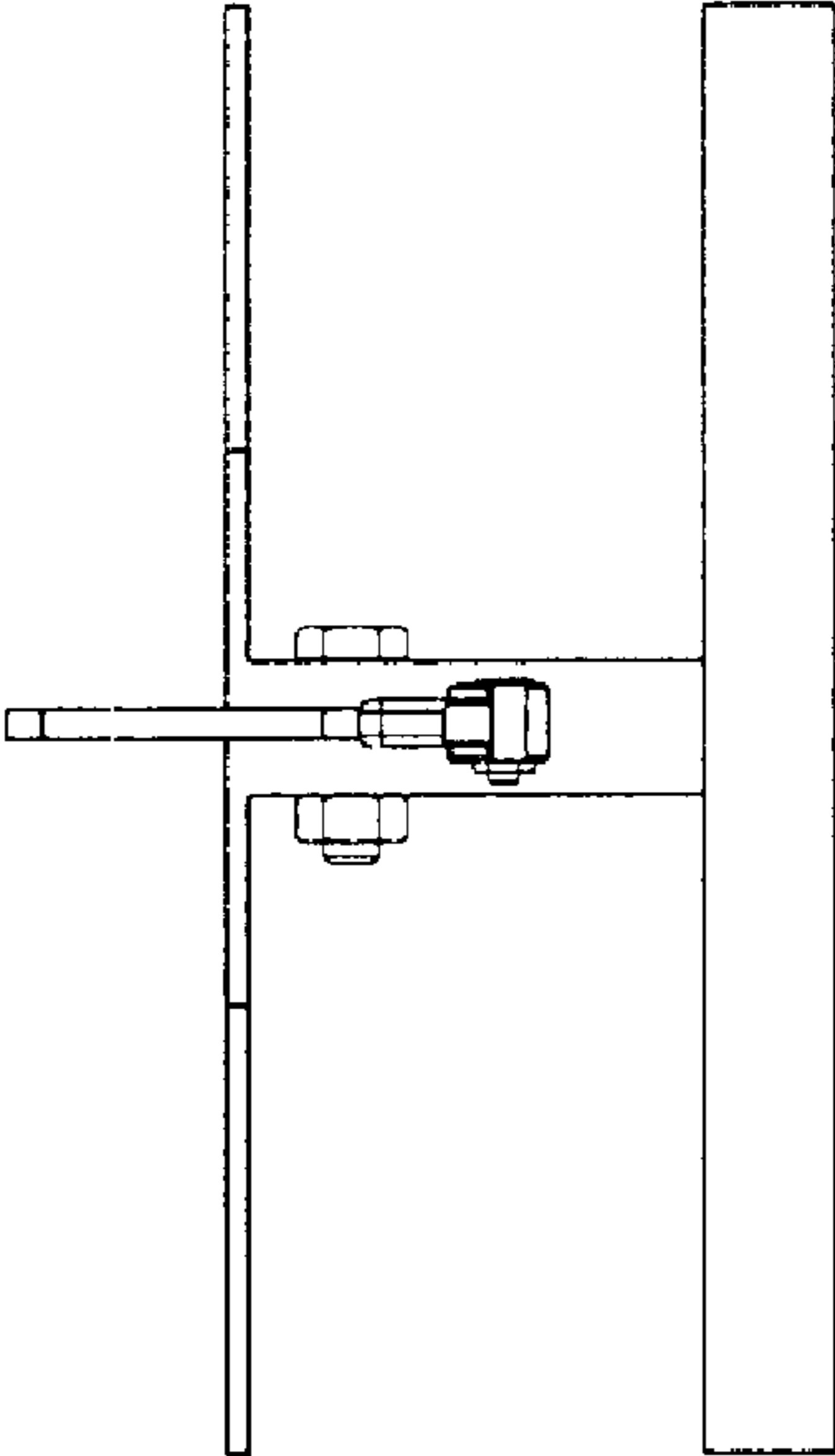


FIG. 4

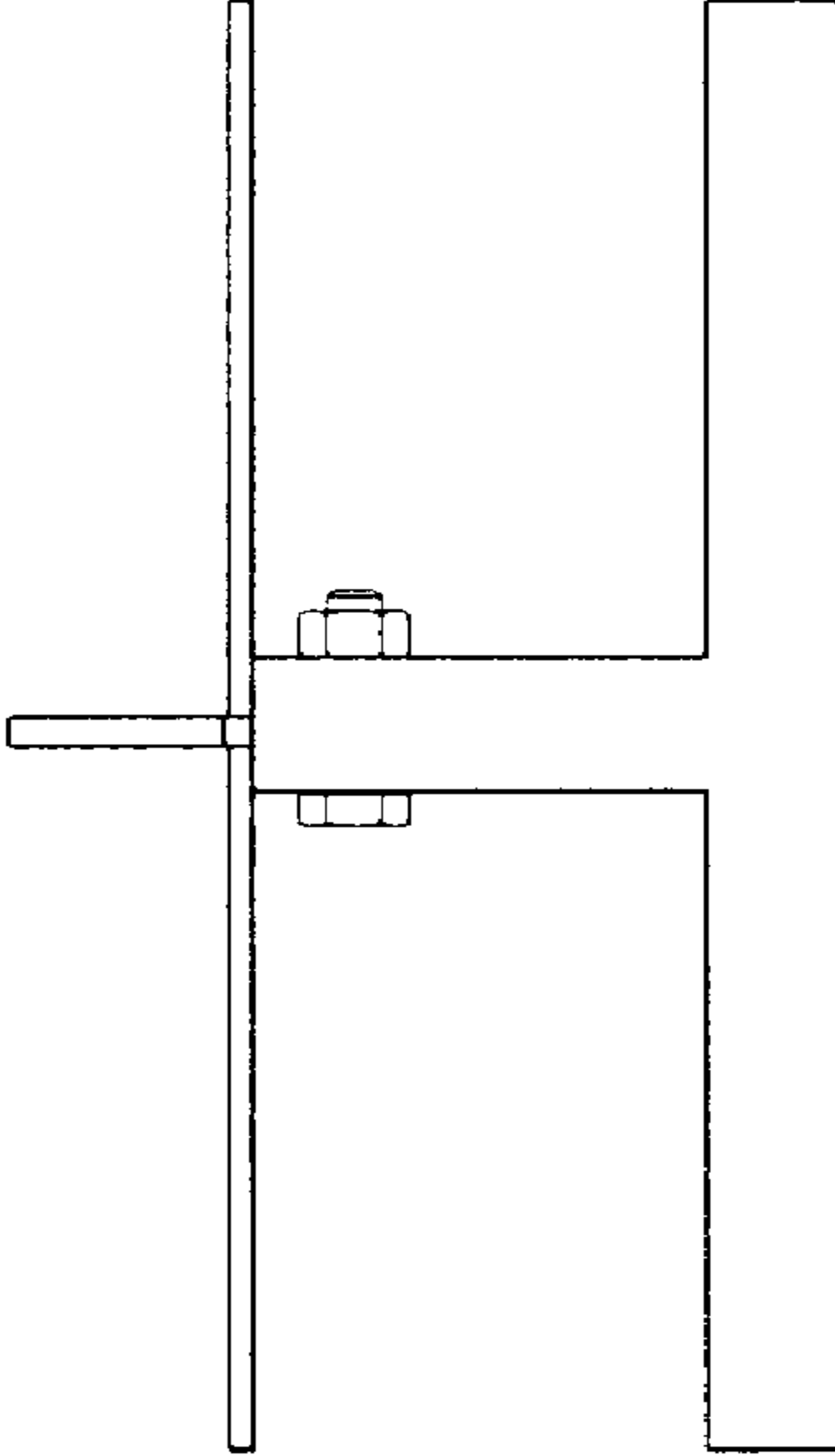


FIG. 5