



US00D525093S

(12) **United States Design Patent**
Noonan et al.

(10) **Patent No.:** **US D525,093 S**
(45) **Date of Patent:** **** Jul. 18, 2006**

(54) **WHEELED SHOVEL**
(75) Inventors: **Mark Noonan**, New Canaan, CT (US);
Robert Humphries, Danbury, CT (US)
(73) Assignee: **Snow Solutions LLC**, New Canaan, CT (US)

4,865,373 A 9/1989 Hudson
D314,318 S * 2/1991 Uimonen D8/10
5,048,206 A 9/1991 Jones
5,054,278 A 10/1991 Thorndike

(Continued)

FOREIGN PATENT DOCUMENTS

(**) Term: **14 Years**
(21) Appl. No.: **29/240,980**
(22) Filed: **Oct. 20, 2005**

CA 2501109 3/2005
CN 200510059163.8 3/2005
EP 1 580 322 3/2005
JP 2005-087306 3/2005
WO PCT/US2005/009347 3/2005

OTHER PUBLICATIONS

(51) **LOC (8) Cl.** **08-01**
(52) **U.S. Cl.** **D8/10**
(58) **Field of Classification Search** D8/10;
294/53.5, 54.5; 37/265
See application file for complete search history.

U.S. Appl. No. 29,234,046, filed Jul. 13, 2005, Noonan et al., pending.
Field Corn Planter, http://etc.usf.edu.clipart/4200/4213/planter_5.htm, Mar. 11, 2005, 2 pages.

Primary Examiner—Holly H. Baynham
(74) *Attorney, Agent, or Firm*—Harness, Dickey & Pierce, P.L.C.

(56) **References Cited**

U.S. PATENT DOCUMENTS

328,633 A 10/1885 Angell
1,514,076 A 11/1924 Brown
1,683,732 A 9/1928 Selin
2,470,217 A 5/1949 McLoughlin
2,520,606 A 8/1950 McLoughlin
2,863,232 A 12/1958 Steinbach et al.
2,867,827 A 1/1959 Gantz
2,930,252 A 3/1960 Pipkin
3,107,446 A 10/1963 Messinger
3,136,574 A 6/1964 Pasquale
3,468,041 A 9/1969 Mattson et al.
3,469,326 A 9/1969 Malickson
3,475,838 A 11/1969 Hagen et al.
3,643,356 A 2/1972 Gohl
3,748,761 A 7/1973 Chetwynde
3,751,058 A * 8/1973 Larsen 280/30
4,153,287 A 5/1979 Townsend
4,161,073 A * 7/1979 Oakes 37/265
4,179,828 A 12/1979 Brunty
4,214,385 A 7/1980 Baranowski et al.
4,224,751 A 9/1980 Schoemann et al.
4,231,604 A 11/1980 Obergfell
4,690,447 A 9/1987 Adams
4,704,758 A 11/1987 Hoffman

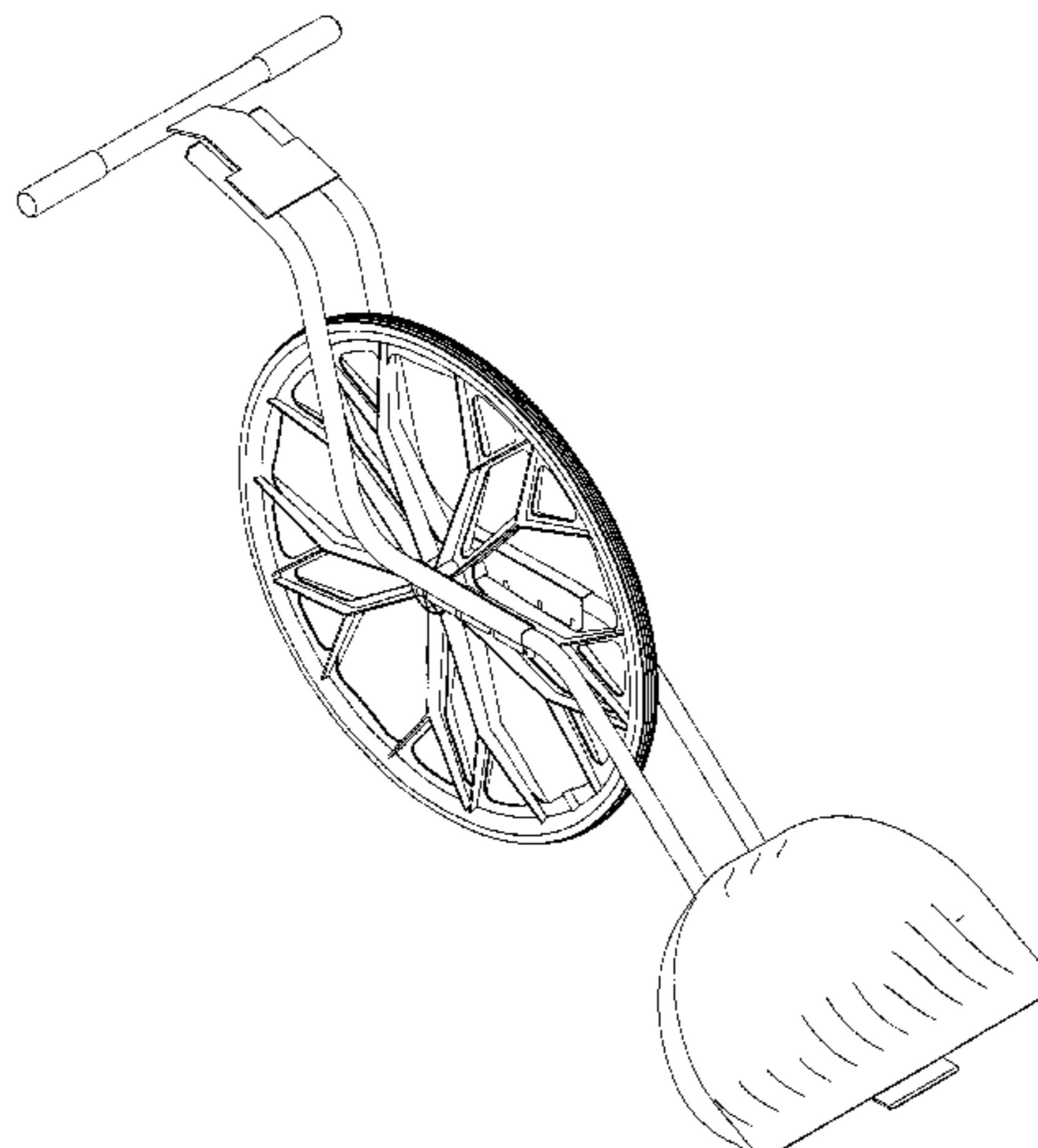
(57) **CLAIM**

The ornamental design for a wheeled shovel, as shown and described.

DESCRIPTION

FIG. 1 is an upper perspective view of the wheeled shove, showing our new design;
FIG. 2 is another upper perspective view of the wheeled shovel thereof;
FIG. 3 is a lower perspective view thereof;
FIG. 4 is another lower perspective view thereof;
FIG. 5 isa top plan view thereof;
FIG. 6 is a bottom plan view thereof;
FIG. 7 is a front elevaton view thereof;
FIG. 8 is a rear elevation view thereof;
FIG. 9 is a right elevation view thereof; and,
FIG. 10 is a left elevation view thereof.
The details shown in broken lines are for illustrative purposes only and form no part of the claimed design.

1 Claim, 10 Drawing Sheets



US D525,093 S

Page 2

U.S. PATENT DOCUMENTS					
			D415,663 S	*	10/1999 Whitehead et al. D8/10
			6,334,640 B1		1/2002 Werner et al.
			D459,641 S	*	7/2002 Guneyasu D8/10
			6,474,007 B1		11/2002 Sueshige et al.
			6,643,958 B1		11/2003 Krejci
			6,675,507 B1		1/2004 Petruzzelli
			6,735,887 B1		5/2004 Muzzammel
			6,922,920 B1	*	8/2005 Stratz 37/197
			2005/0160633 A1		7/2005 Noonan
			* cited by examiner		
5,074,064 A	12/1991	Nickels			
5,117,530 A	6/1992	Rank			
5,123,187 A	6/1992	Zamaria			
5,511,327 A	4/1996	Jurkowski et al.			
D375,235 S	* 11/1996	Spear et al.	D8/10		
5,581,915 A	12/1996	Lobato			
5,727,799 A	3/1998	DiSario			
5,810,408 A	9/1998	Armstrong			
5,918,921 A	7/1999	Samuelson			

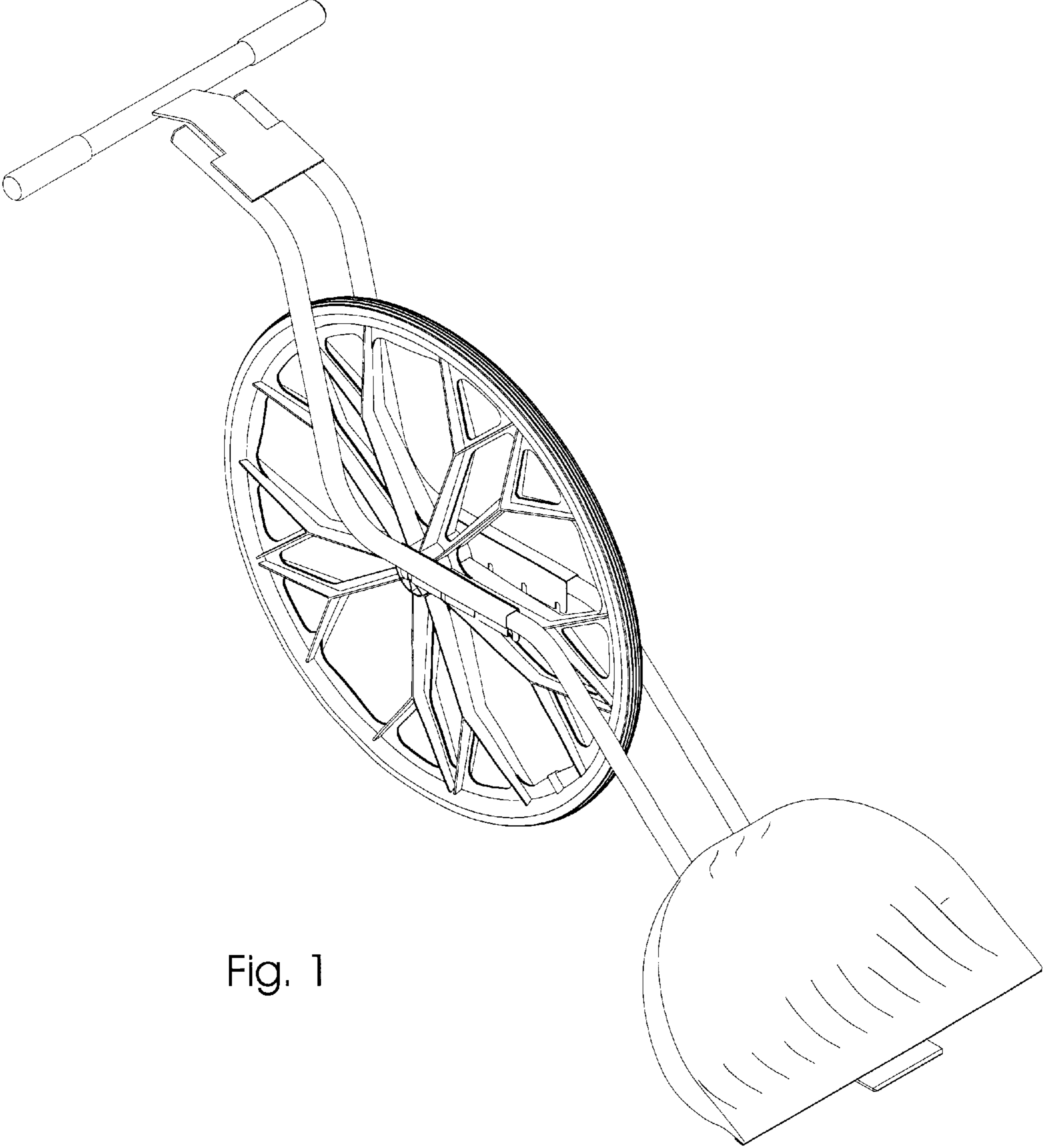


Fig. 1

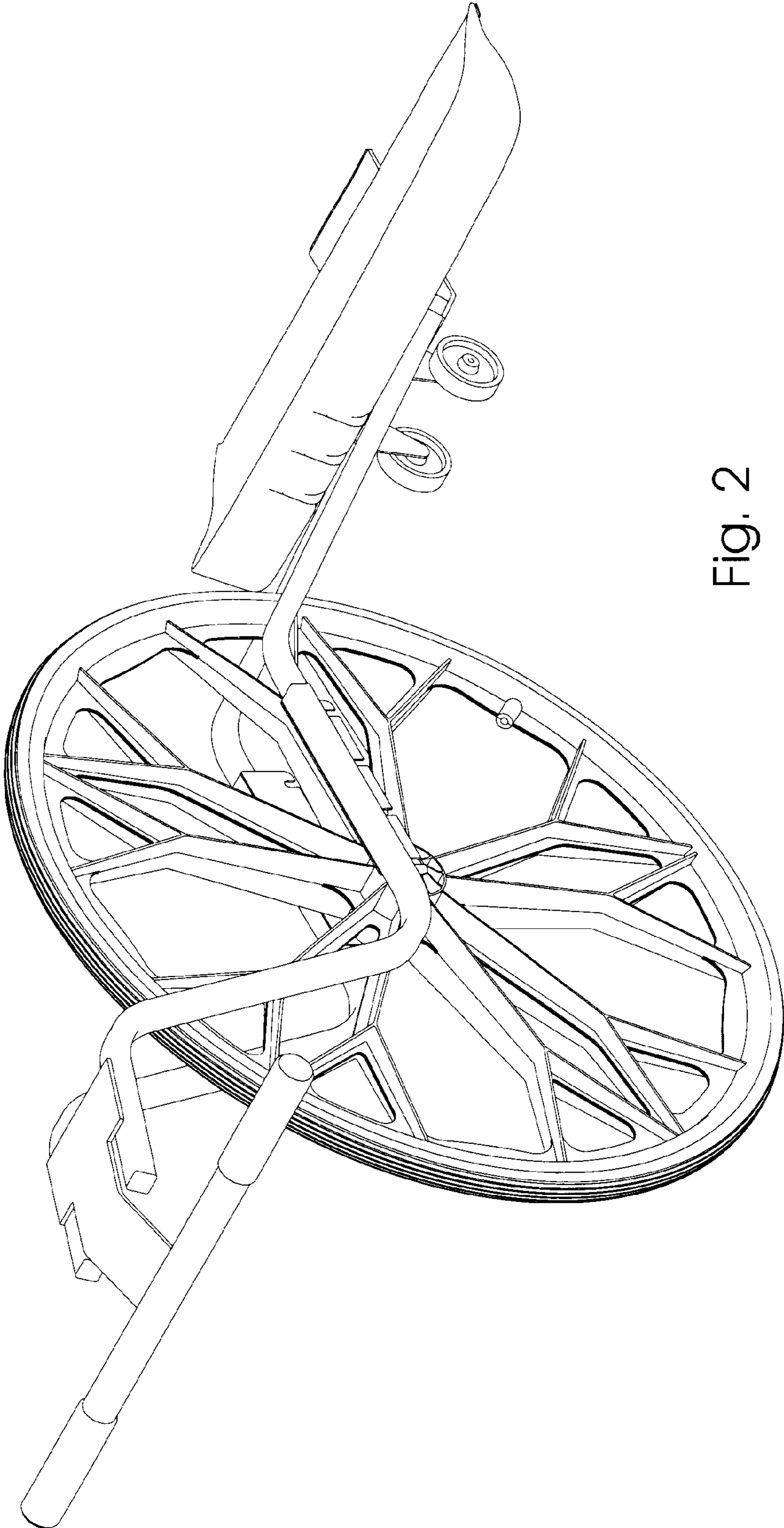


Fig. 2

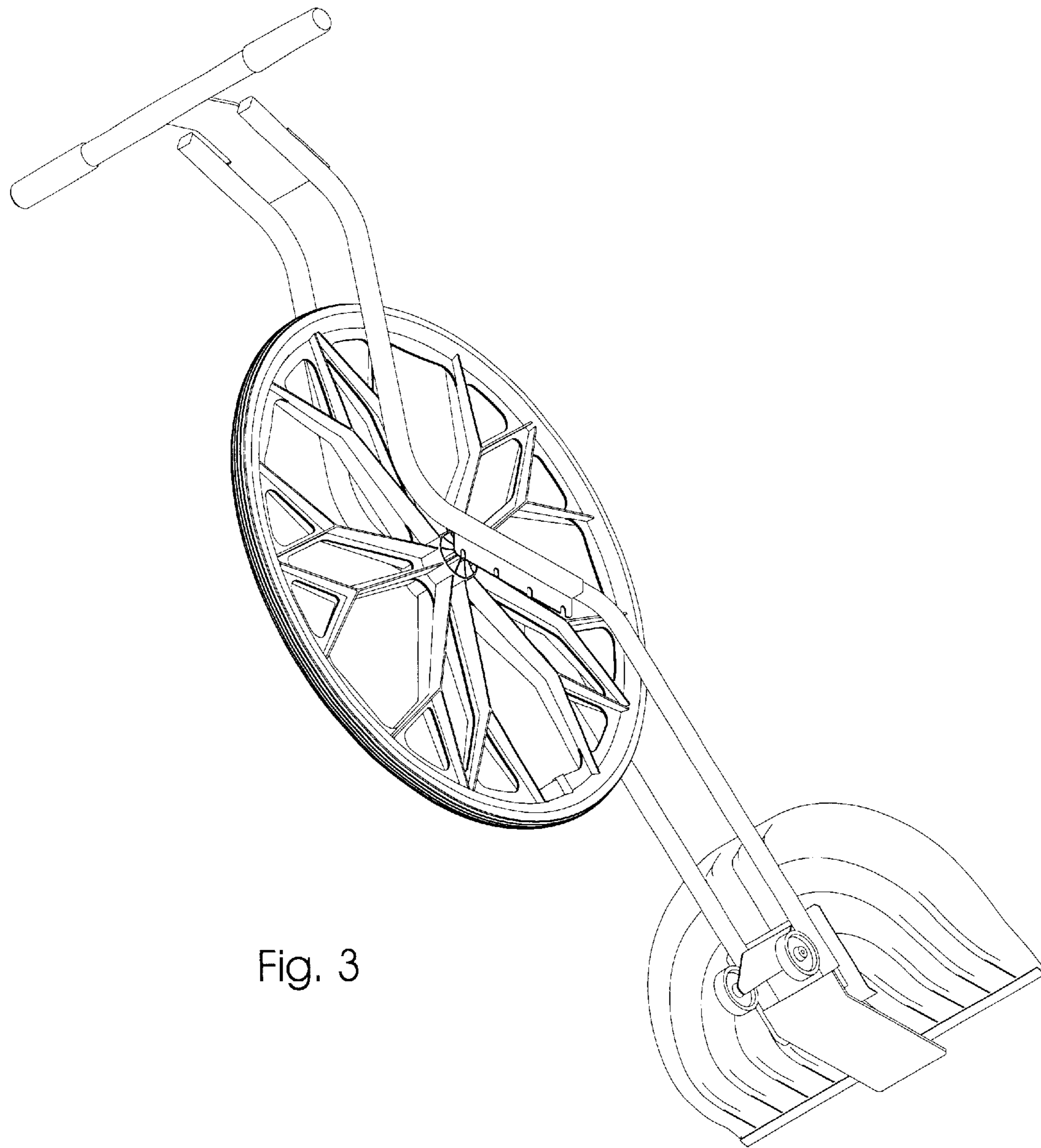


Fig. 3

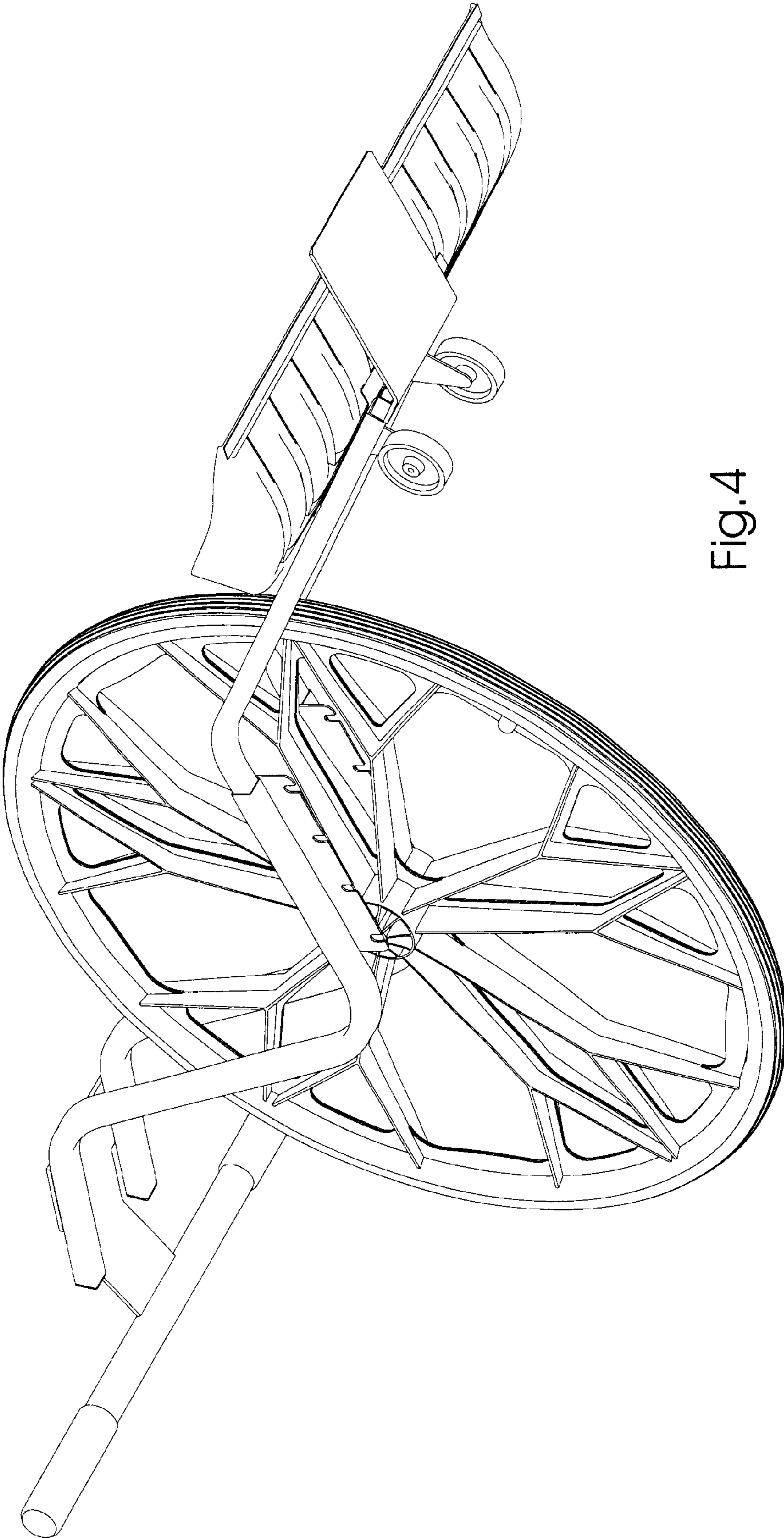


Fig.4

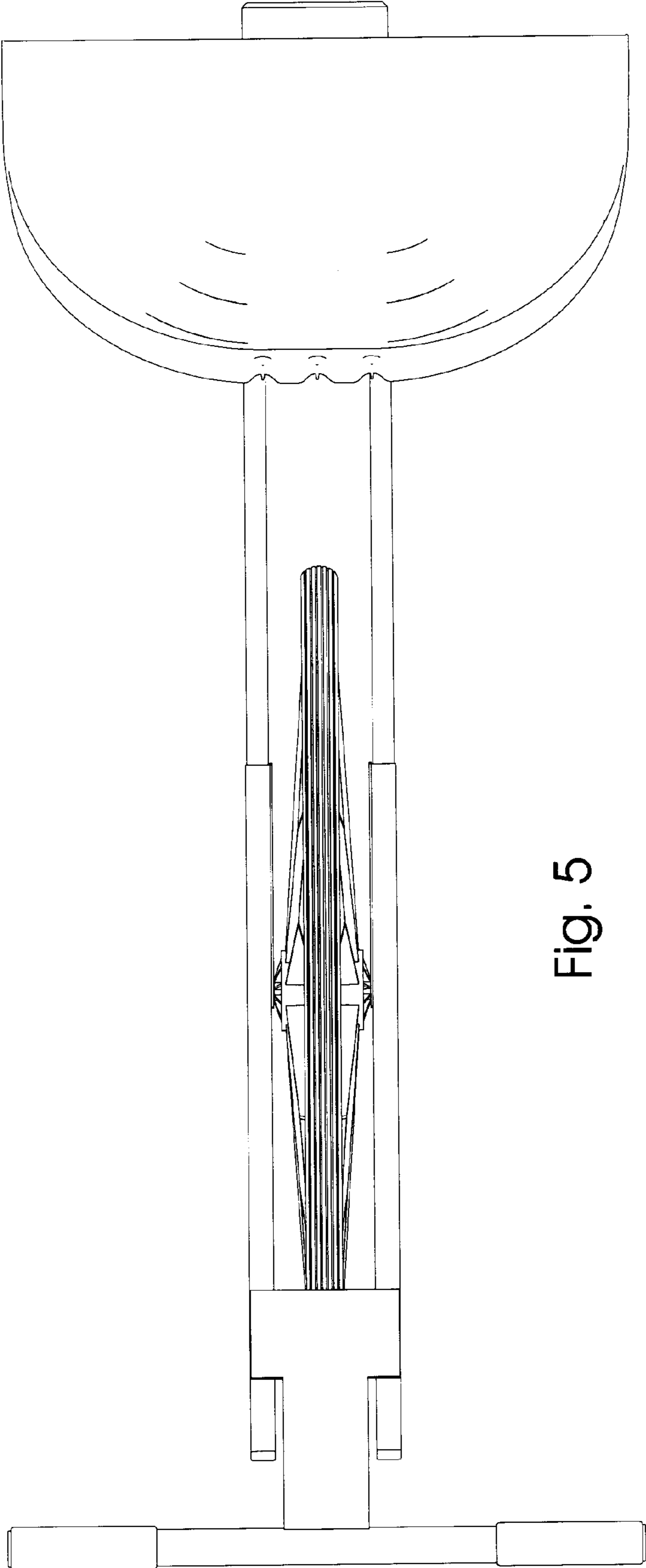


Fig. 5

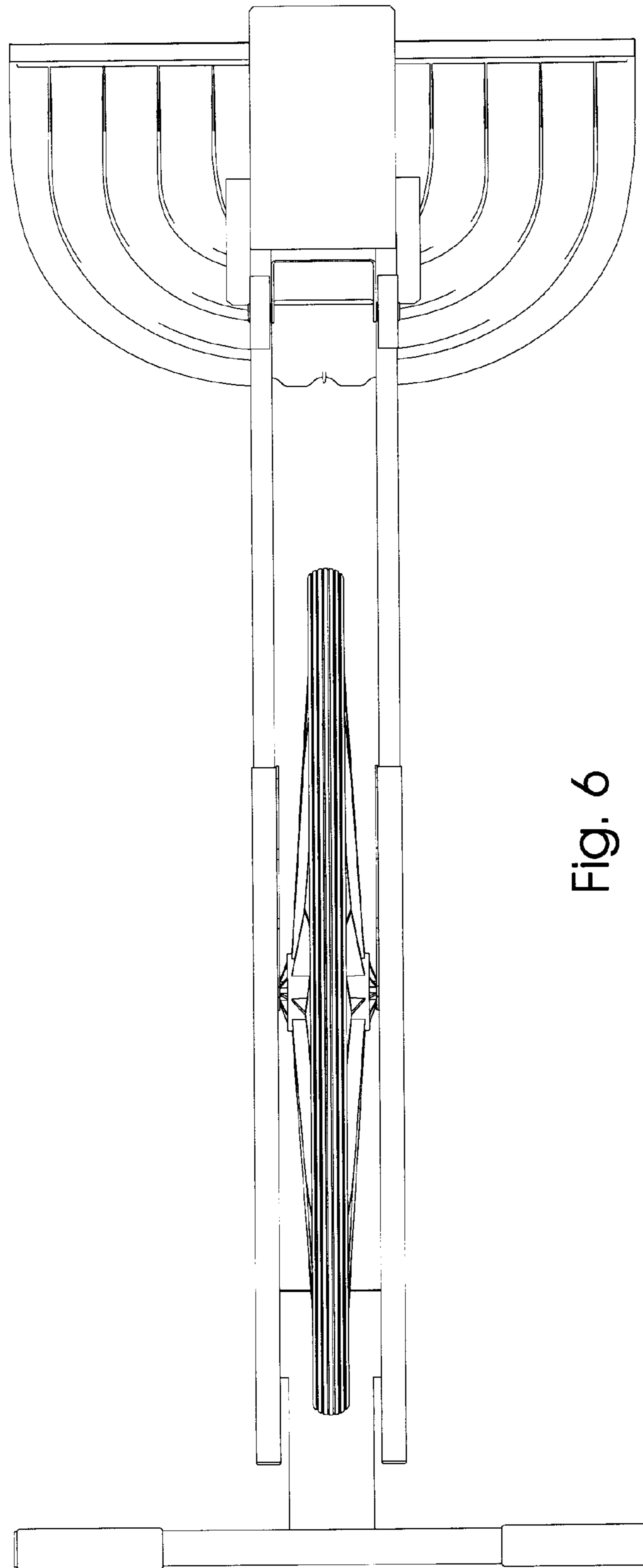


Fig. 6

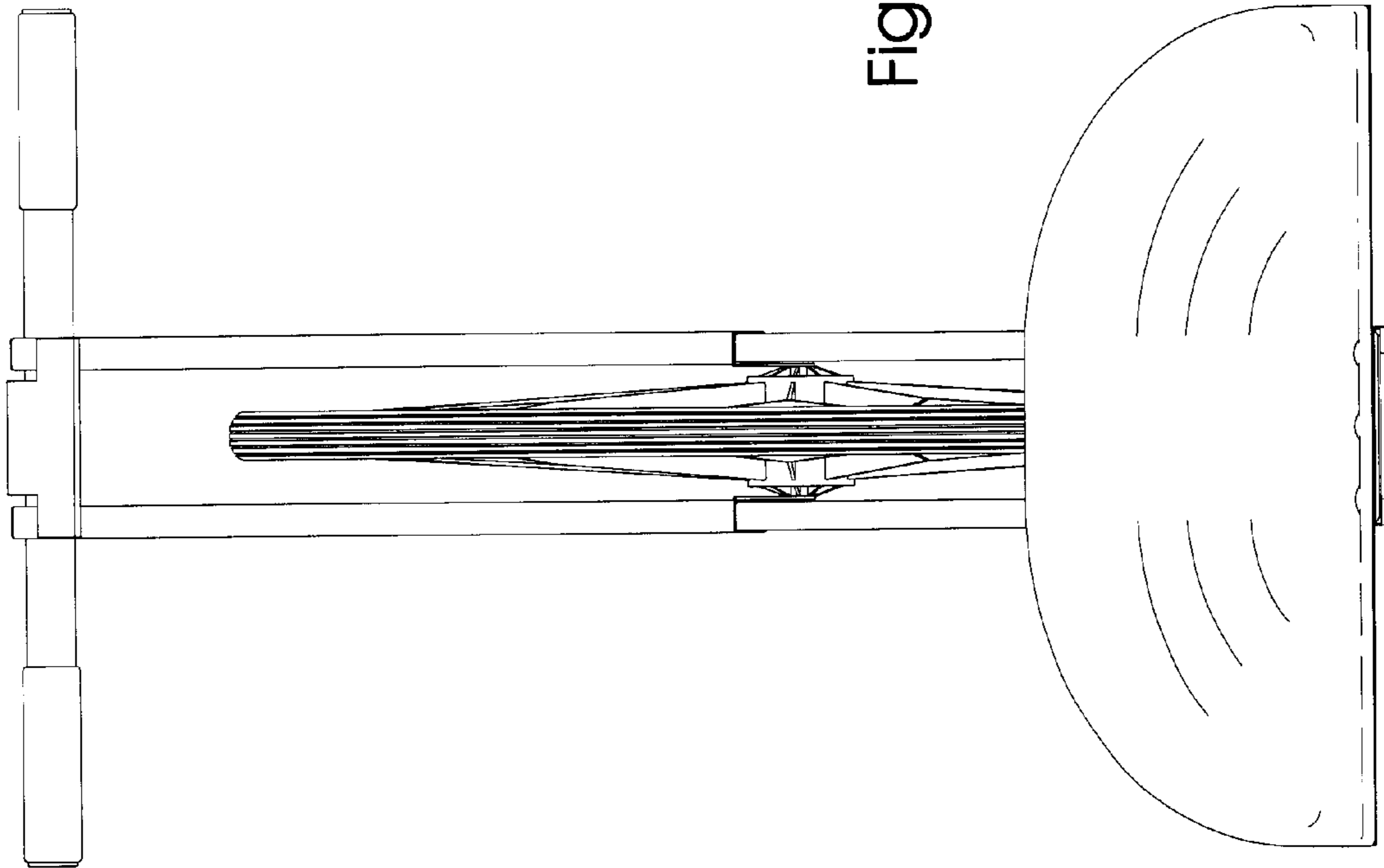


Fig. 7

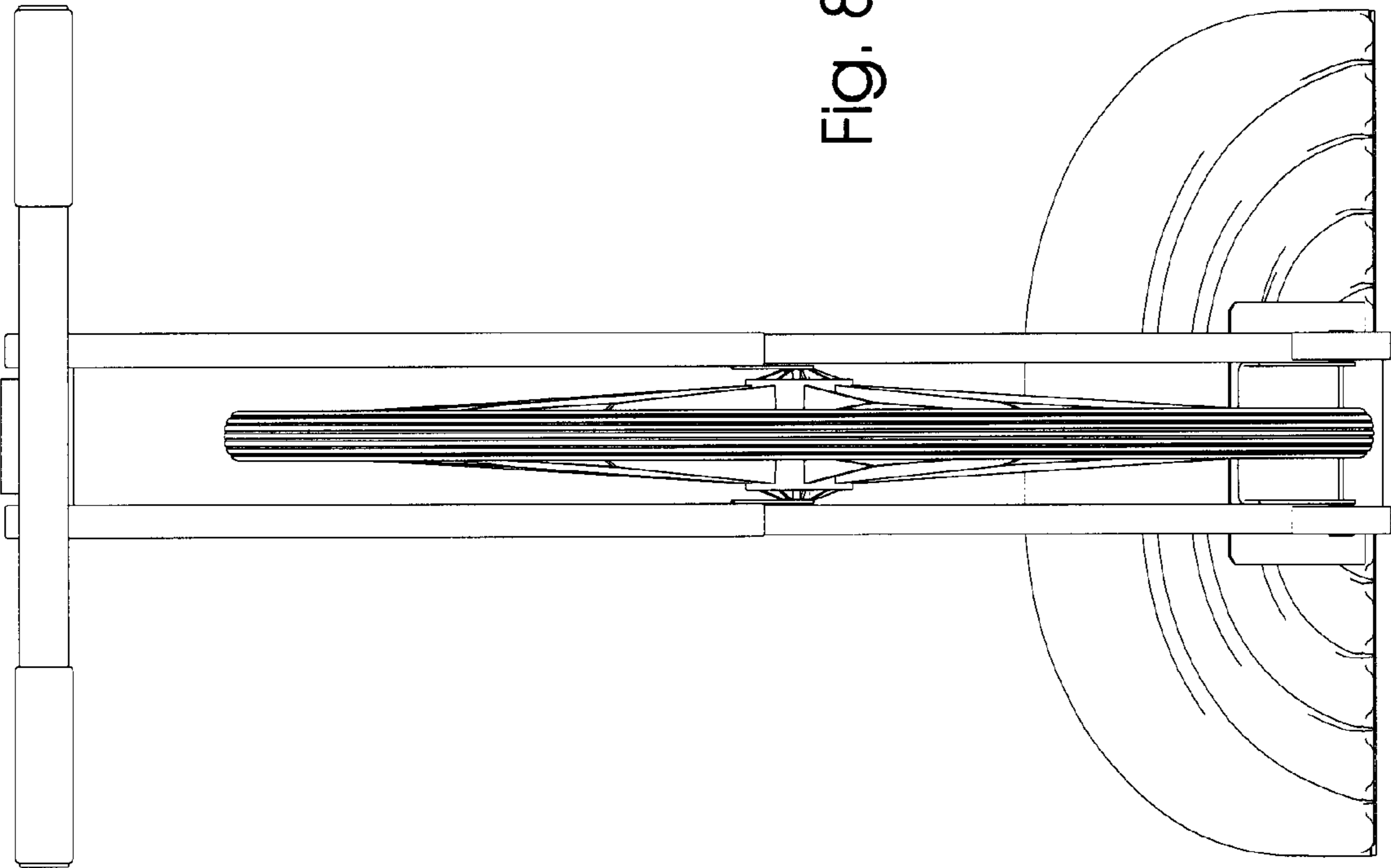


Fig. 8

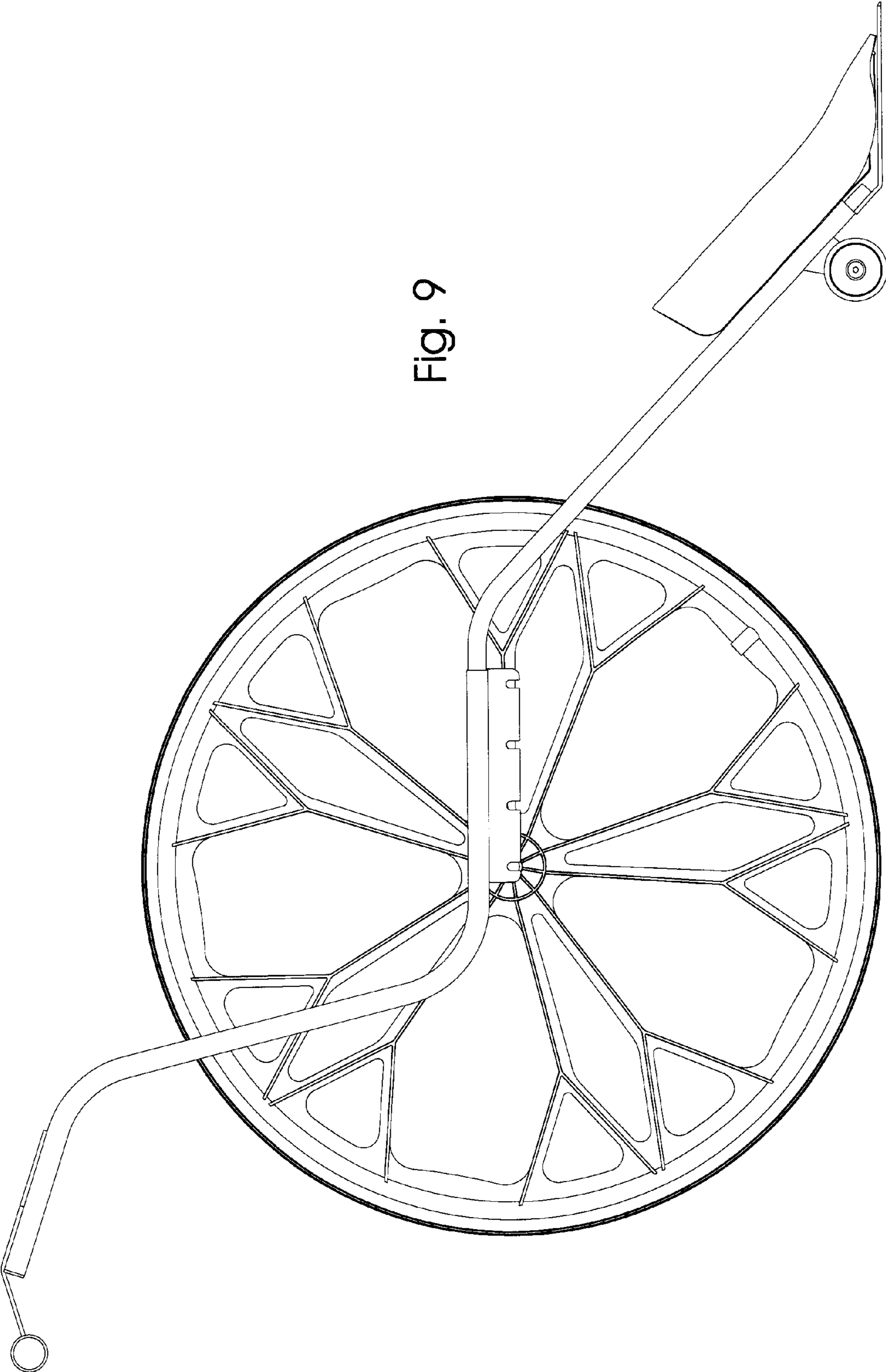


Fig. 9

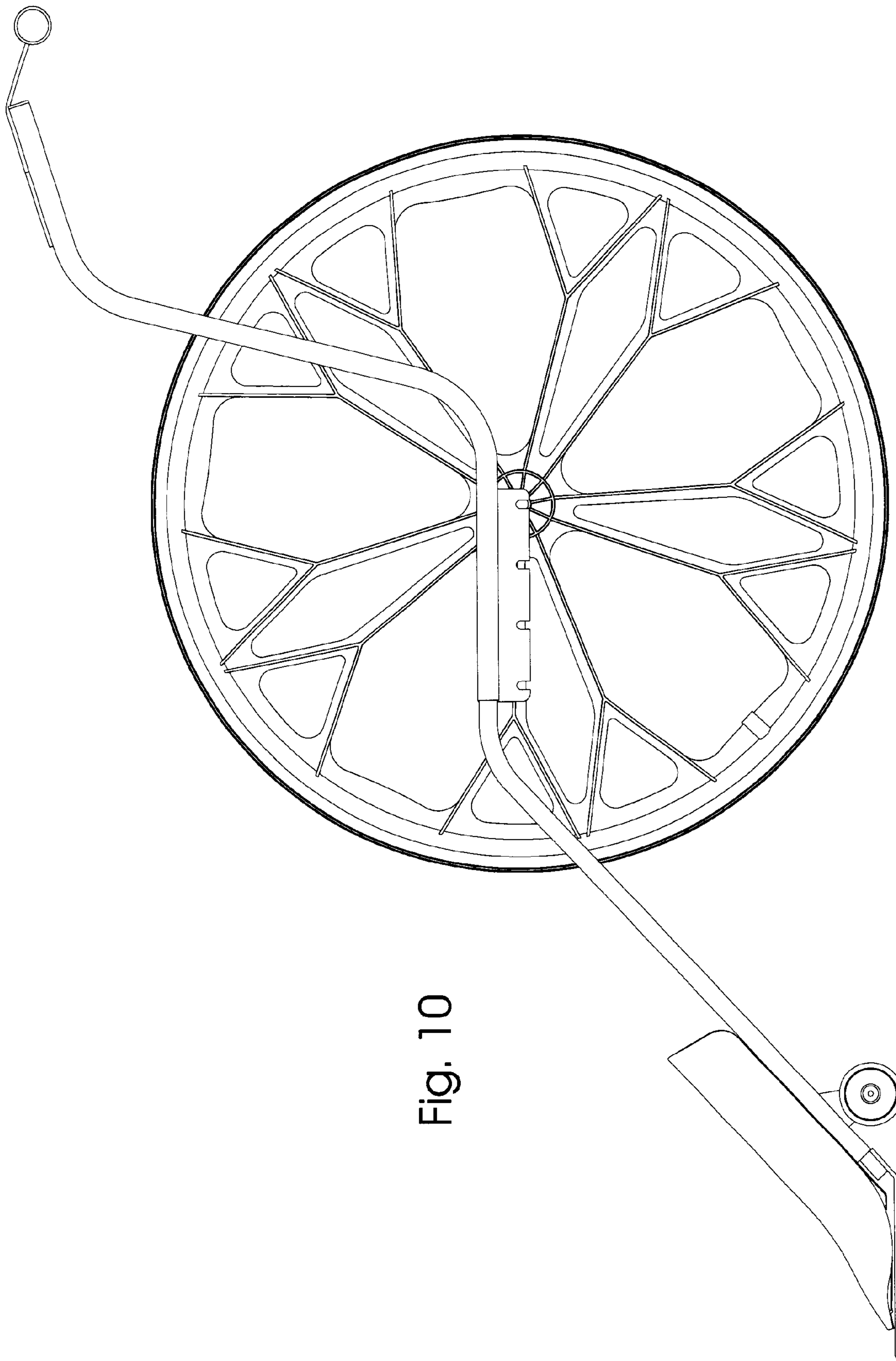


Fig. 10