

US00D525092S

(12) **United States Design Patent**
Ariaz et al.

(10) **Patent No.:** **US D525,092 S**

(45) **Date of Patent:** **** Jul. 18, 2006**

(54) **CATCH BASIN ASSEMBLY FOR FLOWABLE PRODUCT APPLICATOR**

D381,393 S * 7/1997 Carano D23/200
D457,935 S 5/2002 Ariaz
D484,565 S 12/2003 Ariaz

(76) Inventors: **Danny L. Ariaz**, 7575 Tamra Dr.,
Reno, NV (US) 89506; **Claude L. Watson**, 309 Santa Rita, Modesto, CA
(US) 95354; **Lloyd D. Douglass**, 22811
Piper Ct., Columbia, CA (US) 95310

* cited by examiner

Primary Examiner—Robin Webster

(74) *Attorney, Agent, or Firm*—James F. Hann; Haynes
Beffel & Wolfeld LLP

(**) **Term:** **14 Years**

(57) **CLAIM**

(21) **Appl. No.:** **29/190,873**

The ornamental design for a catch basin assembly for
flowable product applicator, as shown and described.

(22) **Filed:** **Sep. 26, 2003**

DESCRIPTION

(51) **LOC (8) Cl.** **08-01**

(52) **U.S. Cl.** **D8/2; D23/200**

(58) **Field of Classification Search** D8/1,
D8/2; D23/200, 225; 47/1.5; 239/152, 154
See application file for complete search history.

The catch basin assembly for flowable product applicator is
used to hold a supply of pellets or granules and deliver
metered amounts of the flowable product to an appropriate
applicator.

FIG. 1 is a front, right, top isometric view of a catch basin
assembly for flowable product applicator showing my new
design;

FIG. 2 is a rear, left, top isometric view thereof;

FIG. 3 is a front elevation view thereof;

FIG. 4 is a rear elevation view thereof;

FIG. 5 is a right side elevation view thereof;

FIG. 6 is a left side elevation view thereof;

FIG. 7 is a top plan view thereof; and,

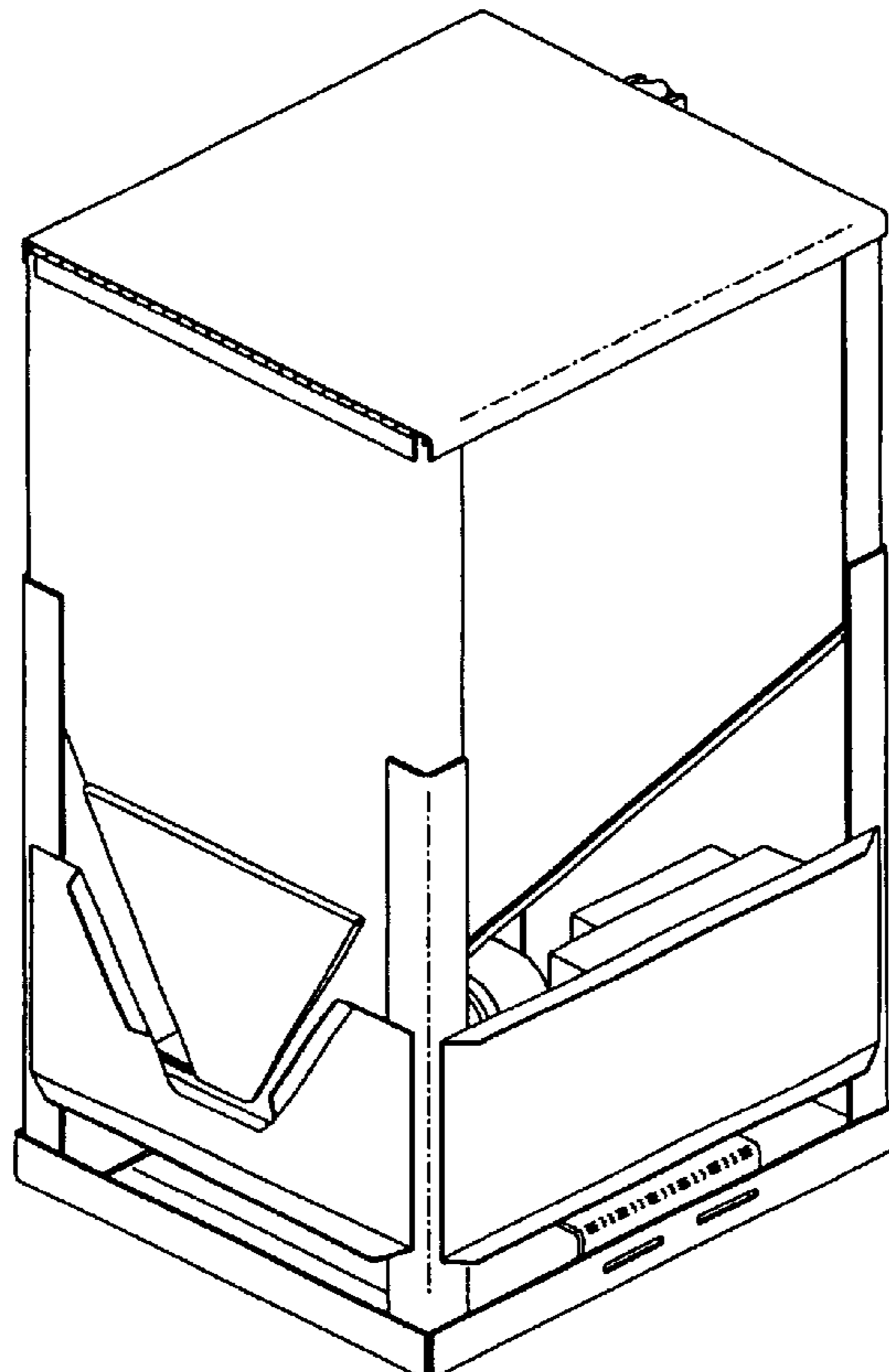
FIG. 8 is a bottom plan view thereof.

(56) **References Cited**

U.S. PATENT DOCUMENTS

4,349,988	A	*	9/1982	Kotula et al.	47/1.5
D283,327	S		4/1986	Ariaz et al.		
D285,282	S		8/1986	Ariaz et al.		
4,799,831	A		1/1989	Ariaz		
D326,137	S	*	5/1992	Ali	D23/225
D337,245	S	*	7/1993	Taylor et al.	D8/2
5,429,305	A	*	7/1995	Munsey	239/152
D364,786	S	*	12/1995	Taylor et al.	D8/2

1 Claim, 8 Drawing Sheets



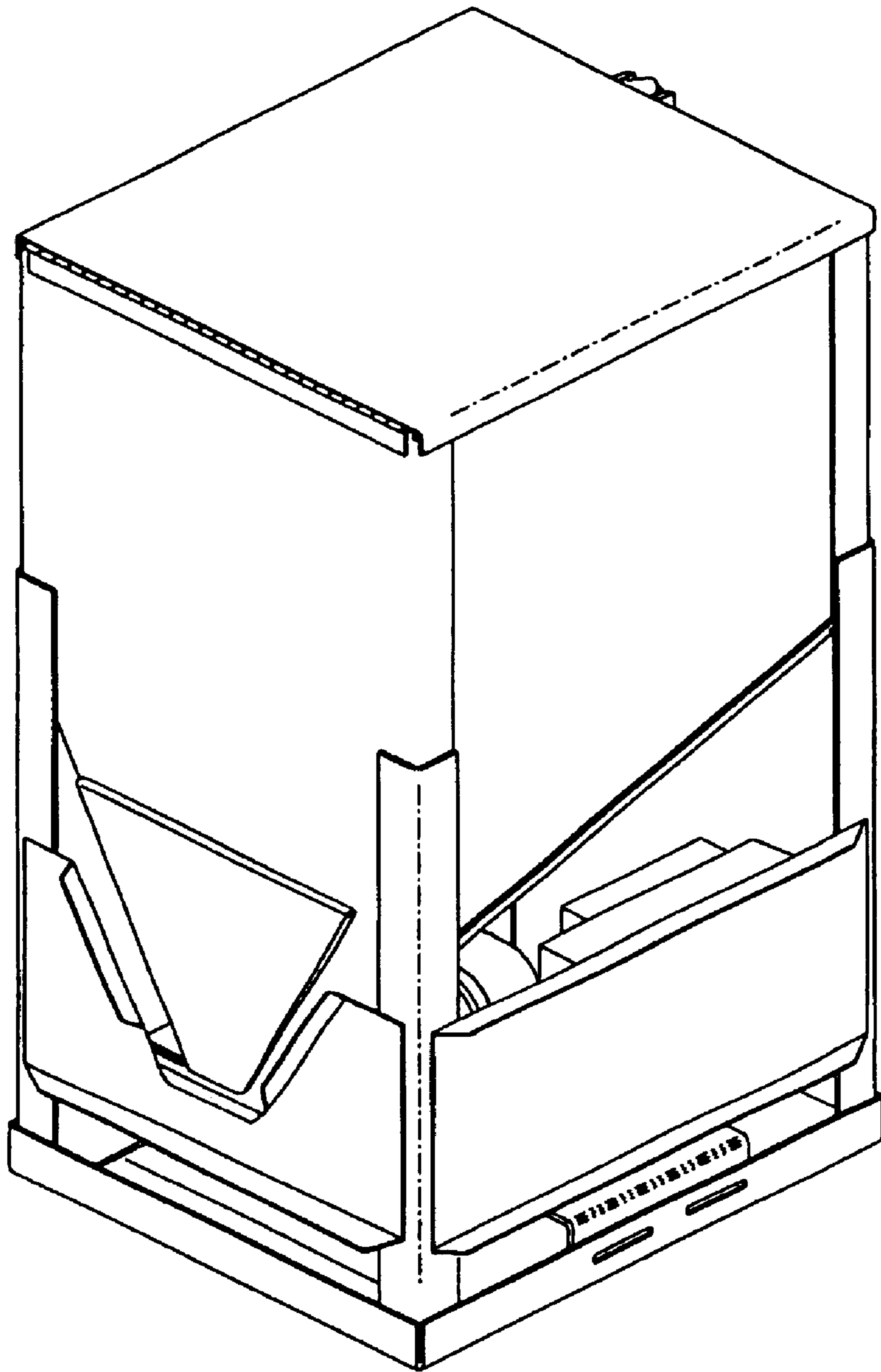


FIG. 1

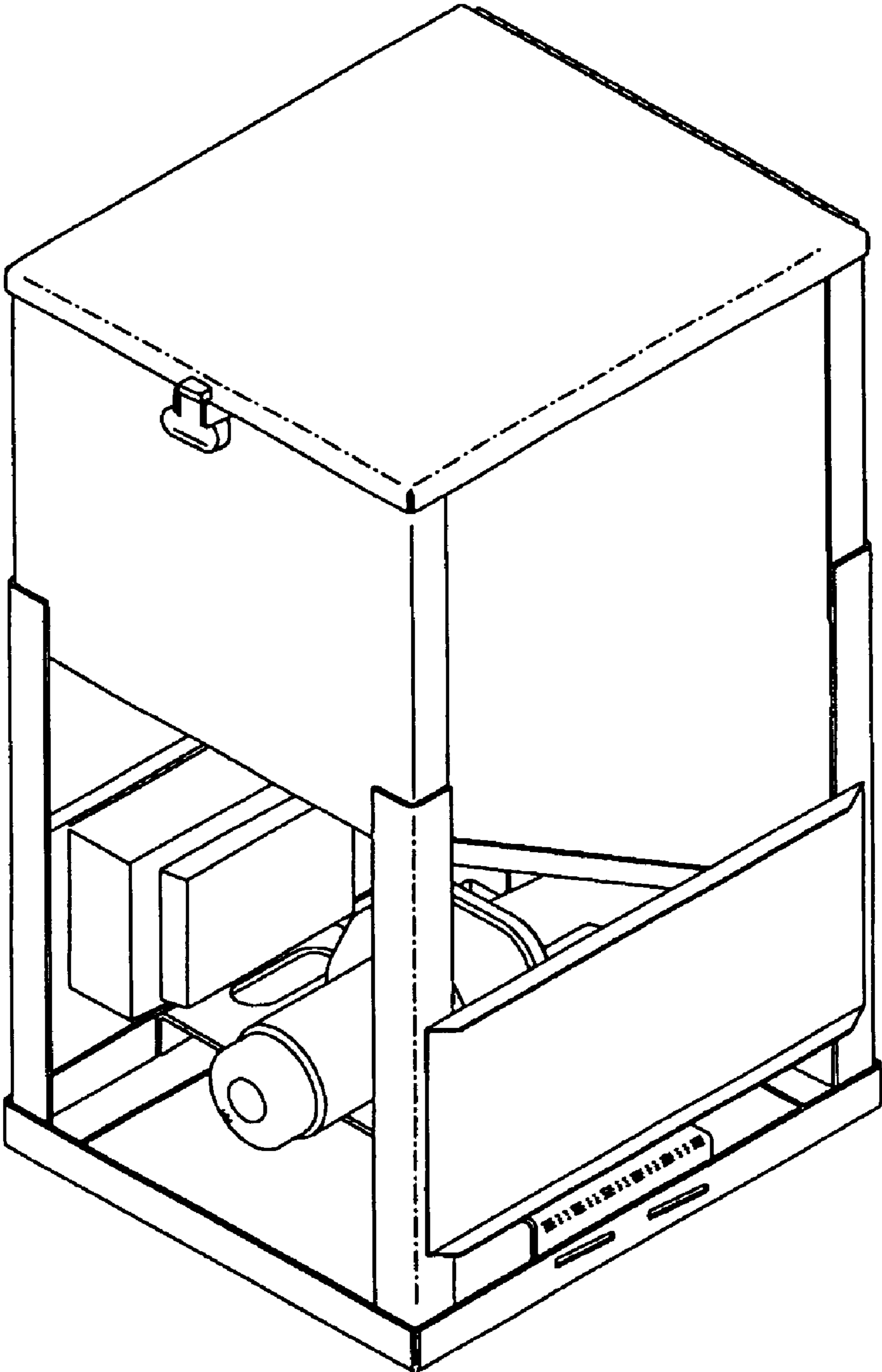


FIG. 2

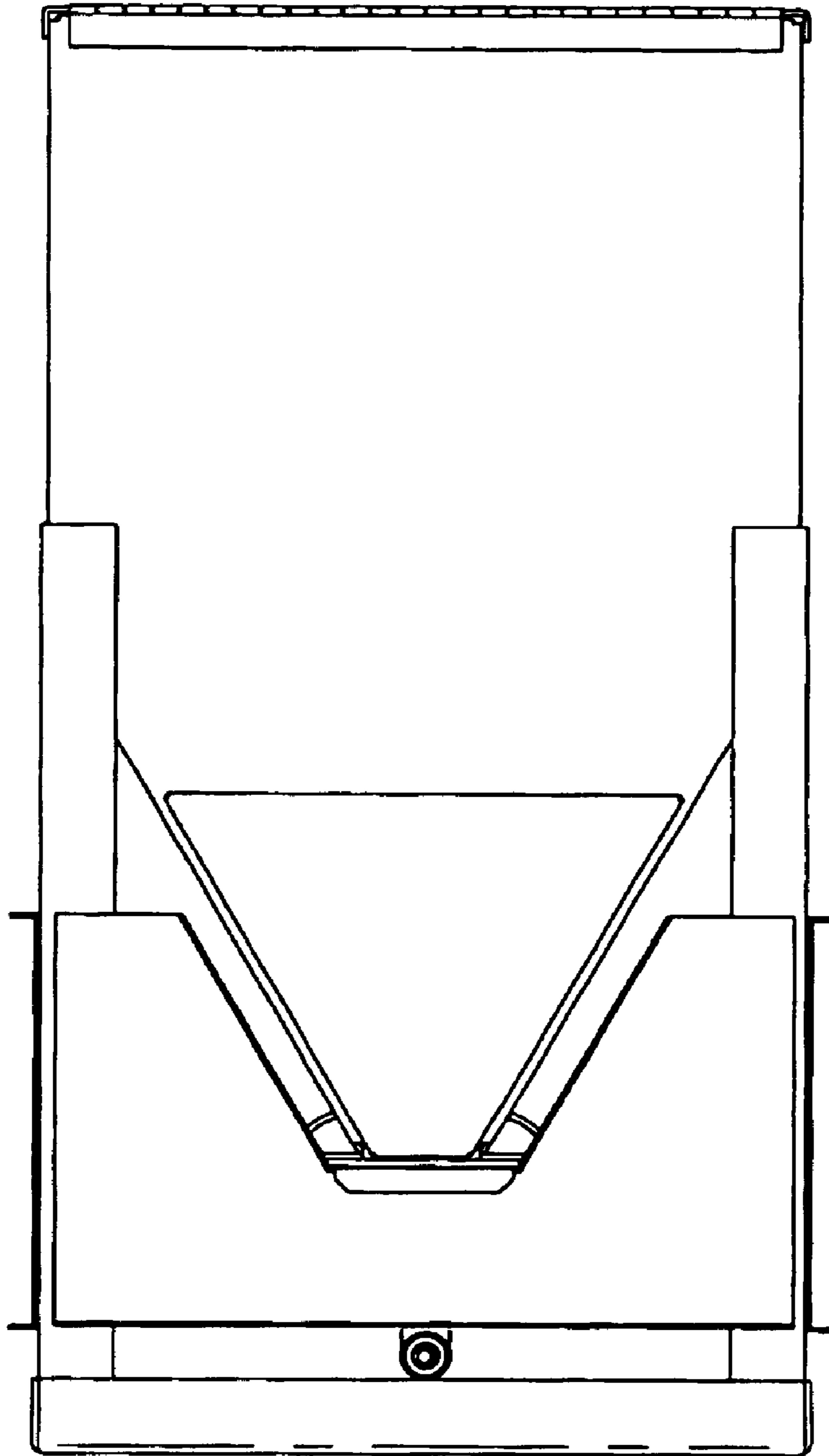


FIG. 3

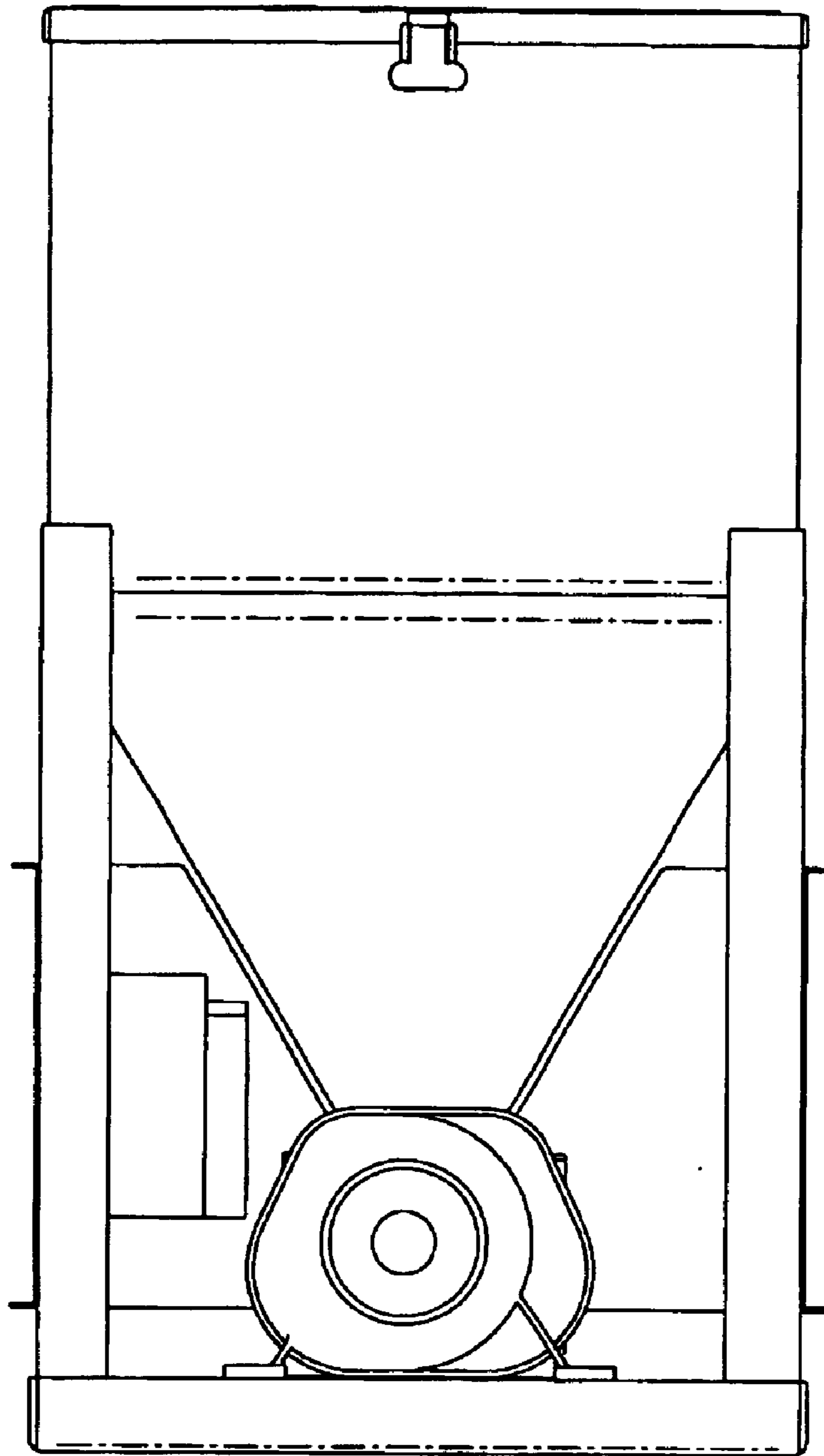


FIG. 4

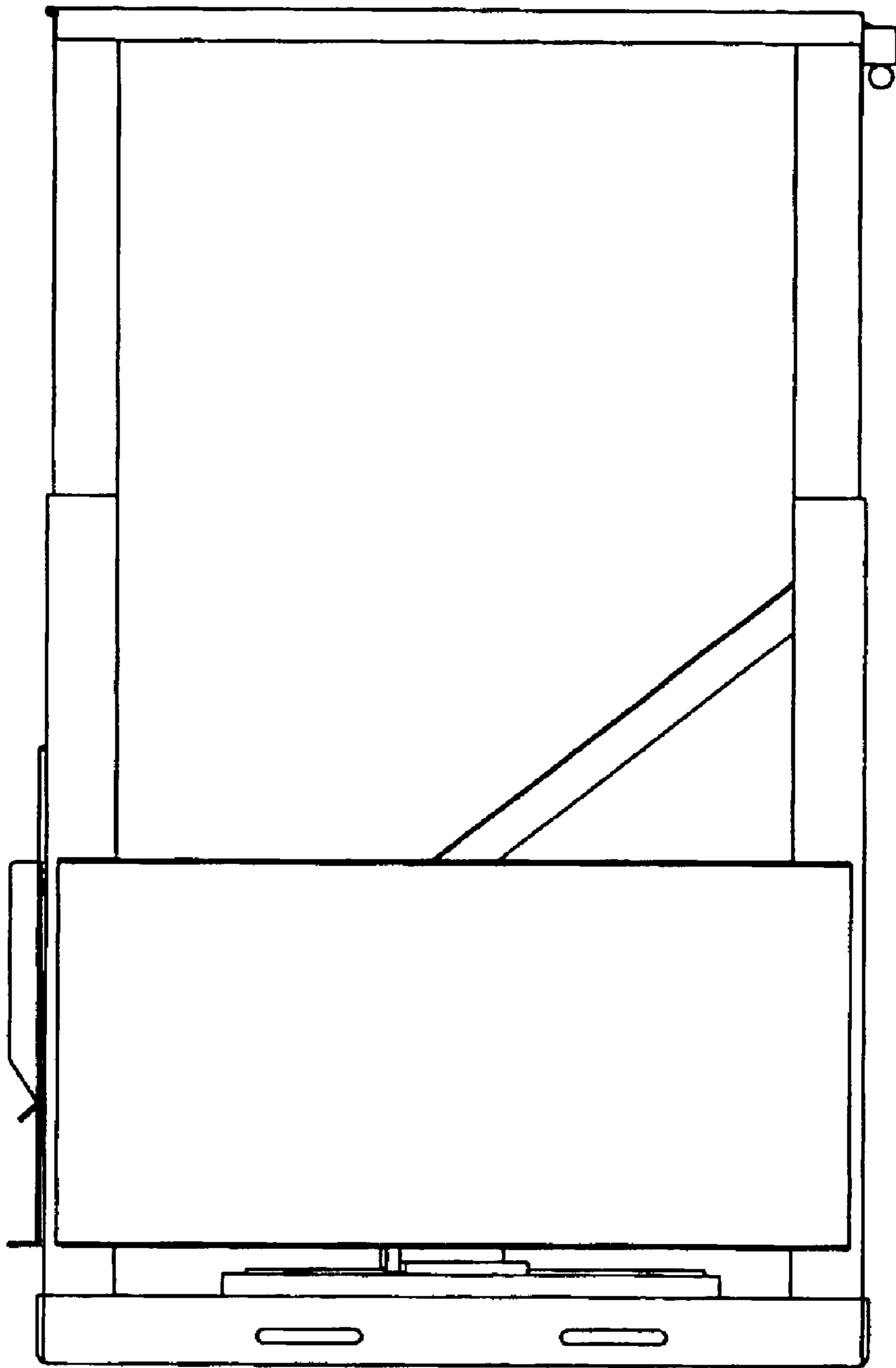


FIG. 5

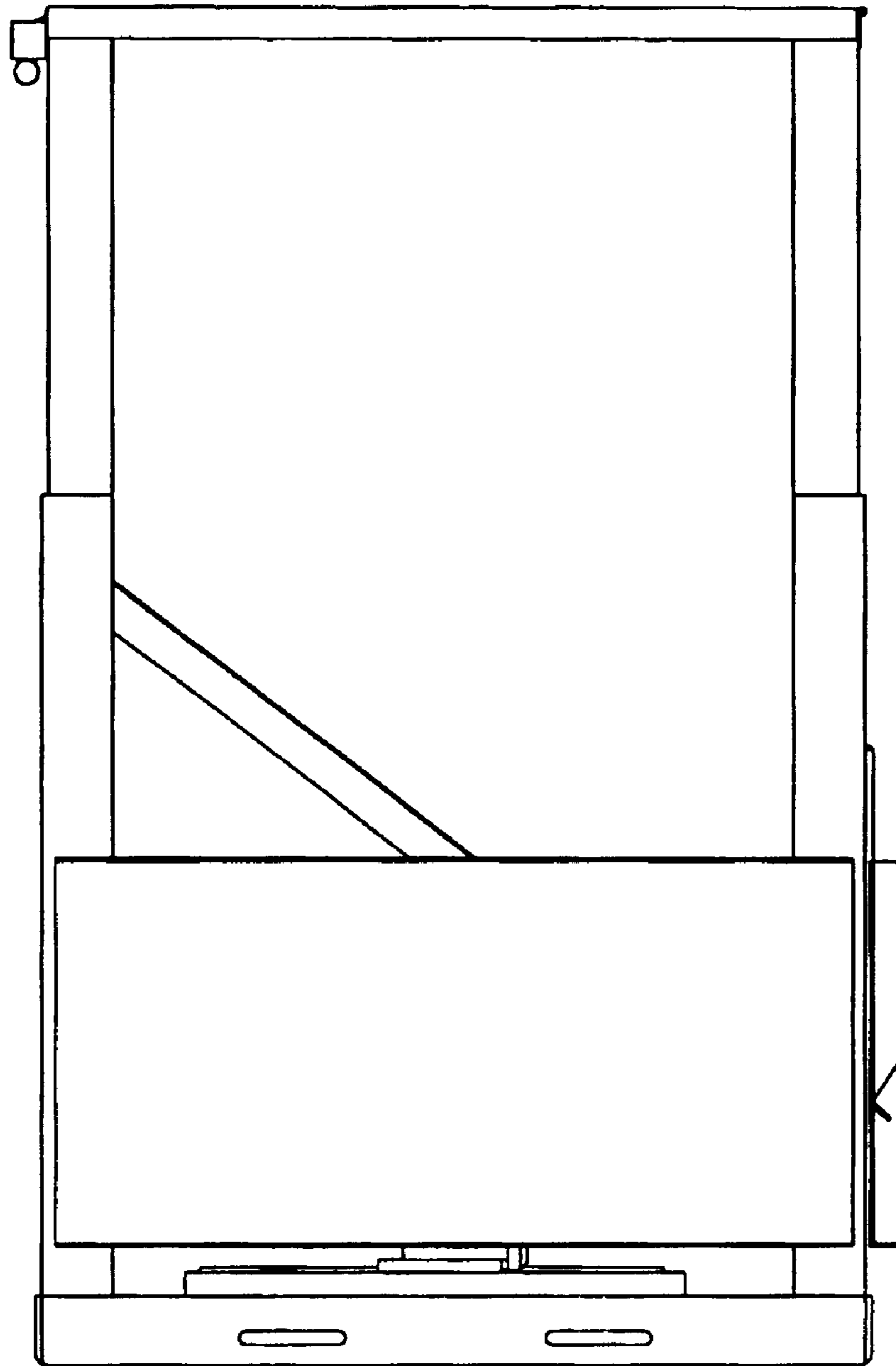


FIG. 6

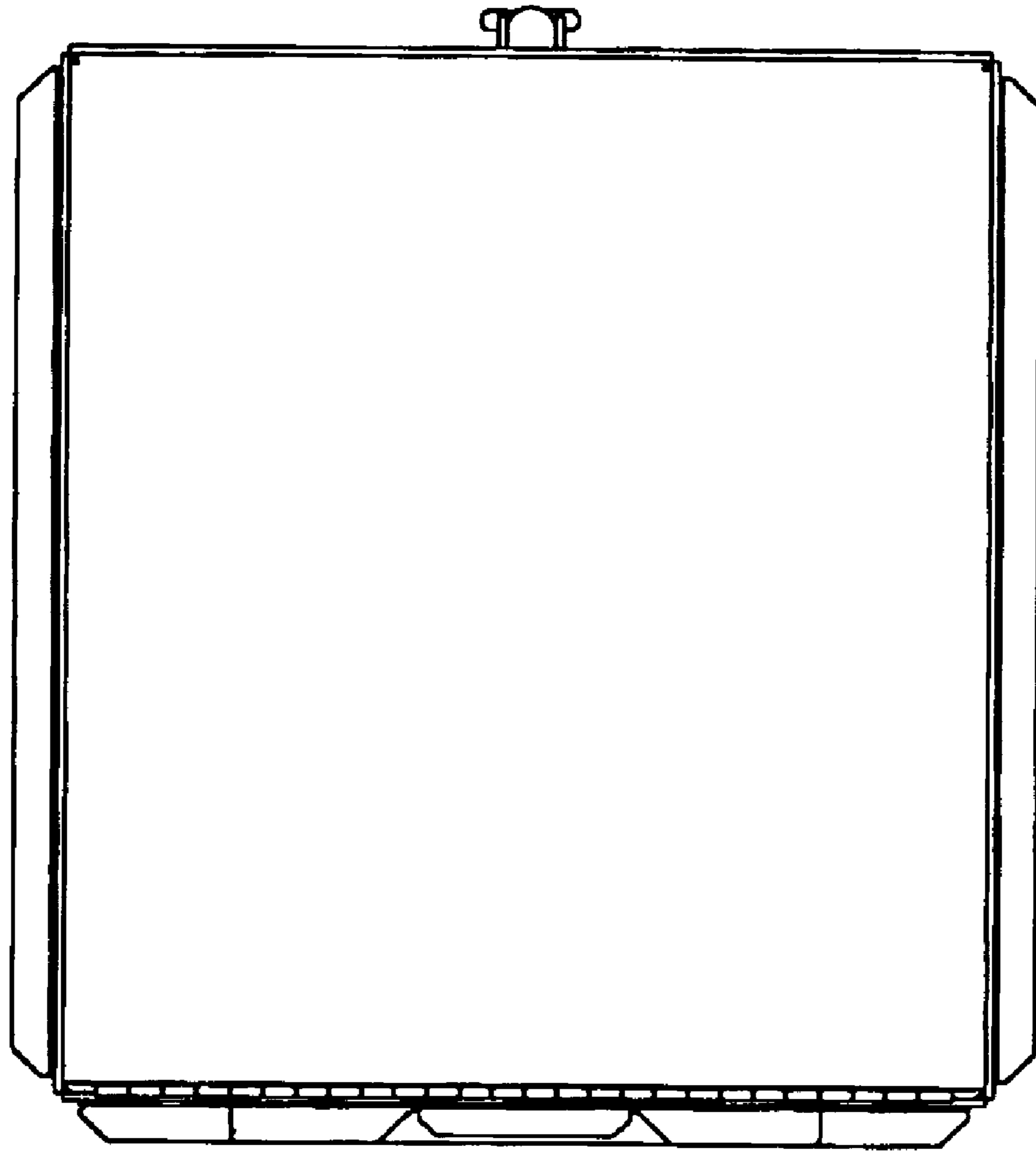


FIG. 7

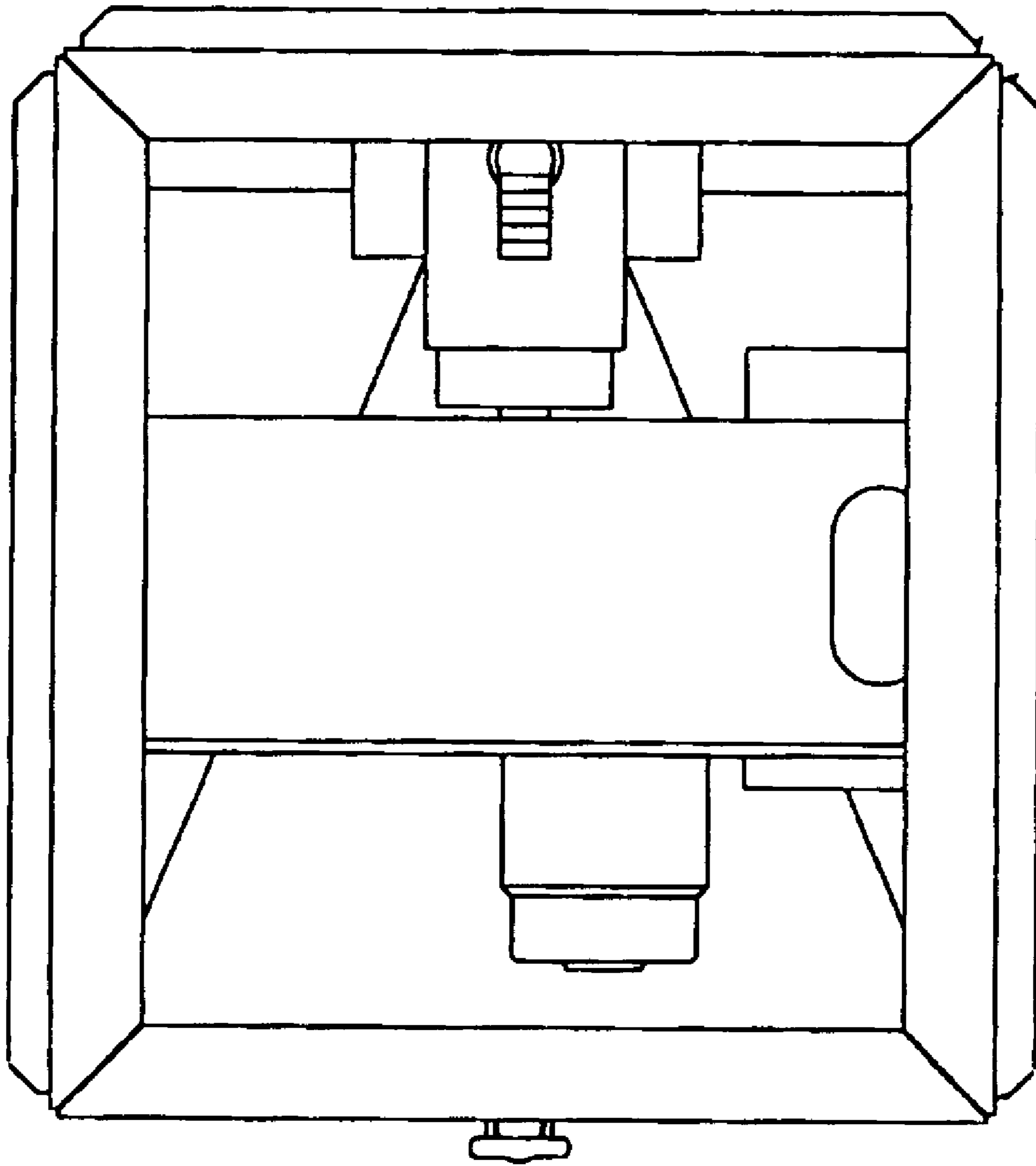


FIG. 8