



US00D525090S

(12) **United States Design Patent**
Muskat et al.

(10) **Patent No.:** **US D525,090 S**

(45) **Date of Patent:** **** Jul. 18, 2006**

(54) **STEAK WEIGHT**

(76) Inventors: **Michael Muskat**, 10061 NW. 3rd St.,
Plantation, FL (US) 33324; **Siva K. Dasan**, 5837 NW. 122 Way, Coral
Springs, FL (US) 33076

(**) Term: **14 Years**

(21) Appl. No.: **29/234,264**

(22) Filed: **Jul. 15, 2005**

(51) **LOC (8) Cl.** **07-04**

(52) **U.S. Cl.** **D7/669**; D7/682

(58) **Field of Classification Search** D7/669,
D7/368, 682; D8/45, 105; 99/342, 349, 419;
452/141, 146, 198; 426/512, 513
See application file for complete search history.

(56) **References Cited**

U.S. PATENT DOCUMENTS

2,522,175 A * 9/1950 Hill 99/349
3,736,859 A 6/1973 Carlson
4,217,817 A * 8/1980 Meamber 99/349
D257,816 S * 1/1981 Bruce D7/368

4,635,538 A * 1/1987 Polster 99/349
D330,831 S * 11/1992 Ng D7/638
D376,522 S * 12/1996 Tena D8/45
D474,389 S * 5/2003 Panfili et al. D8/45
2004/0074398 A1 4/2004 Griffin et al.

* cited by examiner

Primary Examiner—Terry A. Wallace

(74) *Attorney, Agent, or Firm*—Manuel R. Valcarcel

(57) **CLAIM**

The ornamental design for a steak weight, as shown and described.

DESCRIPTION

FIG. 1 is a front side perspective view of a steak weight, embodying the ornamental design comprising the present invention;

FIG. 2 is a top view thereof;

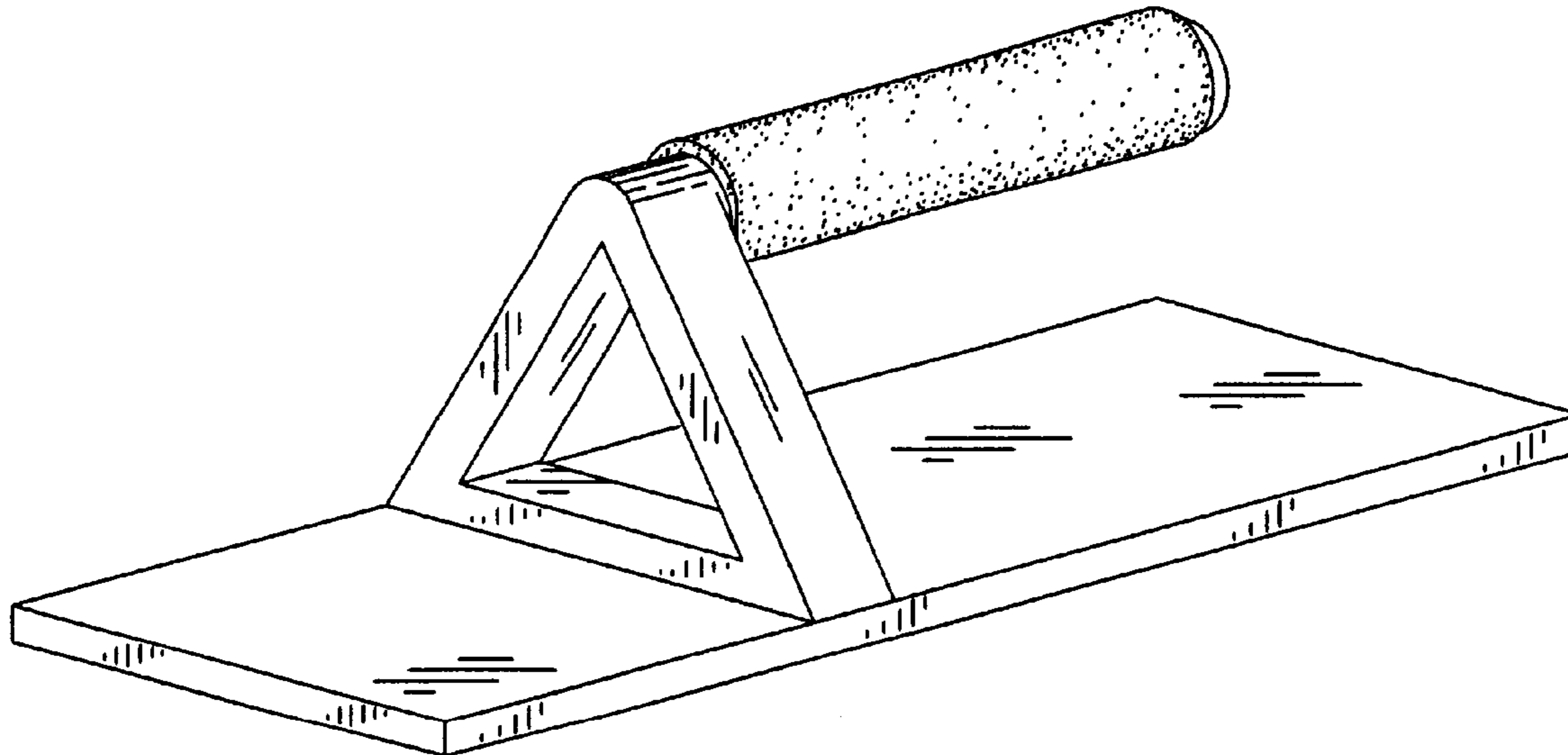
FIG. 3 is a front or rear elevational view thereof;

FIG. 4 is a side elevational view thereof;

FIG. 5 is a front or rear elevational view, opposite to the view depicted in FIG. 3; and,

FIG. 6 is bottom view thereof.

1 Claim, 1 Drawing Sheet



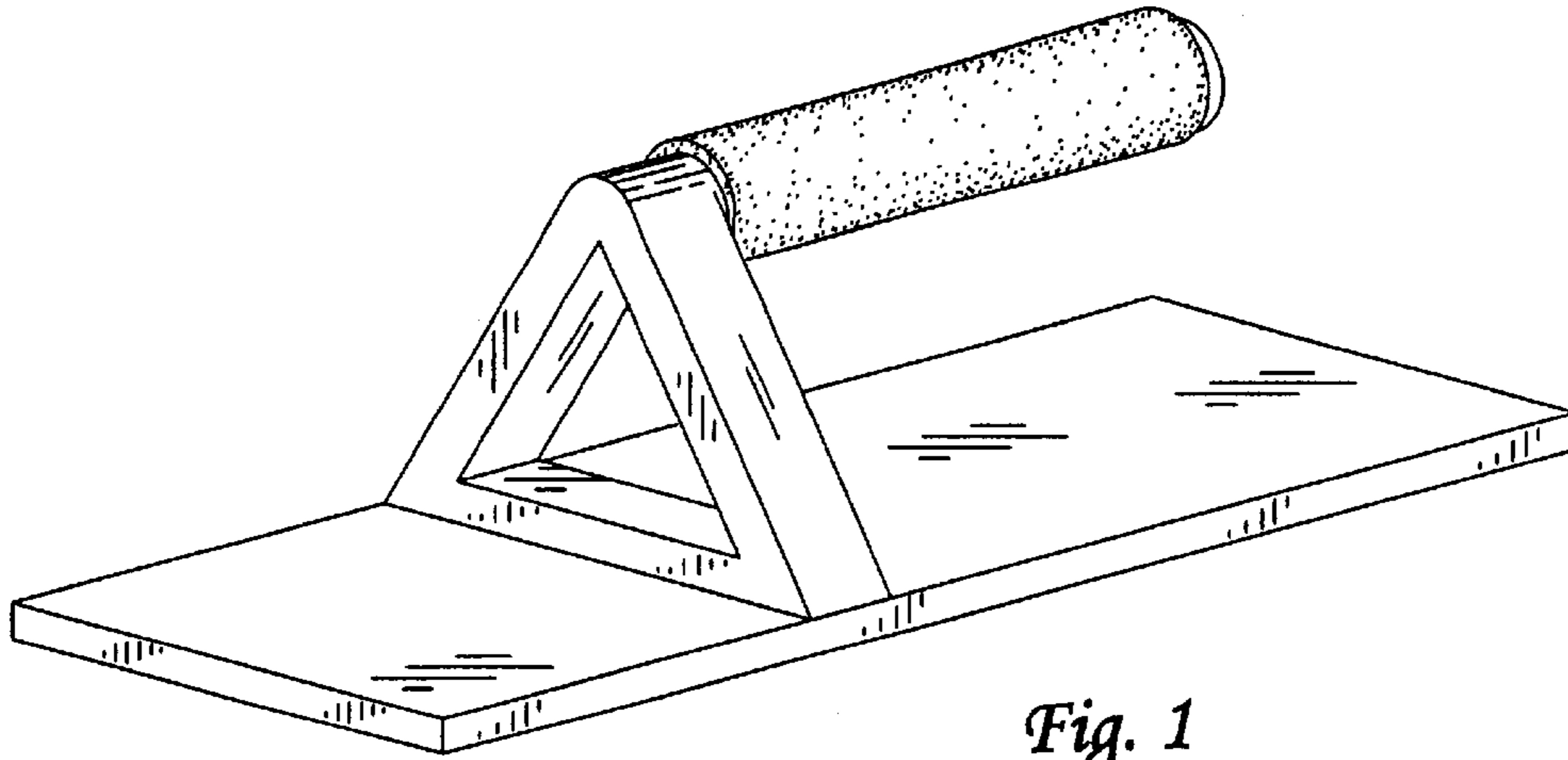


Fig. 1

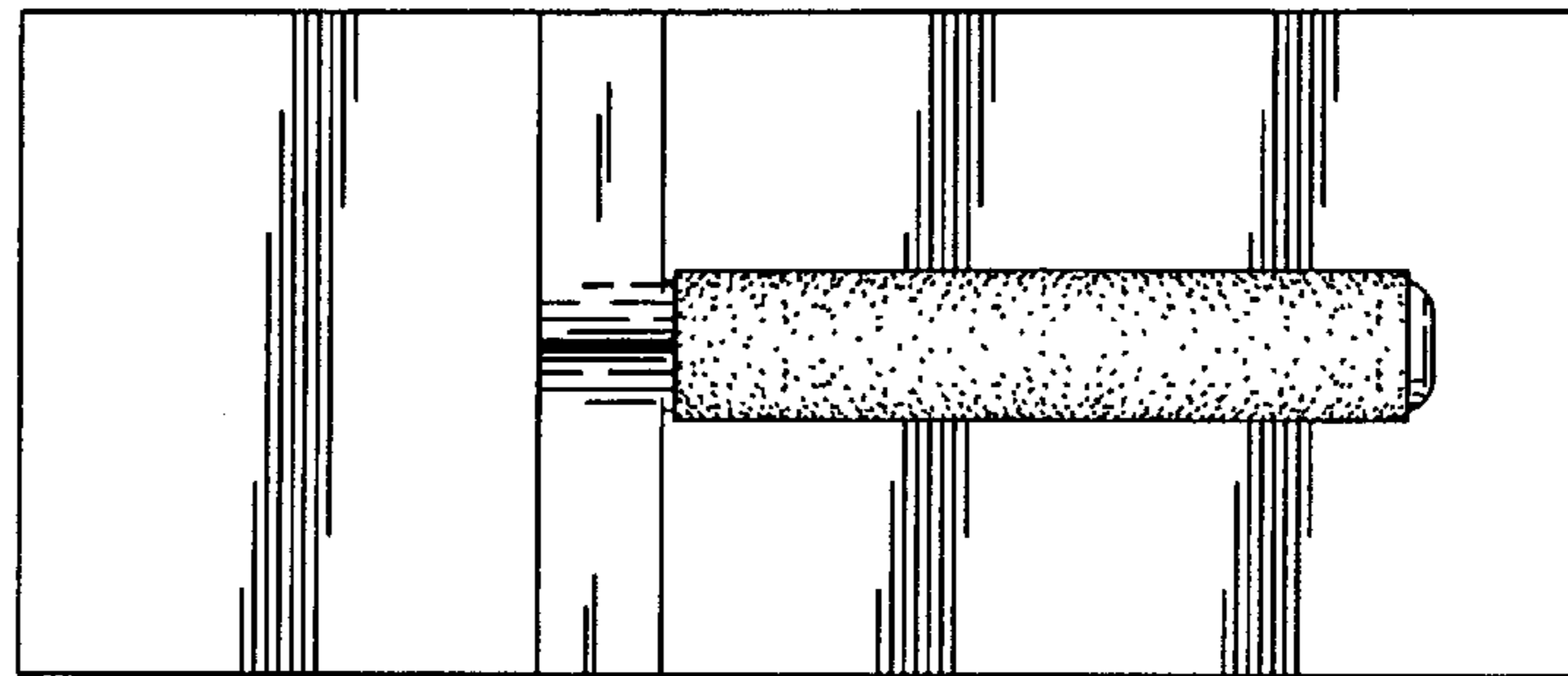


Fig. 2

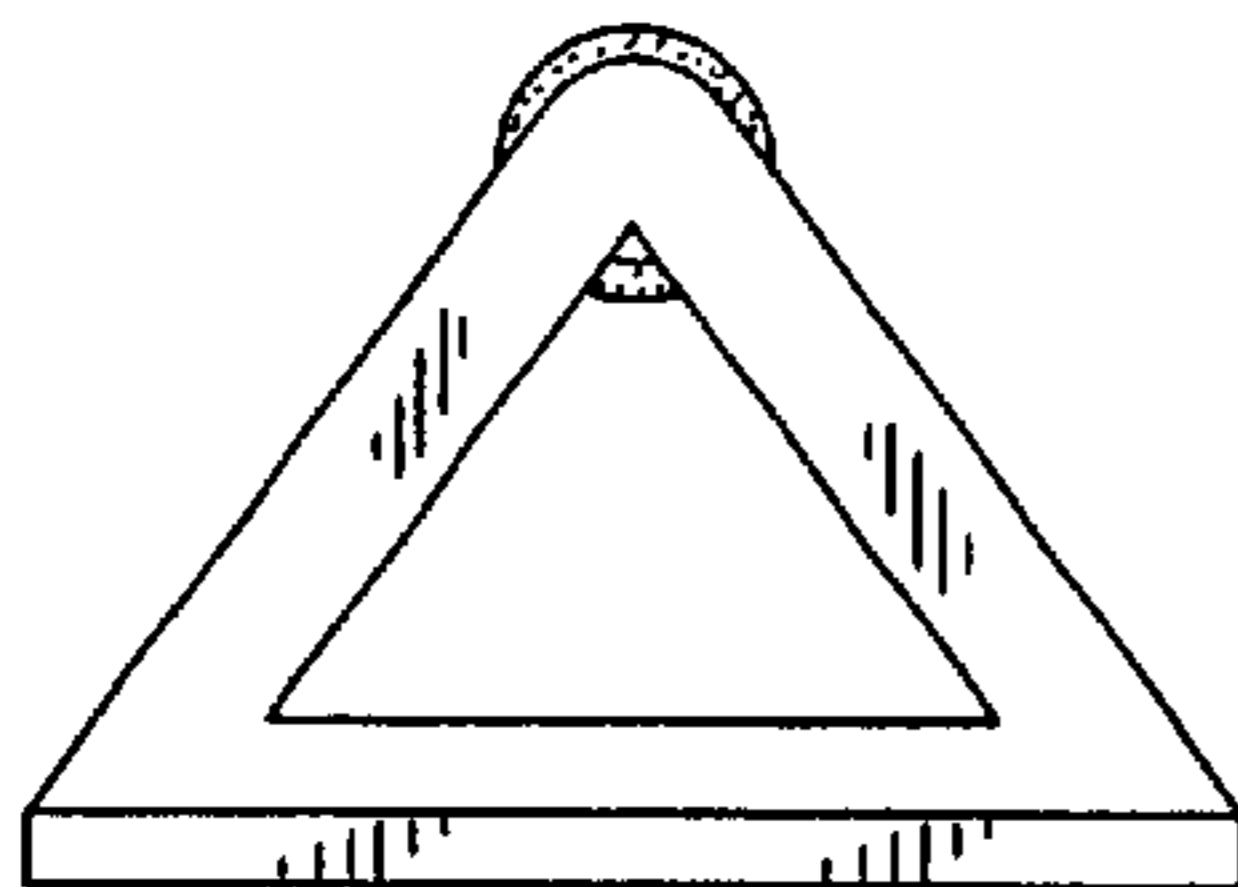


Fig. 3

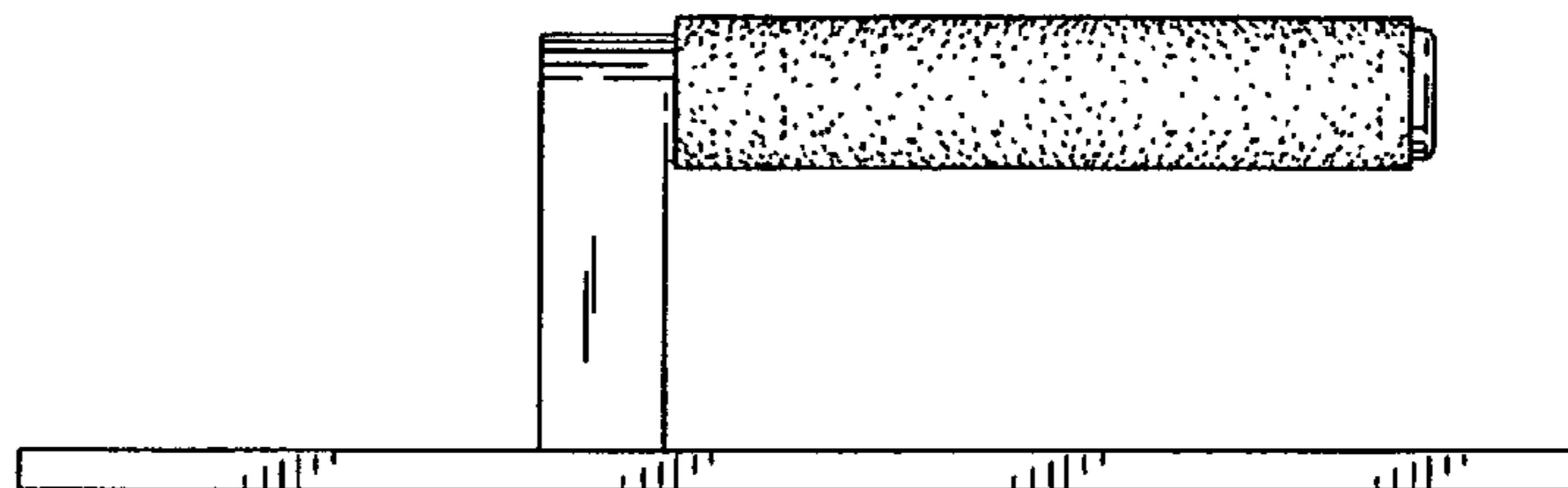


Fig. 4

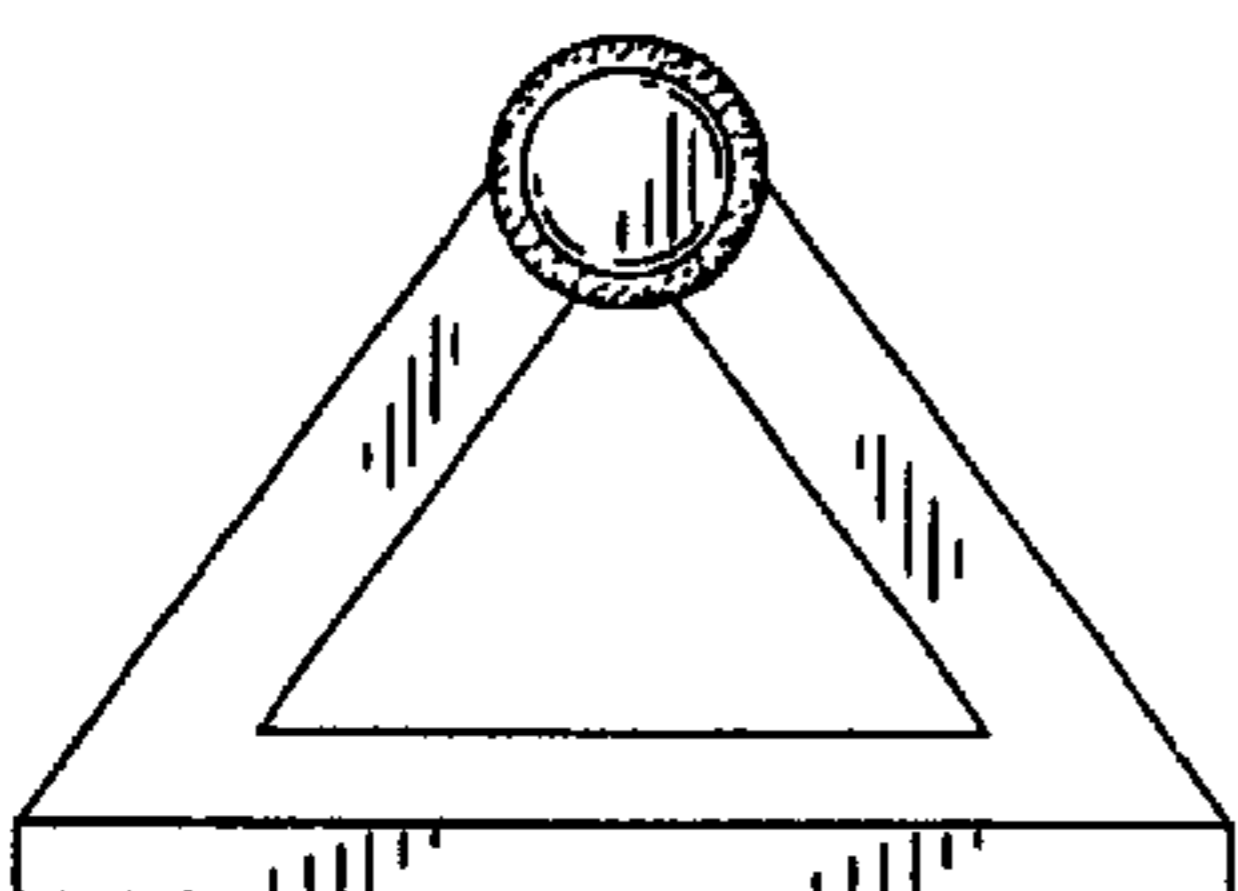


Fig. 5

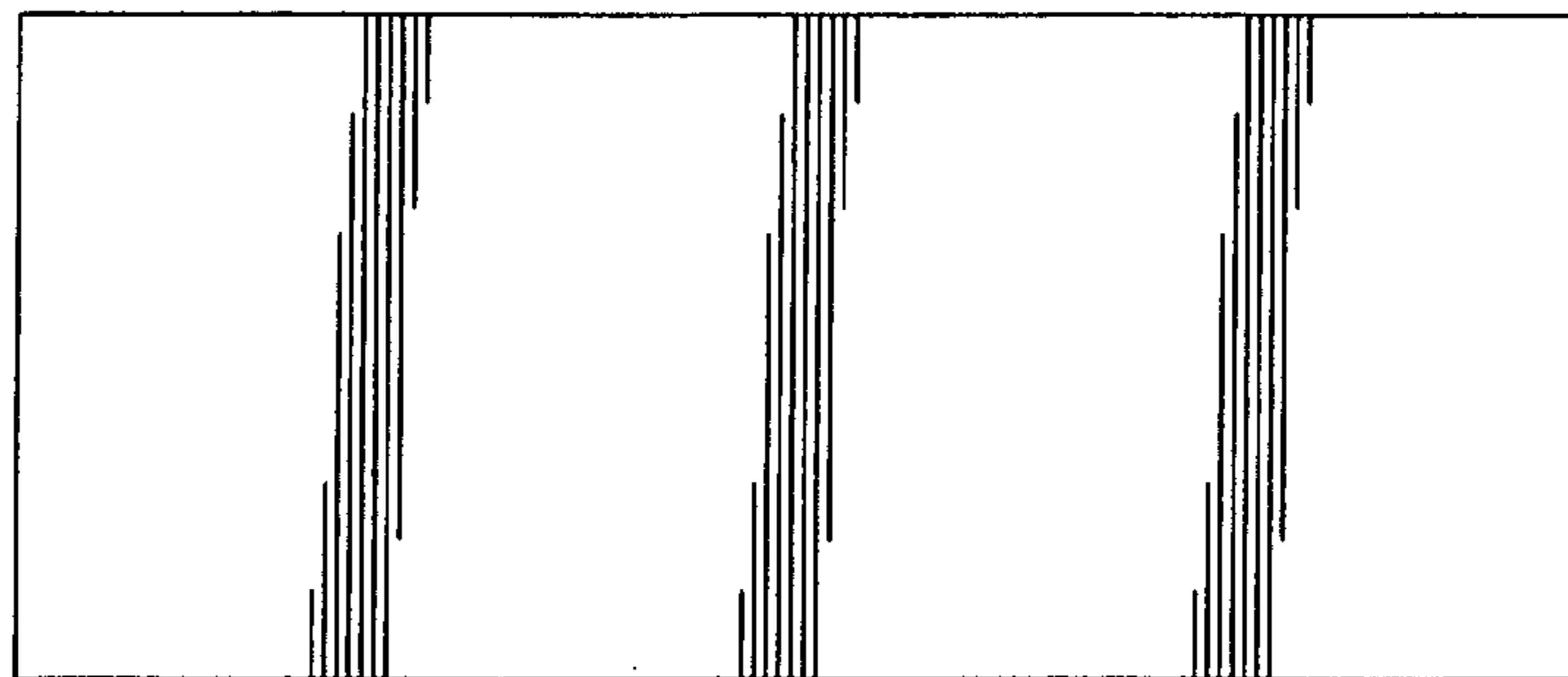


Fig. 6