



US00D525082S

(12) **United States Design Patent**
Copeland

(10) **Patent No.:** **US D525,082 S**

(45) **Date of Patent:** **** Jul. 18, 2006**

(54) **MUG**

(75) **Inventor:** **Bruce William Copeland**, Stone Mountain, GA (US)

(73) **Assignee:** **Williams Industries, Inc.**, Shelbyville, IN (US)

(**) **Term:** **14 Years**

(21) **Appl. No.:** **29/231,054**

(22) **Filed:** **May 31, 2005**

(51) **LOC (8) Cl.** **07-01**

(52) **U.S. Cl.** **D7/529; D7/523; D7/536**

(58) **Field of Classification Search** D7/529, D7/510, 511, 523, 507, 509, 503, 513, 555, D7/557; D11/144; 215/12.1; 220/719, 675, 220/707, 705, 737, 703, 704, 592.16, 592.17, 220/630, 710.5, 739; 206/519, 520, 217; 229/409, 400, 103.1

See application file for complete search history.

(56) **References Cited**

U.S. PATENT DOCUMENTS

D90,120 S	*	6/1933	McNash	D7/523
D224,798 S	*	9/1972	Benes	D7/529
D423,879 S	*	5/2000	Lin	D7/529
D447,005 S	*	8/2001	Trombly	D7/536
D461,369 S	*	8/2002	Sims et al.	D7/531
D477,750 S	*	7/2003	Chuang	D7/529
D479,095 S	*	9/2003	Webb	D7/531
D479,096 S	*	9/2003	Webb	D7/531
D483,615 S	*	12/2003	Norris et al.	D7/533
D486,696 S	*	2/2004	McMullin	D7/533
D489,574 S	*	5/2004	Copeland	D7/536

D489,940 S	*	5/2004	Gluck	D7/523
D491,021 S	*	6/2004	Webb	D7/531
D507,152 S	*	7/2005	Trombly	D7/536
D511,937 S	*	11/2005	Liu	D7/533
D512,270 S	*	12/2005	Harris et al.	D7/529

* cited by examiner

Primary Examiner—M. N. Pandozzi

(74) *Attorney, Agent, or Firm*—Barnes & Thornburg LLP

(57) **CLAIM**

The ornamental design for a mug, as shown and described.

DESCRIPTION

FIG. 1 is a side elevational view of a mug in accordance with my design, with the handle of the mug, which does not form part of my new design, illustrated in broken lines;

FIG. 2 is a side elevational view of the side opposite the side illustrated in FIG. 1, with the handle of the mug, which does not form part of my new design, illustrated in broken lines; FIG. 3 is another side elevational view of the mug, with the handle of the mug, which does not form part of my new design, illustrated in broken lines;

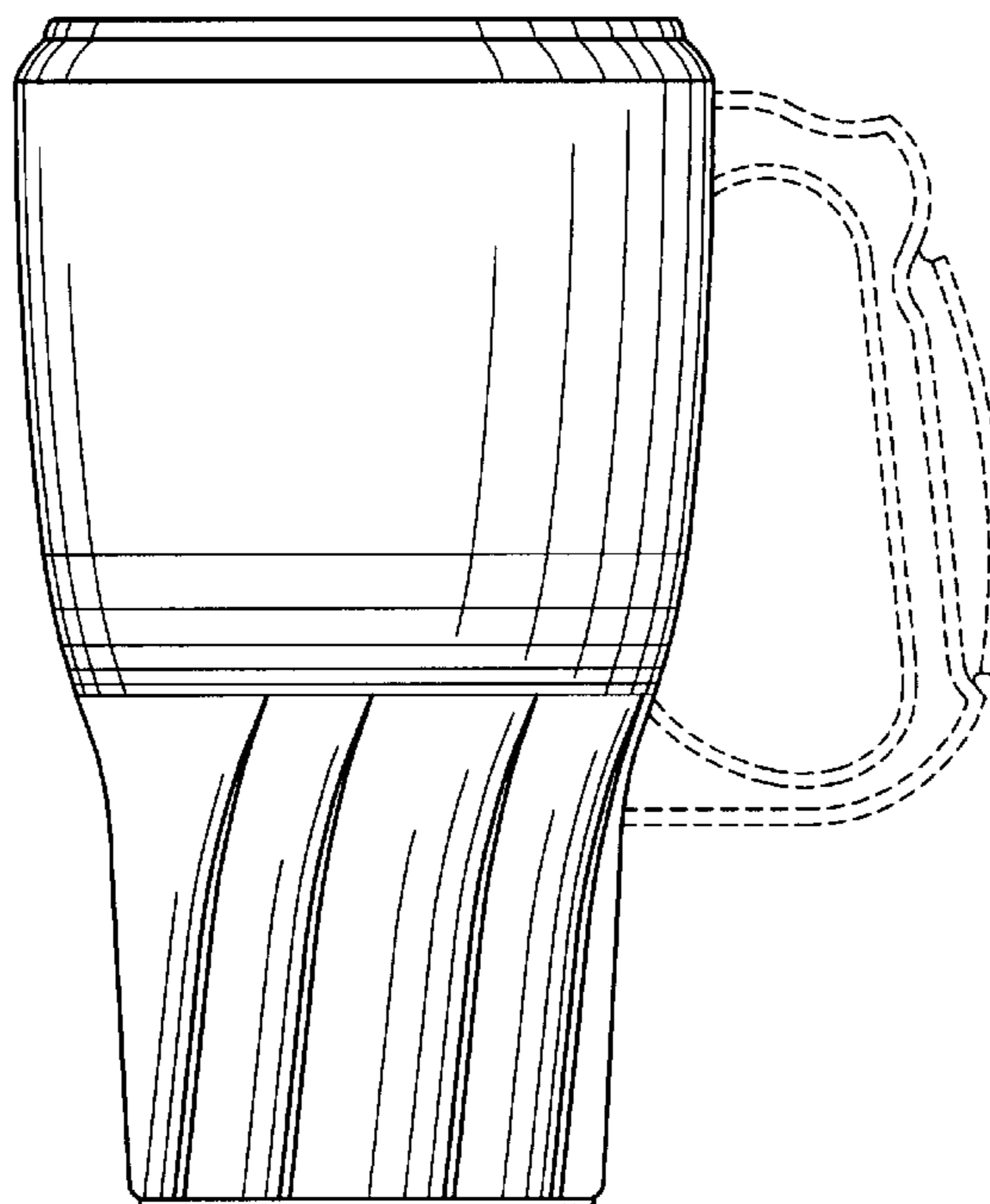
FIG. 4 is a side elevational view of the side opposite the side illustrated in FIG. 3;

FIG. 5 is a top plan view of the mug, with the handle of the mug, which does not form part of my new design, illustrated in broken lines;

FIG. 6 is a bottom plan view of the mug, with the handle of the mug, which does not form part of my new design, illustrated in broken lines; and,

FIG. 7 is a perspective view of the mug, with the handle of the mug, which does not form part of my new design, illustrated in broken lines.

1 Claim, 6 Drawing Sheets



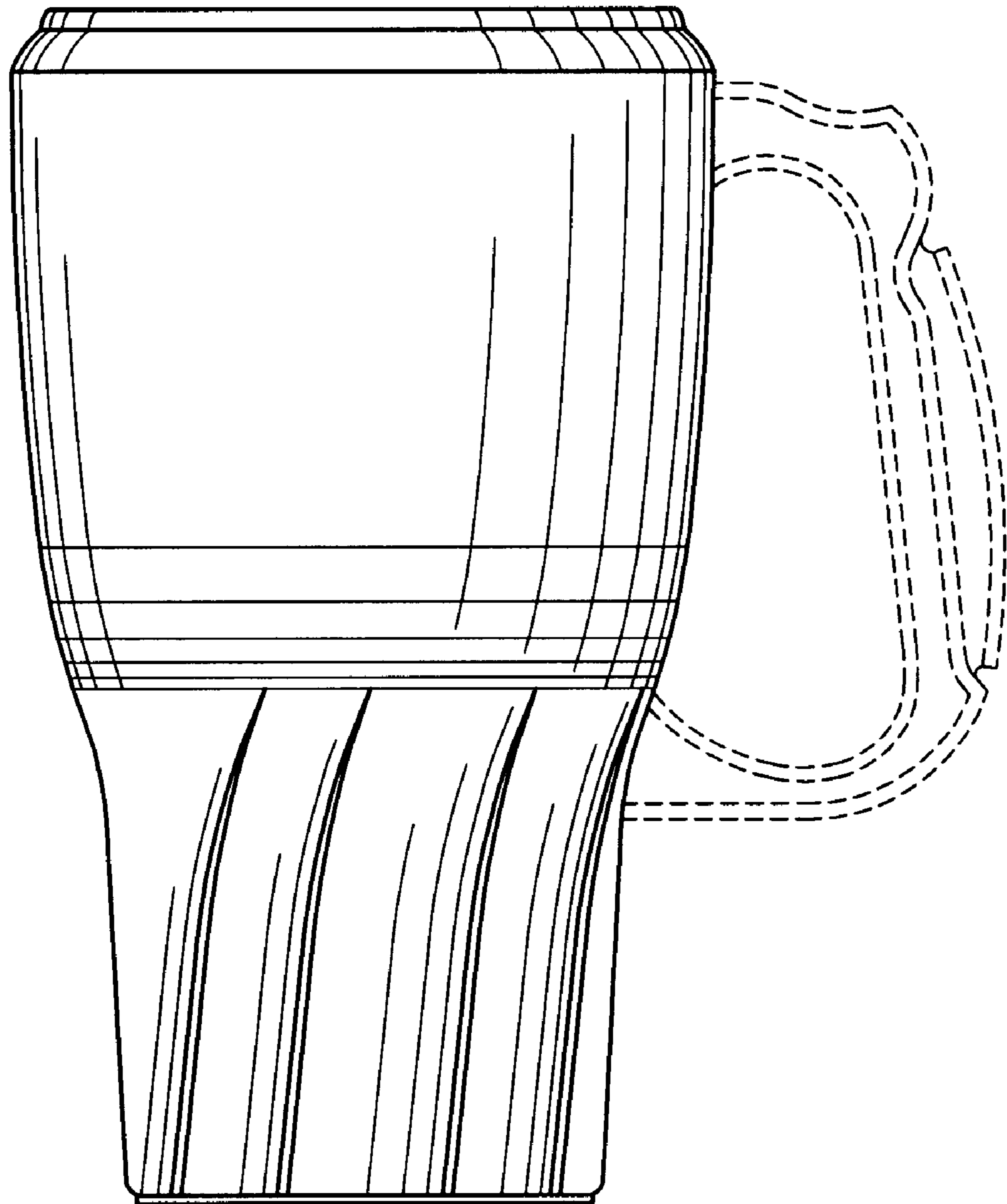


Fig. 1

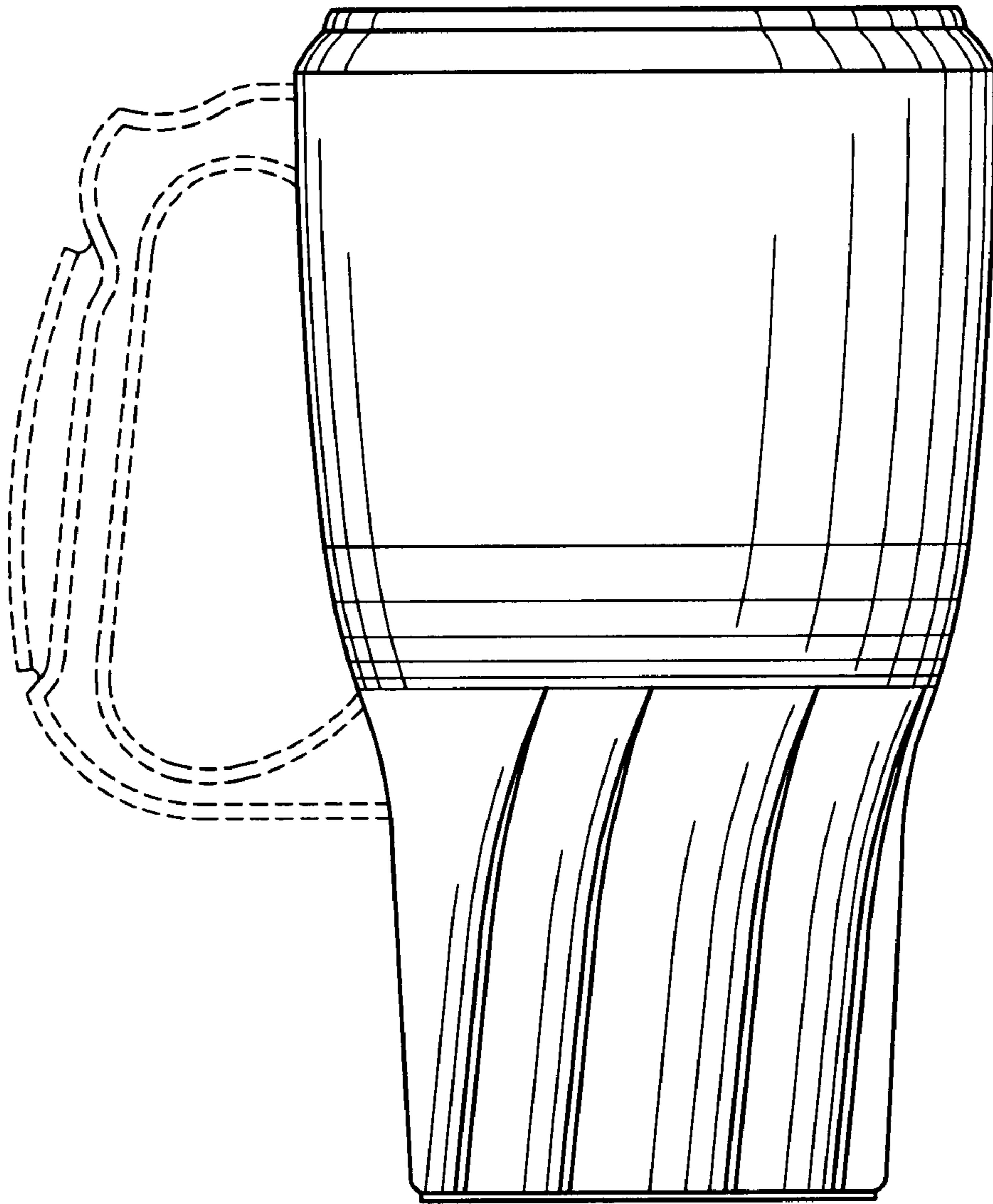


Fig. 2

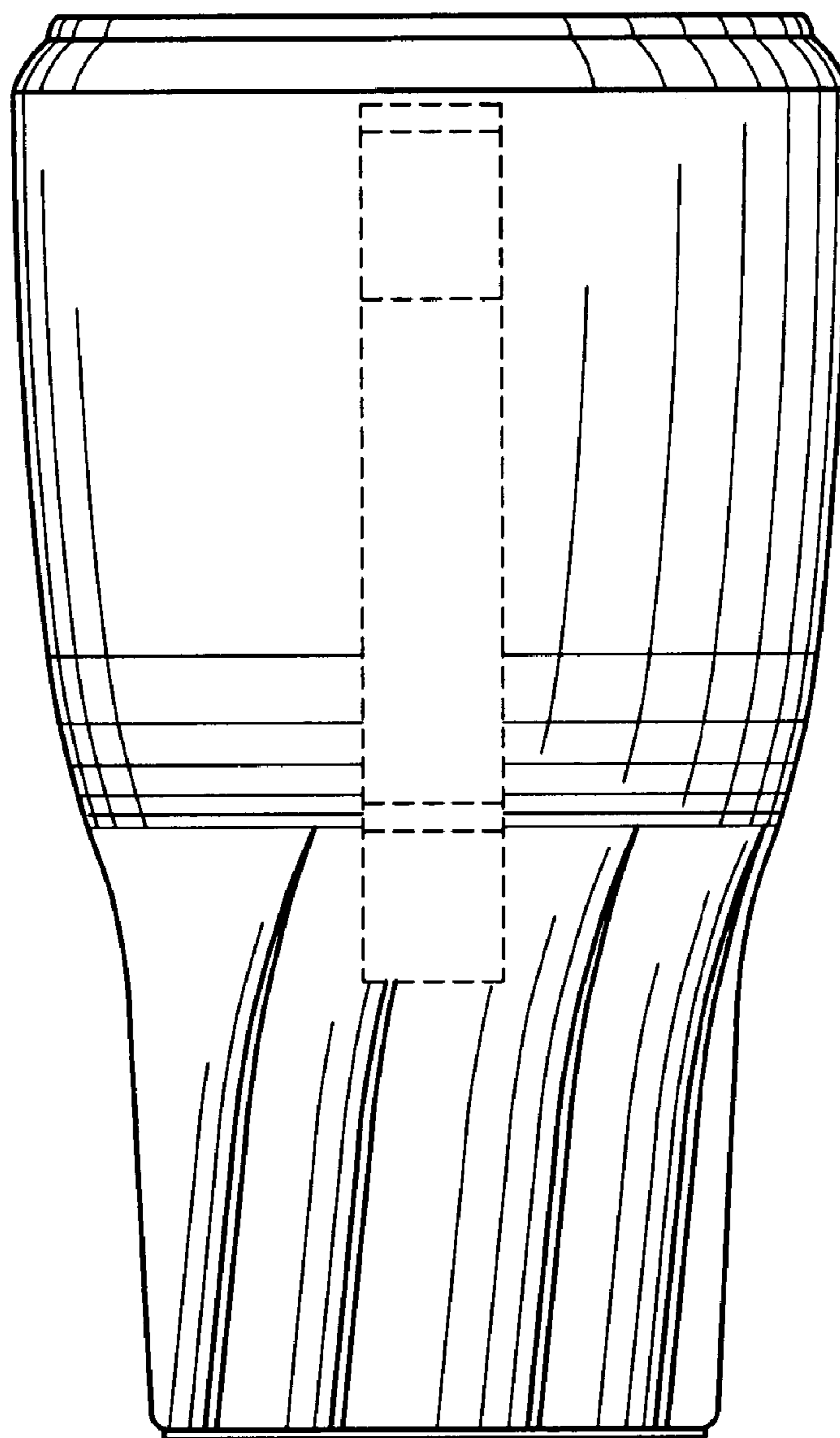


Fig. 3

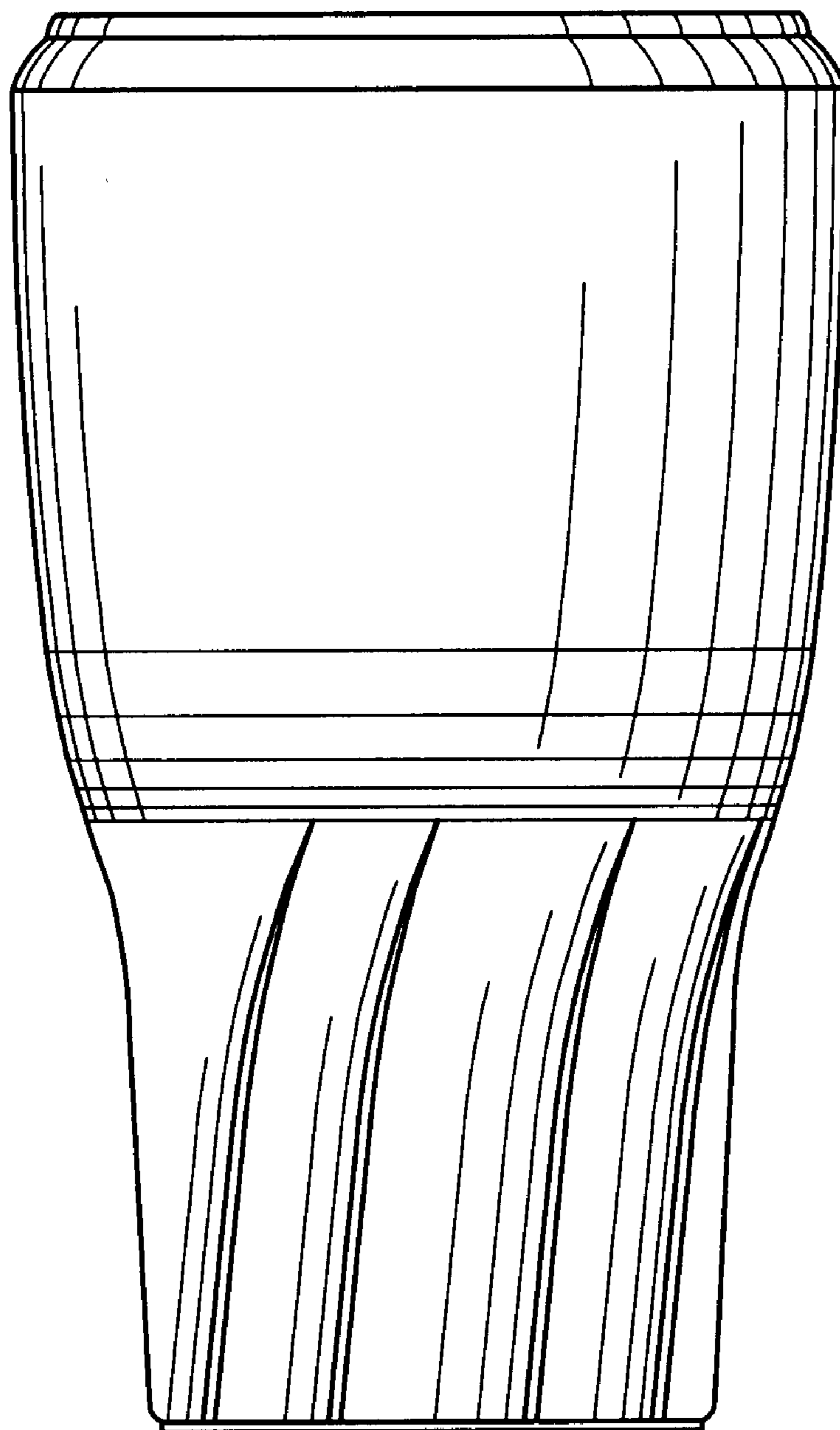


Fig. 4

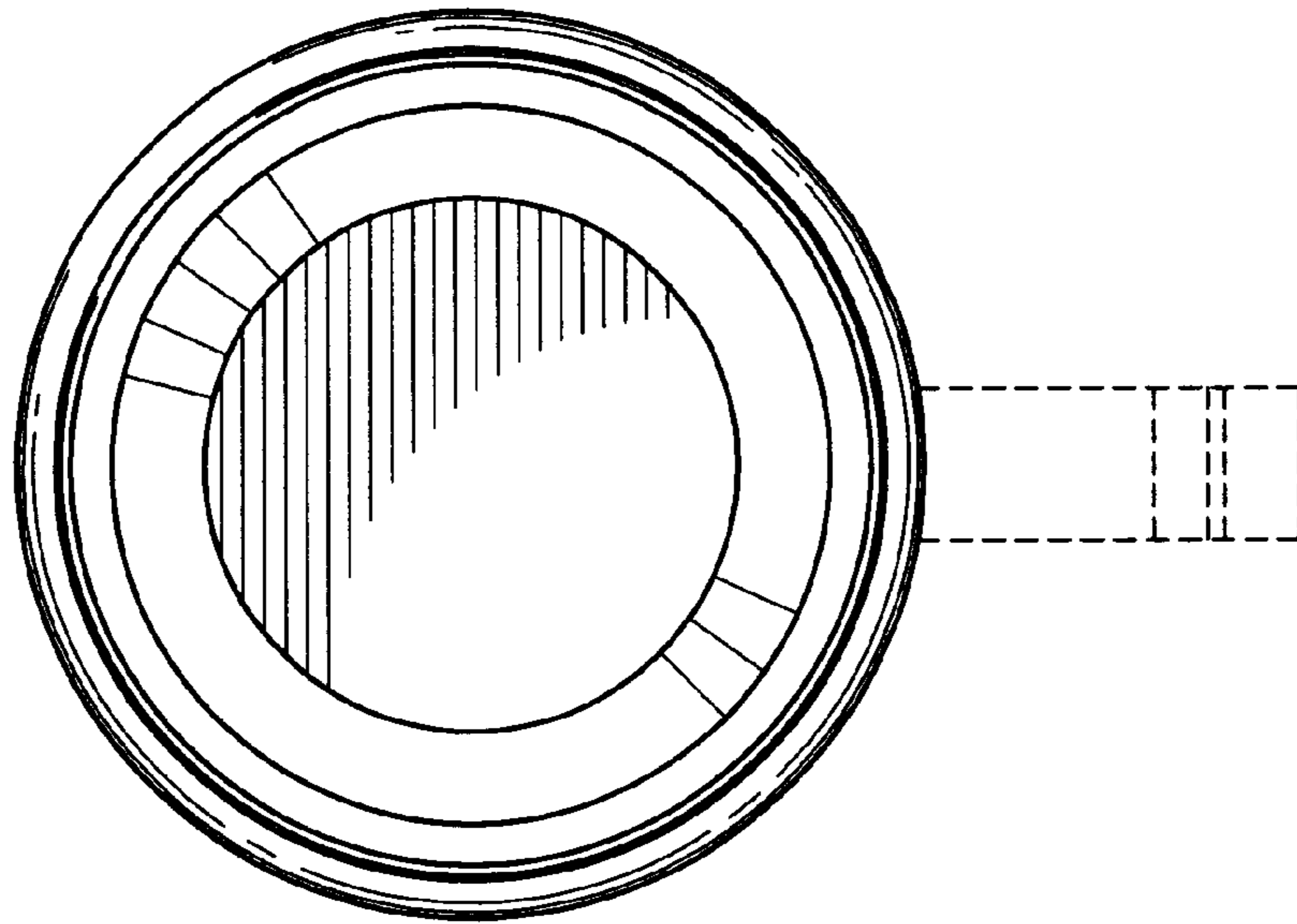


Fig. 5

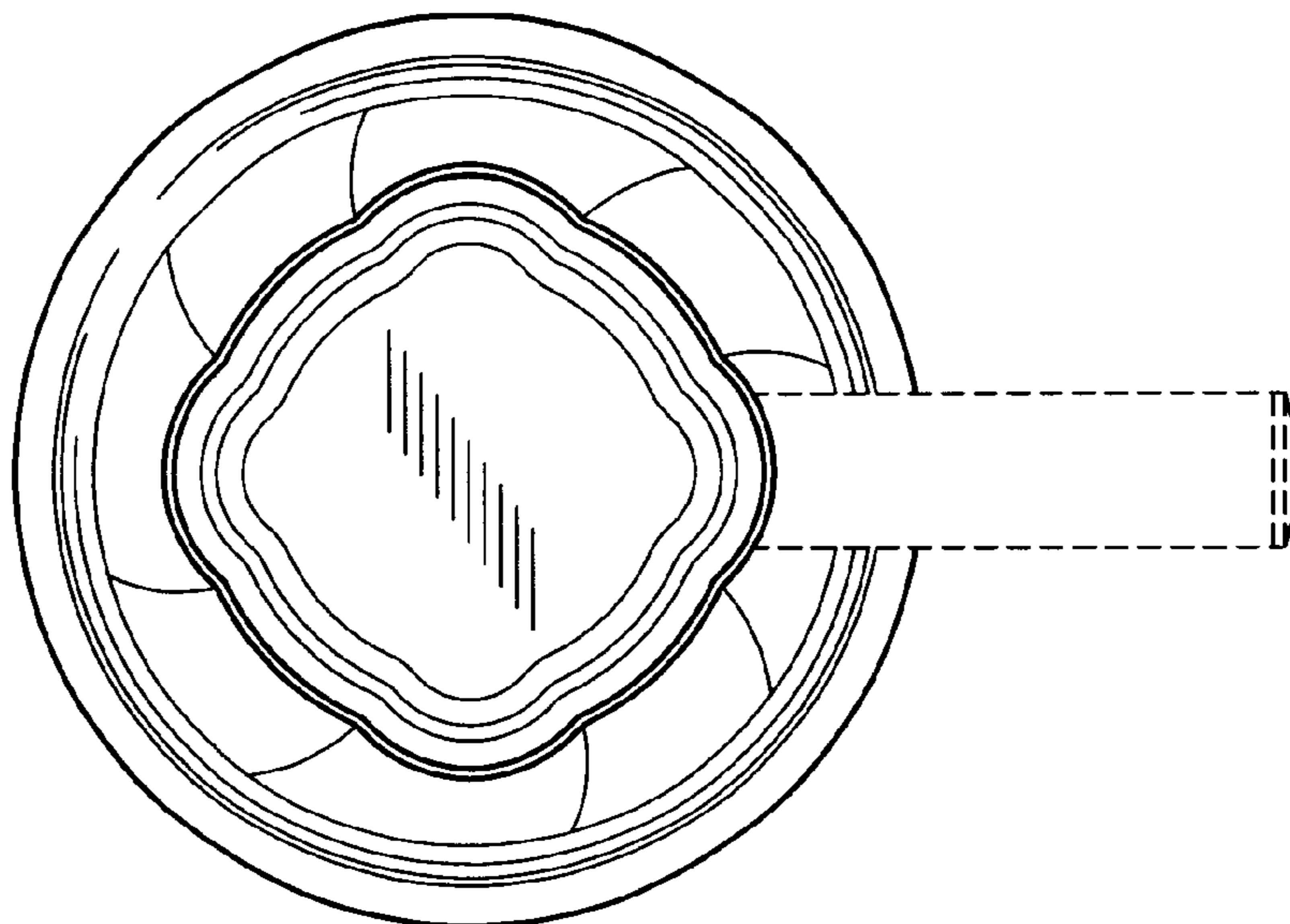


Fig. 6

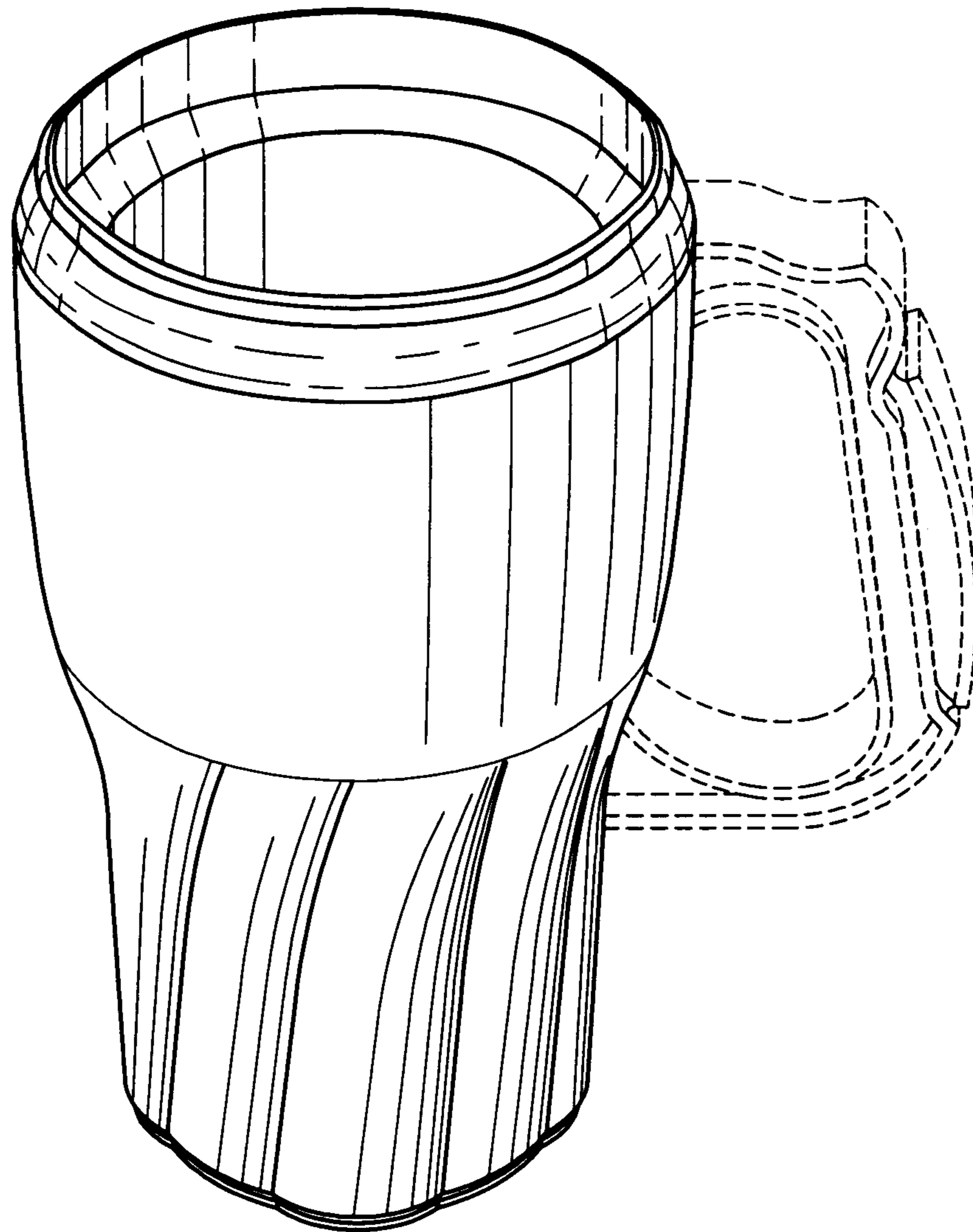


Fig. 7