



US00D525081S

(12) **United States Design Patent**
Munari

(10) **Patent No.:** **US D525,081 S**

(45) **Date of Patent:** **** Jul. 18, 2006**

(54) **COOKING CONTAINER HANDLE**

(75) Inventor: **Marco Munari**, Cardano Al Campo (IT)

(73) Assignee: **La Termoplastico F.B.M. S.R.L.**, Arsago Seprio (IT)

(**) Term: **14 Years**

(21) Appl. No.: **29/194,160**

(22) Filed: **Nov. 20, 2003**

(51) **LOC (8) Cl.** **07-02**

(52) **U.S. Cl.** **D7/395**

(58) **Field of Classification Search** D7/354–361,
D7/393–395, 401.2; D8/107, 307; D4/138,
D4/129; 16/430, 431, 110.1, 407; 220/573.1–573.5,
220/752, 753, 755, 756, 912

See application file for complete search history.

(56) **References Cited**

U.S. PATENT DOCUMENTS

4,761,851	A	*	8/1988	Day et al.	220/752
D384,243	S	*	9/1997	Nicollet	D7/395
D392,151	S	*	3/1998	Munari	D7/395
D411,077	S	*	6/1999	Kwok	D7/395
D417,121	S	*	11/1999	Brunianyn	D7/395
6,032,822	A	*	3/2000	Munari	220/573.1
D448,973	S	*	10/2001	Hay et al.	D7/395
D461,363	S	*	8/2002	Law	D7/395
D490,270	S	*	5/2004	Pippel et al.	D7/395
D491,016	S	*	6/2004	Rae	D7/395
D491,764	S	*	6/2004	Munari	D7/395
D494,038	S	*	8/2004	Shih	D8/107
D496,219	S	*	9/2004	Rae	D7/395
D508,631	S	*	8/2005	Cuillery	D7/395
D510,233	S	*	10/2005	Giannone	D7/395

* cited by examiner

Primary Examiner—Holly Baynham

Assistant Examiner—Cynthia M. Chin

(74) *Attorney, Agent, or Firm*—Ladas and Parry LLP

(57) **CLAIM**

The ornamental design for a cooking container handle, as shown.

DESCRIPTION

FIG. 1 is a top plan view, of a first embodiment of a cooking container handle showing my new design;

FIG. 2 is a left side elevation view of the cooking container handle of FIG. 1;

FIG. 3 is a right side elevation view of the cooking container handle of FIG. 1;

FIG. 4 is a bottom plan view of the cooking container handle of FIG. 1;

FIG. 5 is a front elevation view of the cooking container handle of FIG. 1;

FIG. 6 is a rear elevation view of the cooking container handle of FIG. 1;

FIG. 7 is a perspective view of the cooking container handle of FIG. 1;

FIG. 8 is a top plan view of a second embodiment of a cooking container handle showing my new design;

FIG. 9 is a left container handle of Figure side elevation view of the cooking container handle of FIG. 8;

FIG. 10 is a right side elevation view of the cooking container handle of FIG. 8;

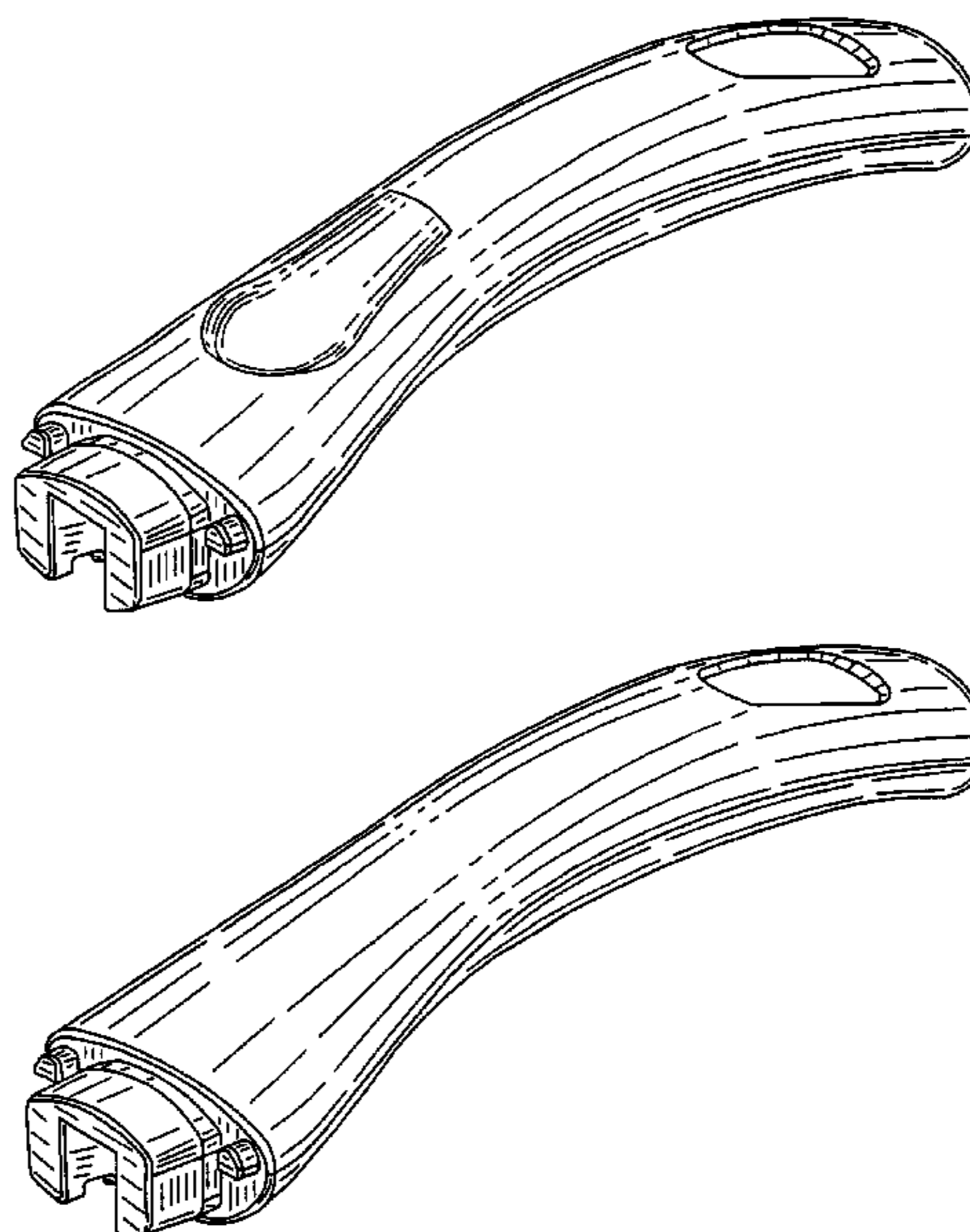
FIG. 11 is a bottom plan view of the cooking container handle of FIG. 8;

FIG. 12 is a front elevation view of the cooking container handle of FIG. 8;

FIG. 13 is a rear elevation view of the cooking container handle of FIG. 8; and,

FIG. 14 is a perspective view of the cooking container handle of FIG. 8.

1 Claim, 4 Drawing Sheets



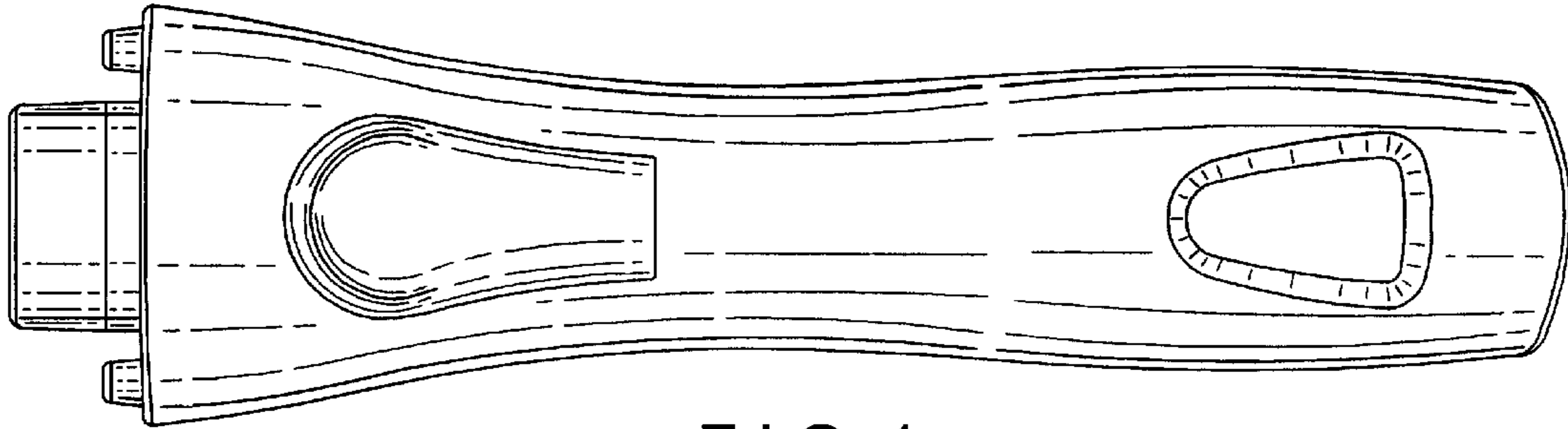


FIG. 1

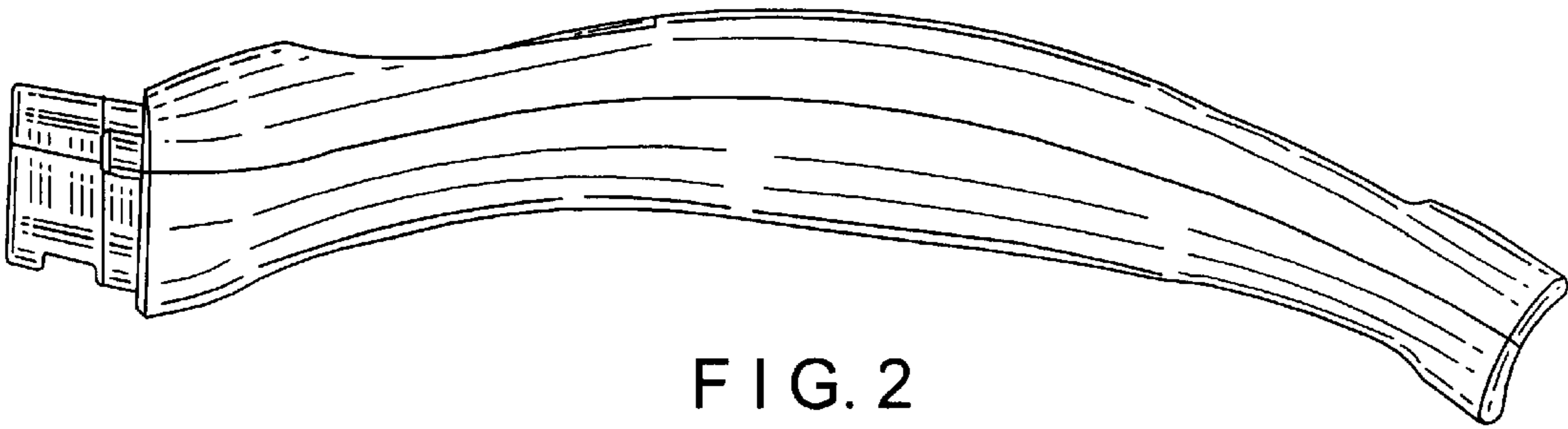


FIG. 2

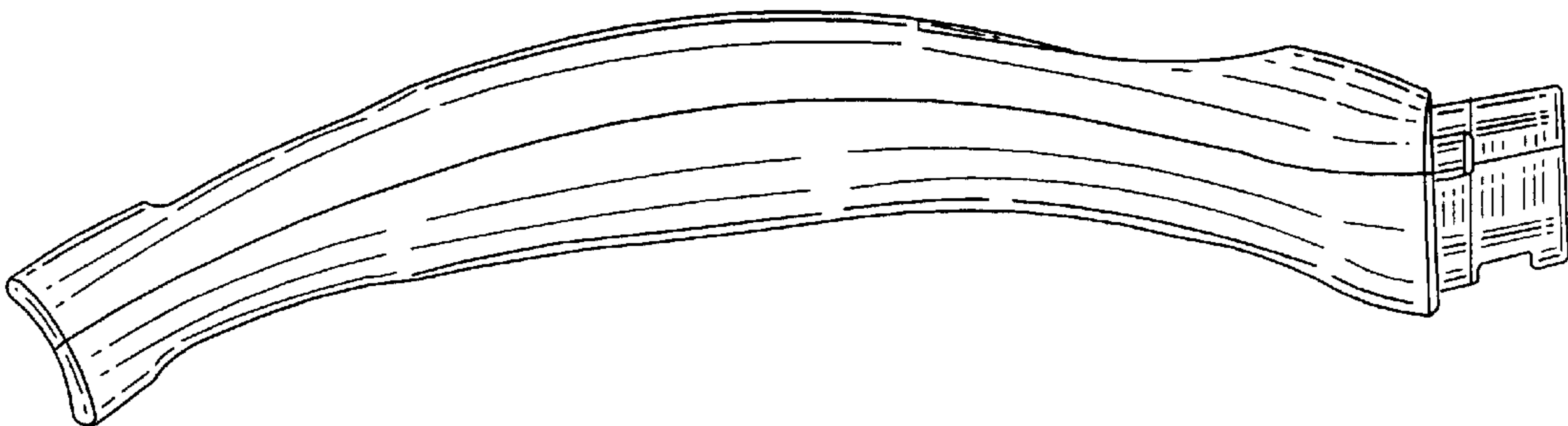


FIG. 3

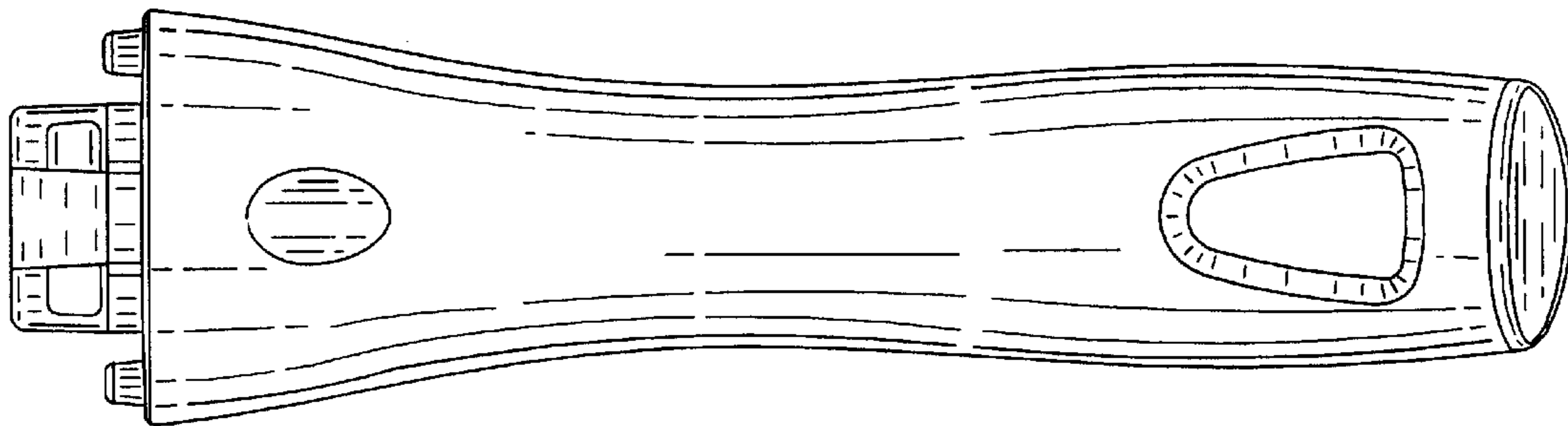


FIG. 4

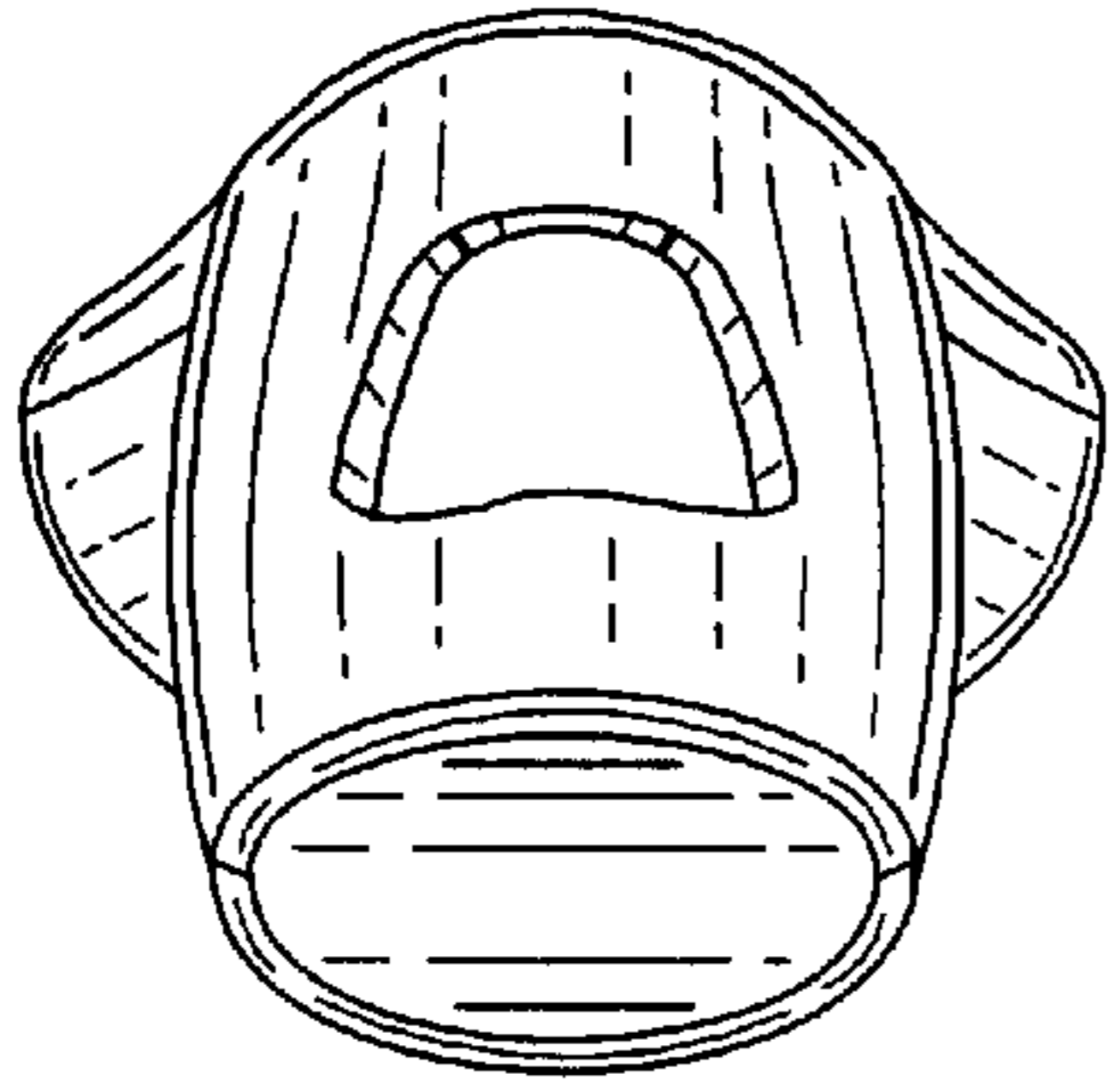


FIG. 5

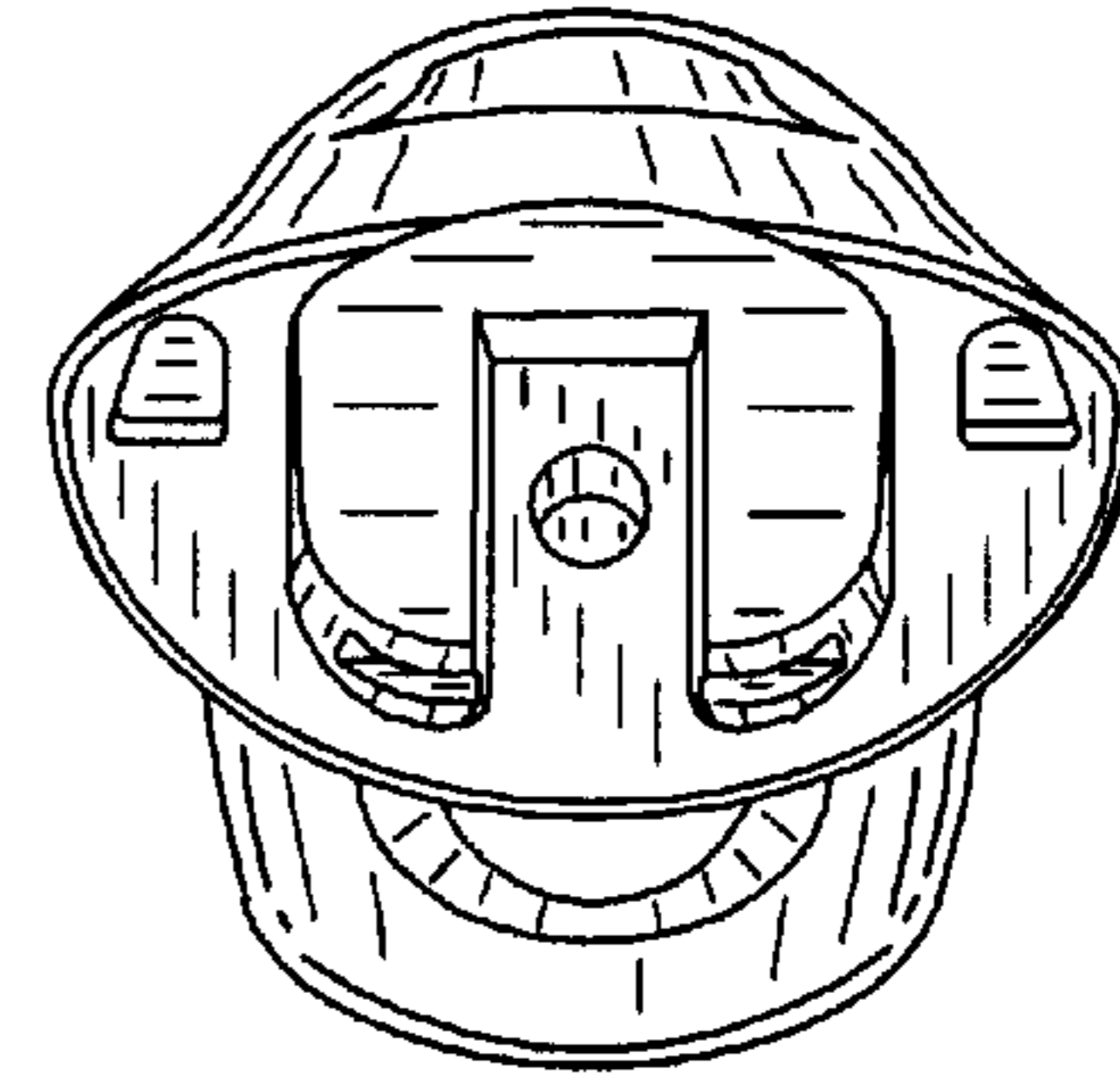


FIG. 6

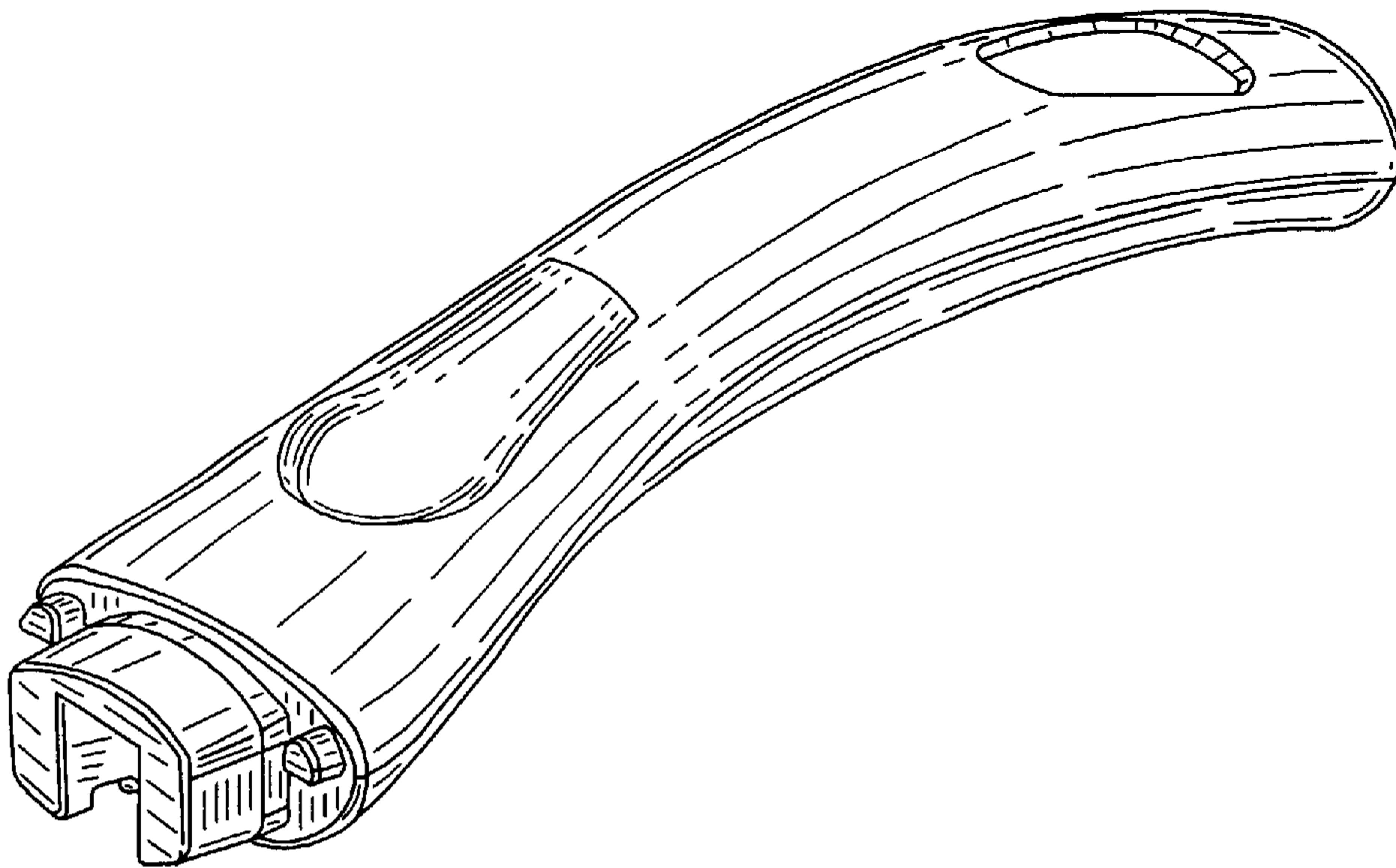


FIG. 7



FIG. 8

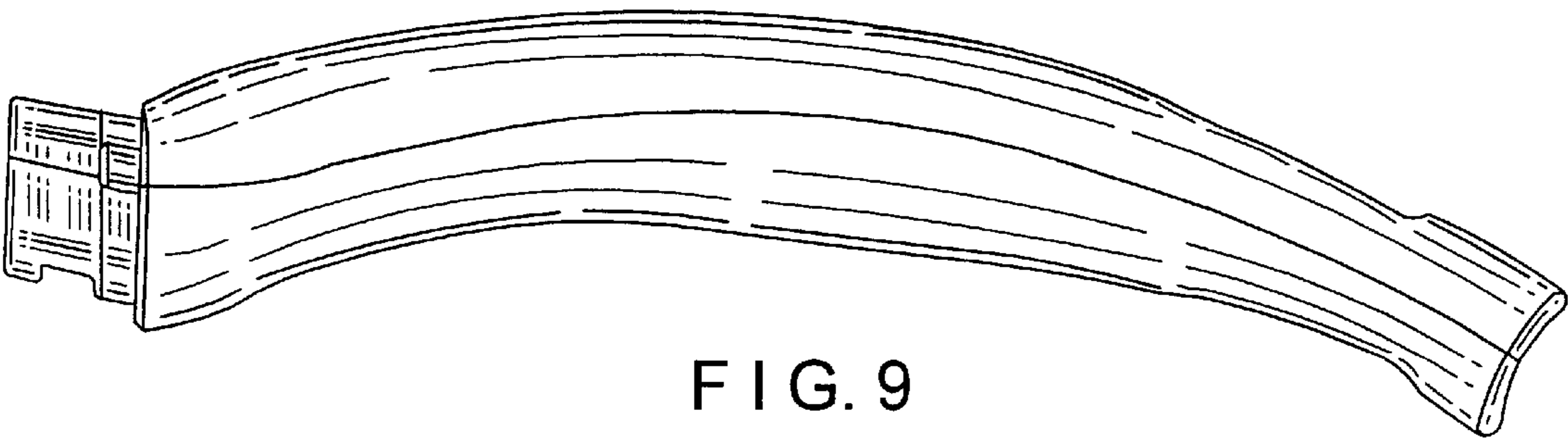


FIG. 9



FIG. 10

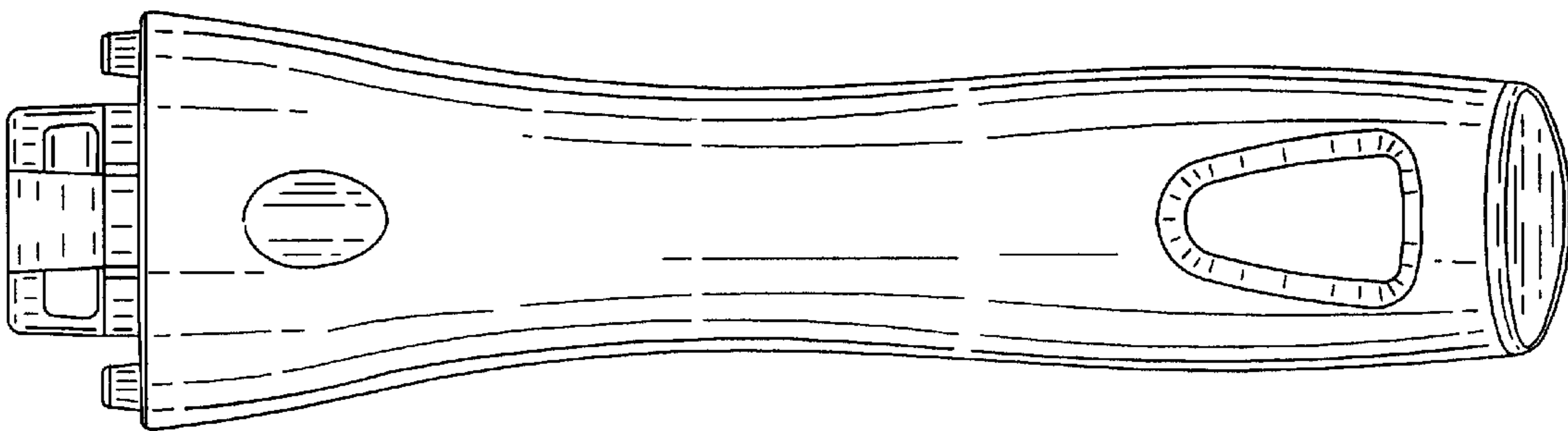


FIG. 11

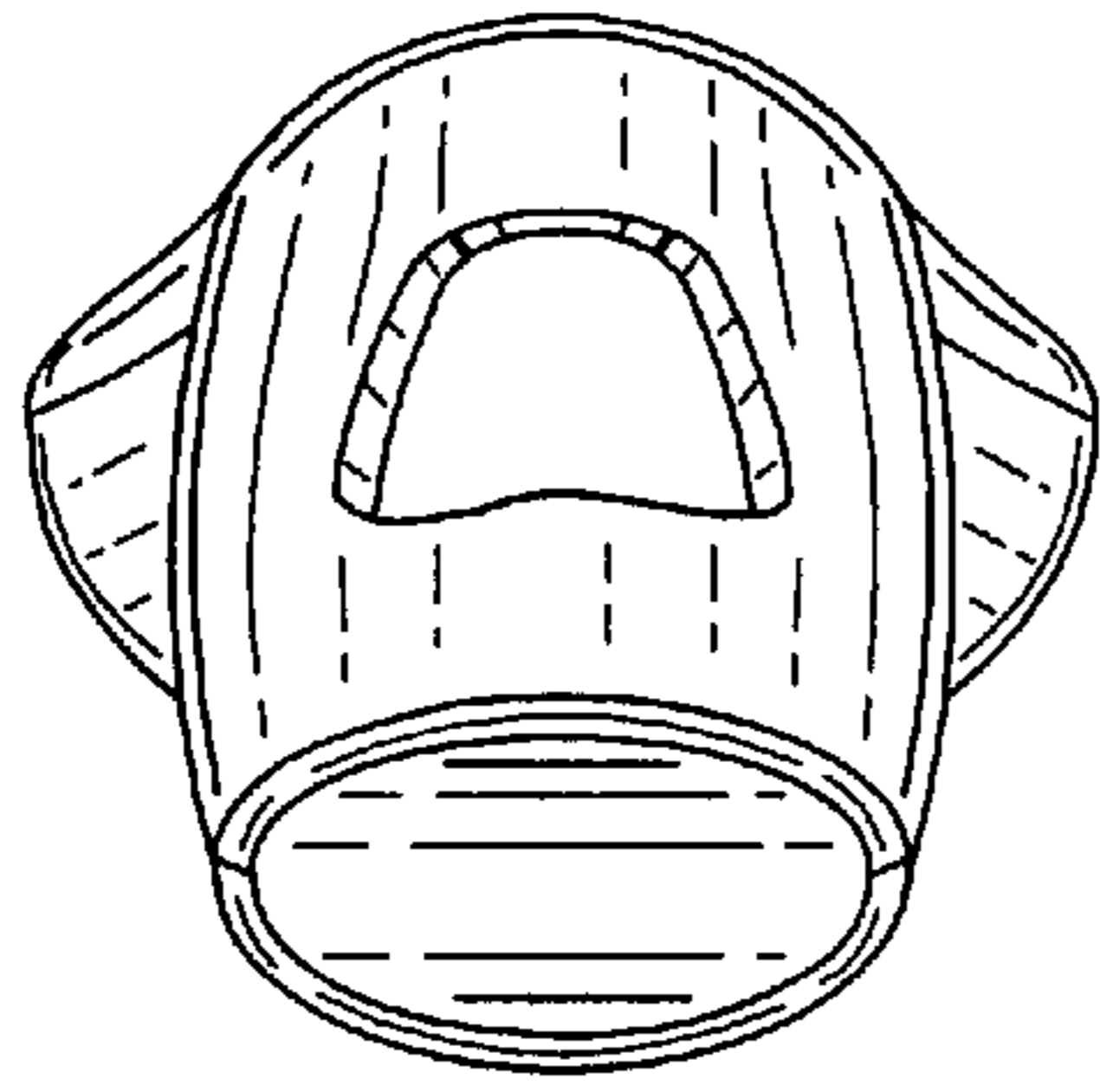


FIG. 12

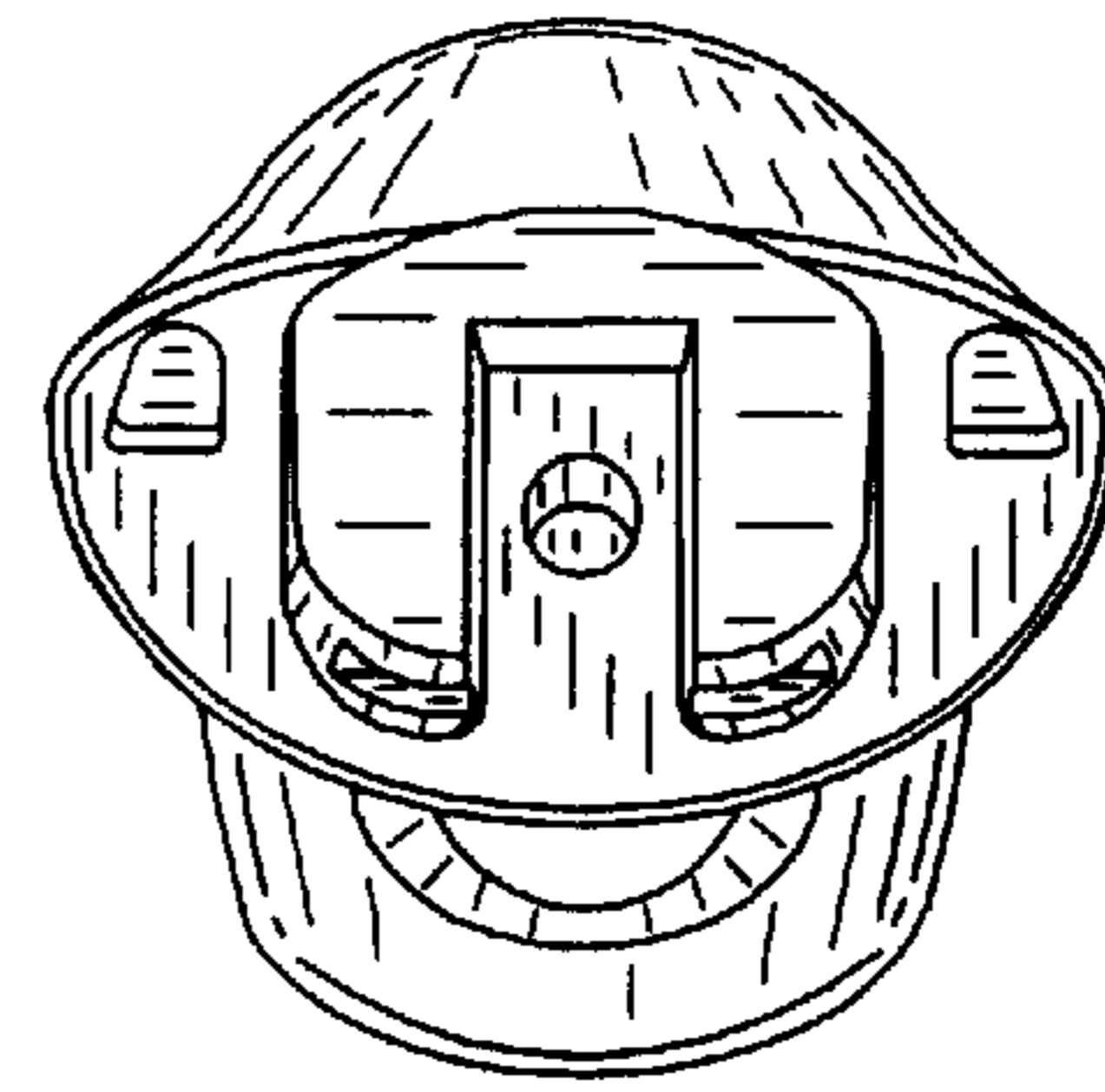


FIG. 13

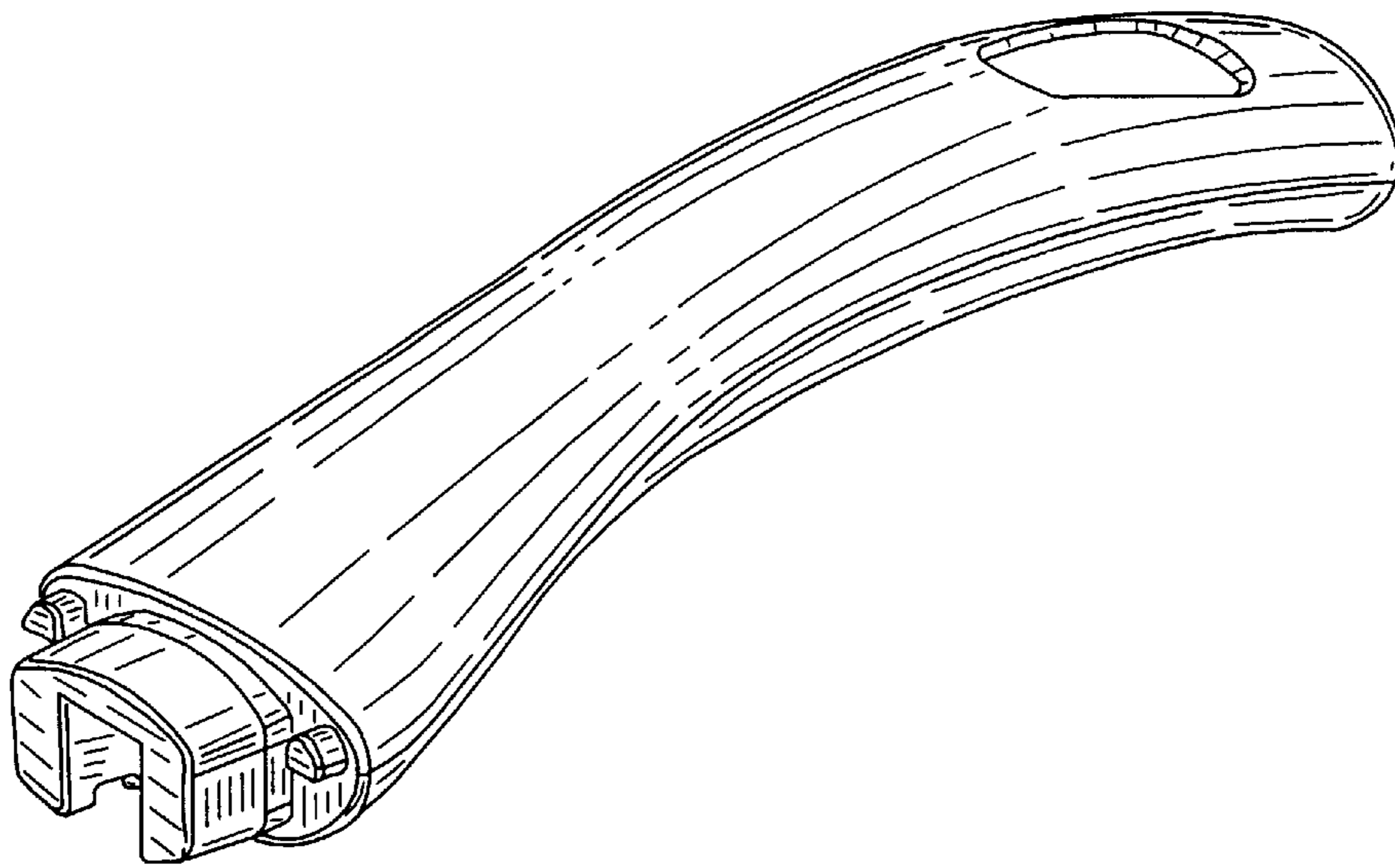


FIG. 14