



US00D525079S

(12) **United States Design Patent**  
**Munari**

(10) **Patent No.:** **US D525,079 S**

(45) **Date of Patent:** **\*\* Jul. 18, 2006**

(54) **SAUCEPAN HANDLE**

(75) Inventor: **Marco Munari**, Cardano al Campo (IT)

(73) Assignee: **La Termoplastico F.B.M. S.r.l.**, Arsago  
Seprio (IT)

(\*\*) Term: **14 Years**

(21) Appl. No.: **29/224,072**

(22) Filed: **Feb. 24, 2005**

(30) **Foreign Application Priority Data**

Aug. 26, 2004 (EM) ..... 000220777

(51) **LOC (8) Cl.** ..... **07-02**

(52) **U.S. Cl.** ..... **D7/394**

(58) **Field of Classification Search** ..... D7/354-361,  
D7/393-395, 401.2; D8/107, 307; D4/138,  
D4/129; 16/430, 431, 110.1, 407; 220/573.1-573.5,  
220/752, 753, 755, 756, 912

See application file for complete search history.

(56) **References Cited**

**U.S. PATENT DOCUMENTS**

D262,551 S	*	1/1982	Argandona	.....	D8/307
D348,178 S	*	6/1994	Munari	.....	D7/394
D391,444 S	*	3/1998	Munari	.....	D7/394
D410,817 S	*	6/1999	Brunianyn	.....	D7/393
D461,092 S	*	8/2002	Coudurier	.....	D7/393
D461,094 S	*	8/2002	Coudurier	.....	D7/394
D462,570 S	*	9/2002	Munari	.....	D7/394
D470,011 S	*	2/2003	Munari	.....	D7/394

D496,557 S	*	9/2004	Munari	.....	D7/394
D505,268 S	*	5/2005	Potempa	.....	D4/129

\* cited by examiner

*Primary Examiner*—Holly Baynham

*Assistant Examiner*—Cynthia M. Chin

(74) *Attorney, Agent, or Firm*—Ladas & Parry

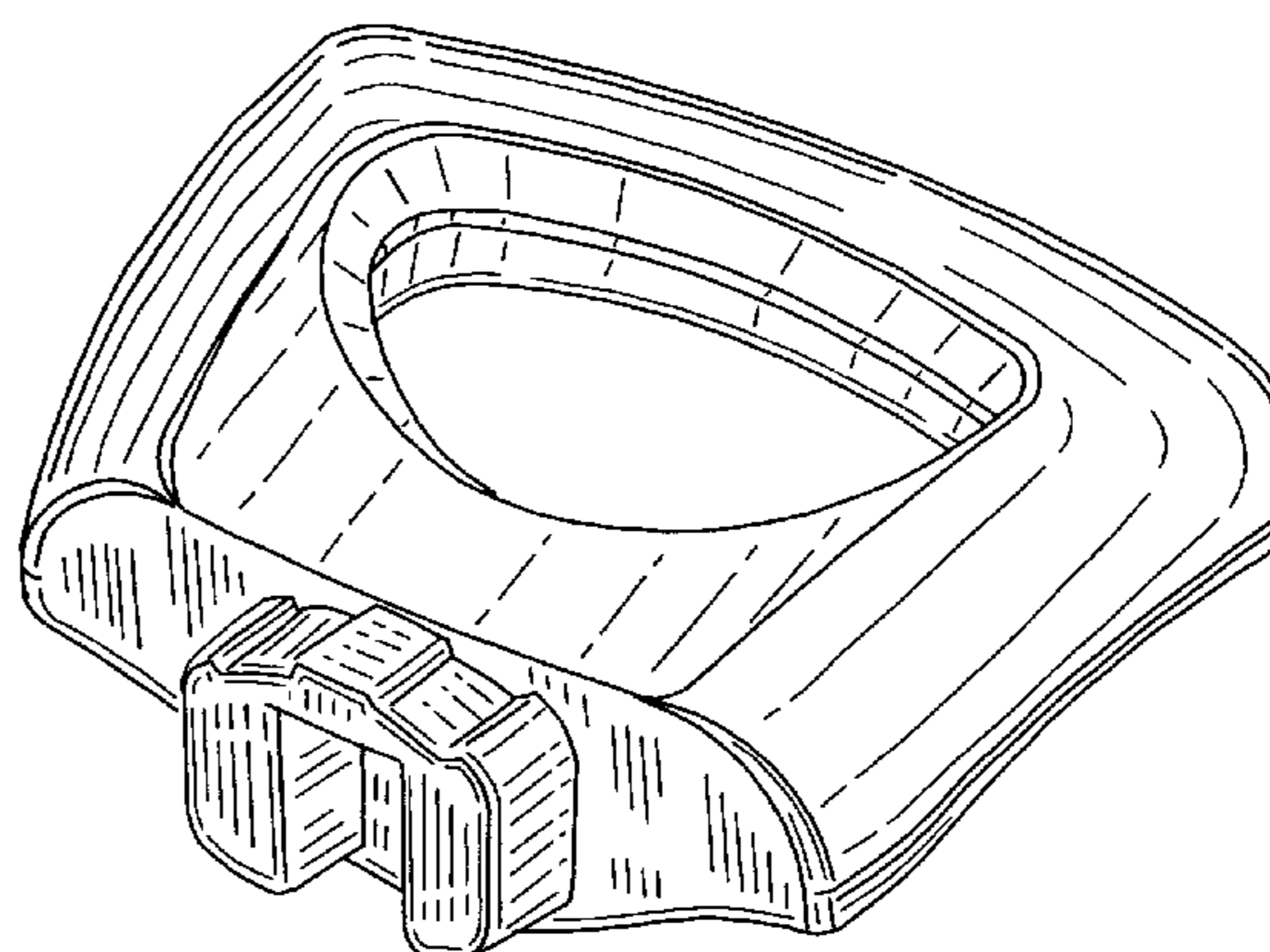
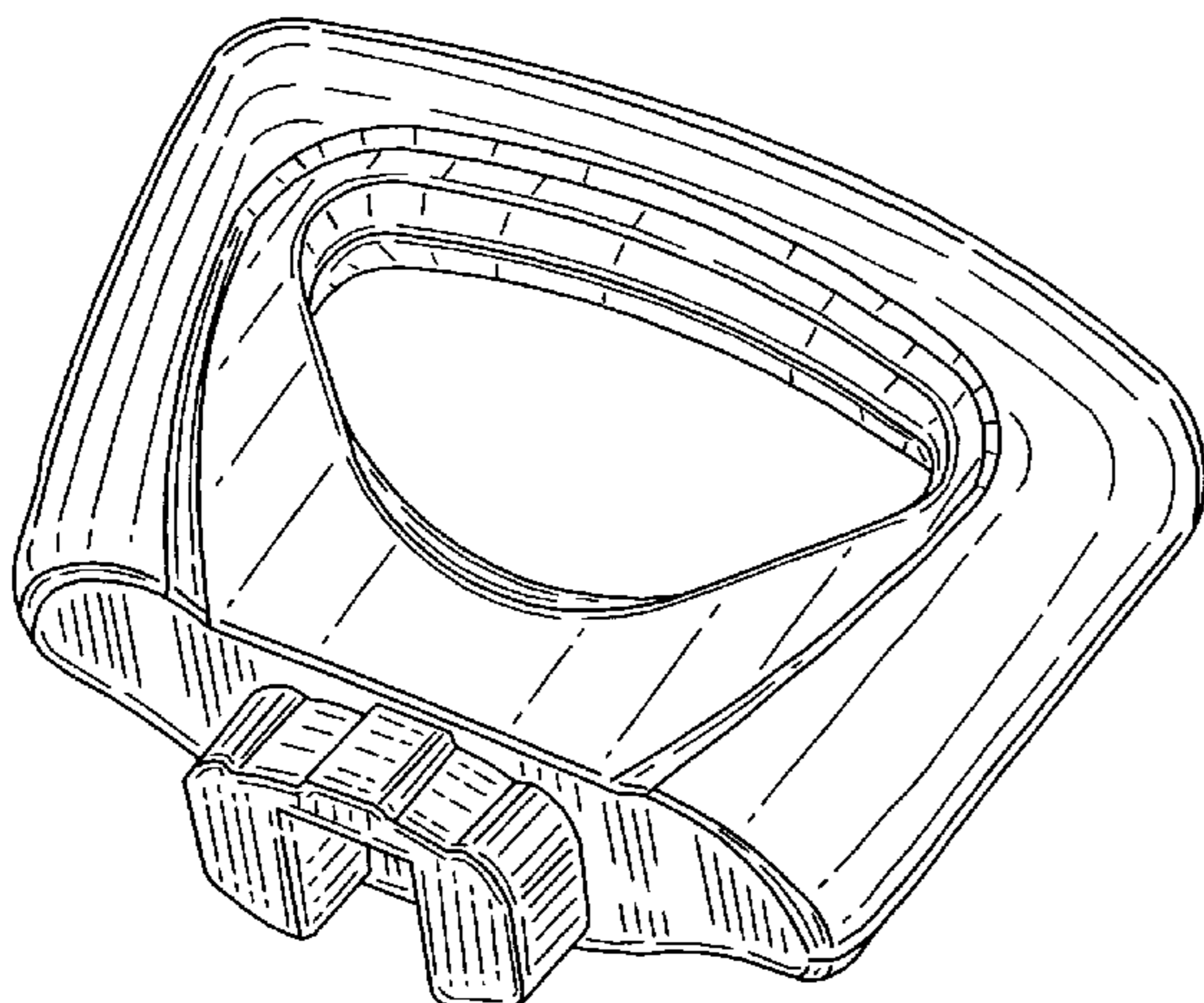
(57) **CLAIM**

The ornamental design for a saucepan handle, as shown and described.

**DESCRIPTION**

FIG. 1 is a front elevation view of a first embodiment of a saucepan handle showing my new design;  
 FIG. 2 is a rear elevation view of FIG. 1;  
 FIG. 3 is a top plan view of FIG. 1;  
 FIG. 4 is a bottom plan view of FIG. 1;  
 FIG. 5 is a left side elevation view of FIG. 1; the right side view being a mirror image thereof;  
 FIG. 6 is a front/bottom perspective view of FIG. 1;  
 FIG. 7 is a rear/top perspective view of FIG. 1;  
 FIG. 8 is a front elevation view of a second embodiment of a saucepan handle showing my new design;  
 FIG. 9 is a rear elevation view of FIG. 8;  
 FIG. 10 is a top plan view of FIG. 8;  
 FIG. 11 is a bottom plan view of FIG. 8;  
 FIG. 12 is a left side elevation view of FIG. 8; the right side view being a mirror image thereof;  
 FIG. 13 is a front/bottom perspective view of FIG. 8; and,  
 FIG. 14 is a rear/top perspective view of FIG. 8.

**1 Claim, 4 Drawing Sheets**



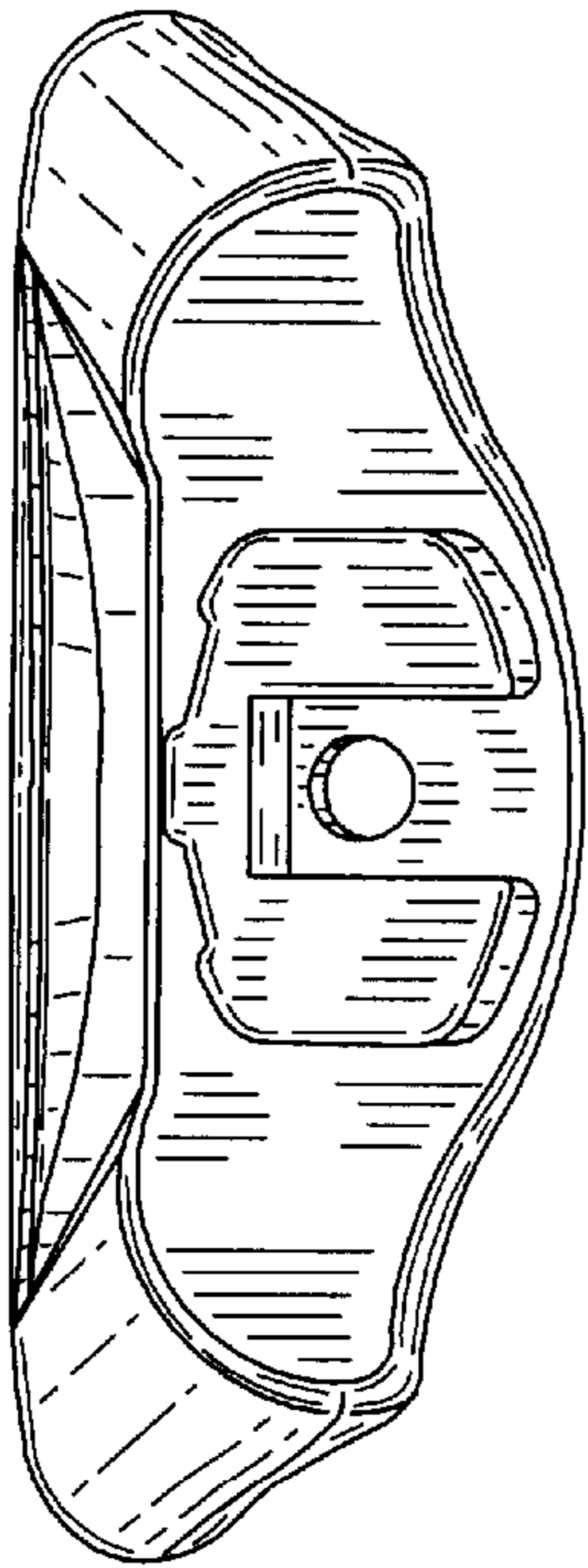


FIG. 1

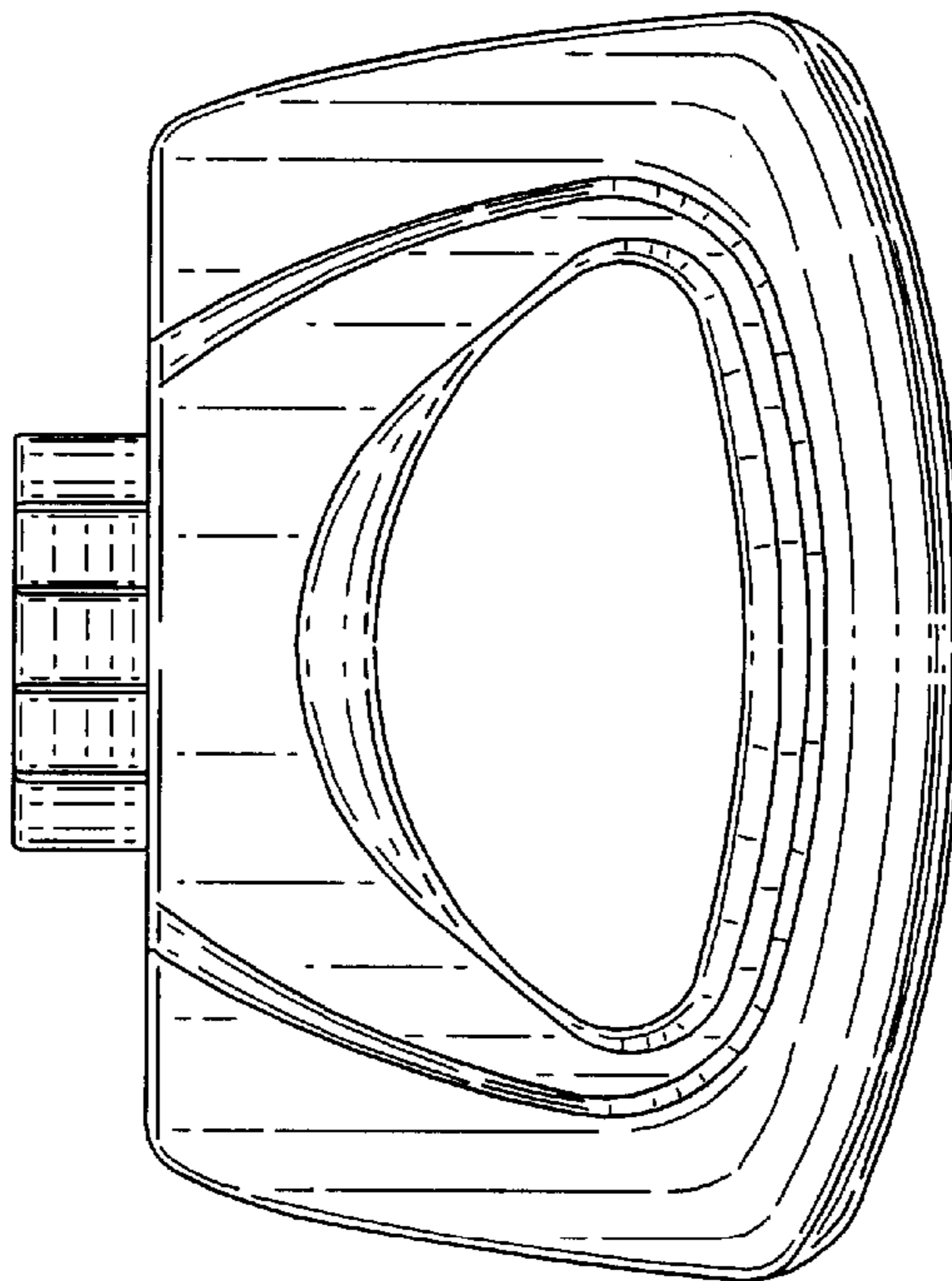


FIG. 2

FIG. 3

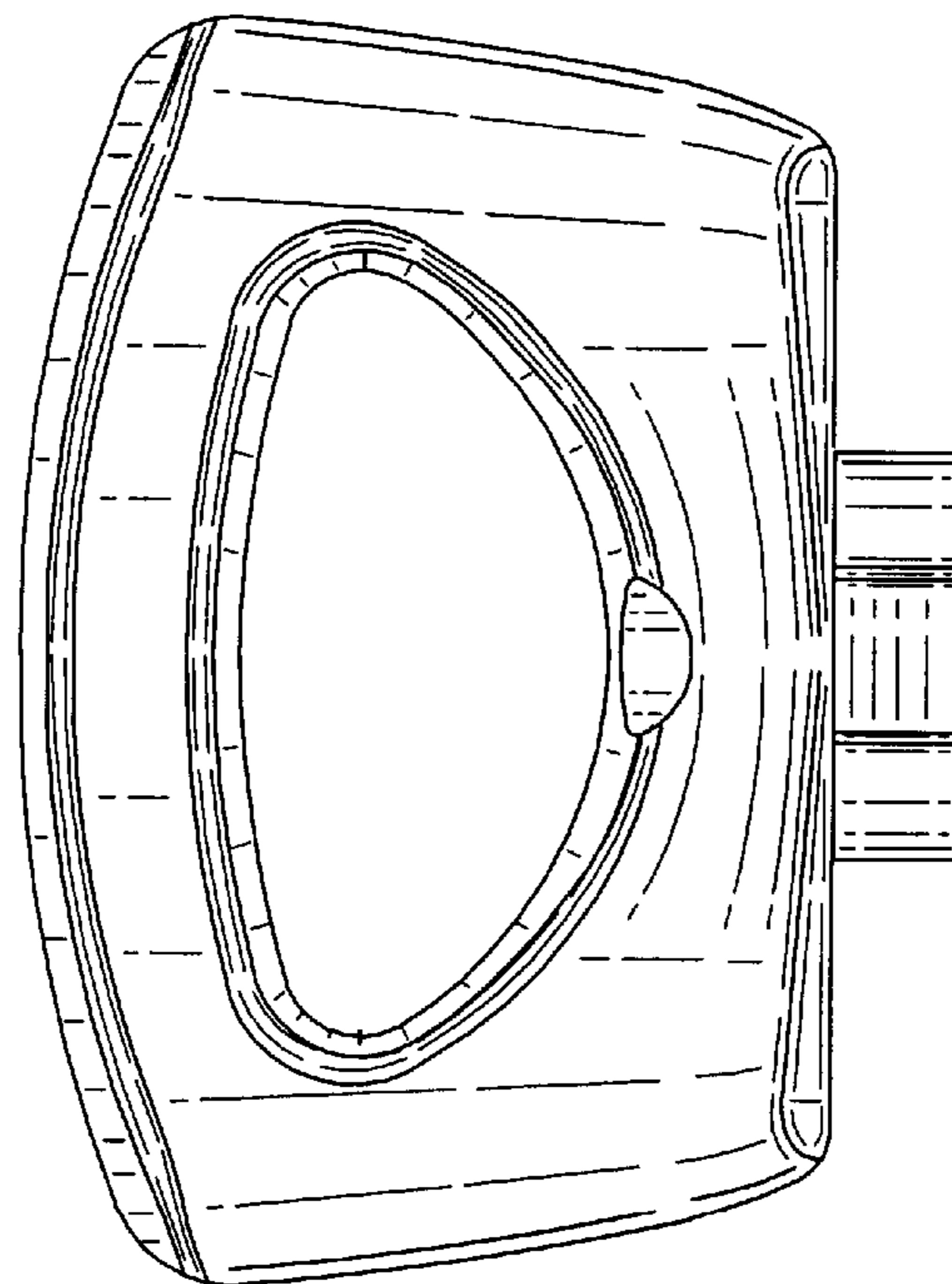
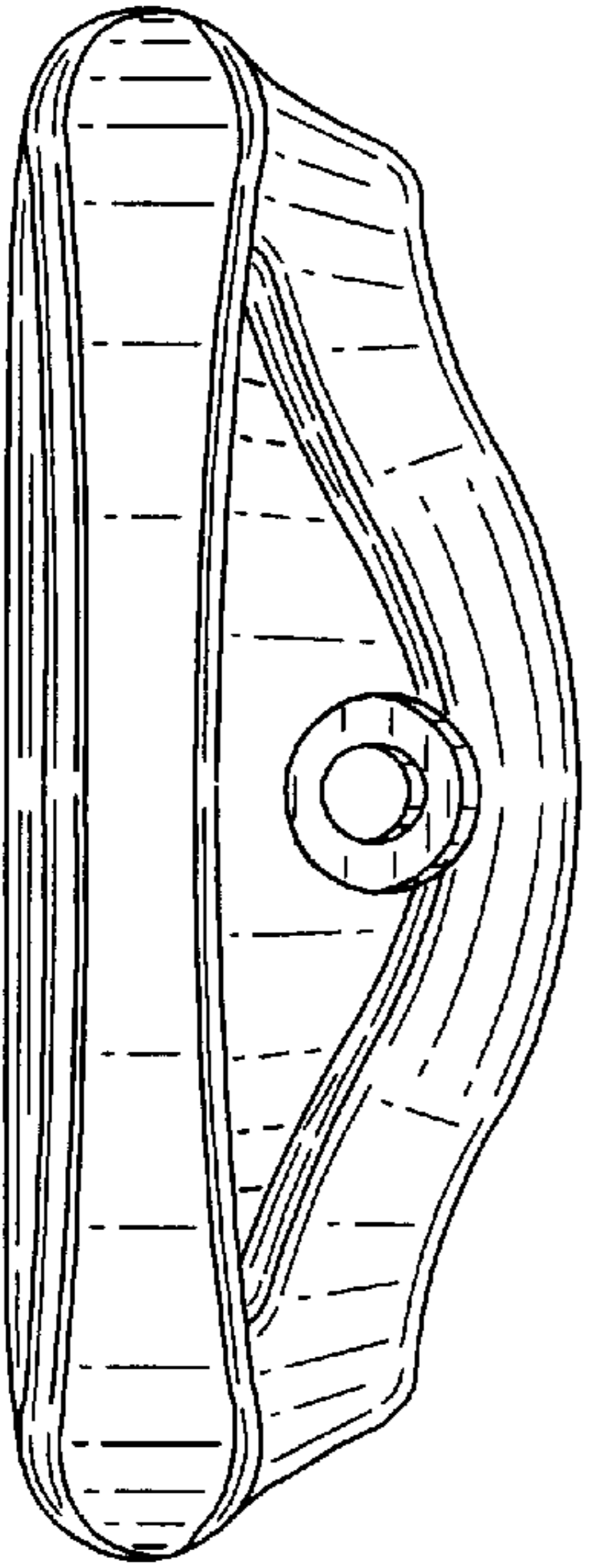


FIG. 4

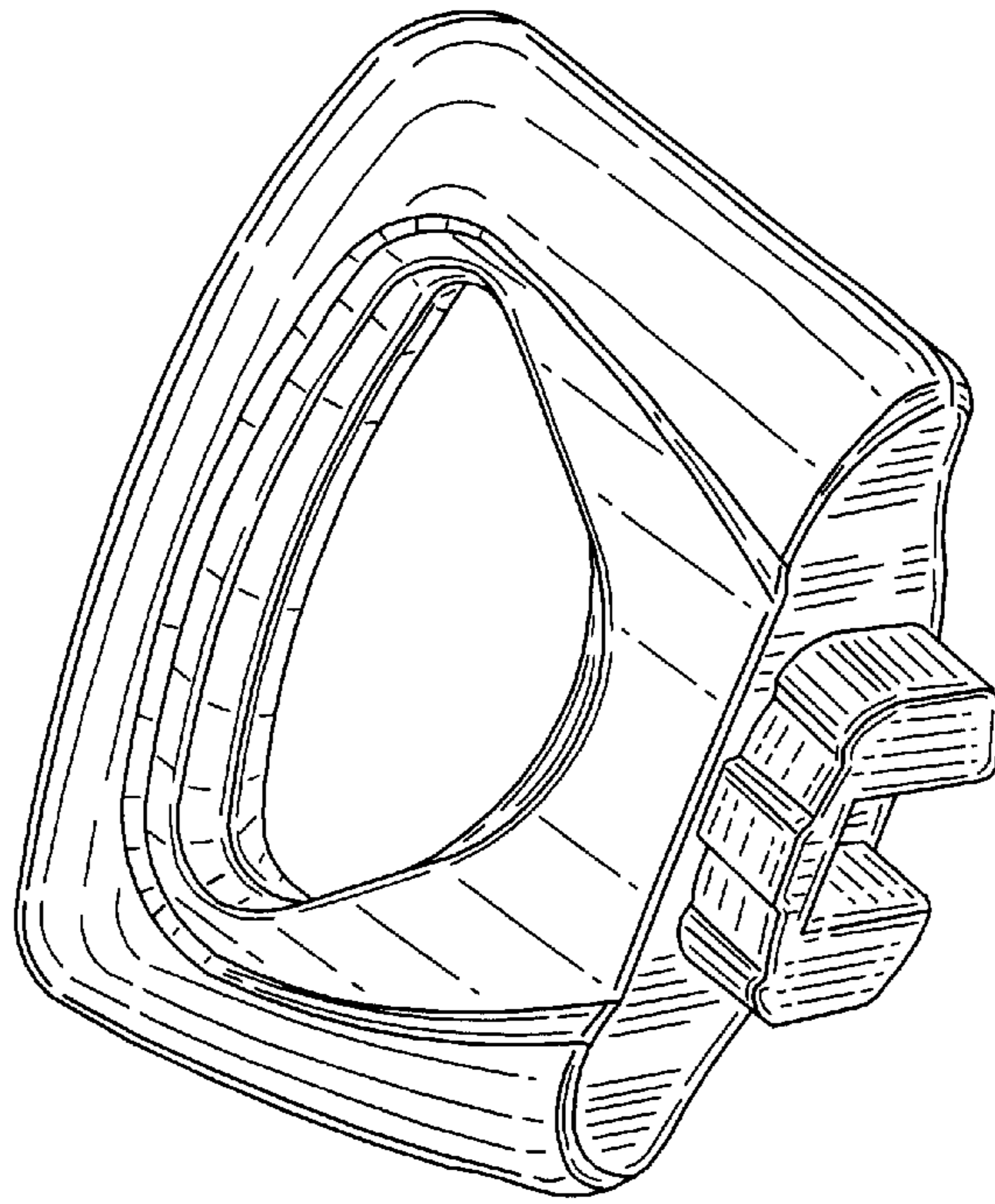


FIG. 7

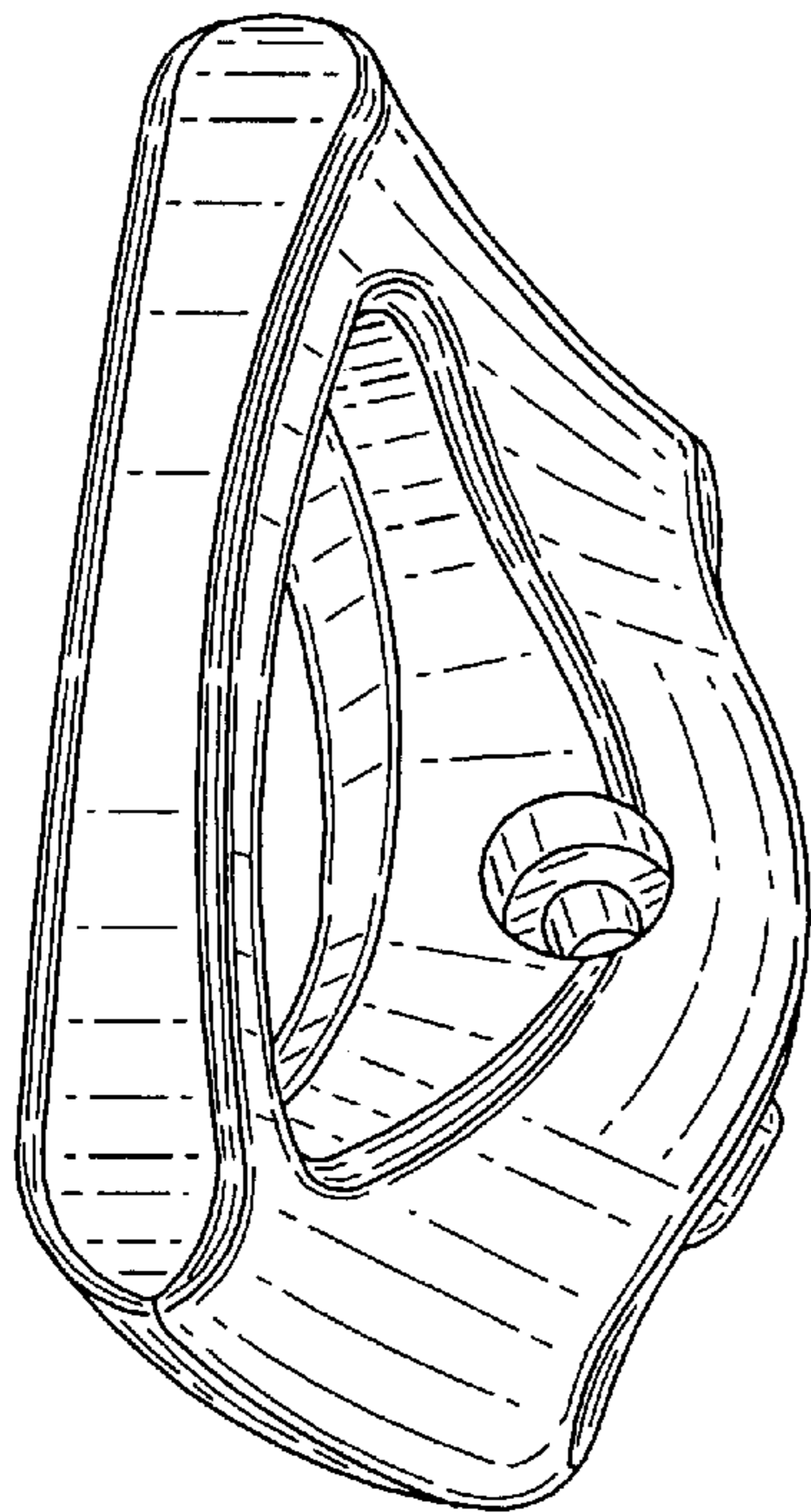


FIG. 6

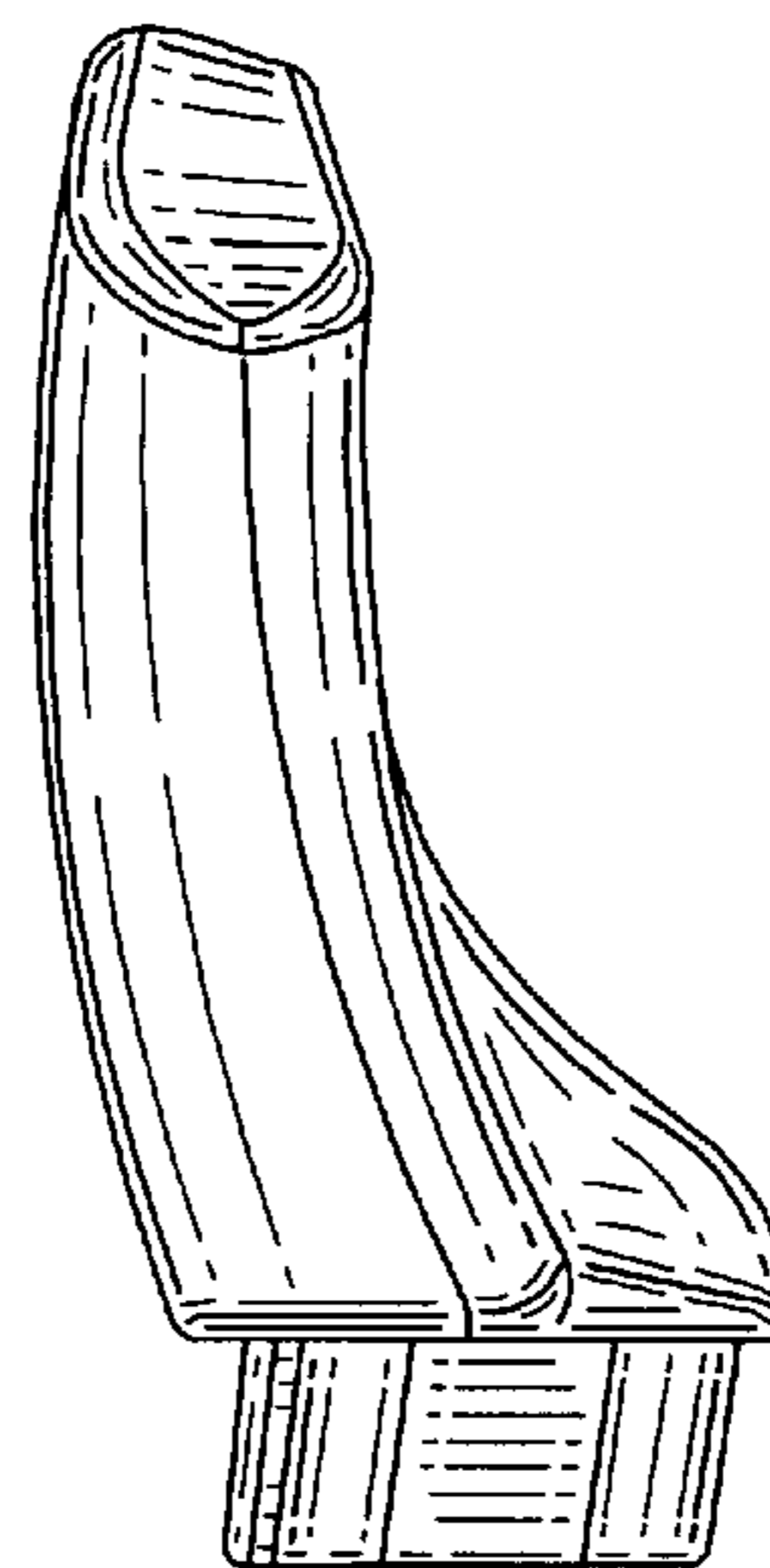


FIG. 5

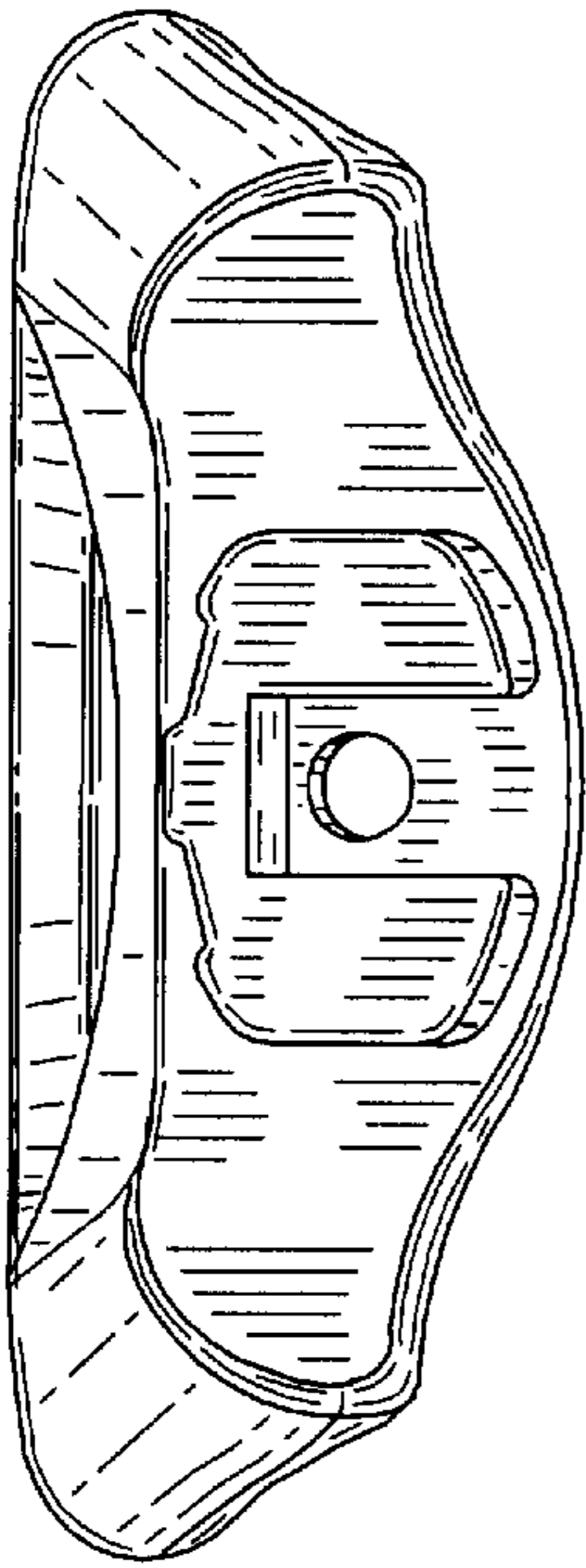


FIG. 9

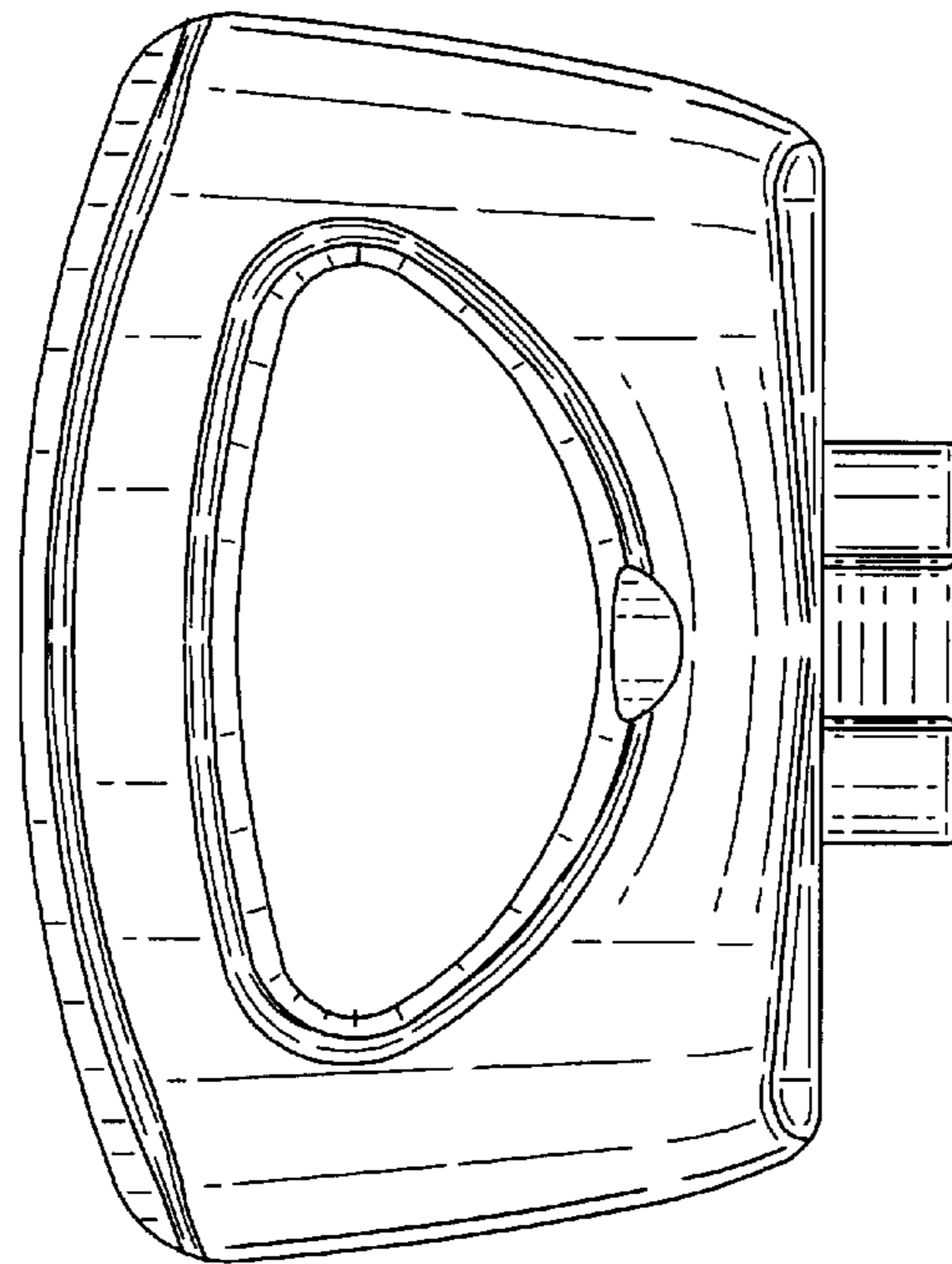


FIG. 11

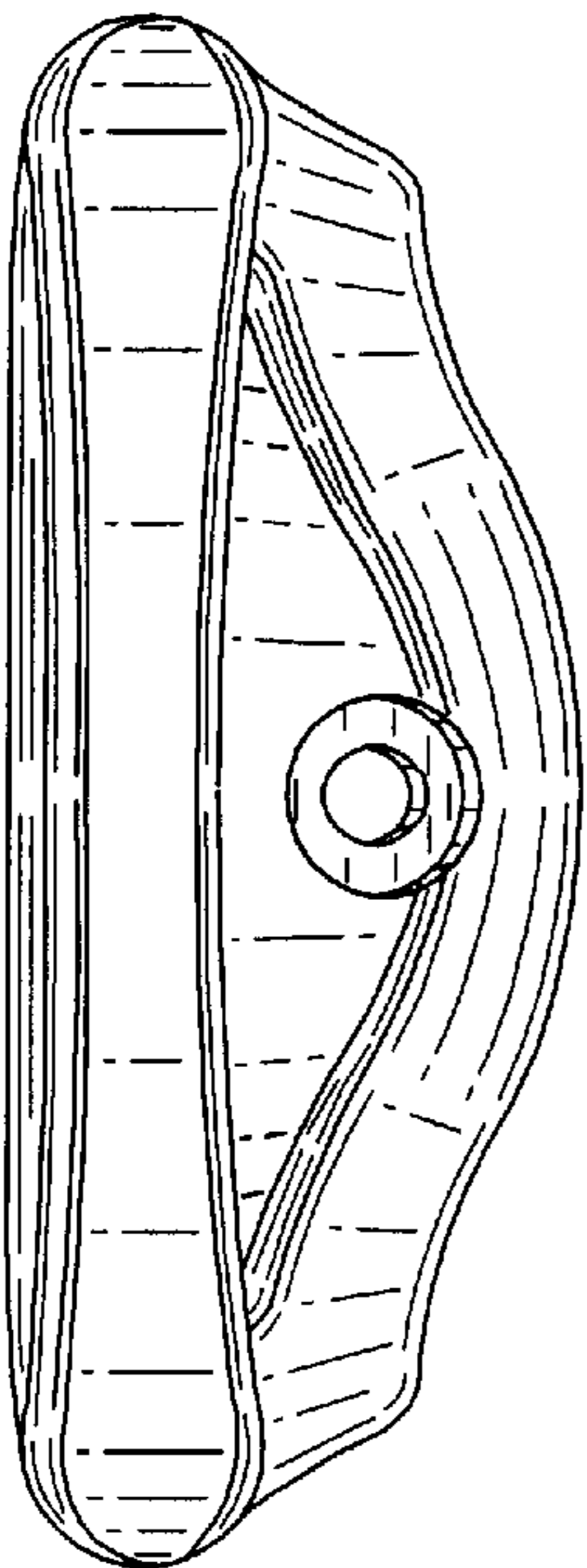


FIG. 8

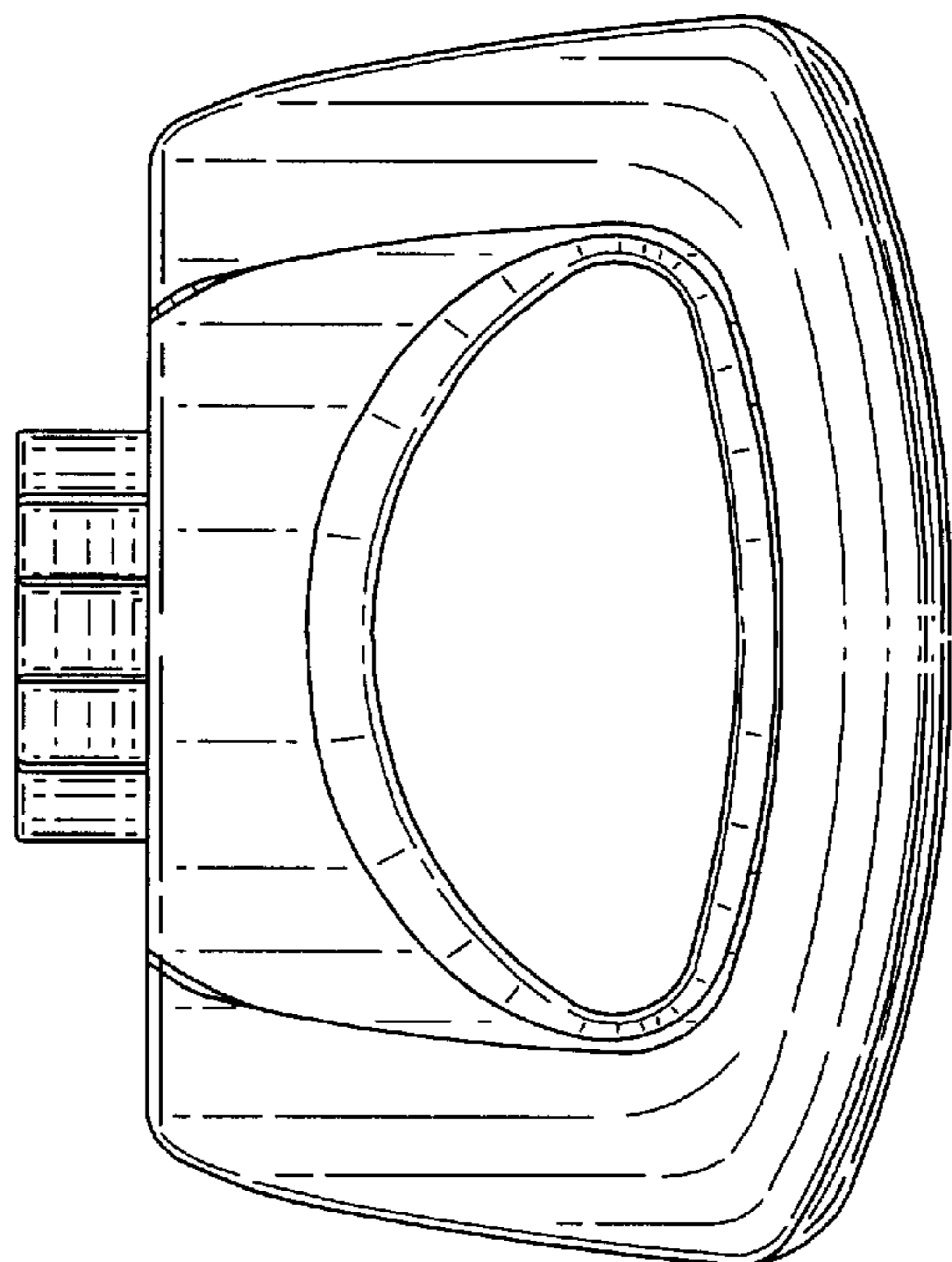


FIG. 10

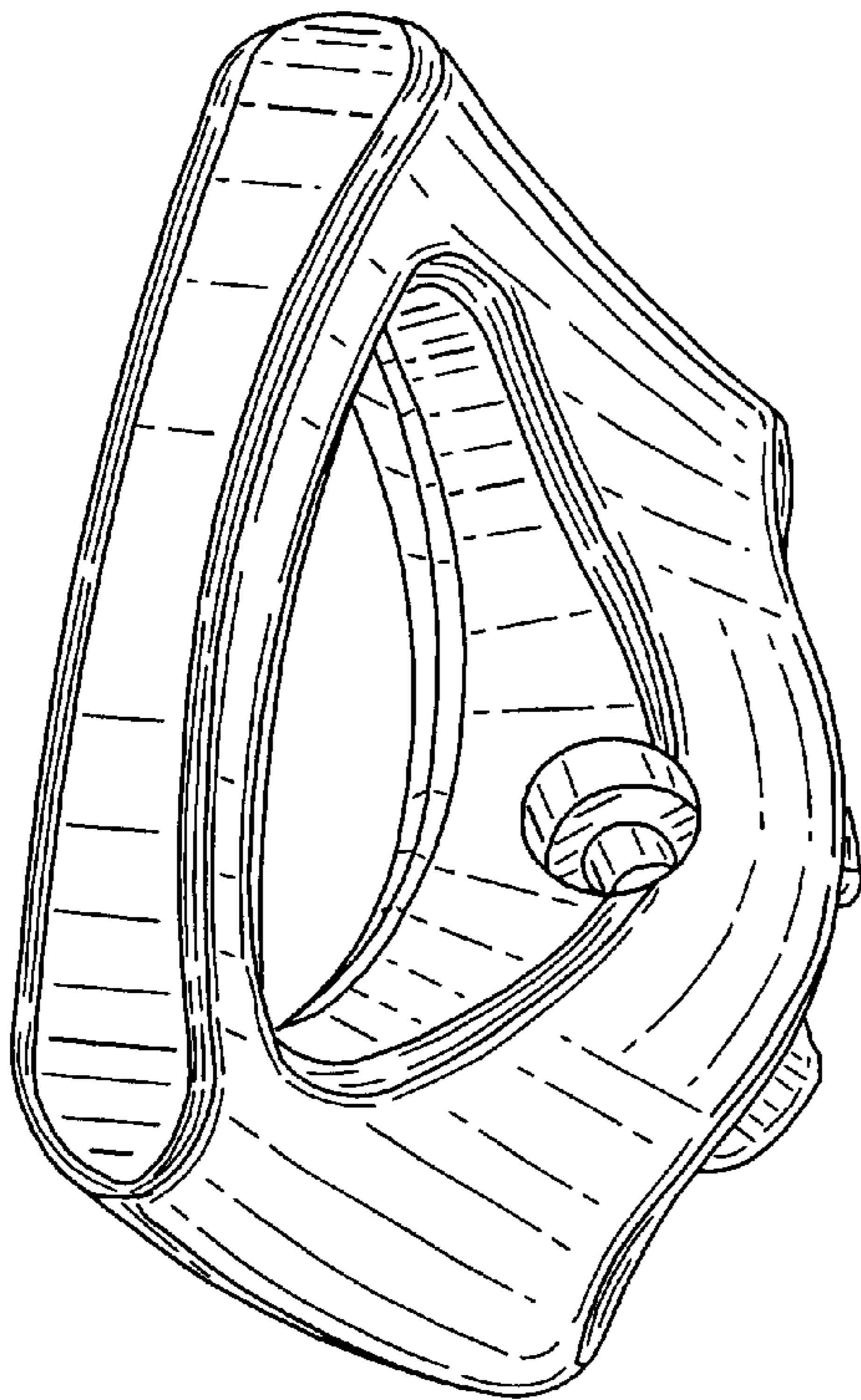


FIG. 13

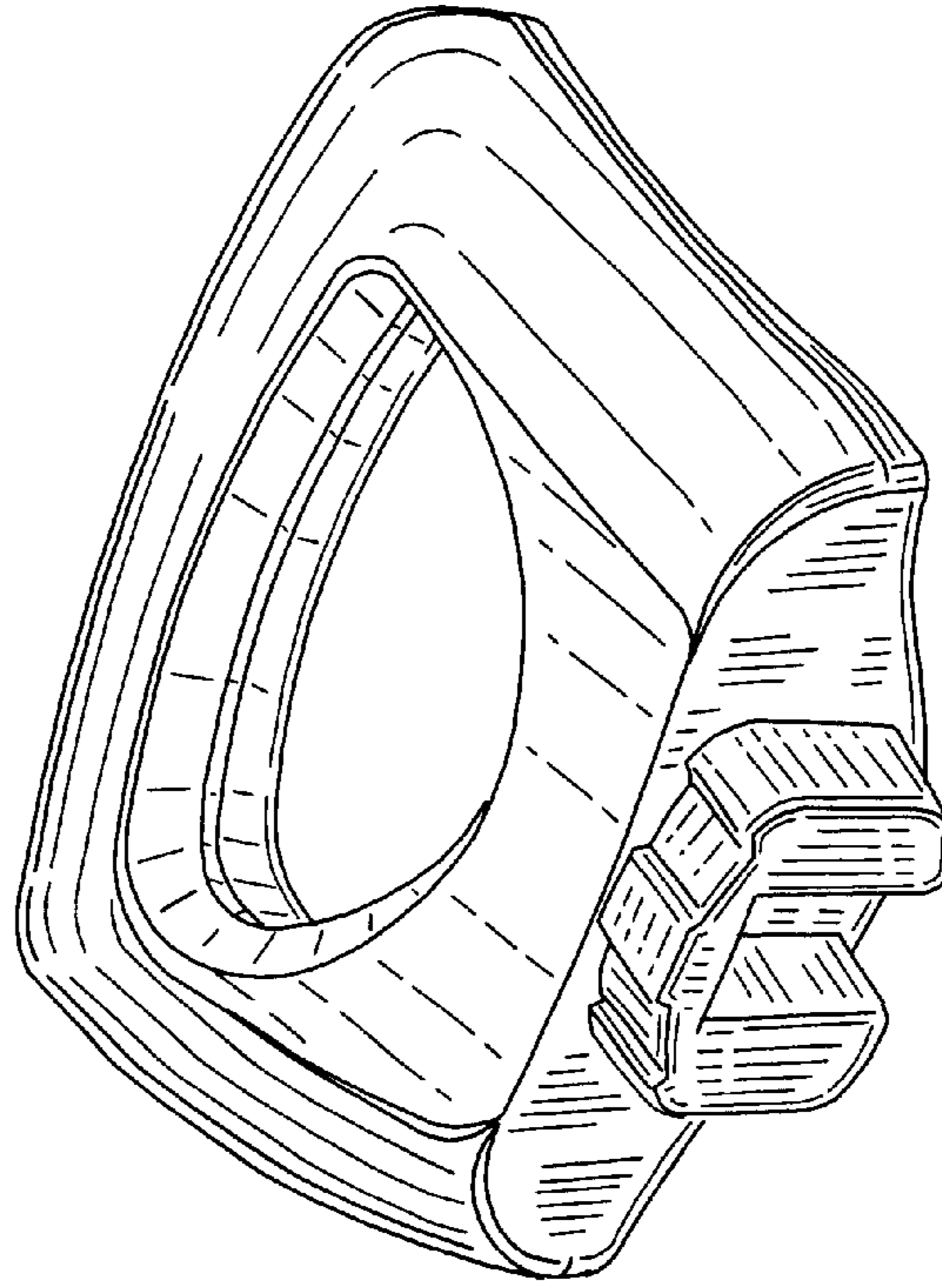


FIG. 14

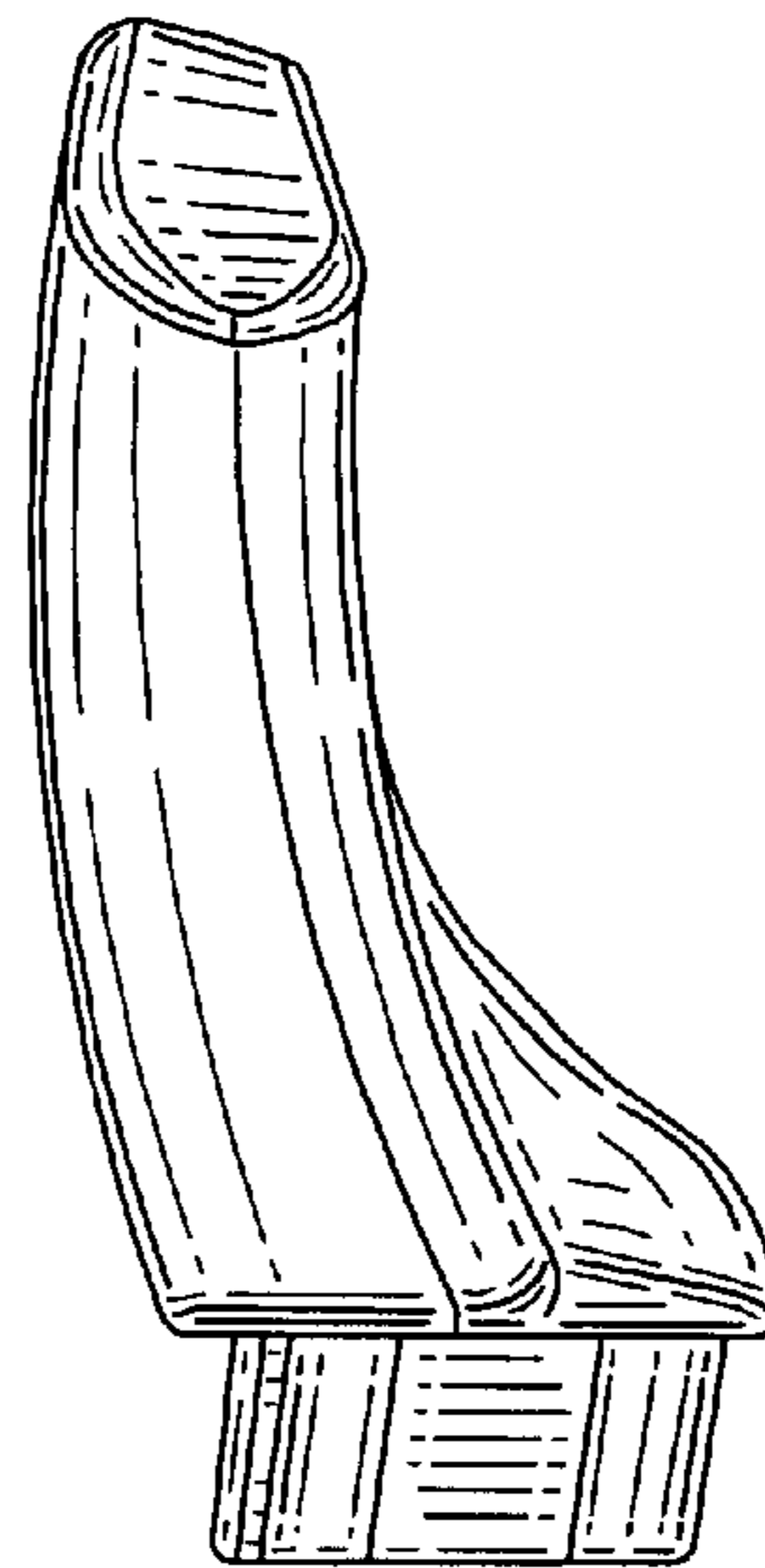


FIG. 12