

US00D525077S

(12) **United States Design Patent** (10) **Patent No.:** **US D525,077 S**
White et al. (45) **Date of Patent:** **** *Jul. 18, 2006**

(54) **DUTCH OVEN AND STAND**

(75) Inventors: **Kelly M. White**, Hudson, MA (US);
James Varney, Watertown, MA (US);
David L. Adriaansen, Boston, MA
(US); **James M. Ormond**, Roxbury,
MA (US); **Bryan Hotaling**, Arlington,
MA (US); **Richard McDuffie**,
Worcester, MA (US); **David Bossa**,
Uxbridge, MA (US)

(73) Assignee: **JCS/THG, LLC**, Milford, MA (US)

(*) Notice: This patent is subject to a terminal disclaimer.

(**) Term: **14 Years**

(21) Appl. No.: **29/197,100**

(22) Filed: **Jan. 9, 2004**

(51) **LOC (8) Cl.** **07-02**

(52) **U.S. Cl.** **D7/355**

(58) **Field of Classification Search** D7/355,
D7/360, 354-361, 366, 402, 403, 542, 410-413;
99/324-328, 339, 341, 343, 345; 219/429,
219/432, 438, 440

See application file for complete search history.

(56) **References Cited**

U.S. PATENT DOCUMENTS

D176,063 S * 11/1955 Collura D7/360
D232,148 S * 7/1974 Yarrington D7/360
D241,601 S * 9/1976 Cook D7/356

D268,471 S * 4/1983 Gremonprez D7/355
D276,022 S * 10/1984 Bowen et al. D7/360
D278,403 S * 4/1985 Cesaroni D7/360
D369,272 S * 4/1996 Mendelson et al. D7/360
D381,242 S * 7/1997 Rossiaud D7/360
D433,272 S * 11/2000 Park D7/355
D433,868 S * 11/2000 Jo D7/360
D435,393 S * 12/2000 Jo D7/360
D437,182 S * 2/2001 Choi D7/360
D450,528 S * 11/2001 Rossman D7/360
D460,314 S * 7/2002 Bodum D7/337
D488,343 S * 4/2004 Tse D7/355
D503,584 S * 4/2005 White et al. D7/355
2005/0173402 A1 * 8/2005 White et al. 219/432

* cited by examiner

Primary Examiner—Caron D. Veynar

Assistant Examiner—Ricky Pham

(74) *Attorney, Agent, or Firm*—Hoffman & Baron, LLP;
Frank Marino

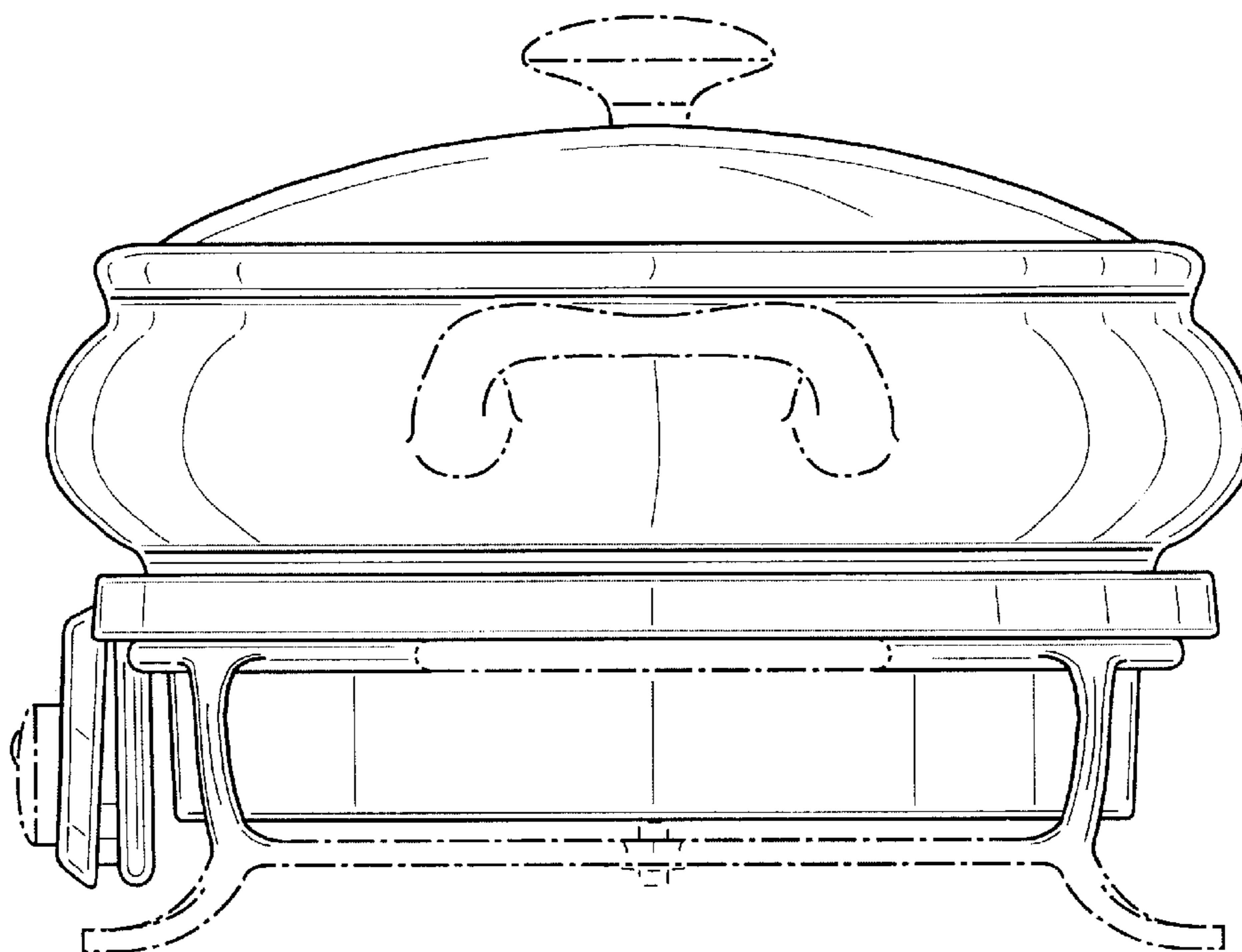
(57) **CLAIM**

The ornamental design for a Dutch oven and stand, as shown and described.

DESCRIPTION

FIG. 1 is a top perspective view of a Dutch oven and stand showing our new design;
FIG. 2 is a front elevation view thereof;
FIG. 3 is a top plan view thereof; and,
FIG. 4 is a side elevation view thereof, the opposite side being a mirror image thereof.
The subject matter shown in broken lines is for illustrative purposes only and forms no part of the claimed design.

1 Claim, 4 Drawing Sheets



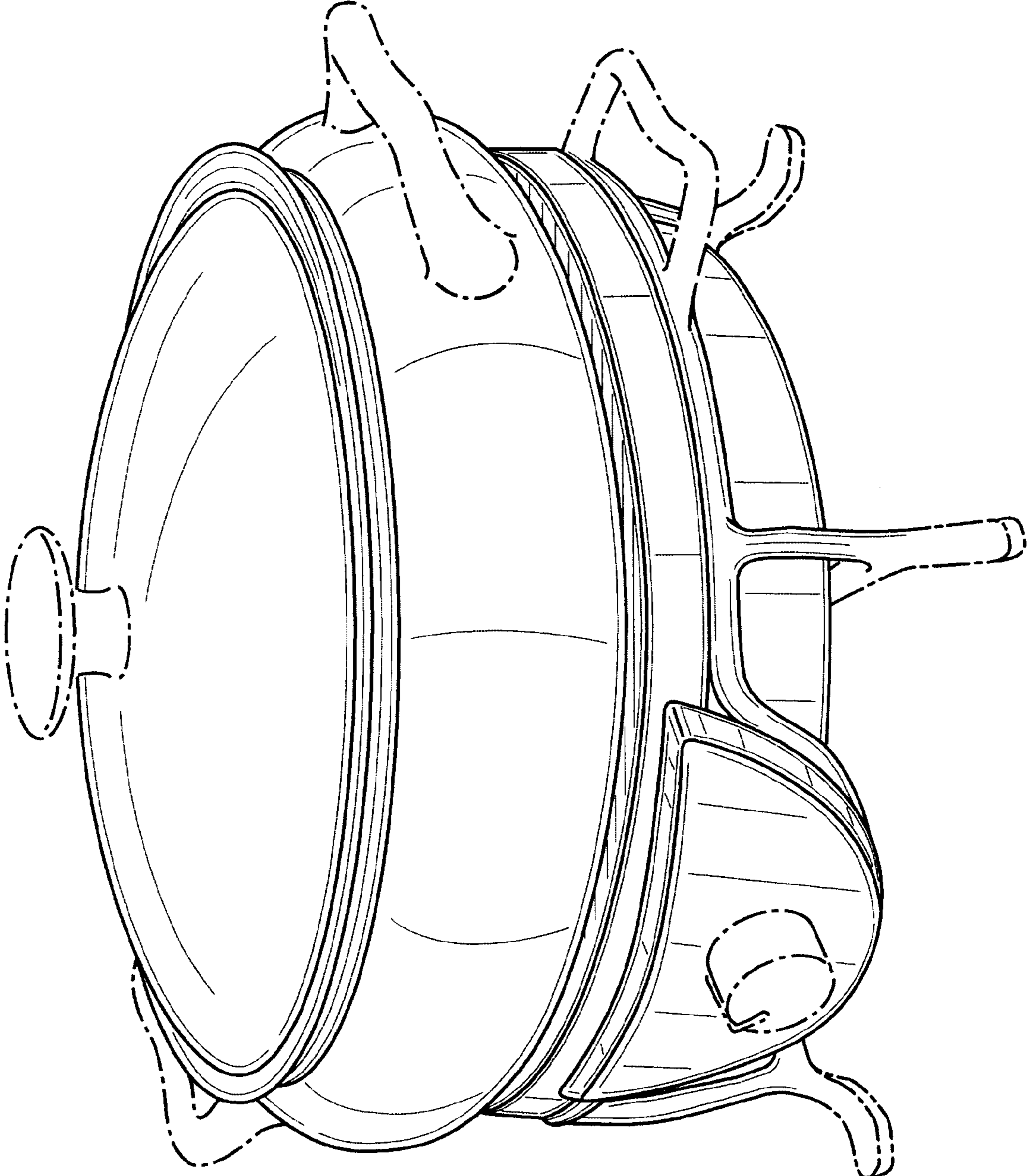


FIG. 1

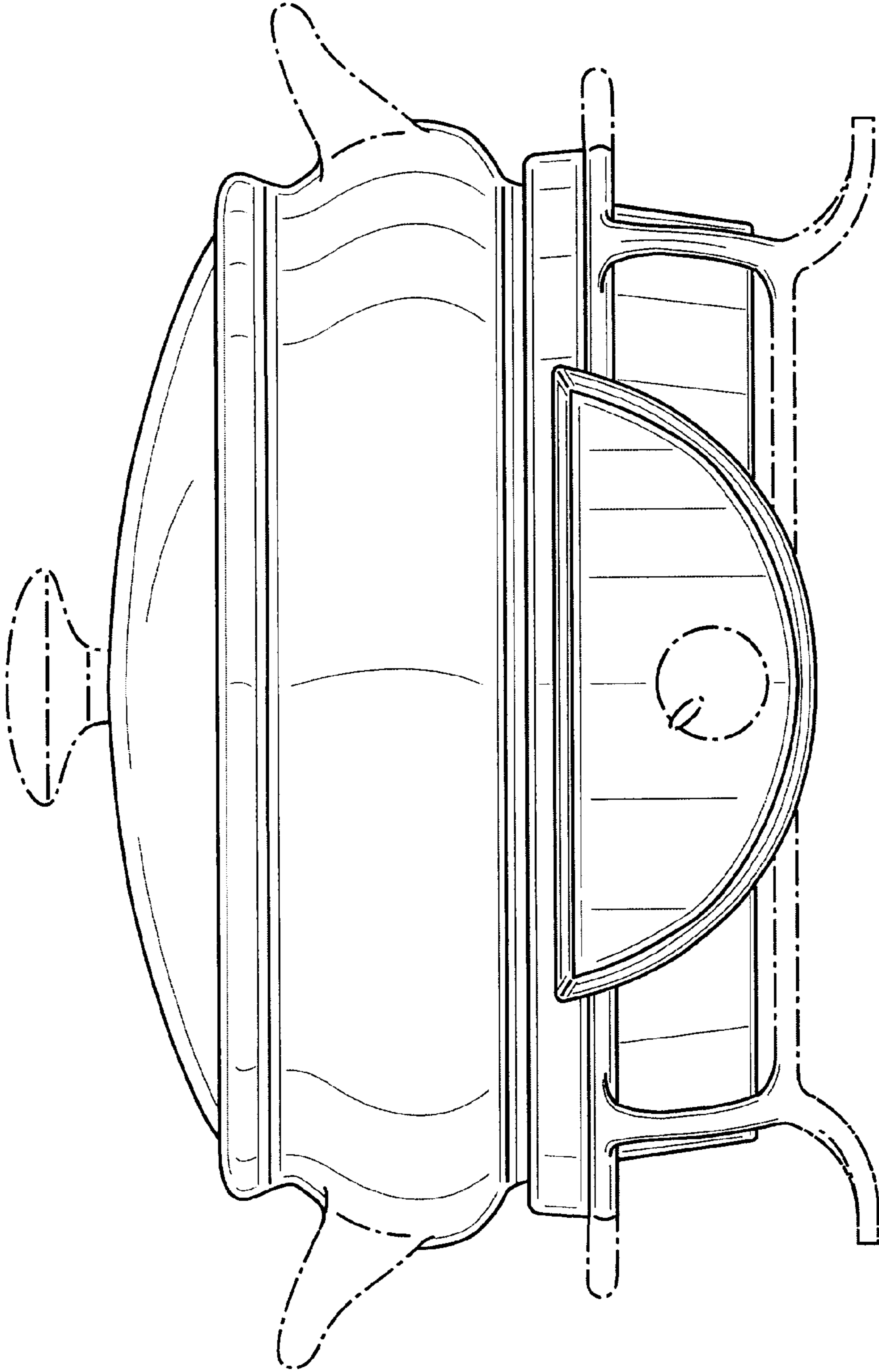


FIG. 2

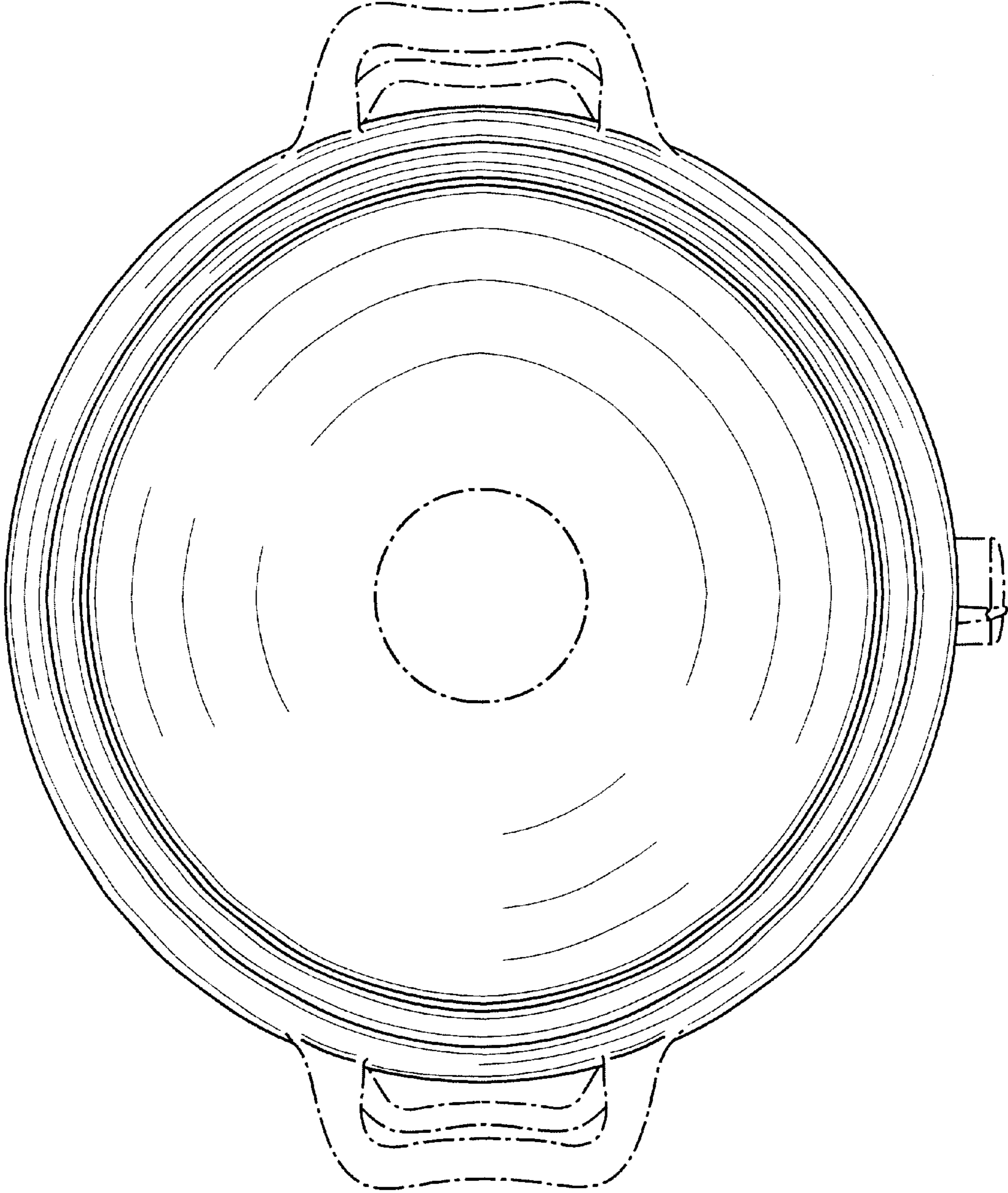


FIG. 3

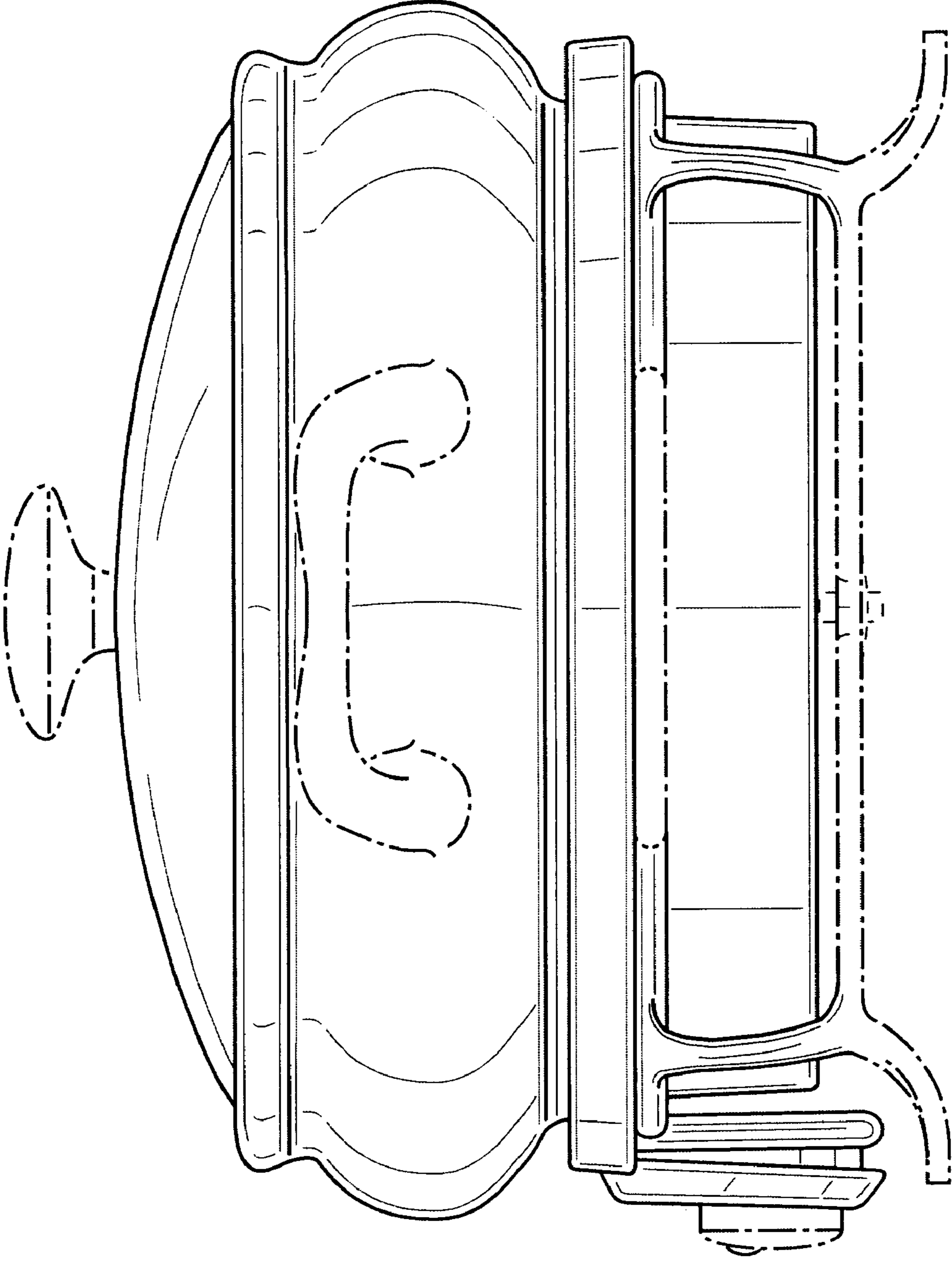


FIG. 4