



US00D525076S

(12) **United States Design Patent** (10) **Patent No.:** **US D525,076 S**
Olsen et al. (45) **Date of Patent:** **** Jul. 18, 2006**

(54) **SKILLET**

FOREIGN PATENT DOCUMENTS

(75) Inventors: **Mary C. Olsen**, New Canaan, CT (US);
Dong Lei Wang, Zhuah (CN)

GB 3007022 * 9/2002
GB 3019015 * 10/2004

(73) Assignee: **Conair Corporation**, Stamford, CT (US)

OTHER PUBLICATIONS

(**) Term: **14 Years**

Cuisinart Website, 2004 Countertop Cooking Appliance Series, http://www.cuisinart.com/catalog/product.php?item_id=396.*

(21) Appl. No.: **29/204,154**

* cited by examiner

(22) Filed: **Apr. 23, 2004**

Primary Examiner—Caron D. Veynar
Assistant Examiner—Ricky Pham

(Under 37 CFR 1.47)

(74) *Attorney, Agent, or Firm*—Lawrence Cruz; Steven A. Garner

(51) **LOC (8) Cl.** **07-02**

(52) **U.S. Cl.** **D7/353**

(58) **Field of Classification Search** D7/323,
D7/337, 354–362, 393; 99/324, 325, 339,
99/341; 219/620–622; 220/573.1, 912
See application file for complete search history.

(57) **CLAIM**

The ornamental design for a skillet, as shown and described.

DESCRIPTION

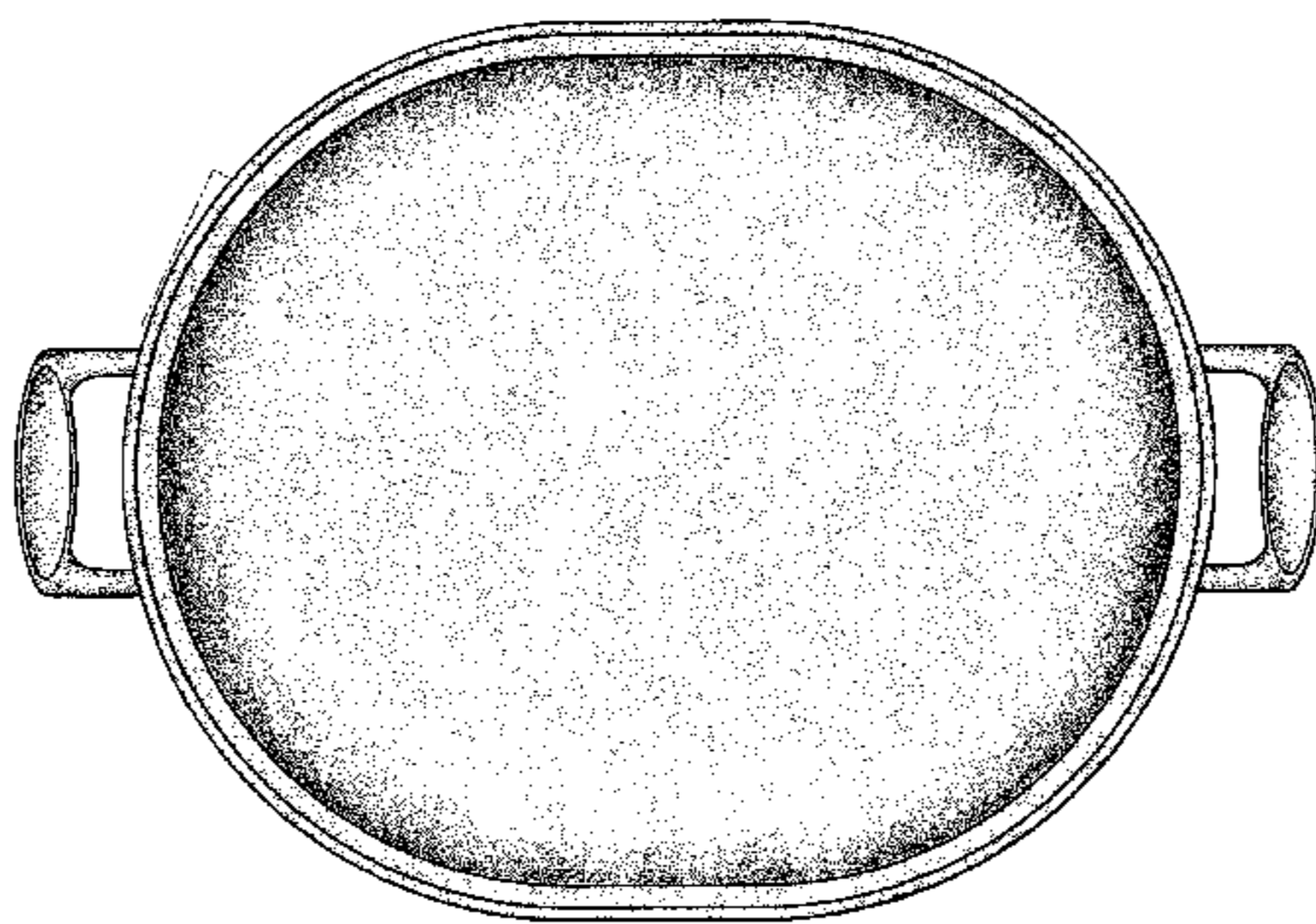
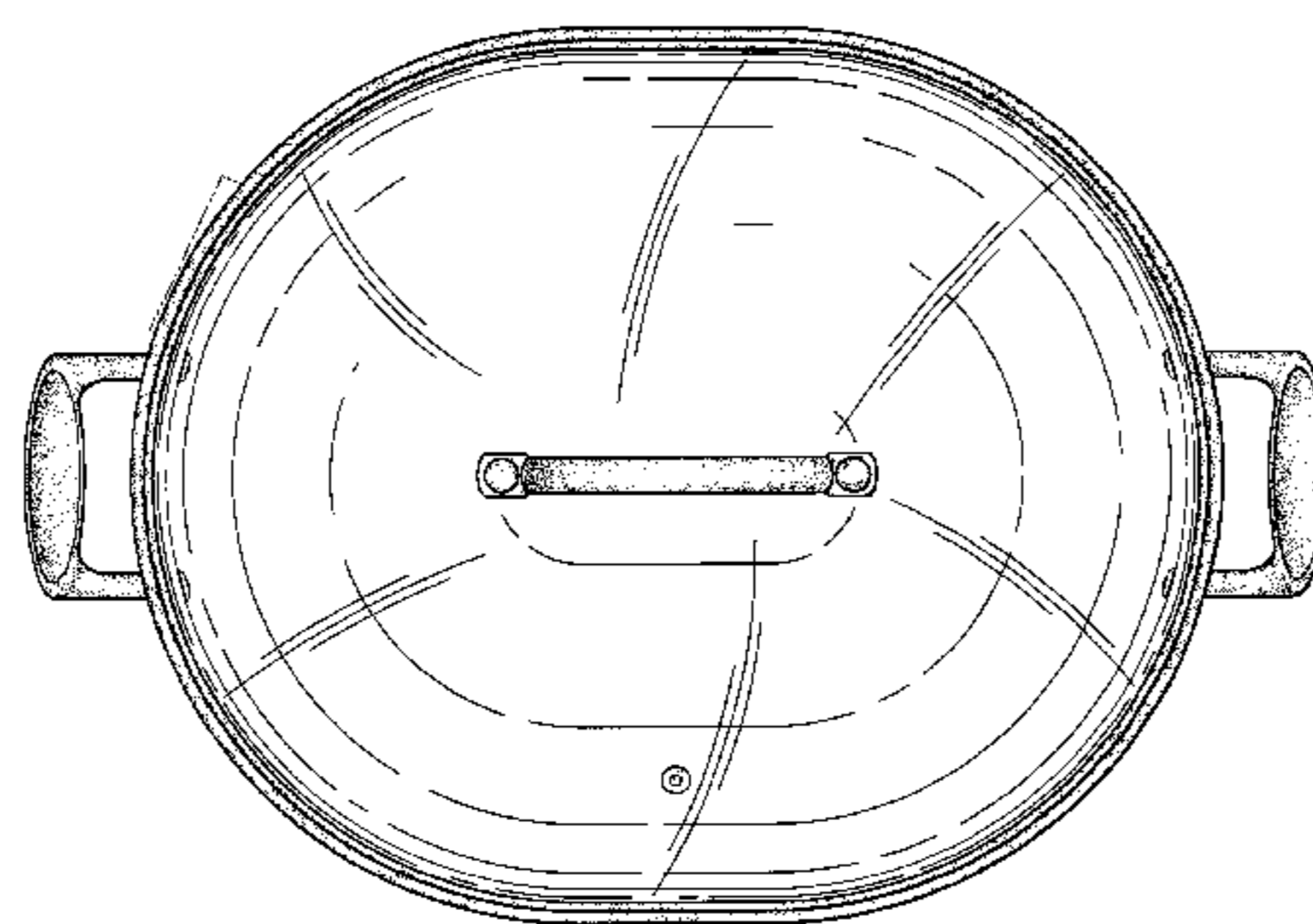
(56) **References Cited**

U.S. PATENT DOCUMENTS

2,969,452	A	*	1/1961	Geller et al.	219/436
4,270,067	A	*	5/1981	Thomas et al.	219/438
D321,625	S	*	11/1991	Dobson et al.	D7/360
D359,652	S	*	6/1995	Mendelson et al.	D7/362
D366,592	S	*	1/1996	Cesaroni et al.	D7/360
D369,272	S	*	4/1996	Mendelson et al.	D7/360
D435,393	S	*	12/2000	Jo	D7/360
D444,342	S	*	7/2001	Kruepke et al.	D7/360
D464,843	S	*	10/2002	Schulte et al.	D7/337
D493,061	S	*	7/2004	Rae	D7/394
D506,636	S	*	6/2005	Schulte et al.	D7/337
D506,666	S	*	6/2005	Tetreault et al.	D8/317

FIG. 1 is a perspective view of a skillet with a lid showing our new design;
FIG. 2 is another perspective view of the skillet shown separately for ease of illustration;
FIG. 3 is a front elevational view of FIG. 1 thereof;
FIG. 4 is a rear elevational view of FIG. 1 thereof;
FIG. 5 is a left side elevational view of FIG. 1 thereof;
FIG. 6 is a right side elevational view of FIG. 1 thereof;
FIG. 7 is a top plan view of FIG. 1 thereof; and,
FIG. 8 is a top plan view of the skillet in FIG. 2 shown separately for ease of illustration.
The broken lines showing the temperature control device and the legs are for illustrative purposes only and form no part of the claimed design.

1 Claim, 8 Drawing Sheets



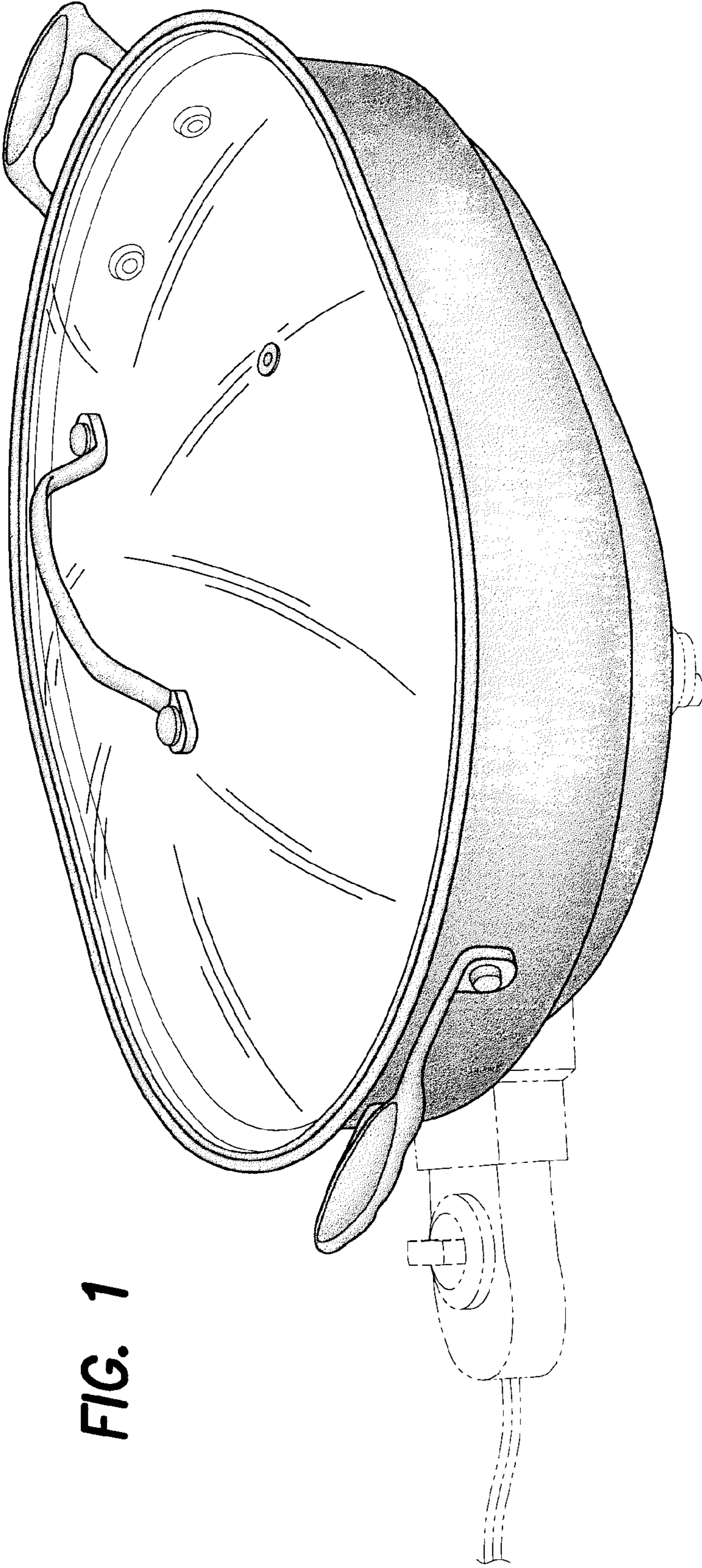


FIG. 1

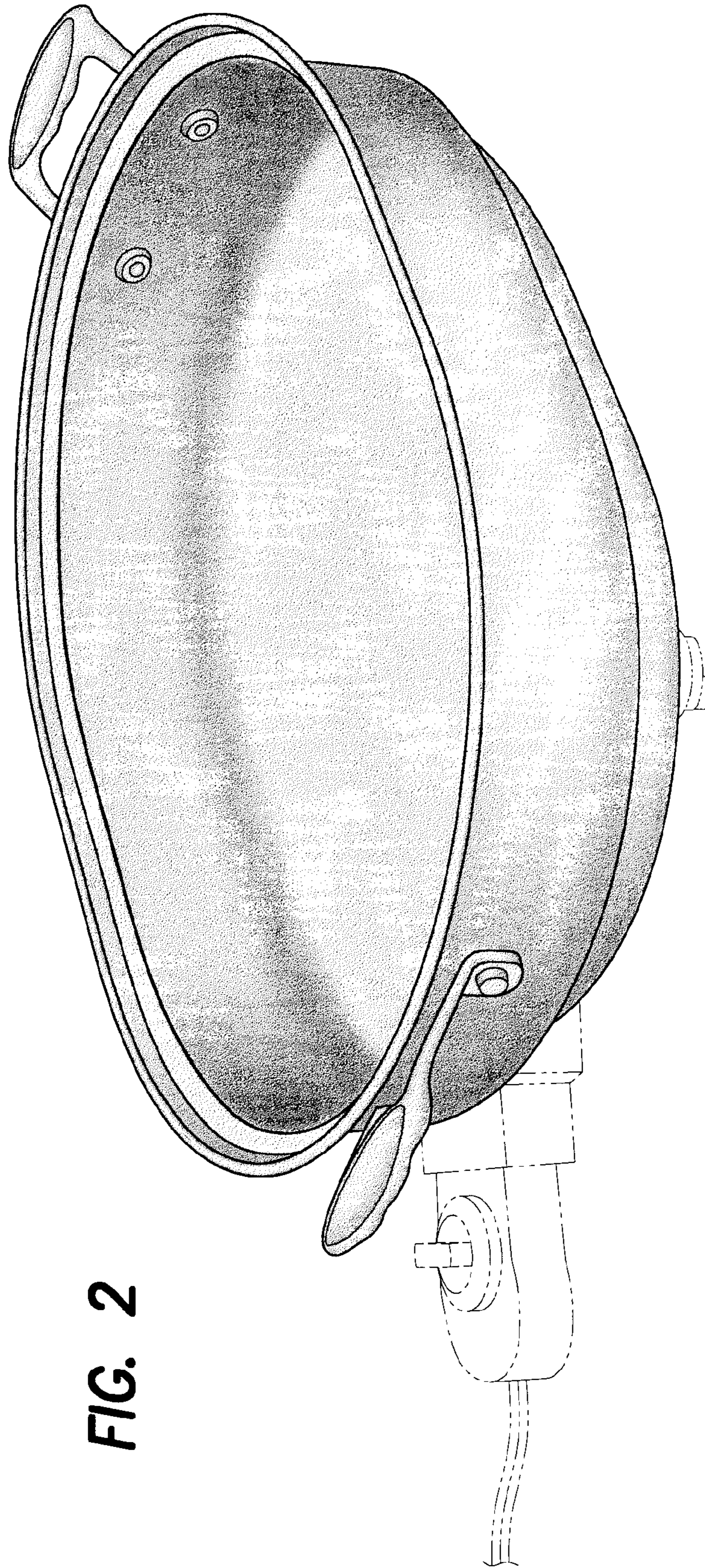


FIG. 2

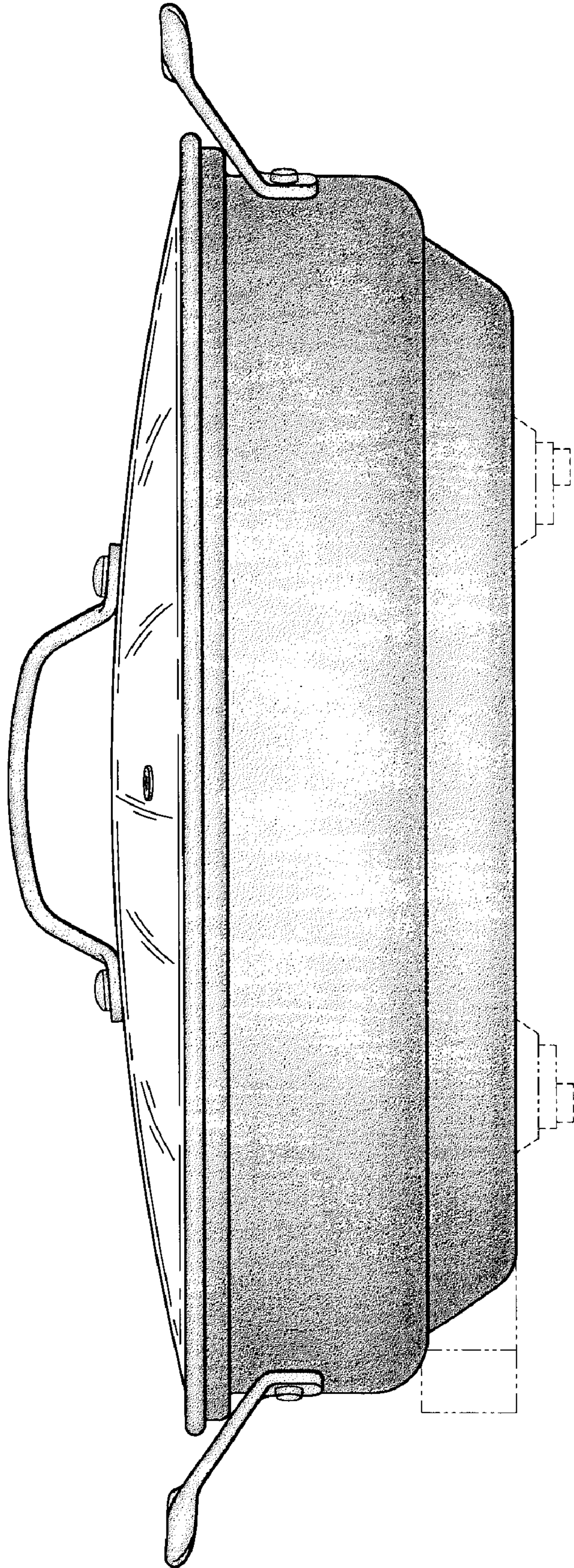


FIG. 3

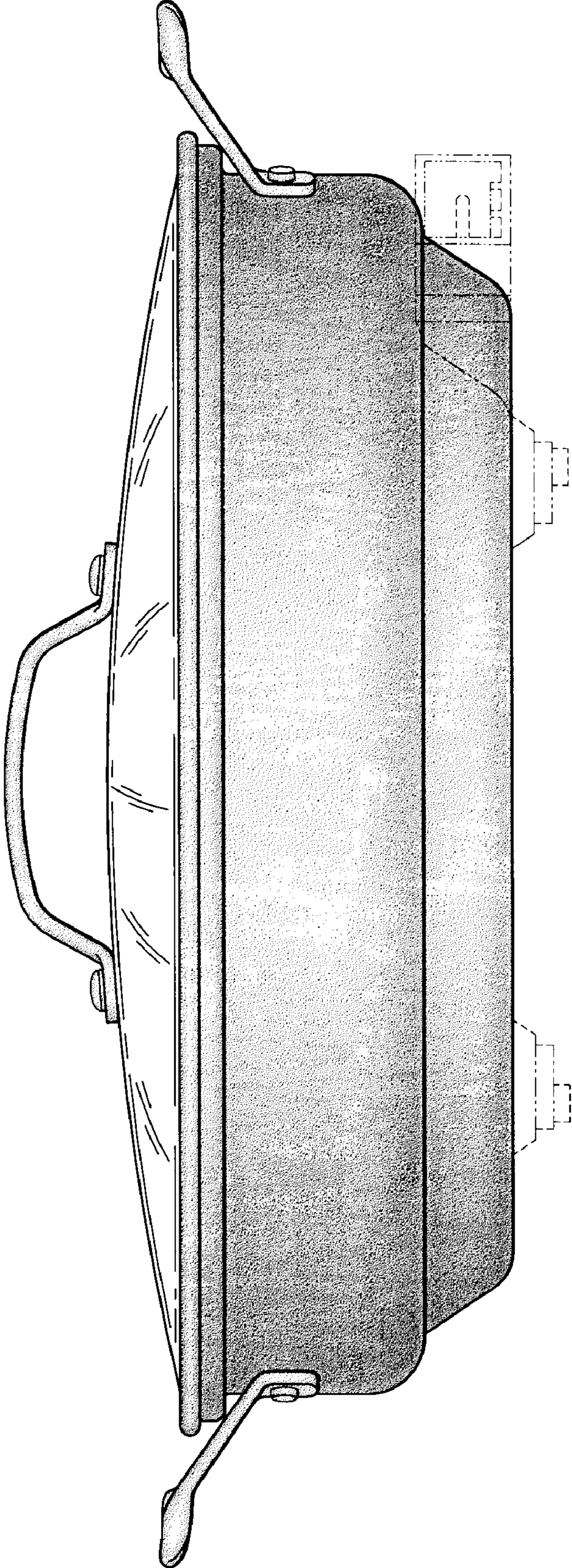


FIG. 4

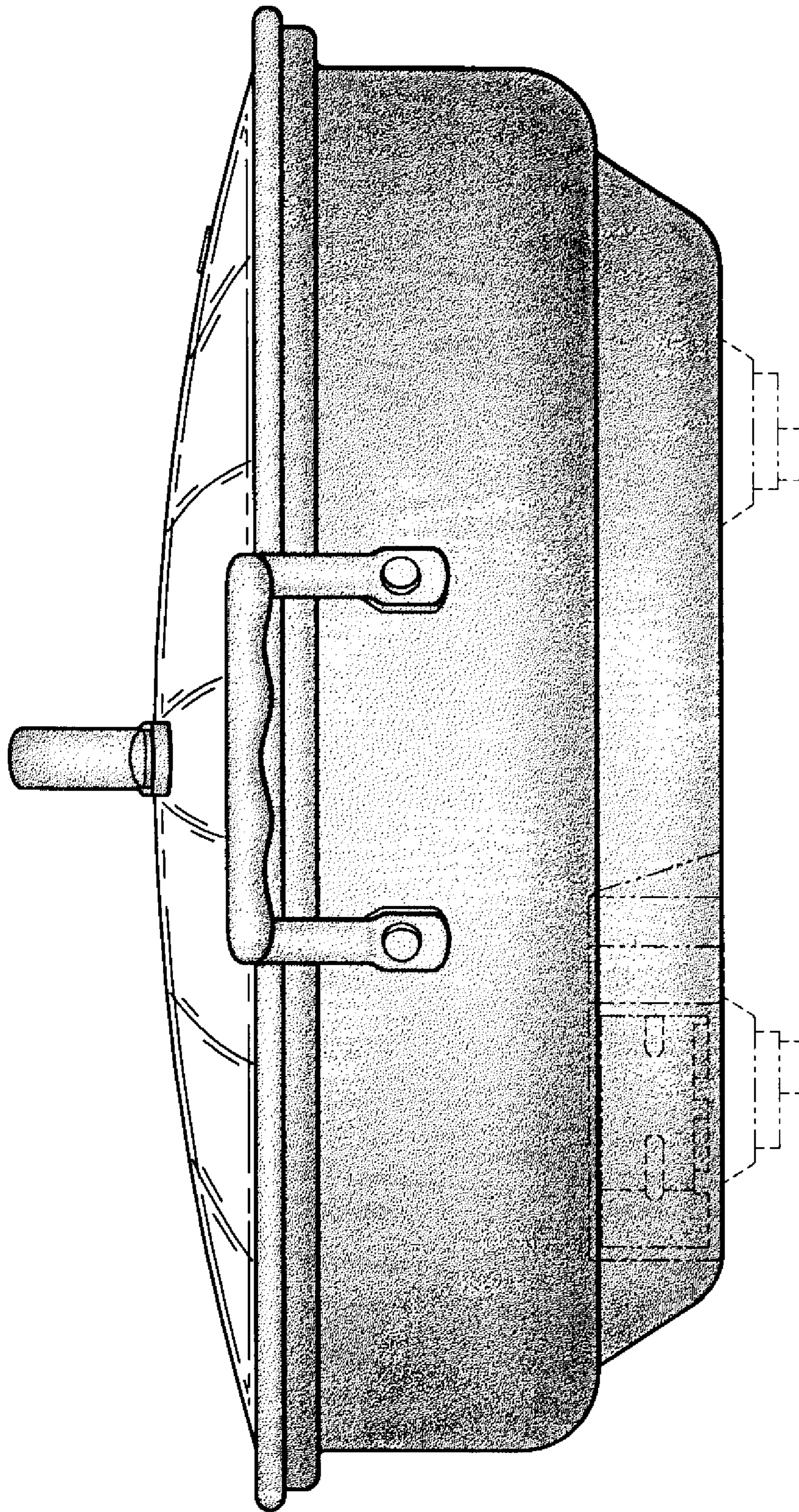


FIG. 5

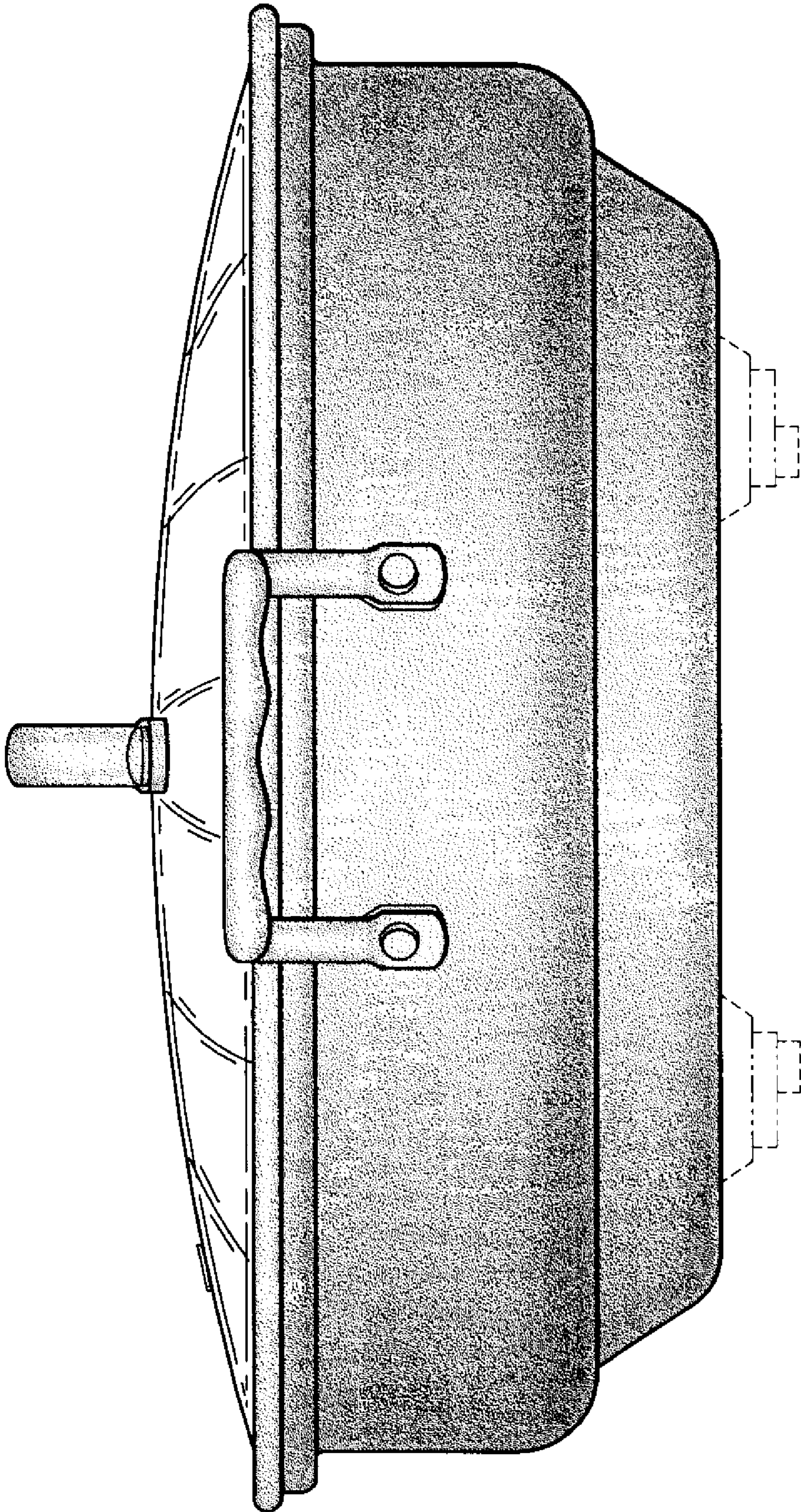


FIG. 6

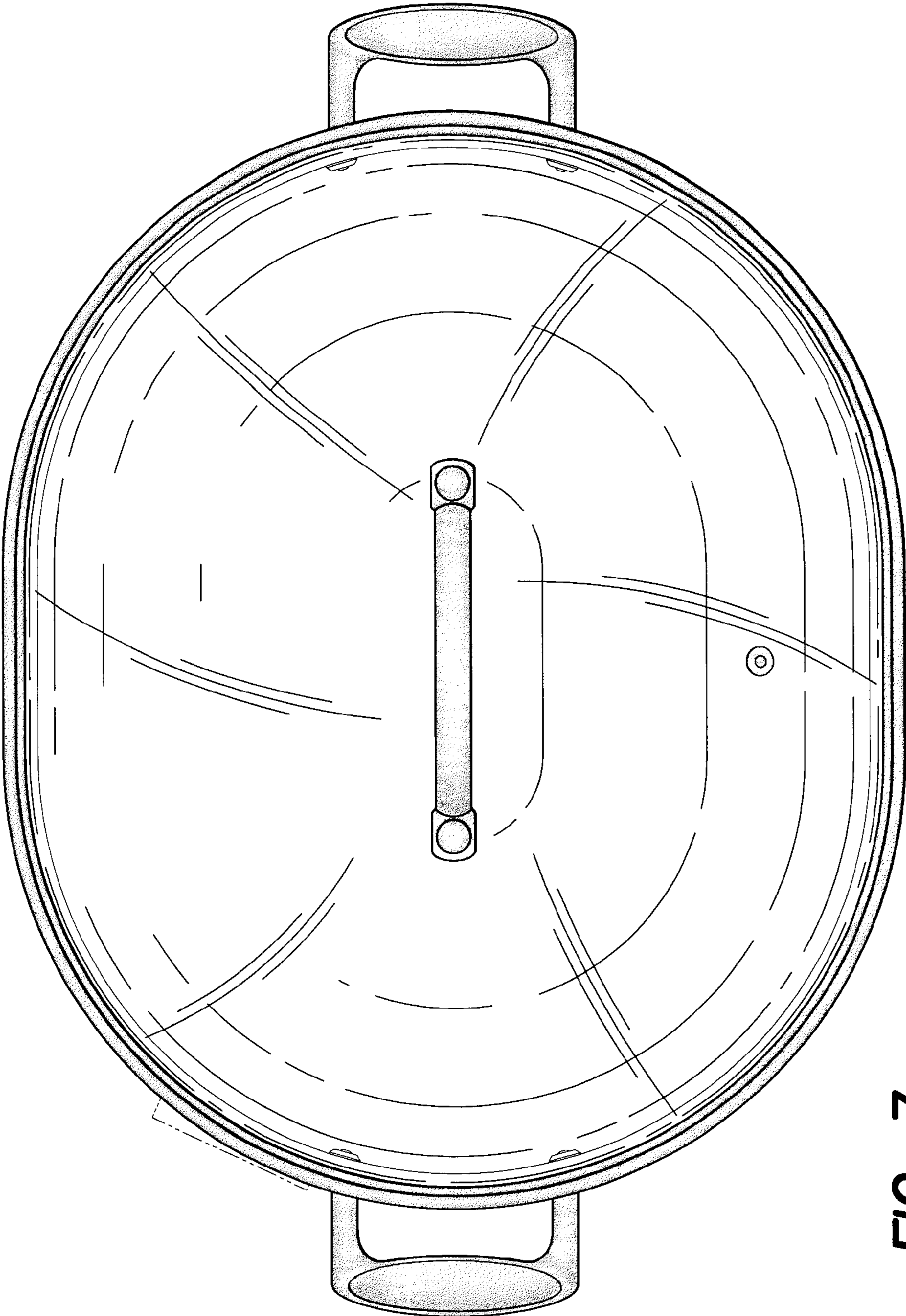


FIG. 7

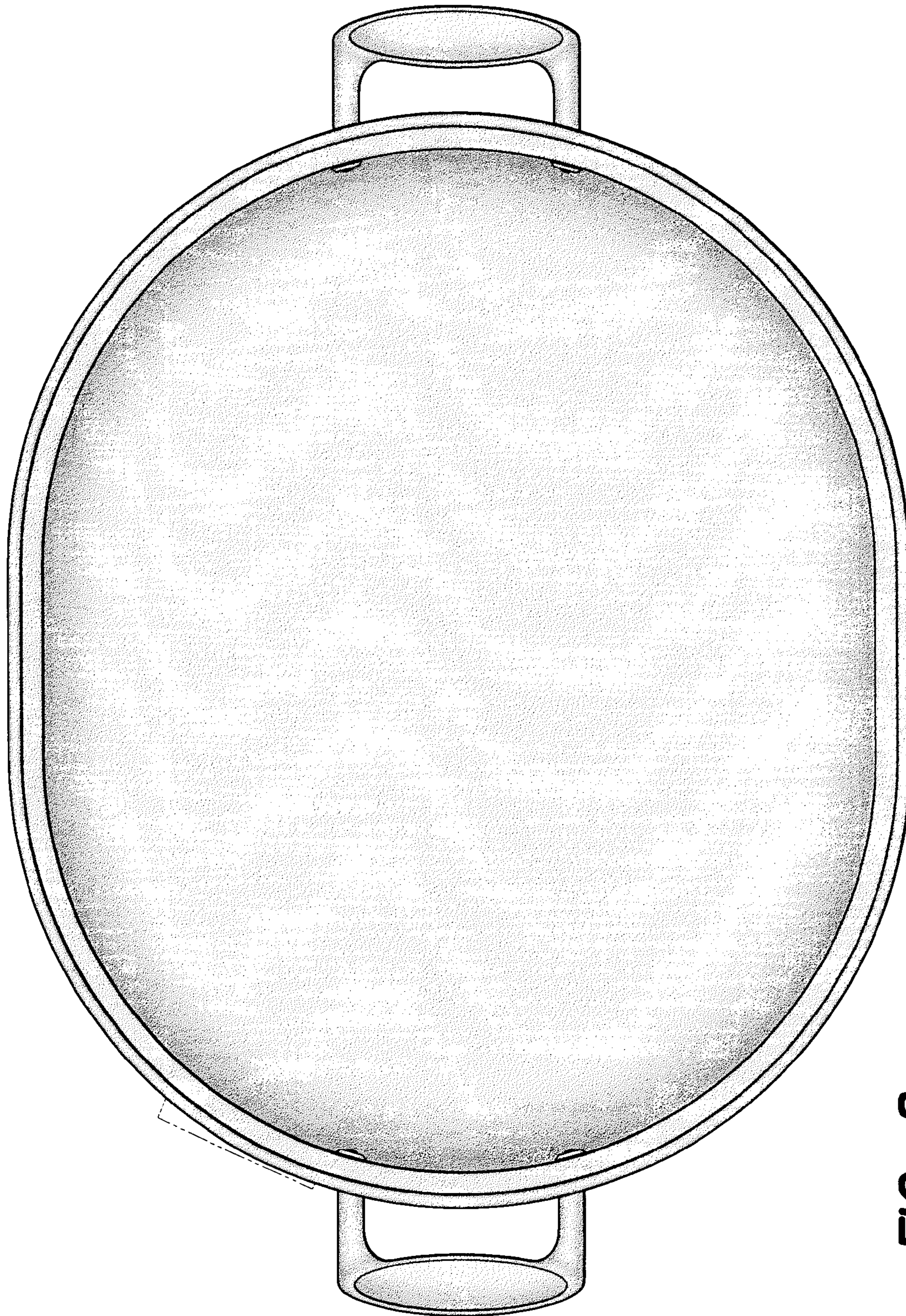


FIG. 8