



US00D525073S

(12) **United States Design Patent**
Wilgus et al.

(10) **Patent No.:** **US D525,073 S**
(45) **Date of Patent:** **** Jul. 18, 2006**

(54) **GRILL**
(75) Inventors: **Mitchell L. Wilgus**, Andover, KS (US);
Jerald Ashton, Wichita, KS (US)
(73) Assignee: **The Coleman Company, Inc.**, Wichita,
KS (US)
(**) Term: **14 Years**
(21) Appl. No.: **29/206,632**
(22) Filed: **Jun. 3, 2004**
(51) **LOC (8) Cl.** **07-02**
(52) **U.S. Cl.** **D7/334**
(58) **Field of Classification Search** D32/17-18,
D32/21-22, 25, 30-34; 15/320-321, 323,
15/327.1, 335, 347, 350-353, 361, 329, 410,
15/412; 55/459.1-459.2, 449, DIG. 3, 426,
55/337, 345, 429, 467, 472; 95/271; 210/787,
210/806, 512.1, 512.2
See application file for complete search history.

5,076,252 A 12/1991 Schlosser et al.
5,076,256 A 12/1991 Raymer et al.
5,076,257 A 12/1991 Raymer et al.
D323,952 S 2/1992 Wagner et al.
5,086,753 A 2/1992 Berger
5,088,470 A 2/1992 James, Jr. et al.
5,109,834 A 5/1992 Collins et al.
D327,390 S 6/1992 Schlosser et al.
5,163,358 A 11/1992 Hanagan et al.
D339,714 S 9/1993 Leblanc et al.
5,277,106 A 1/1994 Raymer et al.
5,323,758 A 6/1994 Minshall et al.
5,327,879 A 7/1994 Ferraro
5,357,940 A 10/1994 Kalenian
D358,059 S 5/1995 Peterson et al.
D361,466 S 8/1995 Peterson et al.
5,452,707 A 9/1995 Harris et al.
5,473,980 A 12/1995 Carpenter
D373,701 S * 9/1996 Moore D7/334
5,566,606 A 10/1996 Johnston
5,582,094 A 12/1996 Peterson et al.
5,649,475 A 7/1997 Murphy et al.
D404,963 S 2/1999 Schlosser et al.
D406,005 S 2/1999 Wagner et al.
D406,009 S 2/1999 Wagner et al.

(56) **References Cited**

U.S. PATENT DOCUMENTS

4,043,312 A 8/1977 Kern
4,089,258 A 5/1978 Berger
4,188,937 A 2/1980 Baynes
4,322,049 A 3/1982 Holland et al.
4,677,964 A 7/1987 Lohmeyer et al.
4,683,867 A 8/1987 Beatty
D293,067 S 12/1987 Stephen et al.
4,886,045 A 12/1989 Ducate, Jr. et al.
4,895,068 A 1/1990 Hanagan et al.
4,924,846 A 5/1990 Peacock et al.
4,934,333 A 6/1990 Ducate, Jr. et al.
4,955,358 A 9/1990 Harris et al.
4,989,579 A 2/1991 Murphy et al.
D316,355 S 4/1991 Stephen et al.
5,003,960 A 4/1991 Hanagan
5,027,788 A 7/1991 Schlosser et al.
5,033,449 A 7/1991 Hanagan
5,056,364 A 10/1991 Kahler et al.
5,069,196 A 12/1991 Schlosser et al.
5,072,718 A 12/1991 Seal

(Continued)

Primary Examiner—Ruth McInroy

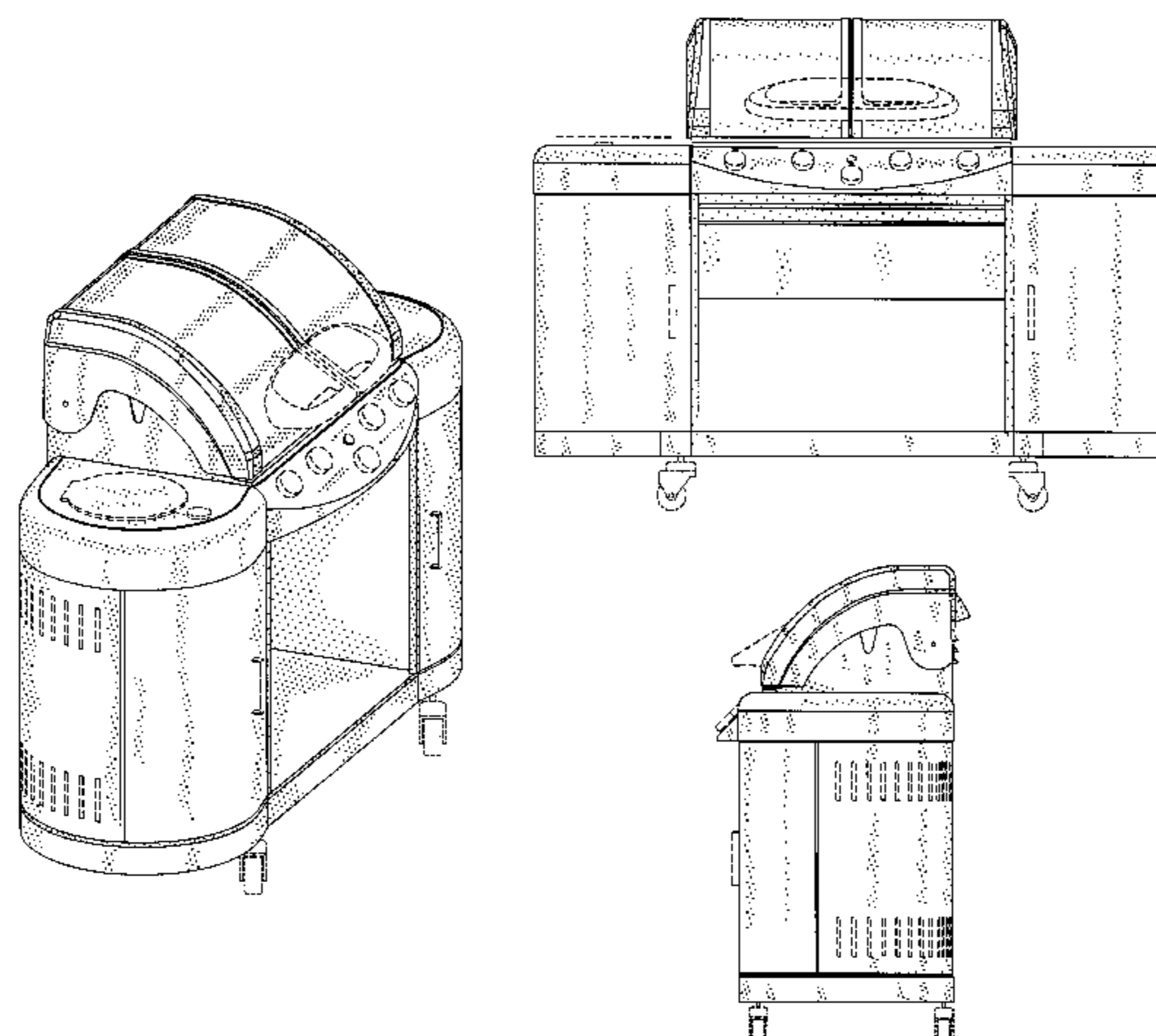
(57) **CLAIM**

The ornamental design for a grill, as shown and described.

DESCRIPTION

FIG. 1 is a left, front perspective view of a grill showing our new design;
FIG. 2 is a right, front perspective view thereof;
FIG. 3 is a front view of FIG. 2;
FIG. 4 is a rear view of FIG. 2;
FIG. 5 is a left side elevational view of FIG. 2;
FIG. 6 is a right side elevational view of FIG. 2;
FIG. 7 is a top view of FIG. 2; and,
FIG. 8 is a bottom view of FIG. 2.
The details shown in broken lines form no part of the claimed design.

1 Claim, 6 Drawing Sheets



US D525,073 S

Page 2

U.S. PATENT DOCUMENTS

5,873,355	A	2/1999	Schlosser et al.	
D406,489	S	* 3/1999	Williams et al.	D7/334
5,934,183	A	8/1999	Schlosser et al.	
D416,164	S	11/1999	Wagner et al.	
5,996,573	A	12/1999	Ganard et al.	
D423,876	S	5/2000	Wagner et al.	
D426,741	S	* 6/2000	Pai	D7/334
6,131,562	A	10/2000	Schlosser et al.	
D433,279	S	11/2000	Schlosser et al.	
D437,176	S	* 2/2001	Bullard	D7/334
D454,276	S	* 3/2002	Pai	D7/334
6,422,230	B1	7/2002	Stewart et al.	
D462,227	S	* 9/2002	Alden et al.	D7/334
D464,843	S	10/2002	Schulte et al.	
D470,357	S	* 2/2003	Home	D7/334
D471,755	S	3/2003	Wilgus et al.	
D472,757	S	4/2003	Schulte et al.	
D475,235	S	* 6/2003	Home	D7/334
D477,756	S	* 7/2003	Lee et al.	D8/25
D480,596	S	* 10/2003	Dellinger et al.	D7/335
D489,222	S	* 5/2004	Pai	D7/334
2002/0020405	A1	2/2002	Coleman et al.	
2004/0069294	A1	4/2004	Bossler	

* cited by examiner

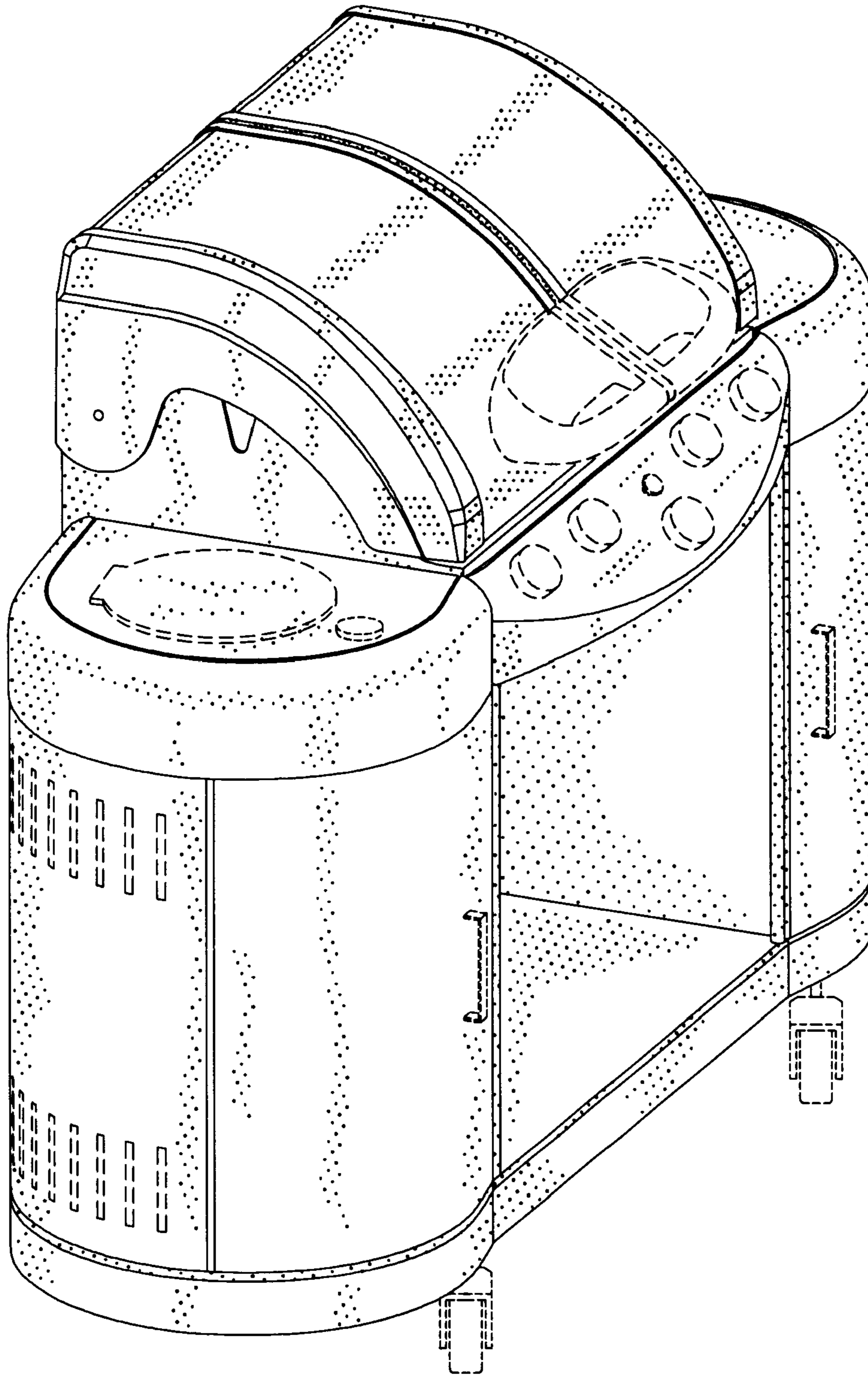


FIG. 1

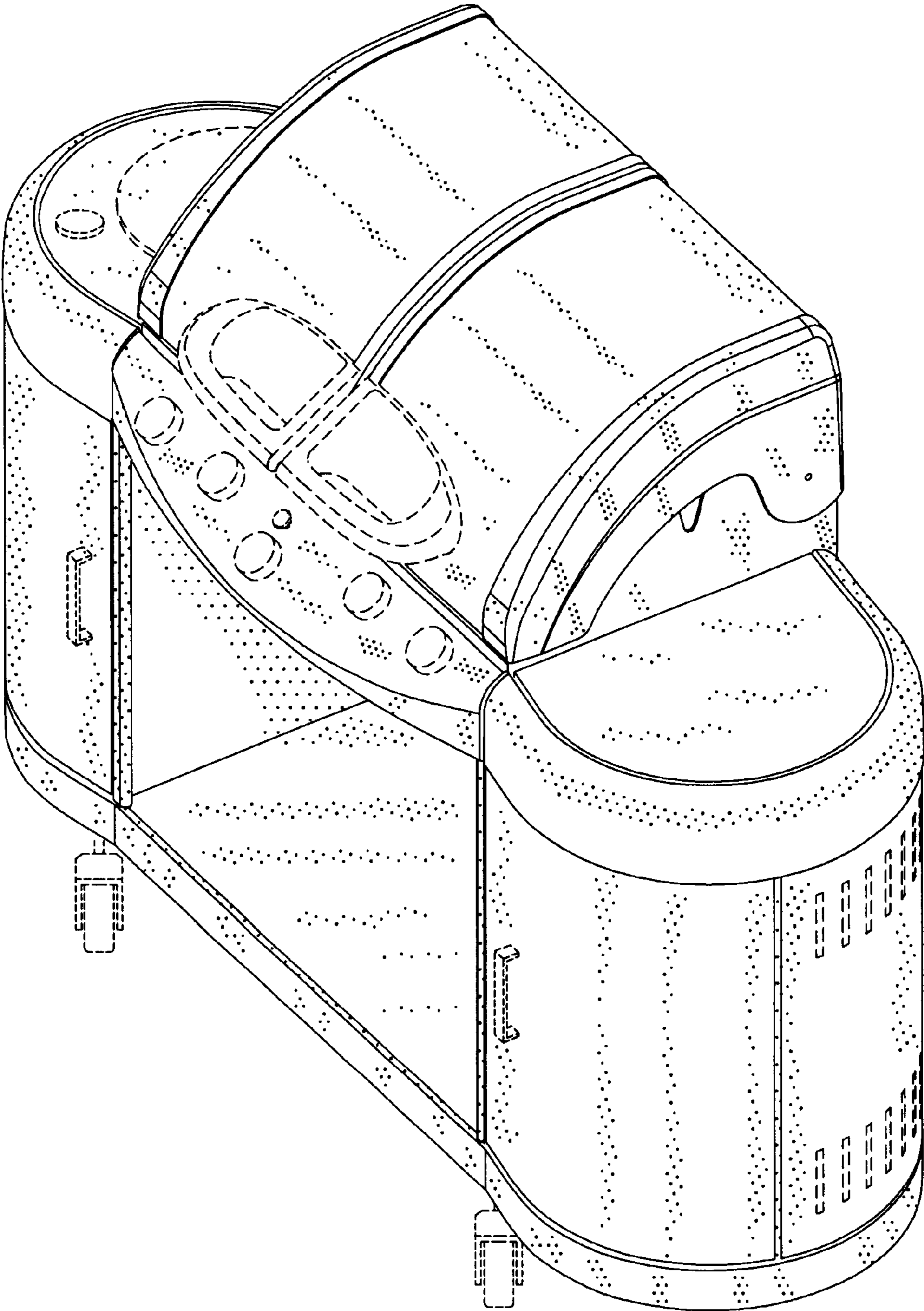


FIG. 2

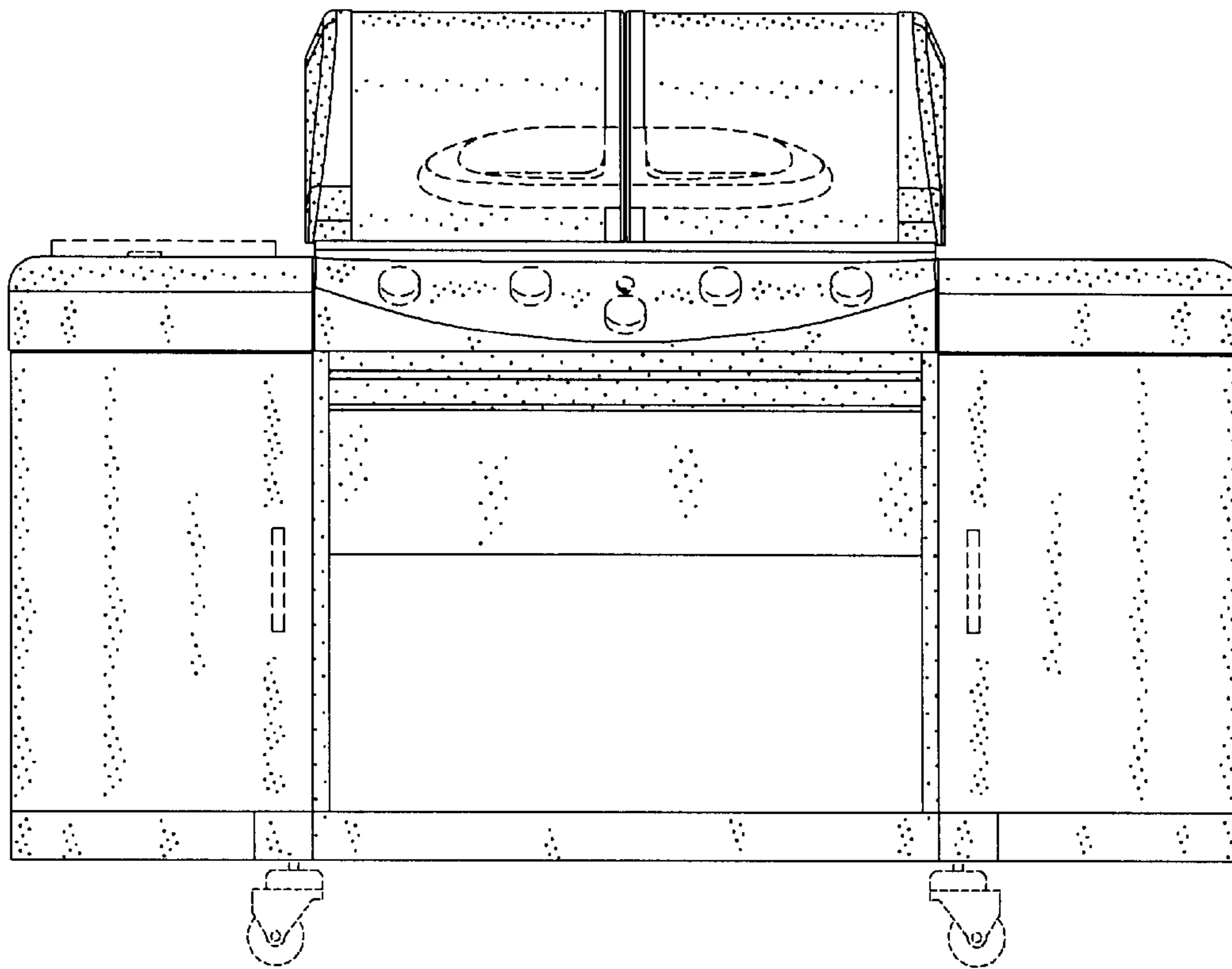


FIG. 3

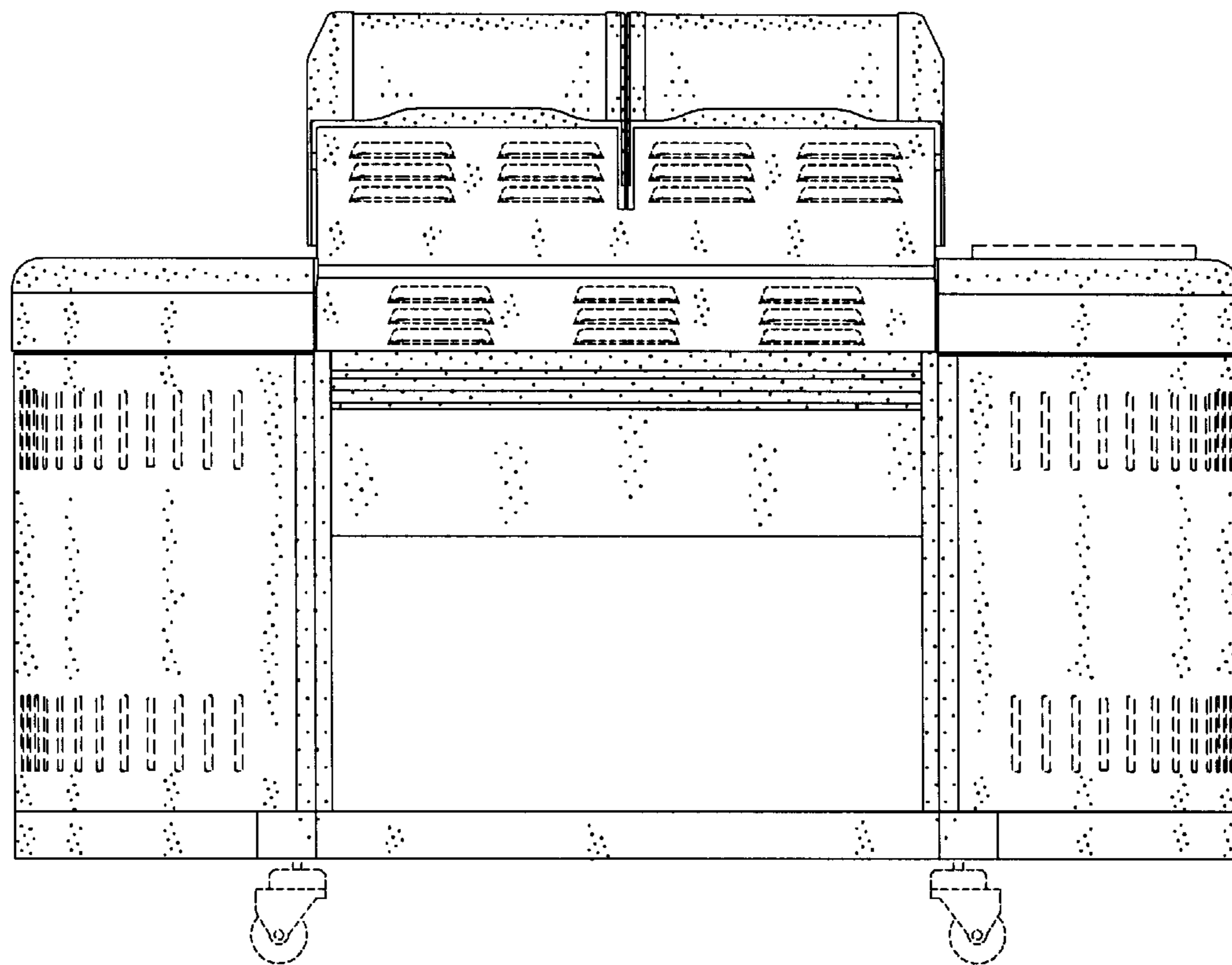


FIG. 4

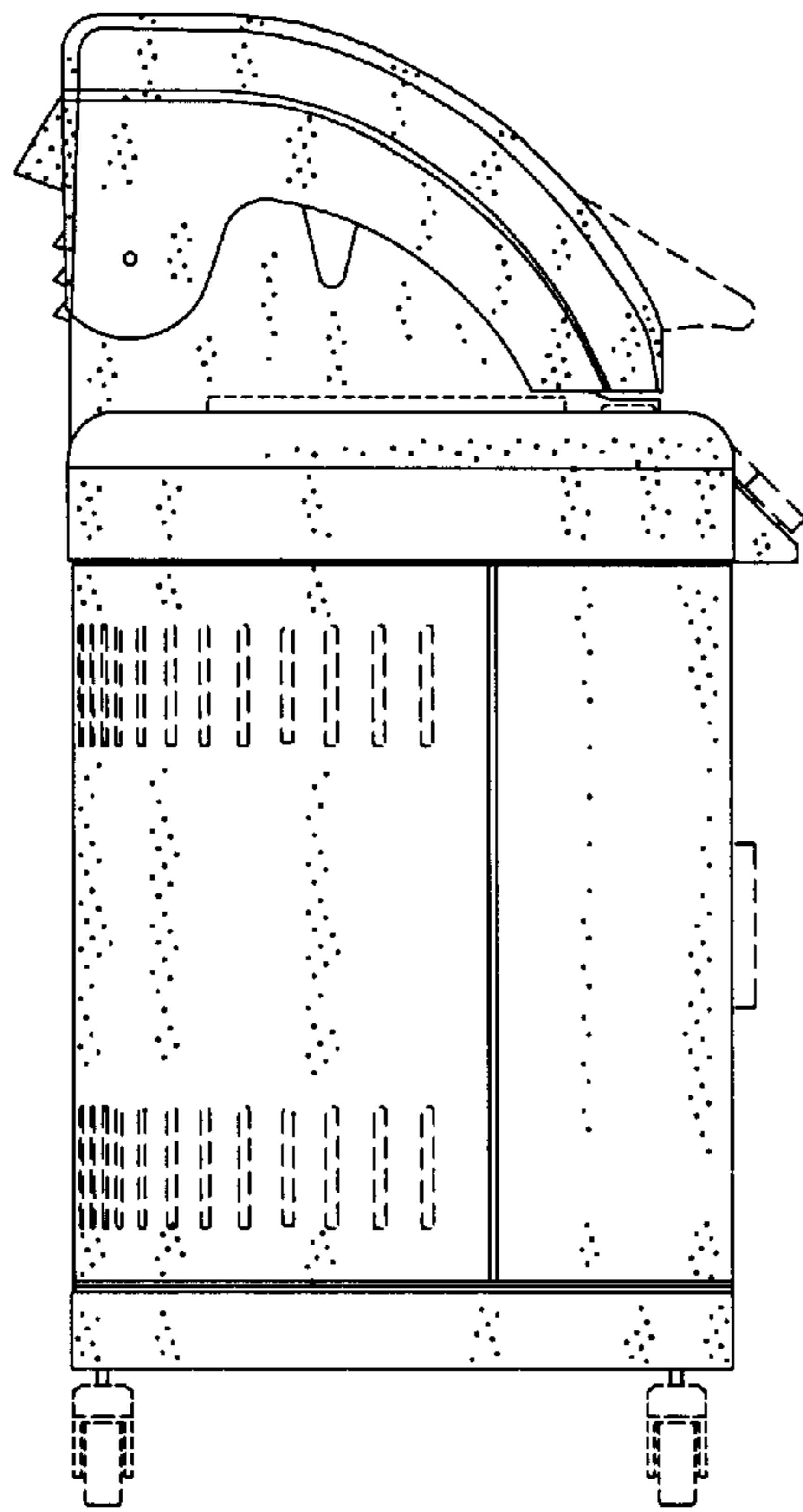


FIG. 5

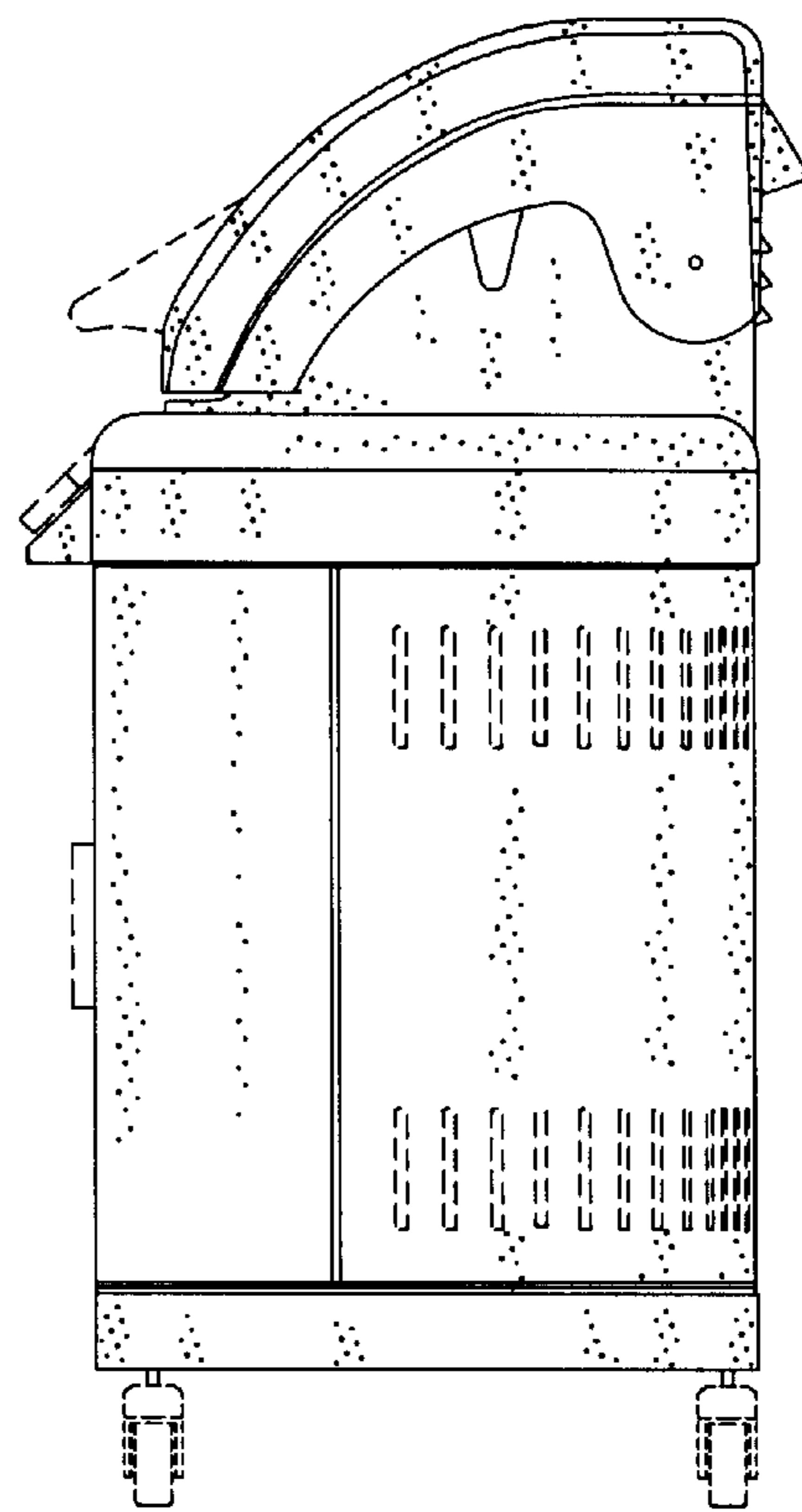


FIG. 6

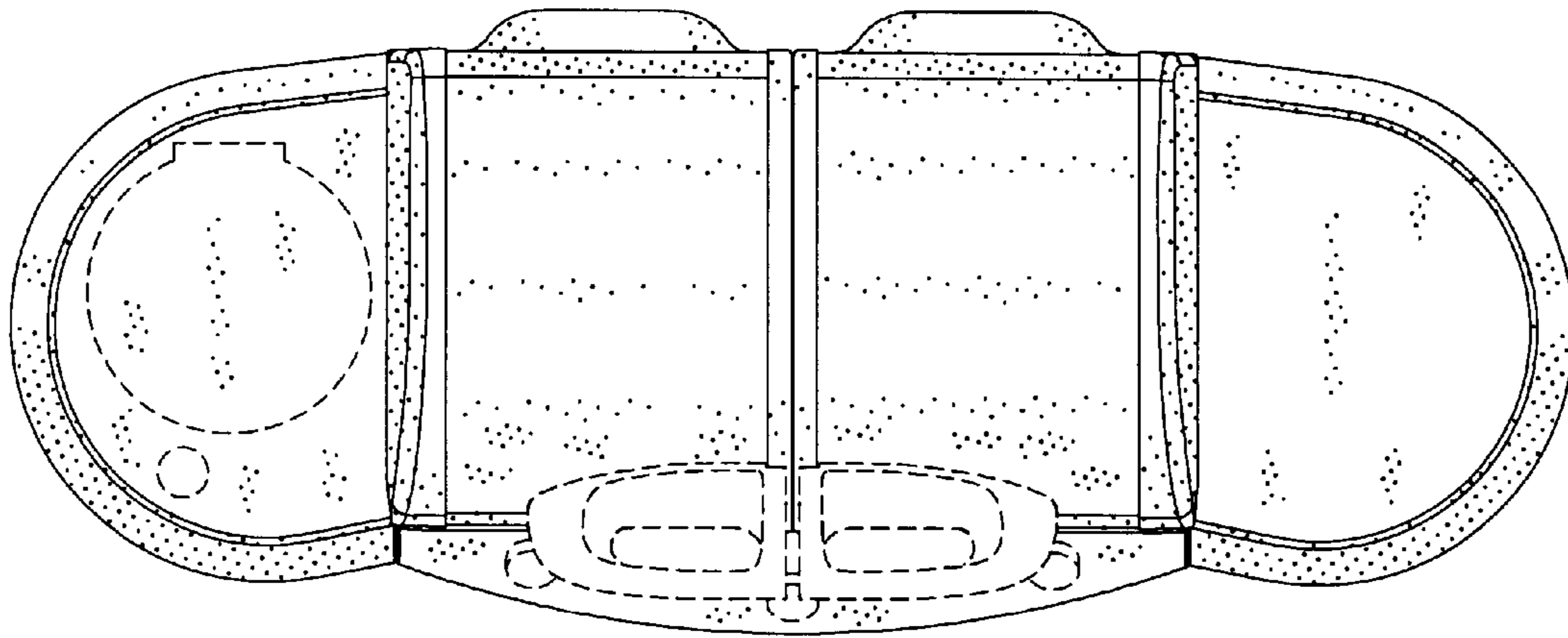


FIG. 7

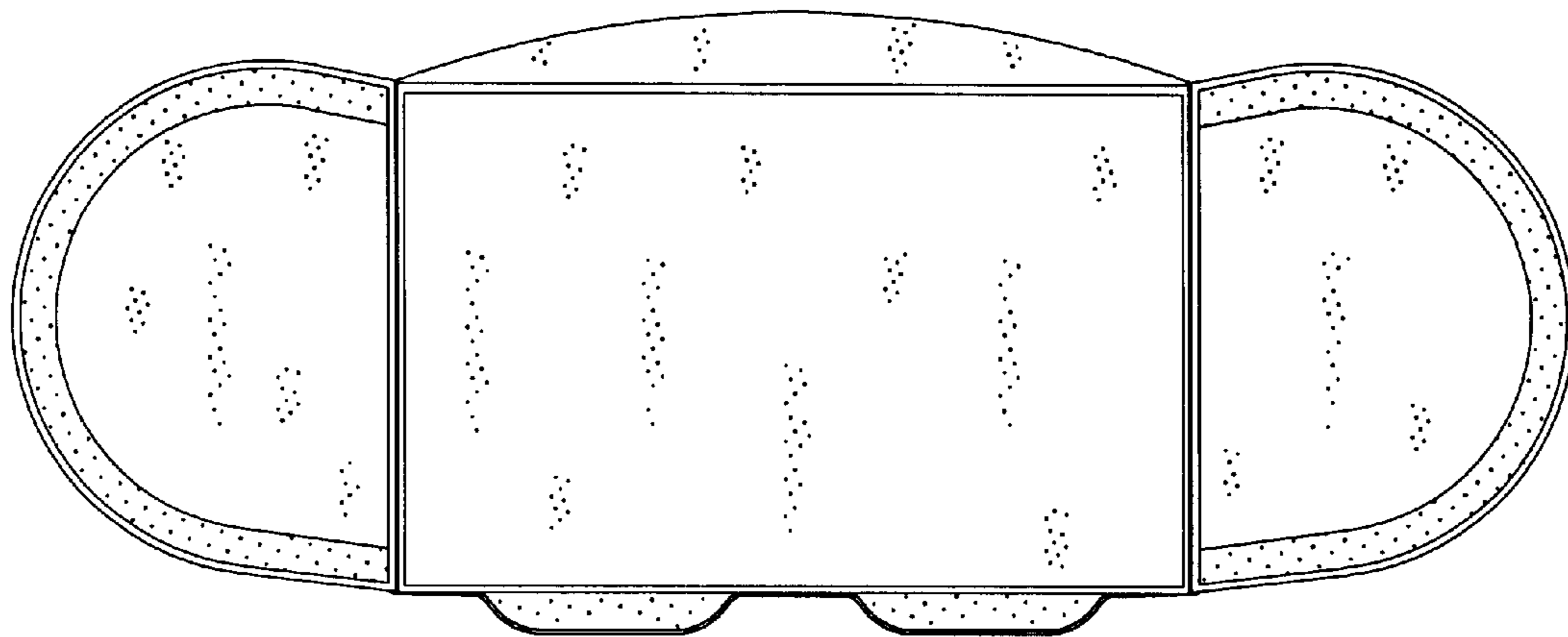


FIG. 8