

US00D525070S

(12) **United States Design Patent**  
**Moreno**

(10) **Patent No.:** **US D525,070 S**

(45) **Date of Patent:** **\*\* Jul. 18, 2006**

(54) **COFFEE MACHINE**

(75) Inventor: **Luis Moreno**, Vitoria-Alava (ES)

(73) Assignee: **Celaya, Emparanza y Galdos, Internacional, S.A.**, Vitoria-Alava (ES)

(\*\*) Term: **14 Years**

(21) Appl. No.: **29/231,078**

(22) Filed: **Jun. 2, 2005**

(51) **LOC (8) Cl.** ..... **07-01**

(52) **U.S. Cl.** ..... **D7/309; D7/311**

(58) **Field of Classification Search** ..... D7/309-311,  
D7/300; 222/129.1-129.4; 99/305, 306, 285,  
99/289 R, 279, 293; 141/100

See application file for complete search history.

(56) **References Cited**

**U.S. PATENT DOCUMENTS**

D327,601 S	*	7/1992	Beeren et al.	.....	D7/309
D340,381 S	*	10/1993	Mermillod	.....	D7/309
D345,279 S	*	3/1994	Sieger	.....	D7/309
D379,049 S	*	5/1997	Amiel	.....	D7/305
D381,237 S	*	7/1997	De'Longhi	.....	D7/309
D387,944 S	*	12/1997	Hippen	.....	D7/309
D400,046 S	*	10/1998	Seiffert	.....	D7/309

D409,875 S	*	5/1999	Alonge et al.	.....	D7/309
D414,371 S	*	9/1999	Seiffert	.....	D7/309
D478,765 S	*	8/2003	Seum et al.	.....	D7/308
D481,580 S	*	11/2003	Daniels et al.	.....	D7/309
D481,901 S	*	11/2003	Daniels et al.	.....	D7/309
D486,345 S	*	2/2004	Schwamkrug	.....	D7/309
D514,370 S	*	2/2006	Jacques	.....	D7/309
D514,371 S	*	2/2006	Yang et al.	.....	D7/309
D515,862 S	*	2/2006	Pighetti	.....	D7/309

\* cited by examiner

*Primary Examiner*—M. N. Pandozzi

(74) *Attorney, Agent, or Firm*—Egbert Law Offices

(57) **CLAIM**

I claim the ornamental design for a coffee machine, as shown and described.

**DESCRIPTION**

FIG. 1 is an upper perspective view of the coffee machine showing my design.

FIG. 2 is a side view thereof;

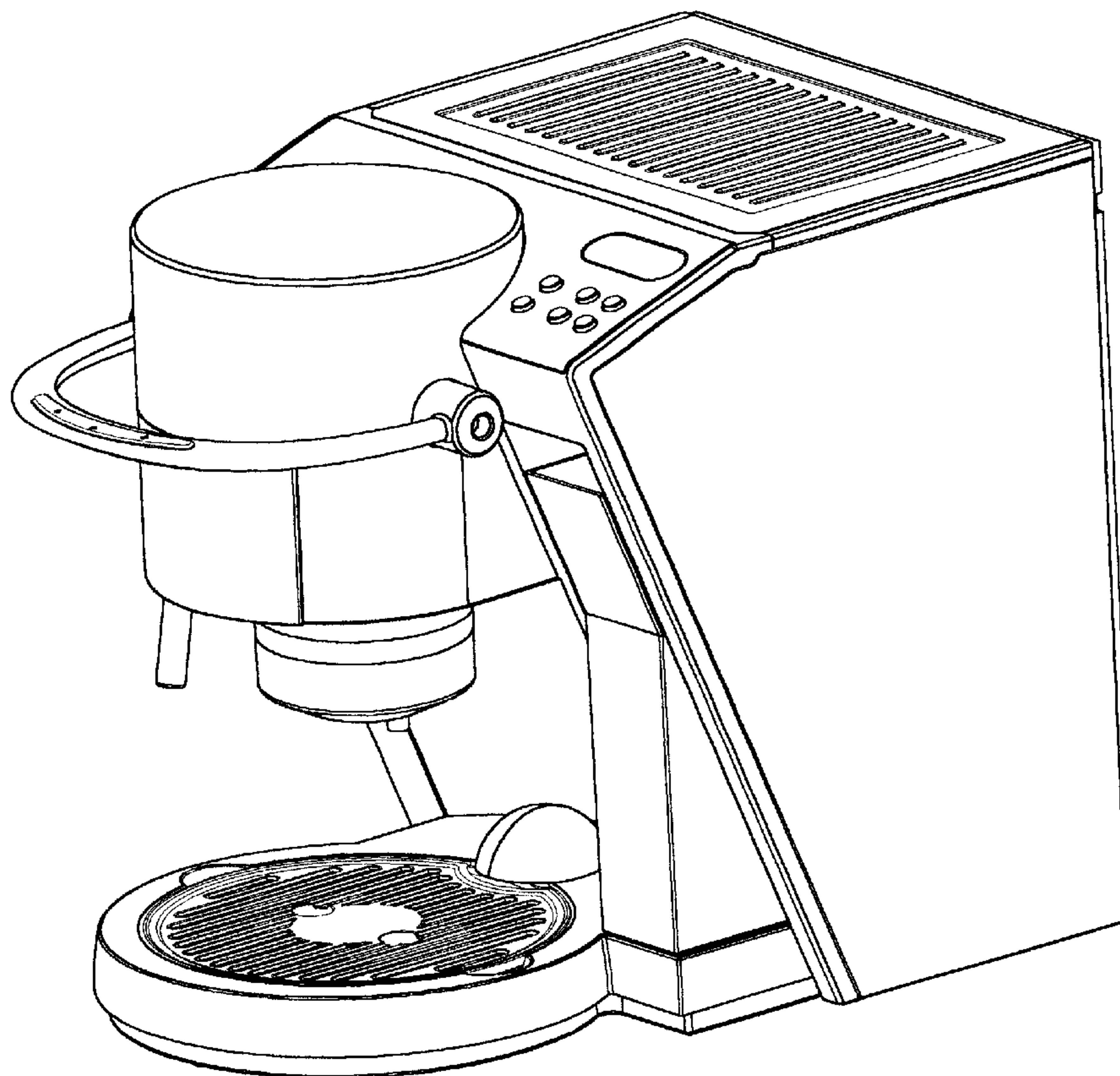
FIG. 3 is a front view thereof;

FIG. 4 is an opposite side view thereof;

FIG. 5 is a top plan view thereof; and,

FIG. 6 is a bottom view thereof.

**1 Claim, 6 Drawing Sheets**



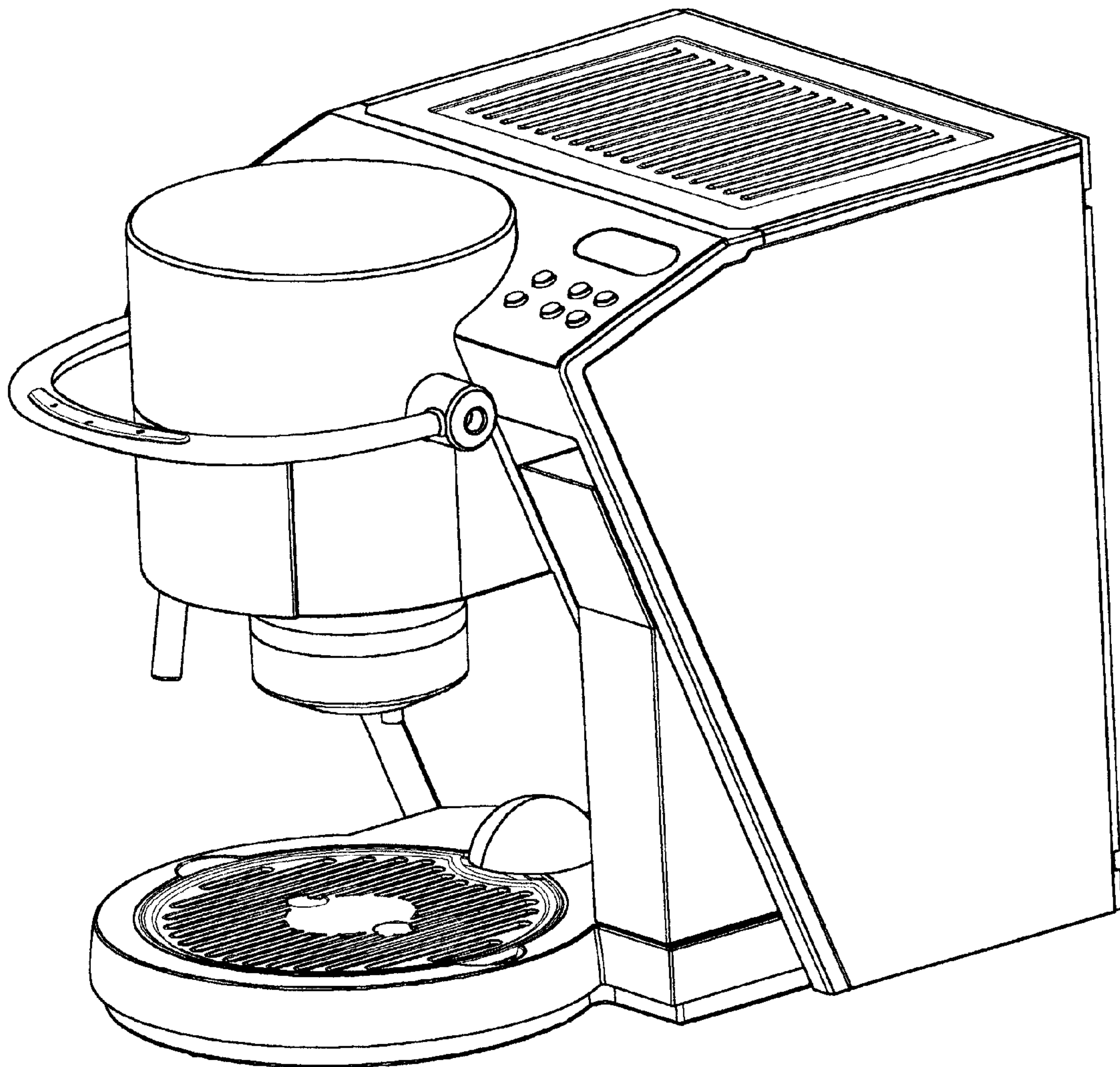


Fig 1

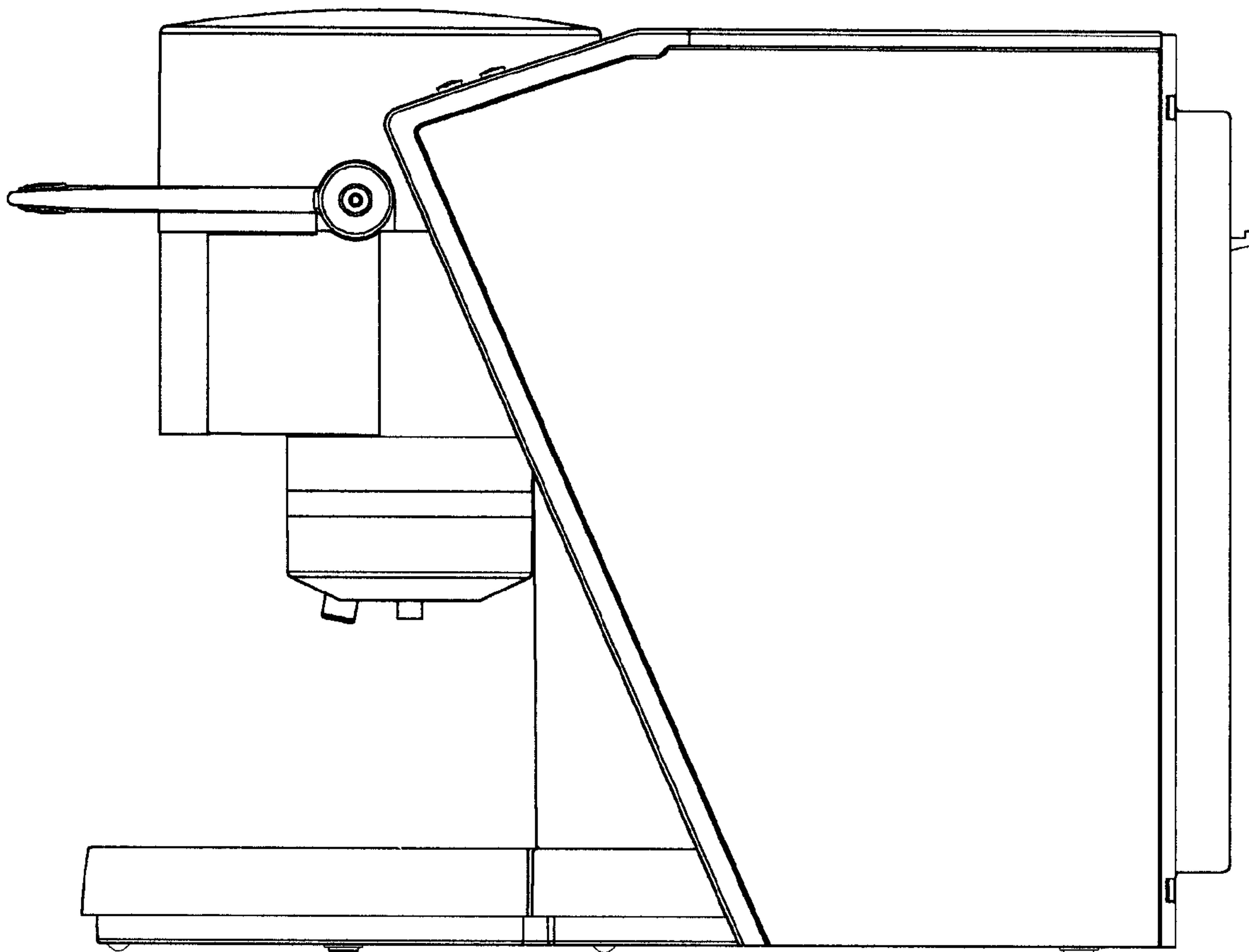
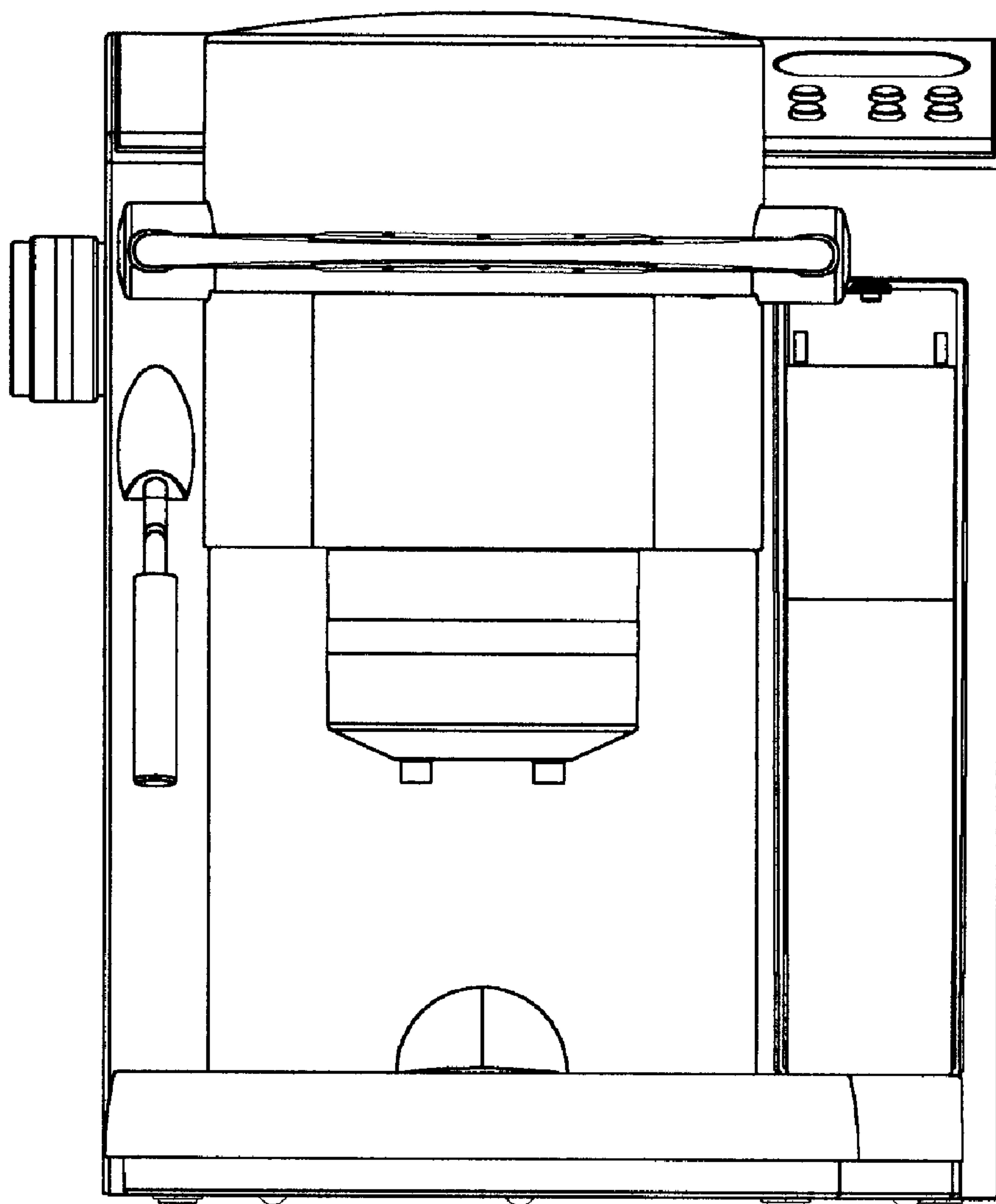
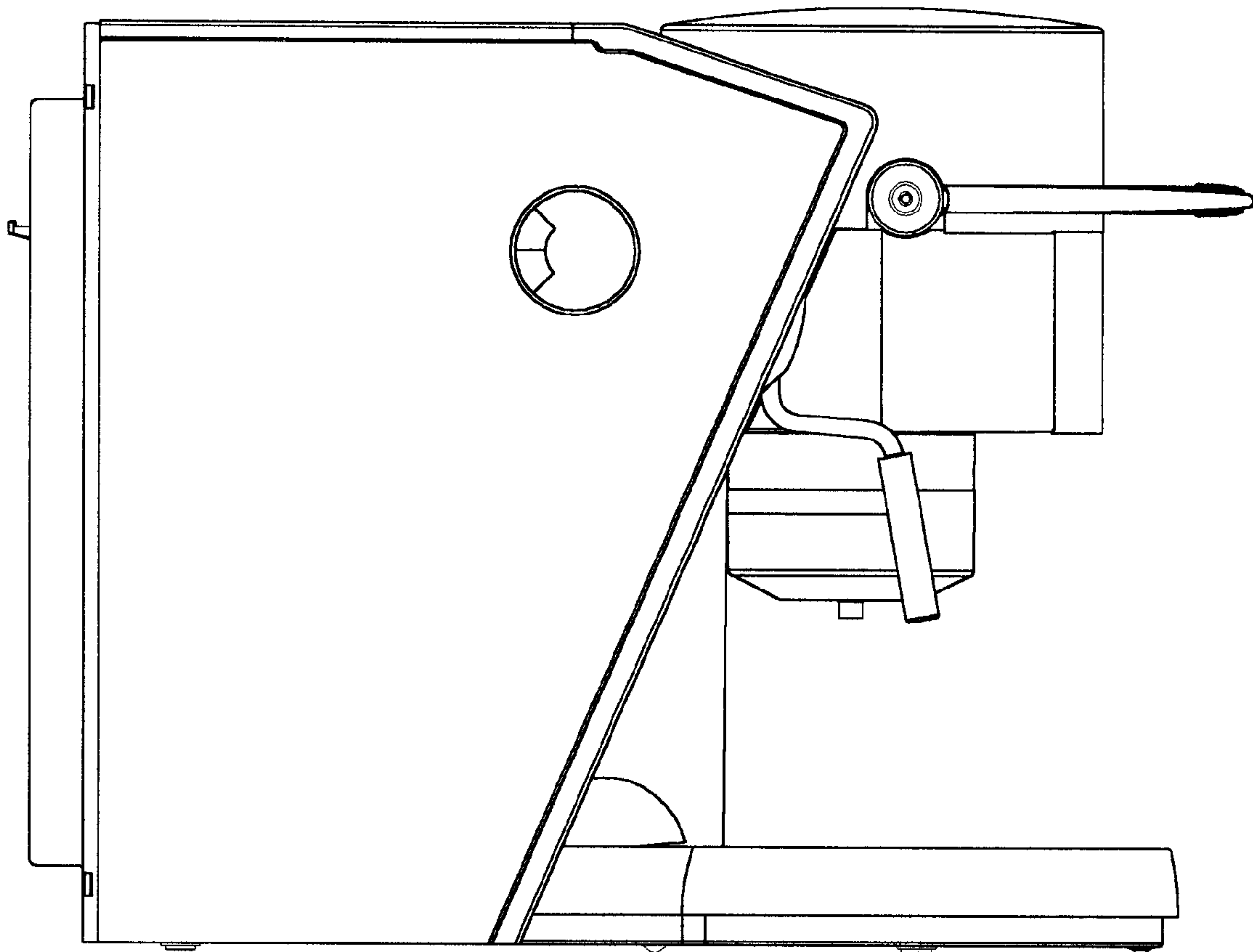


Fig 2

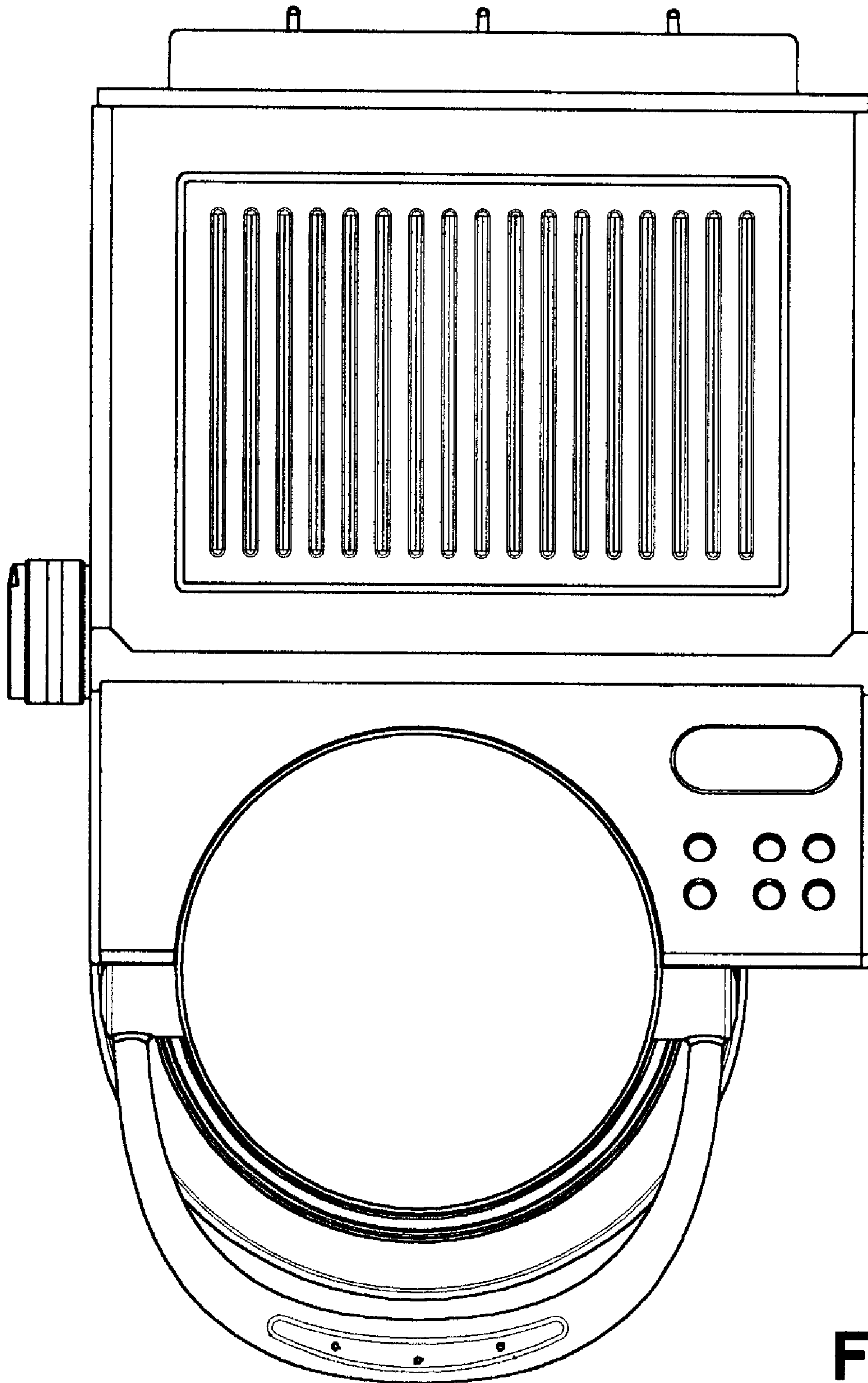


**Fig. 3**

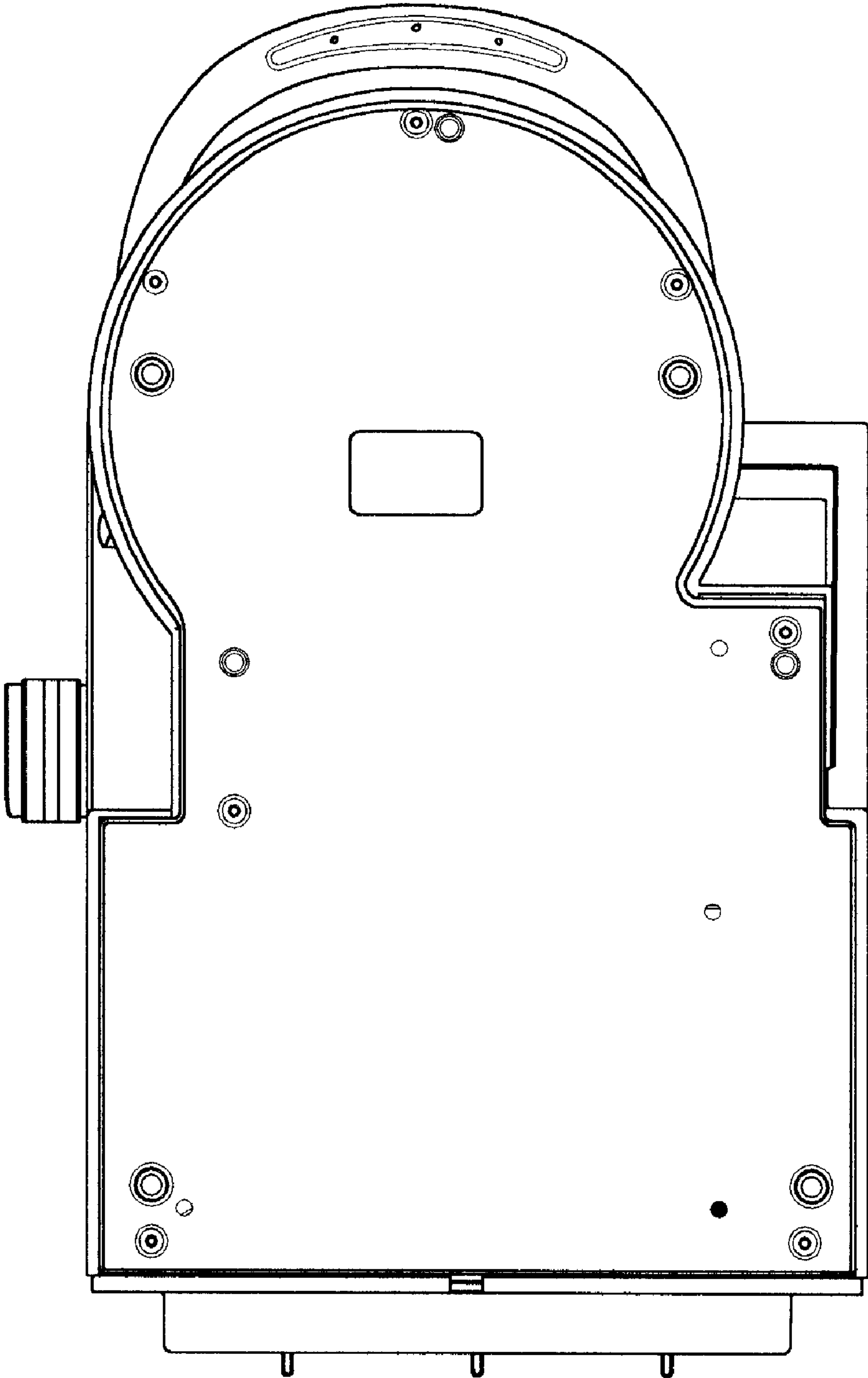


**Fig 4**





**Fig 5**



**Fig 6**