

US00D525063S

(12) **United States Design Patent**
Woods et al.

(10) **Patent No.: US D525,063 S**
(45) **Date of Patent: ** Jul. 18, 2006**

(54) **DISPENSER**

(75) Inventors: **Rick Woods**, Rockton, IL (US); **Scott Collins**, Milwaukee, WI (US); **Paul Omdoll**, Waukesha, WI (US); **Tom Wozny**, Elkhorn, WI (US)

(73) Assignee: **The Colman Group, Inc.**, Elkhorn, WI (US)

(**) Term: **14 Years**

(21) Appl. No.: **29/220,407**

(22) Filed: **Dec. 30, 2004**

(51) **LOC (8) Cl.** **20-02**

(52) **U.S. Cl.** **D6/518**

(58) **Field of Classification Search** D6/515-523;
206/225, 233, 389, 391, 812, 824; 211/13.1,
211/45; 222/173, 180; 221/26, 33, 282-283;
224/925; 242/570, 590; 248/309.1, 309.2,
248/905; D12/17, 19

See application file for complete search history.

(56) **References Cited**

U.S. PATENT DOCUMENTS

2,943,777	A	*	7/1960	Dvoracek	D6/520
D356,707	S	*	3/1995	Morand	D6/522
D363,628	S	*	10/1995	McCanless	D6/522
D386,922	S	*	12/1997	Sedlock	D6/522
D399,084	S	*	10/1998	Tramontina	D6/522
D403,905	S	*	1/1999	Tramontina	D6/522
D426,412	S	*	6/2000	Cameron	D6/522
D441,231	S	*	5/2001	Purcell et al.	D6/522
D441,578	S	*	5/2001	Andersson	D6/518

OTHER PUBLICATIONS

Kimberly-Clark In-Sight Series Dispensers Sell Sheet Page (2001).

In-Sight Series-i Universal Folded Hand Towel Dispenser by Kimberly Clark as shown at <http://housewares.gillroys.com> (Sep. 6, 2005).

In-Sight Series-i Lev-R-Matic Hard Roll Hand Towel Dispenser by Kimberly Clark as shown at <http://housewares.gillroys.com> (Sep. 6, 2005).

* cited by examiner

Primary Examiner—Brian N Vinson

(74) *Attorney, Agent, or Firm*—Boyle Fredrickson Newholm Stein & Gratz, S.C.

(57) **CLAIM**

The ornamental design for a dispenser, as shown and described.

DESCRIPTION

FIG. 1 is a perspective view of a dispenser showing a first embodiment of our new design;

FIG. 2 is a front elevational view thereof;

FIG. 3 is a left side elevational view thereof;

FIG. 4 is a right side elevational view thereof;

FIG. 5 is a top plan view thereof;

FIG. 6 is a bottom plan view thereof;

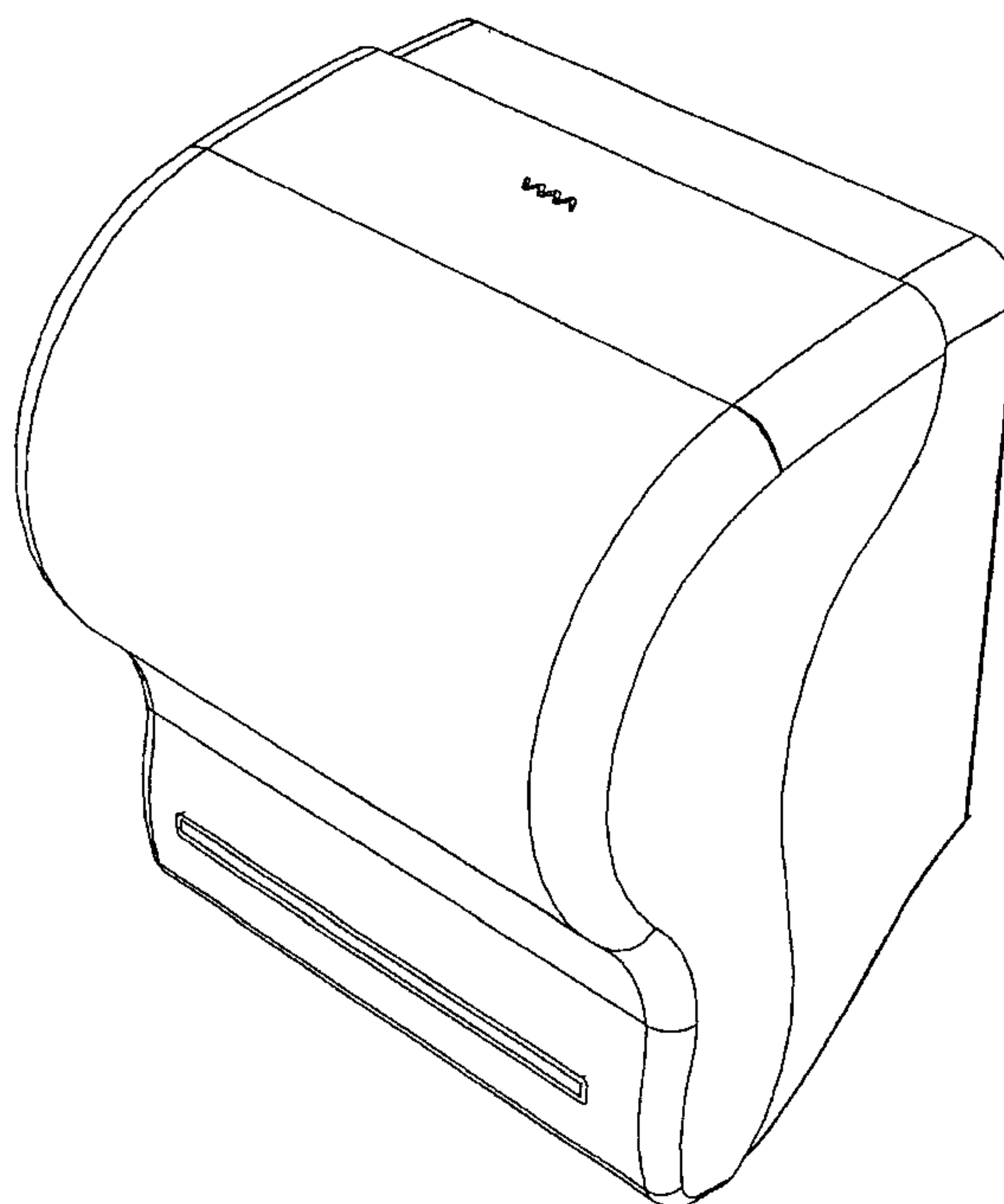
FIG. 7 is a perspective view of a dispenser showing a second embodiment of our new design;

FIG. 8 is a top plan view thereof;

FIG. 9 is a left side elevational view thereof; and,

FIG. 10 is a right side elevational view thereof.

1 Claim, 10 Drawing Sheets



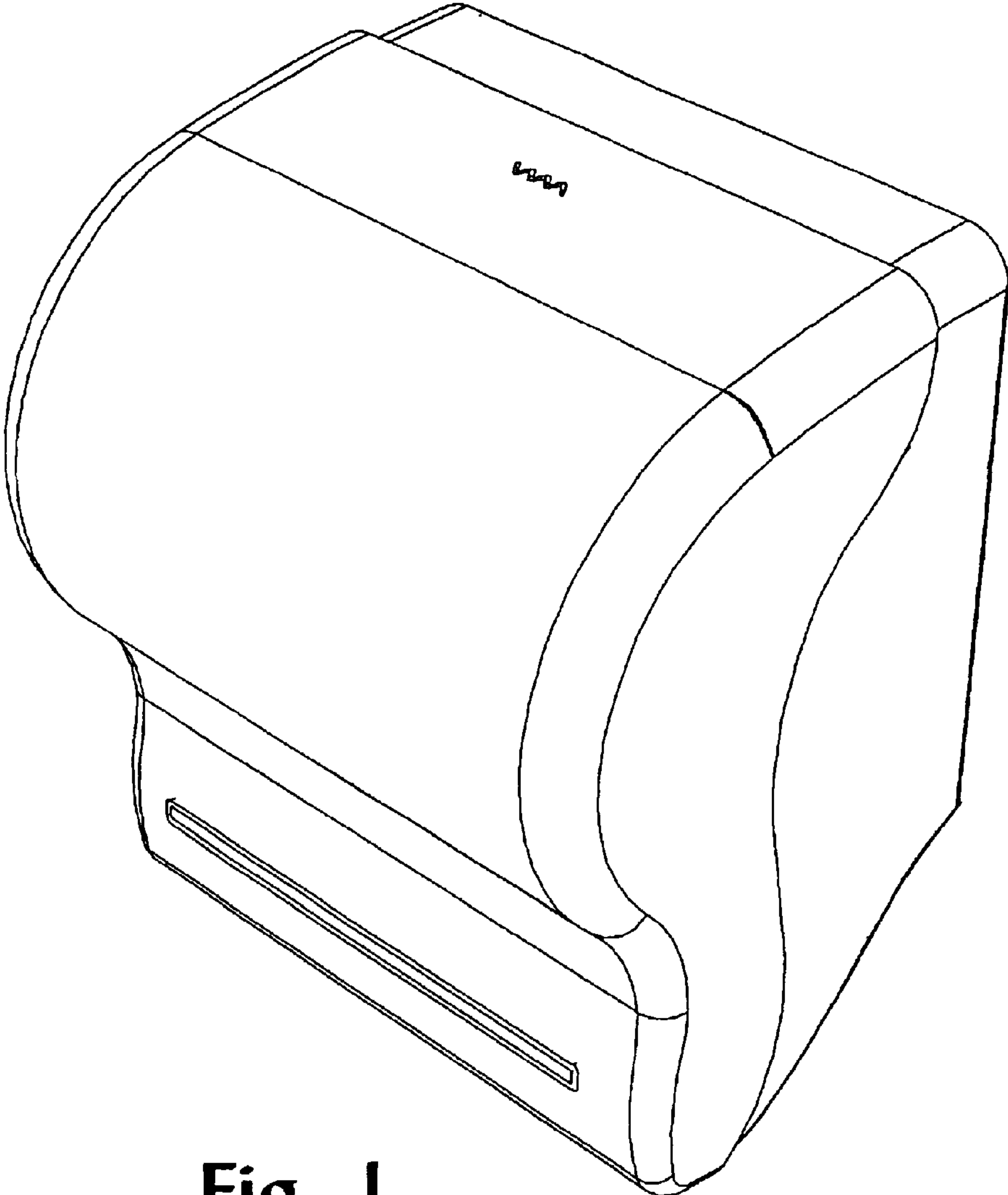


Fig. 1

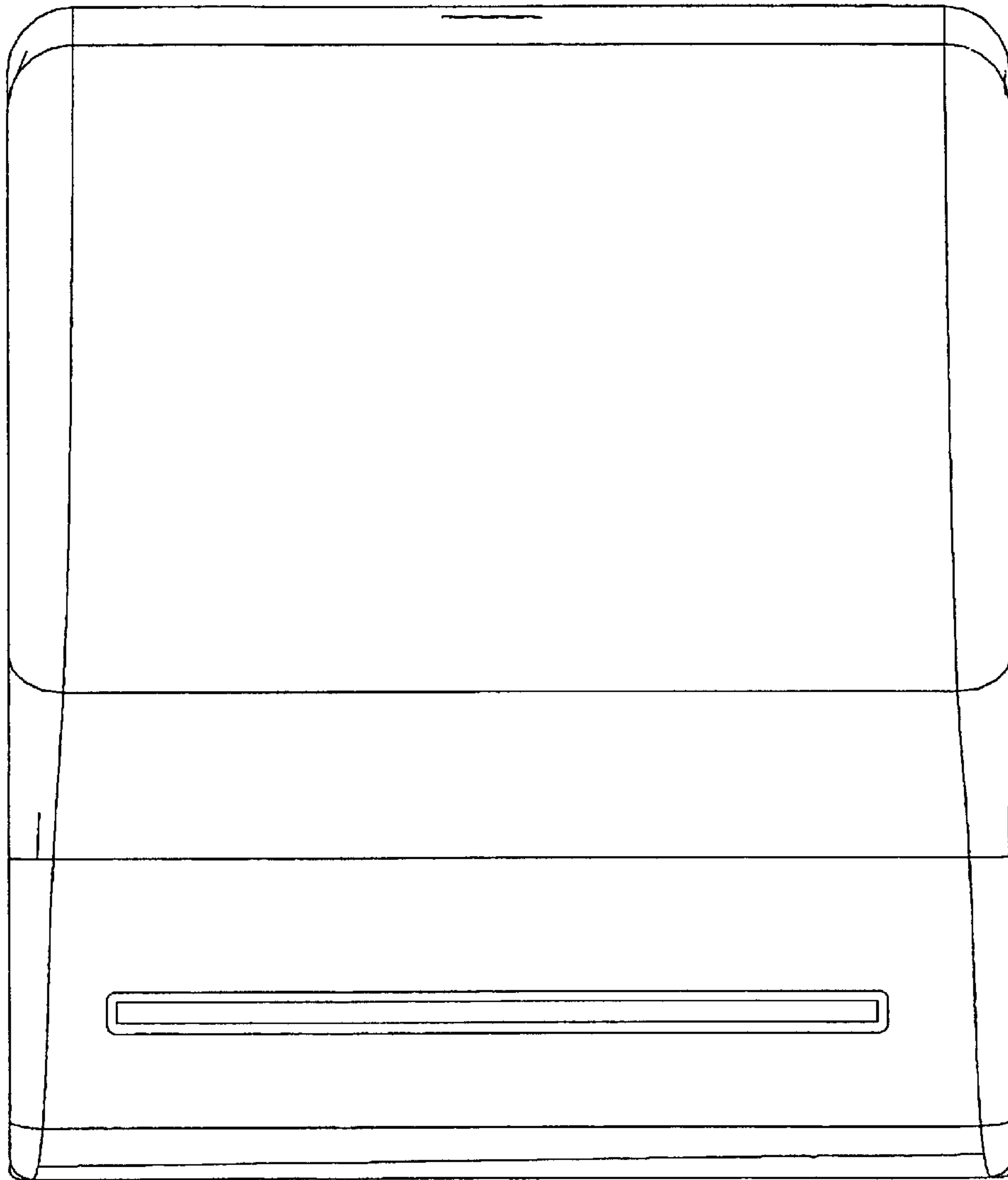


Fig. 2

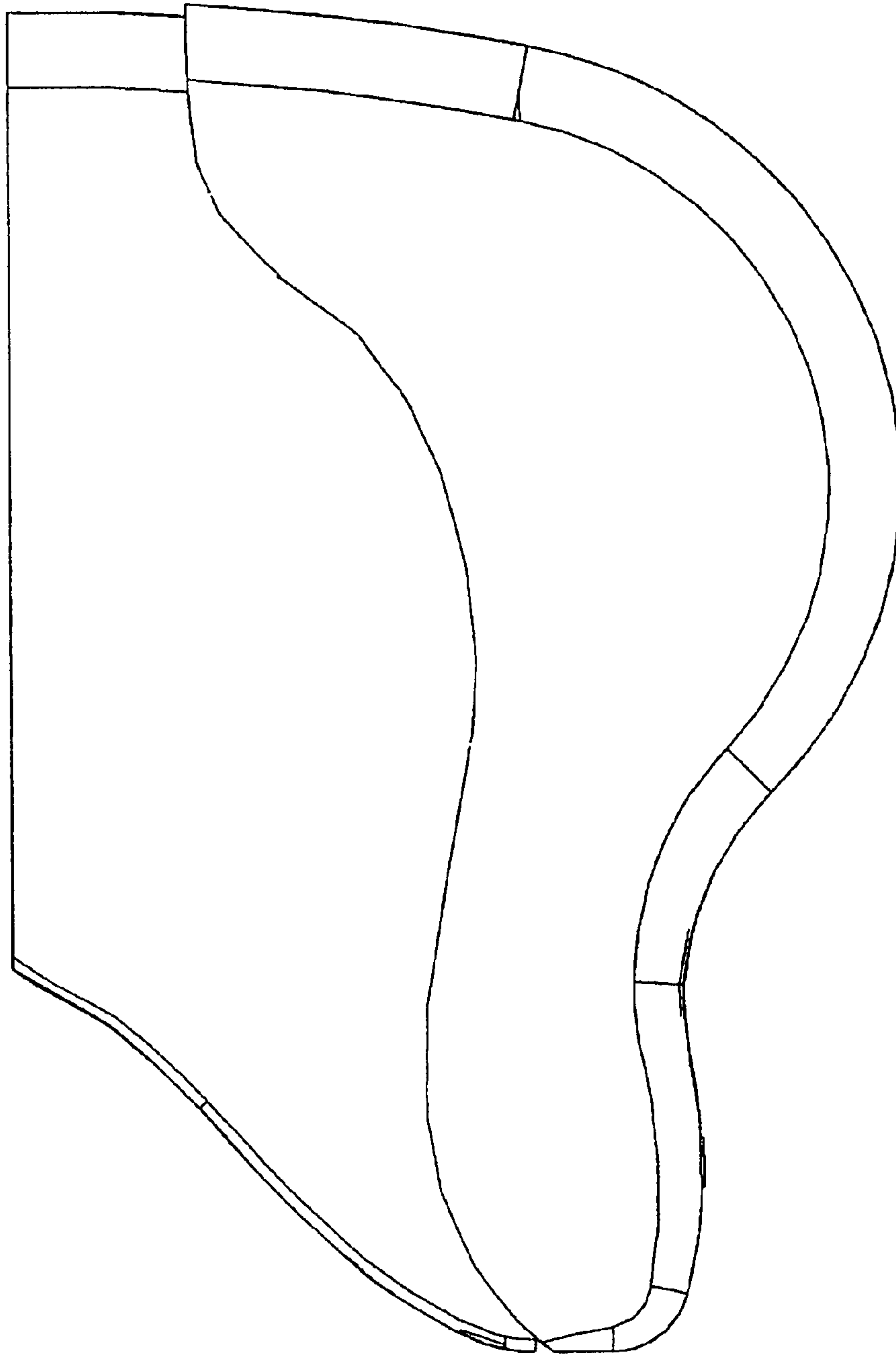


Fig. 3

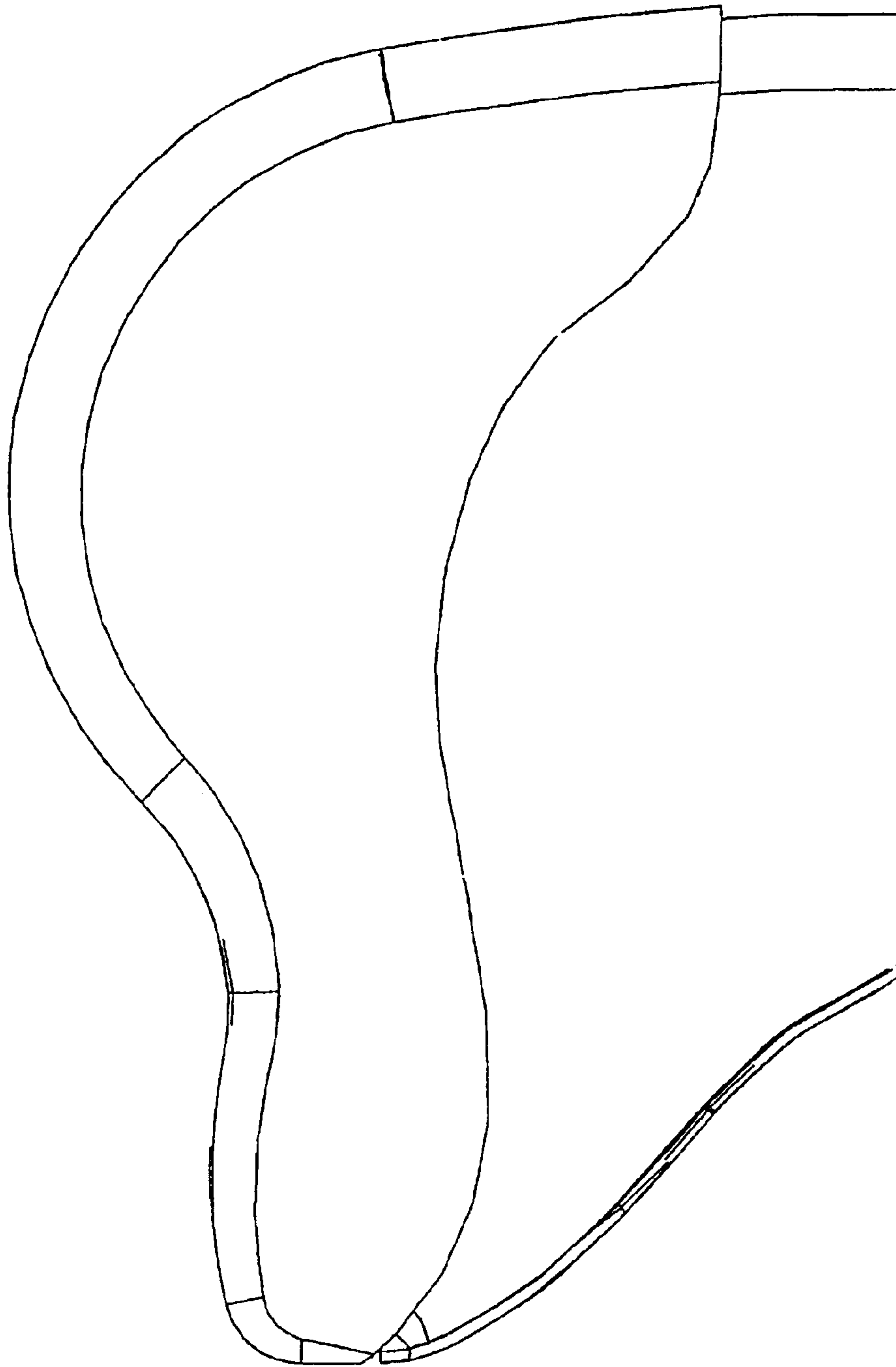


Fig. 4

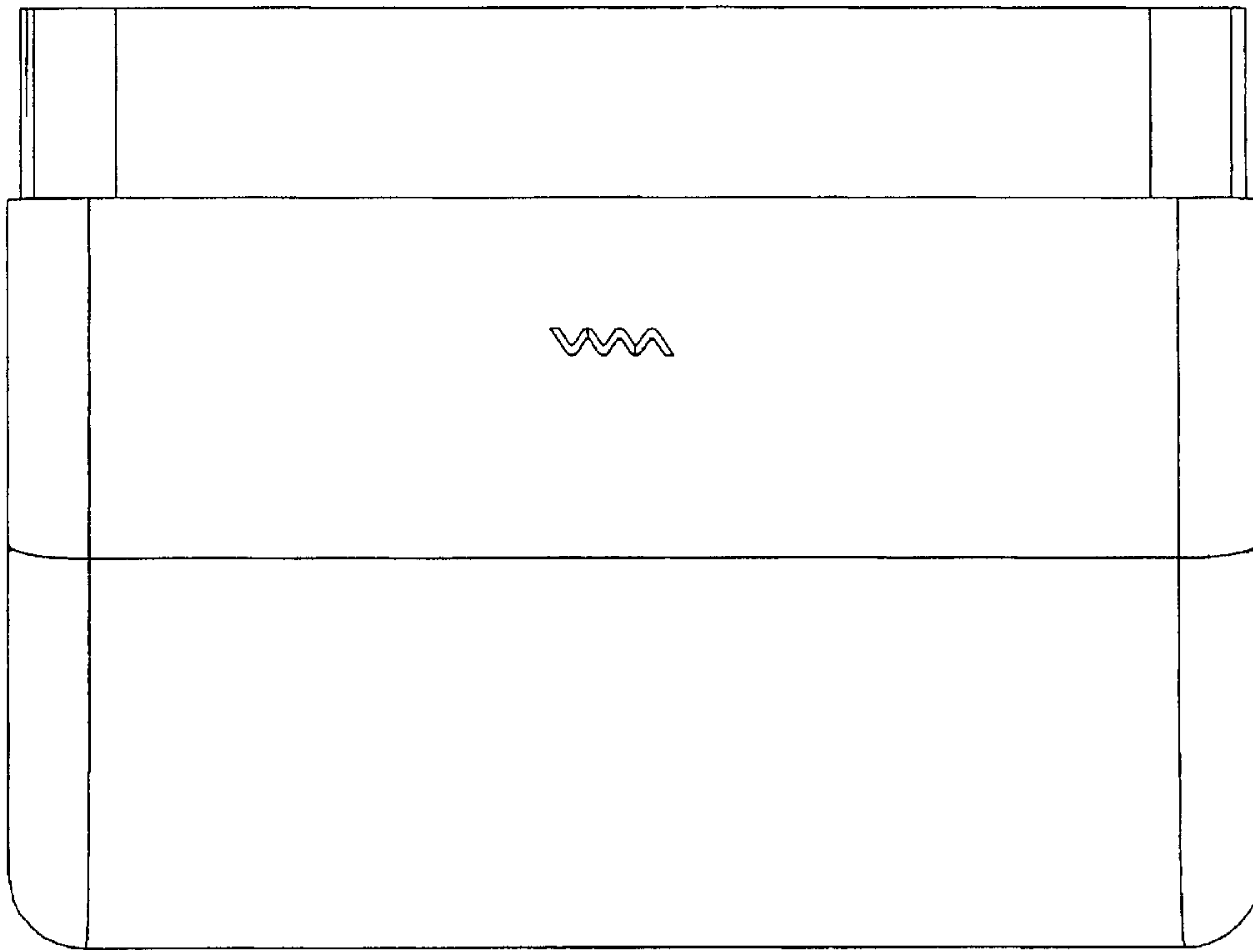


Fig. 5

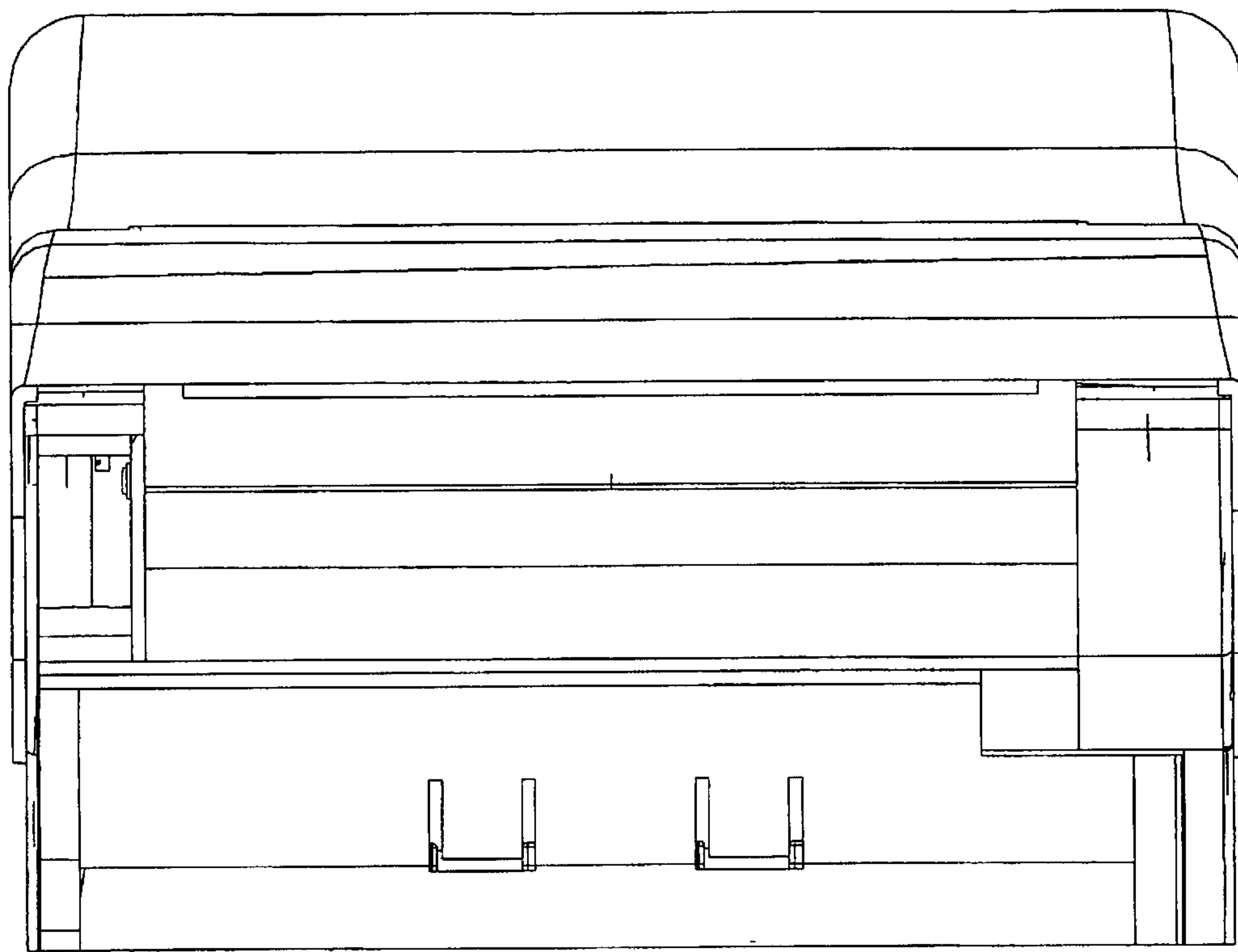


Fig. 6

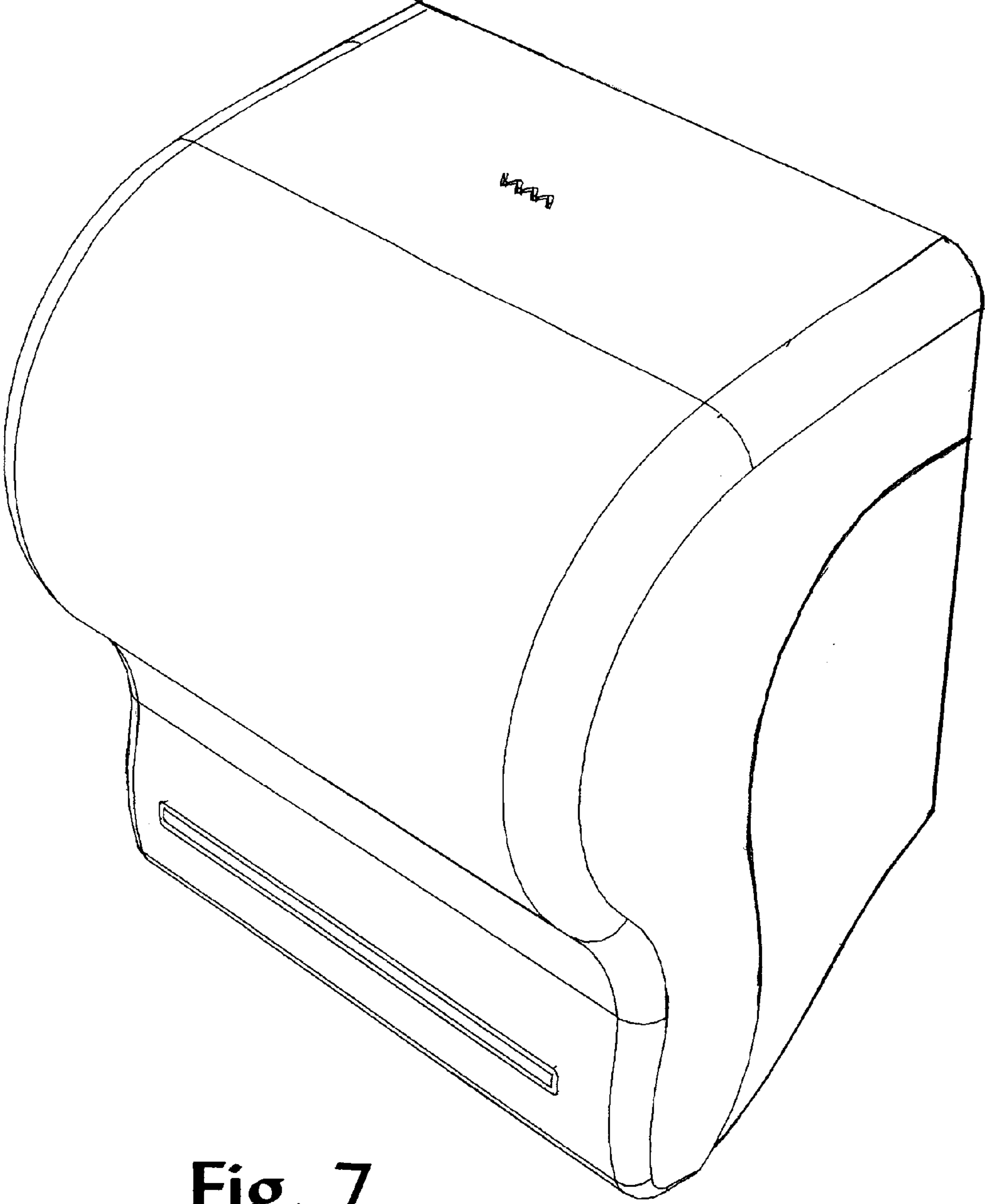


Fig. 7

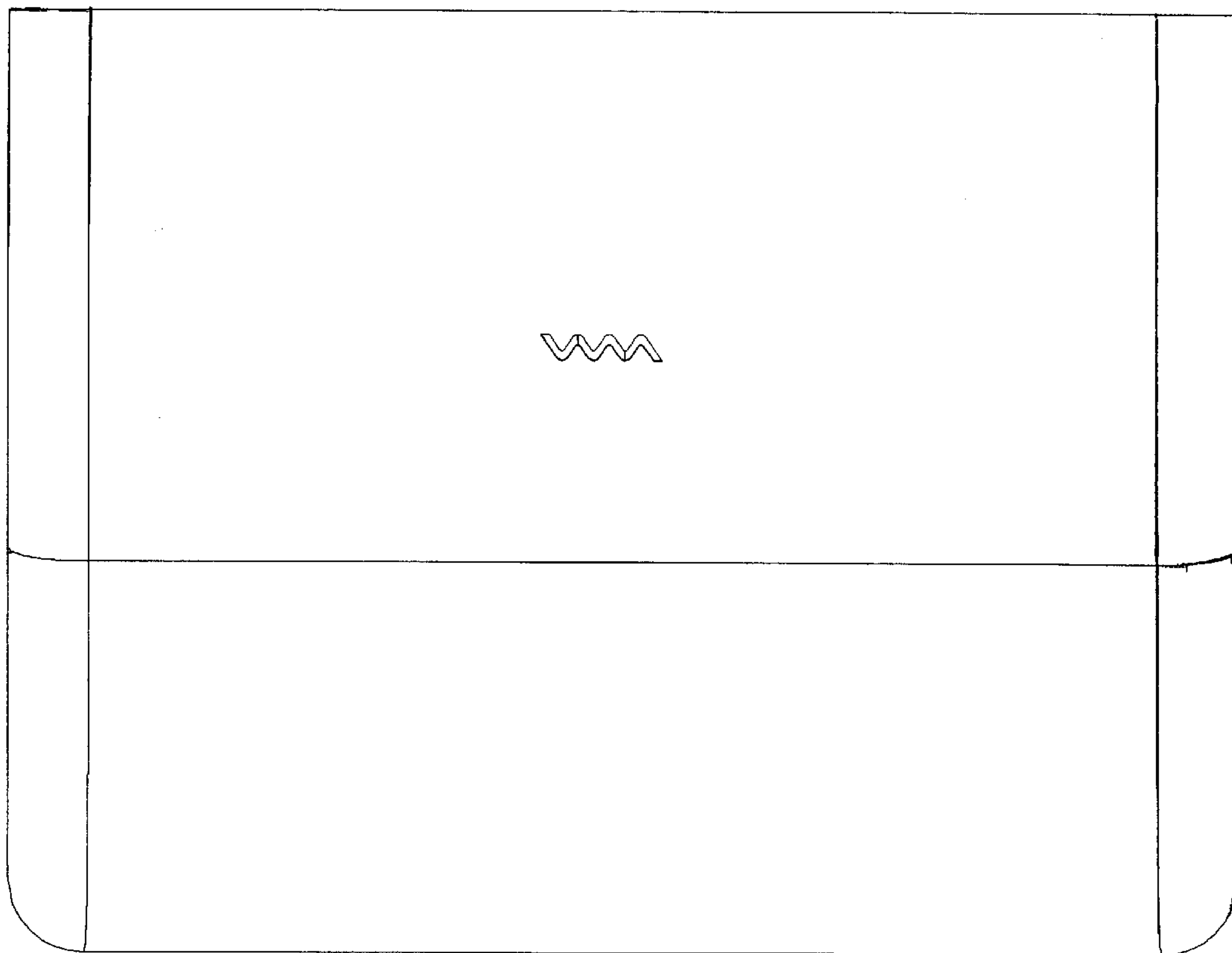


Fig. 8

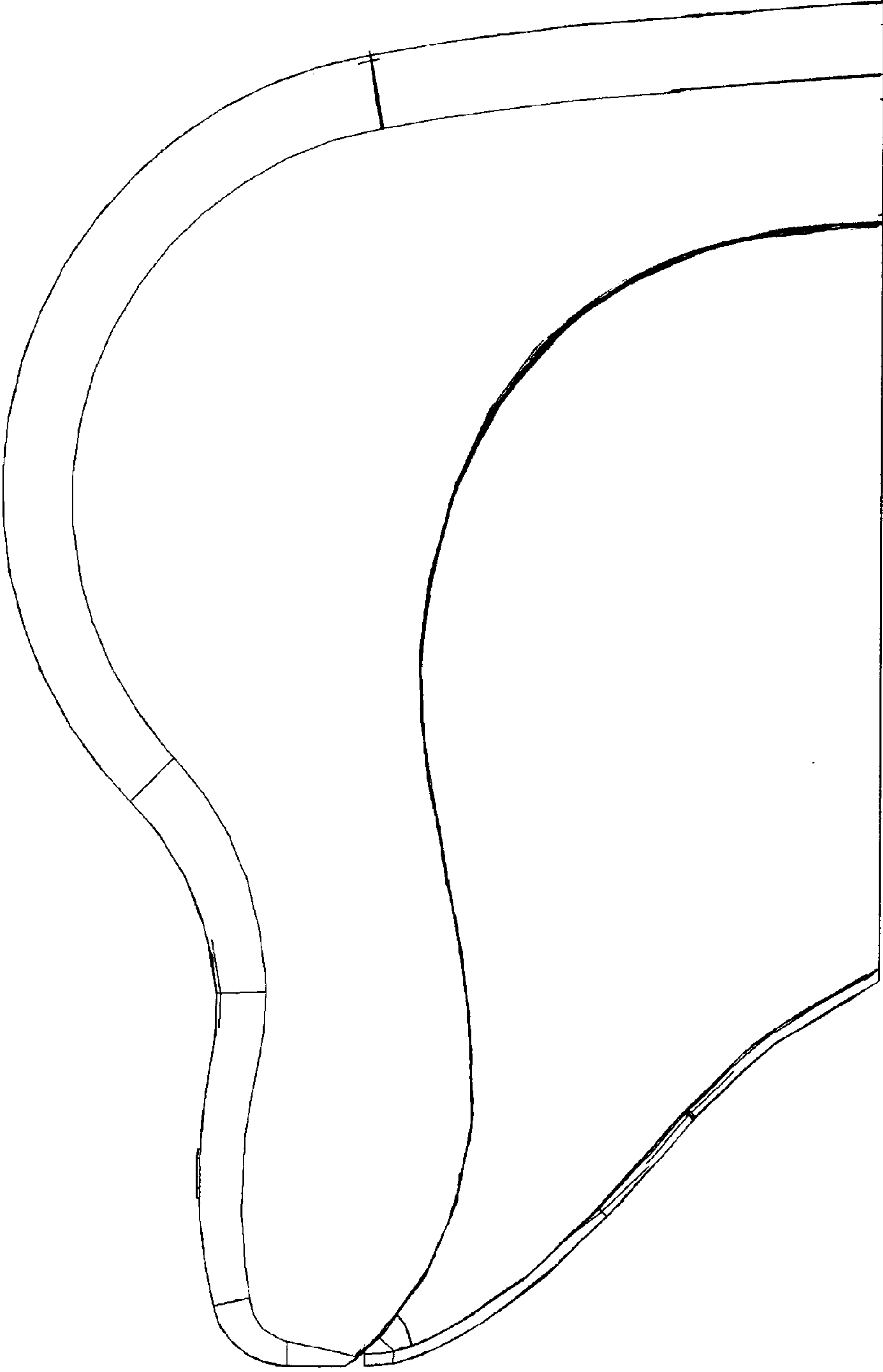


Fig. 9

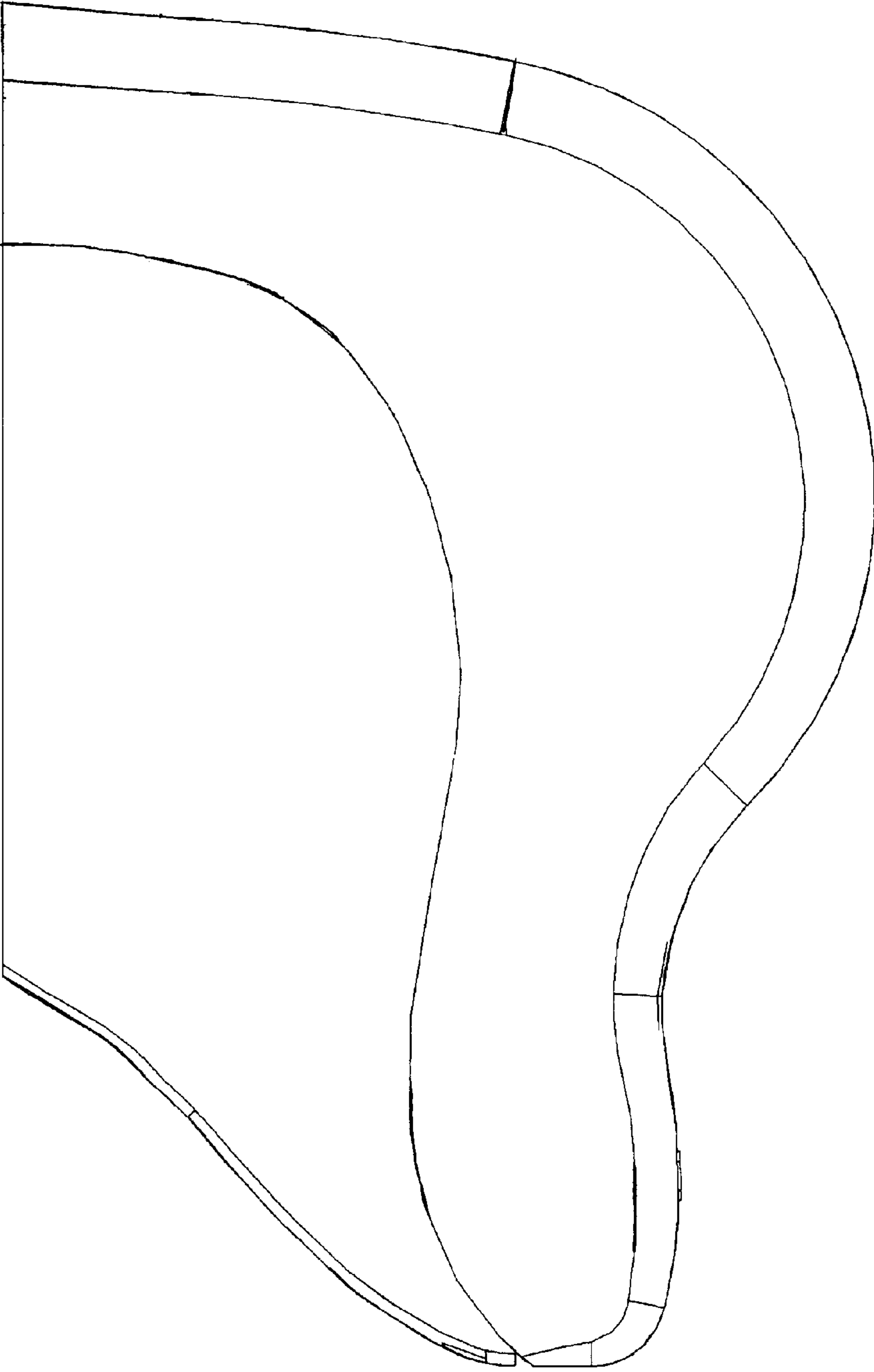


Fig. 10