



US00D525062S

(12) **United States Design Patent**
Abdi et al.

(10) **Patent No.:** **US D525,062 S**

(45) **Date of Patent:** **** Jul. 18, 2006**

(54) **EXTENSIBLE OVER THE DOOR SHOE RACK**

6,138,841 A * 10/2000 Klein et al. 211/113
D493,289 S * 7/2004 Klein et al. D6/320

(75) Inventors: **Abraham Abdi**, Orange, CA (US);
Charles L. Coulter, Riverside, CA (US)

* cited by examiner

Primary Examiner—Brian N Vinson
(74) *Attorney, Agent, or Firm*—G. Donald Weber, Jr.

(73) Assignee: **Merrick Engineering Inc.**, Corona, CA (US)

(57) **CLAIM**

(**) Term: **14 Years**

We claim the ornamental design for an extensible over the door shoe rack, as shown and described.

(21) Appl. No.: **29/230,478**

DESCRIPTION

(22) Filed: **May 24, 2005**

(51) **LOC (8) Cl.** **06-06**

(52) **U.S. Cl.** **D6/514**

(58) **Field of Classification Search** D6/512–514,
D6/570, 315, 574, 320, 548, 549; 211/13.1,
211/34–39, 85.31, 113; 248/309.2
See application file for complete search history.

FIG. 1 is a perspective view of an extensible over the door shoe rack showing our new design;
FIG. 2 is a front elevational view thereof;
FIG. 3 is a rear elevational view thereof;
FIG. 4 is a top plan view thereof;
FIG. 5 is a bottom plan view thereof;
FIG. 6 is a left side elevational view thereof, the right side being a mirror image of that shown;
FIG. 7 is a vertical cross-sectional view thereof, taken in the direction of line 7—7 of FIG. 2;
FIG. 8 is a fragmentary vertical cross-sectional view thereof, taken in the direction of line 8—8 of FIG. 6; and,
FIG. 9 is a fragmentary vertical cross-sectional view thereof, taken in the direction of line 9—9 of FIG. 6.

(56) **References Cited**

U.S. PATENT DOCUMENTS

D354,412 S * 1/1995 Emery D6/548
D367,793 S * 3/1996 Macek D6/548
D382,434 S * 8/1997 Klein et al. D6/570
D403,187 S * 12/1998 Klein et al. D6/513

1 Claim, 5 Drawing Sheets

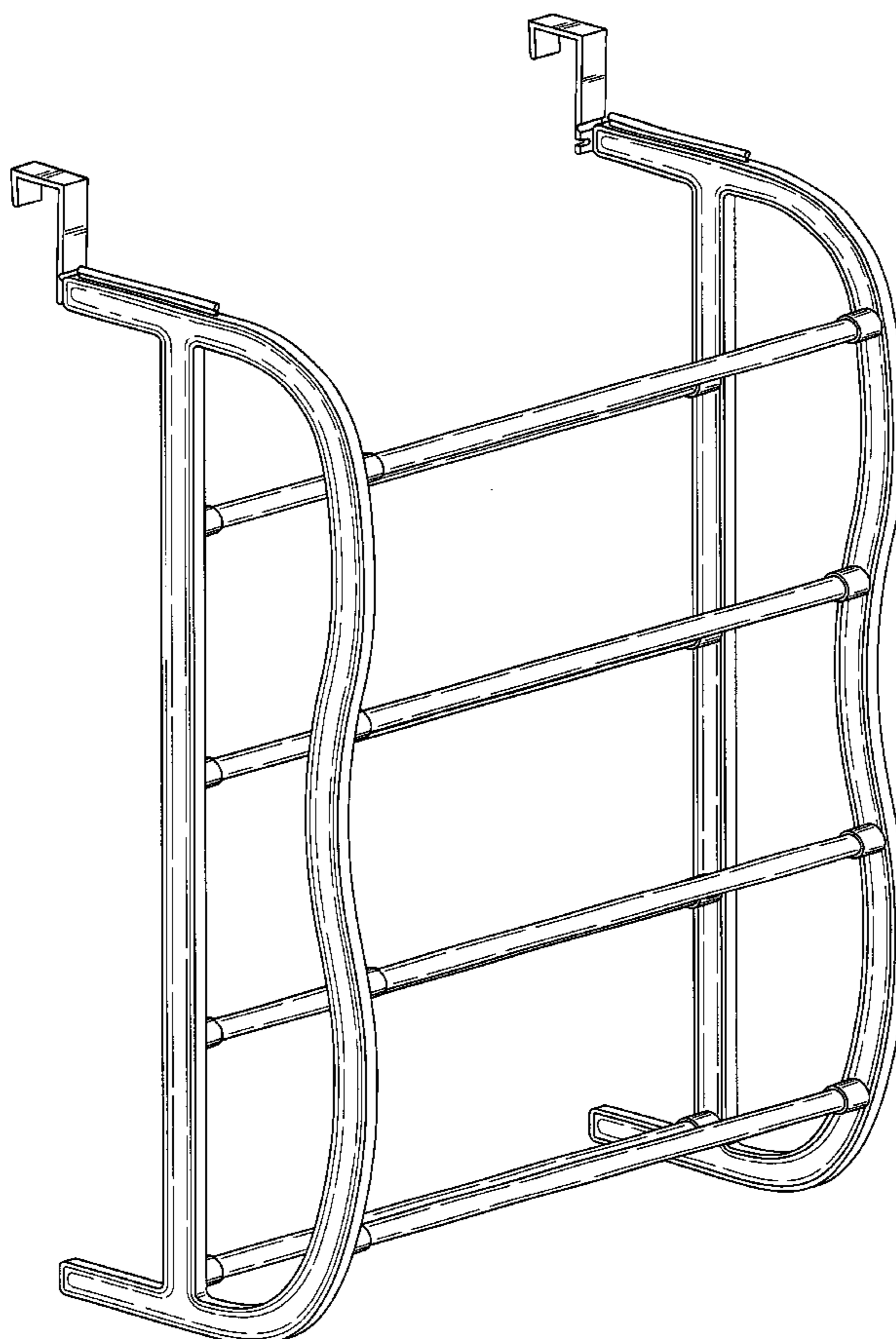
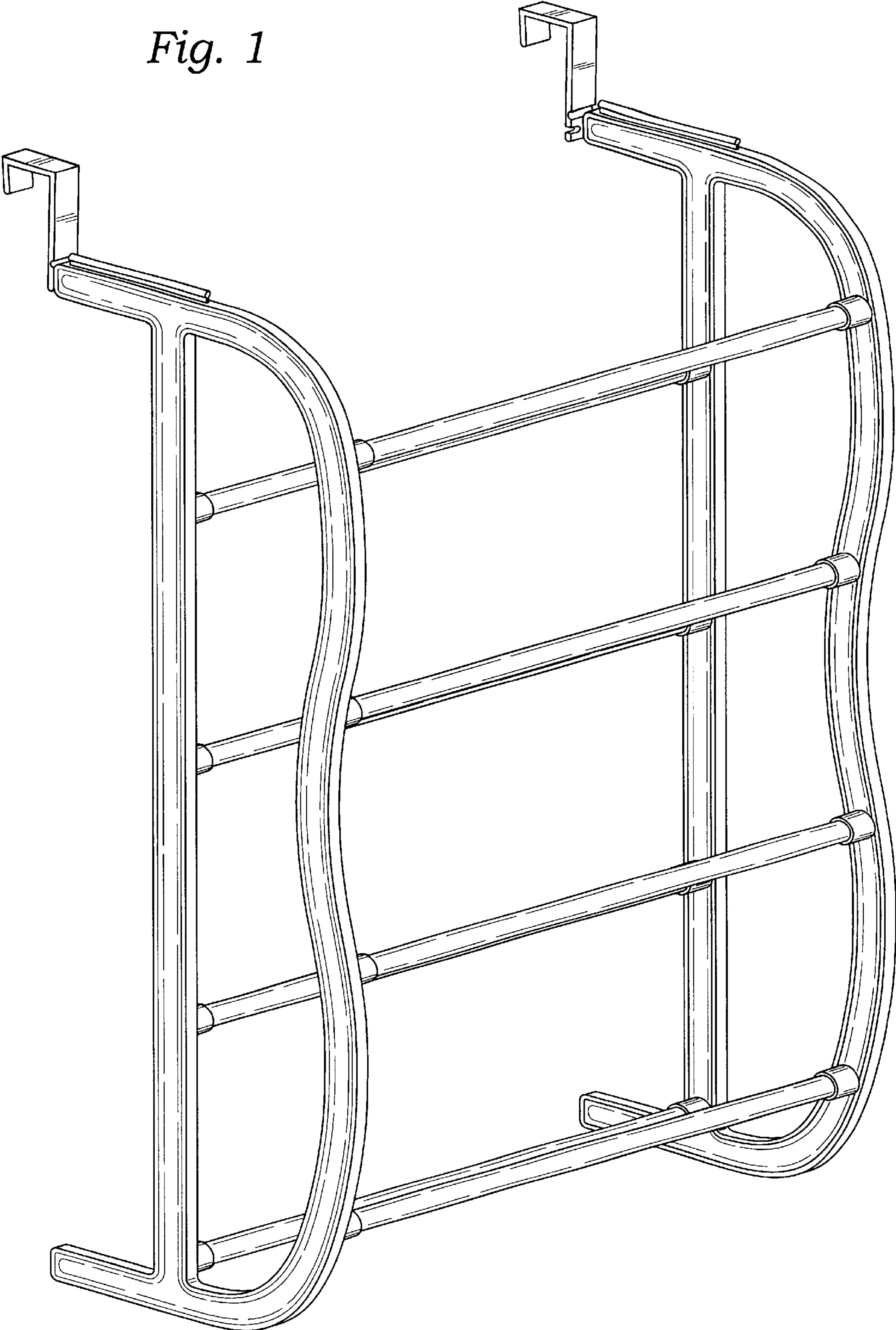


Fig. 1



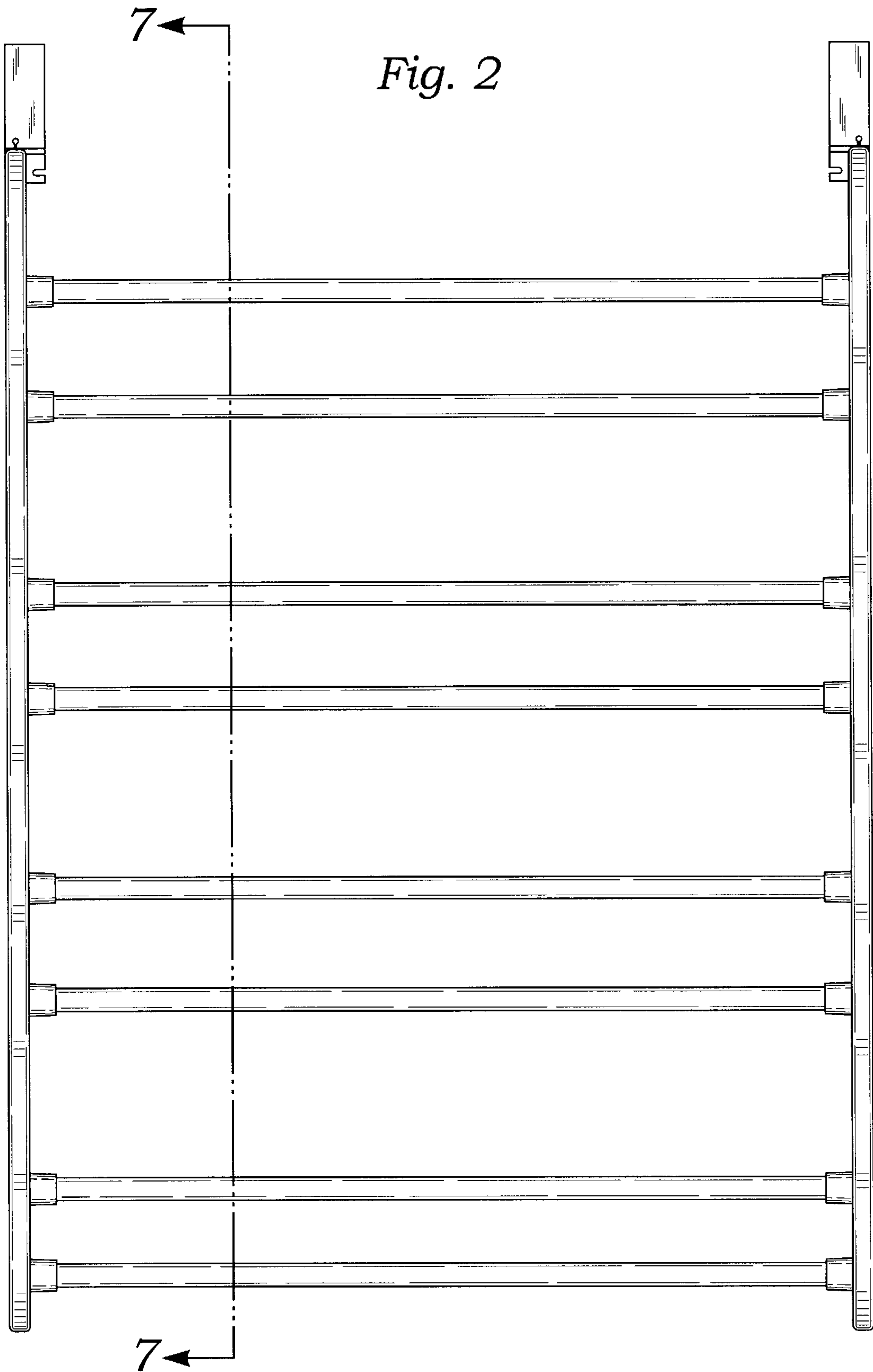


Fig. 3

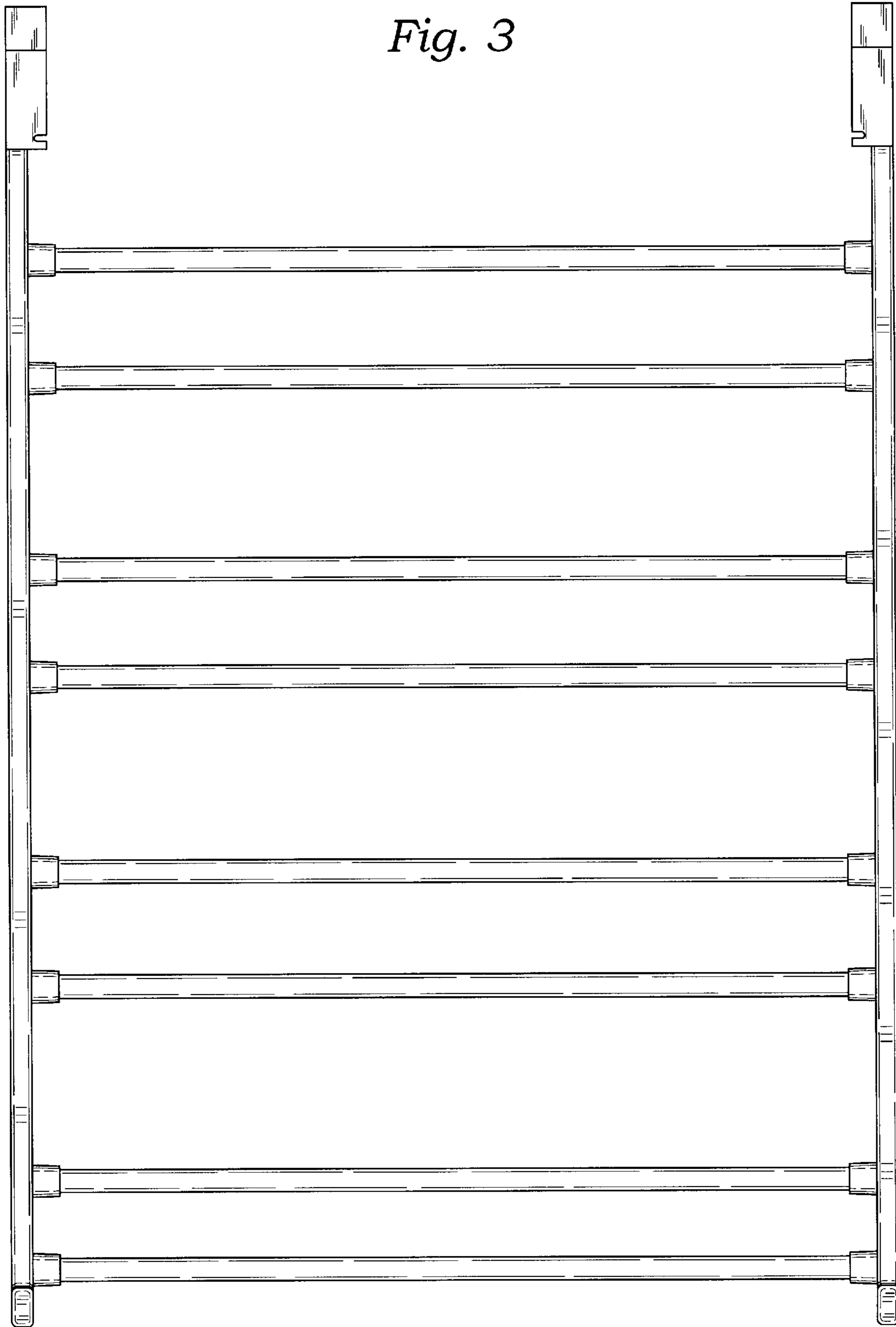


Fig. 4

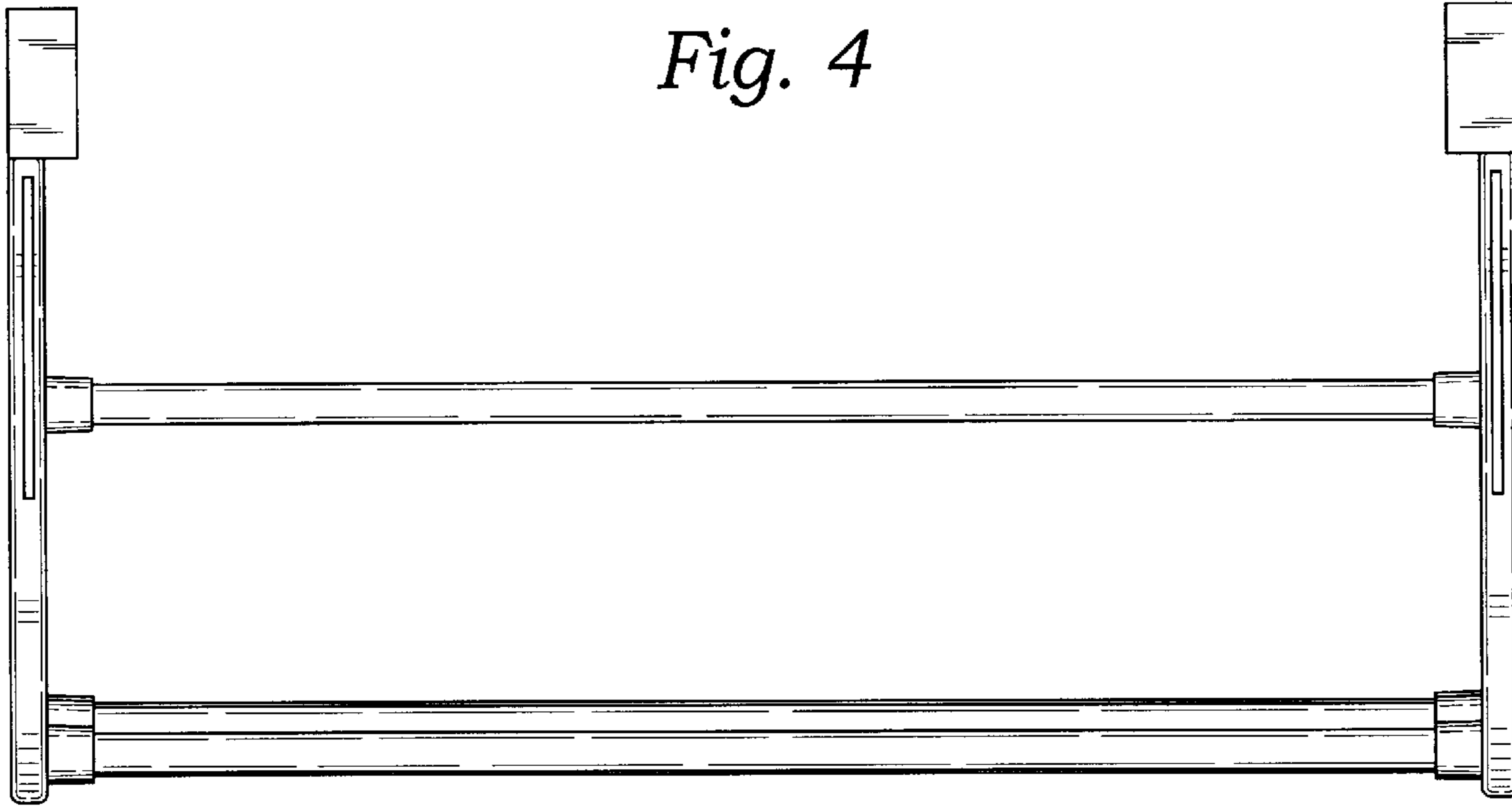


Fig. 5

